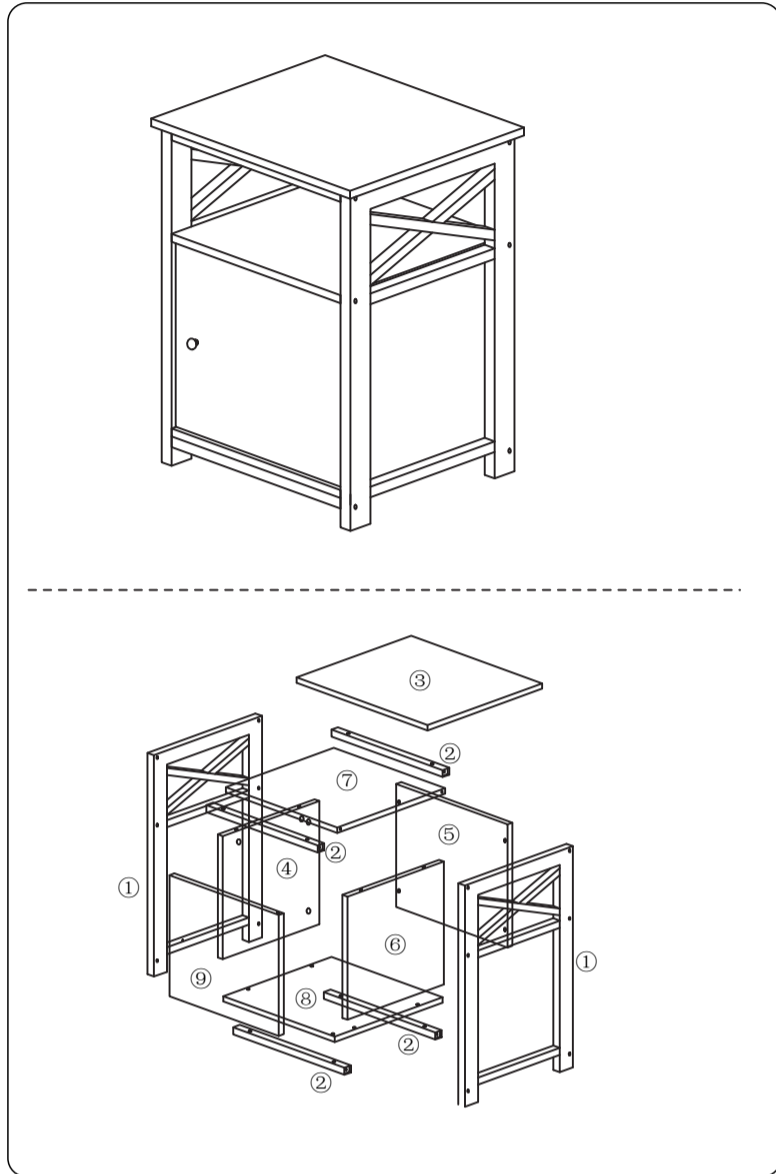


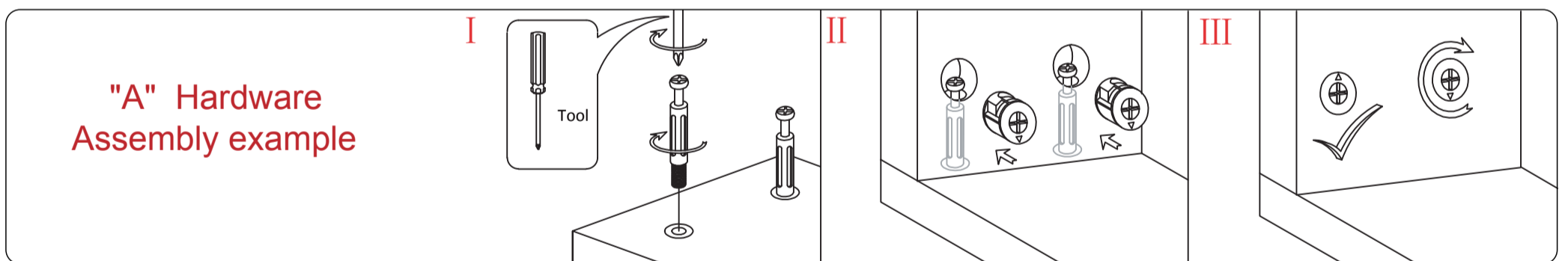
Assembly Instructions

Tips!

Check all the components & screws before assembly. Do not install in case part is missing, contact us to get.

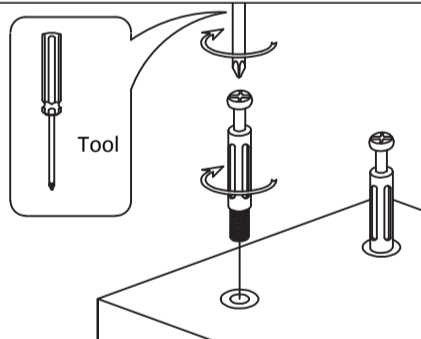


Components			Screws&Tools		
1		2	A		8
2		4	B		8
3		1	C		8
4		1	D		4
5		1	E		4
6		1	F		1
7		1	G		2
8		1			
9		1			

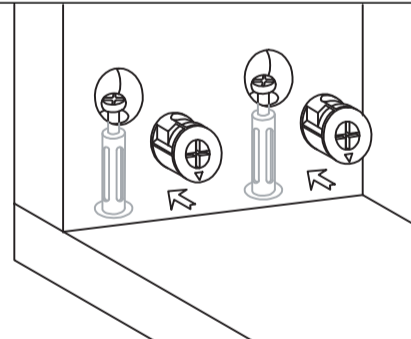


"A" Hardware
Assembly example

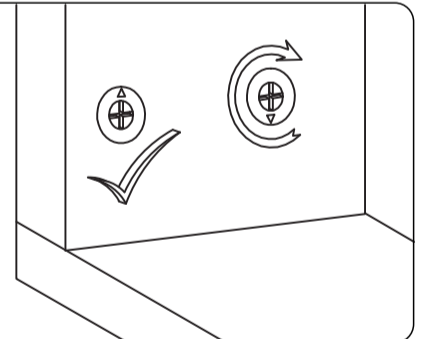
I



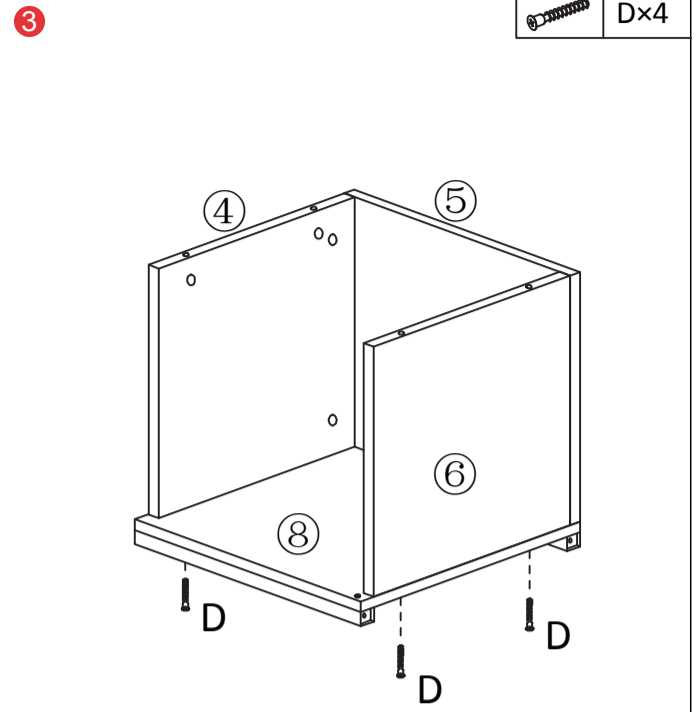
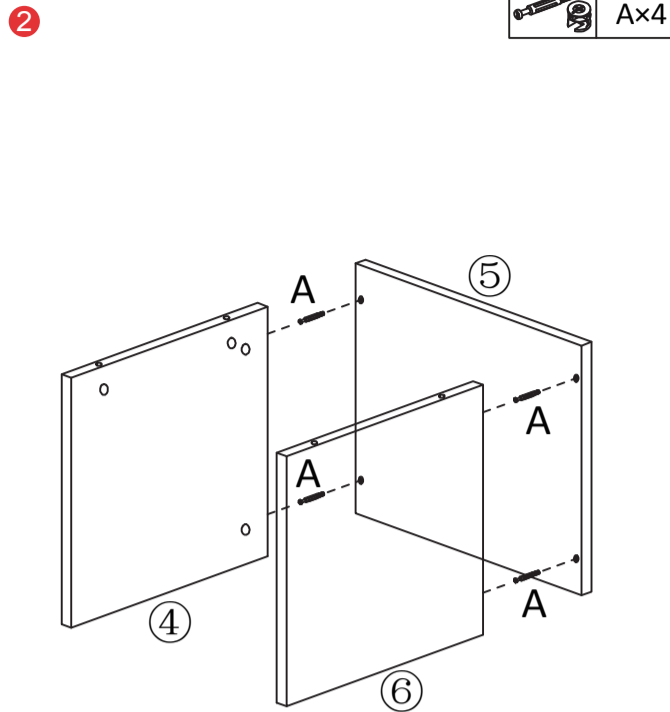
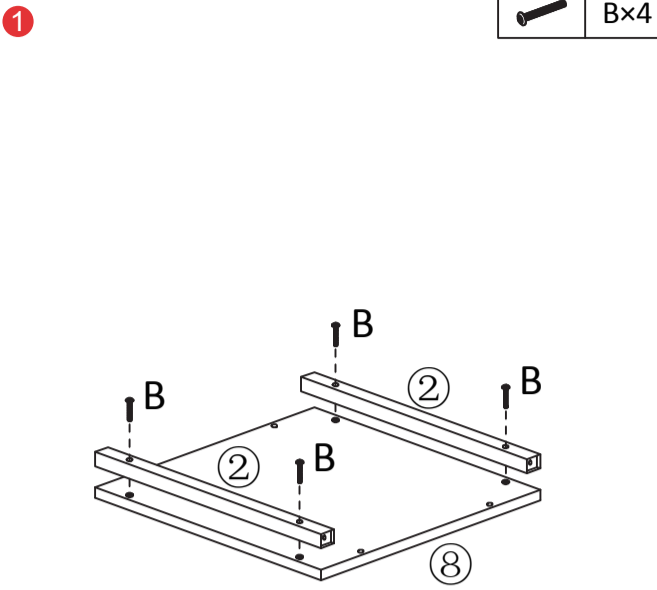
II



III

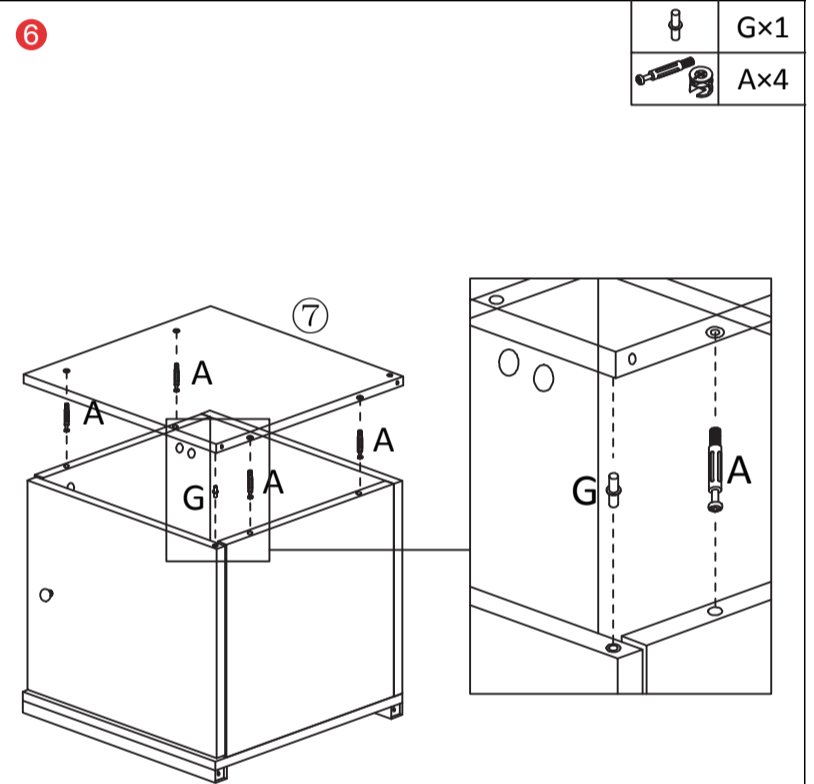
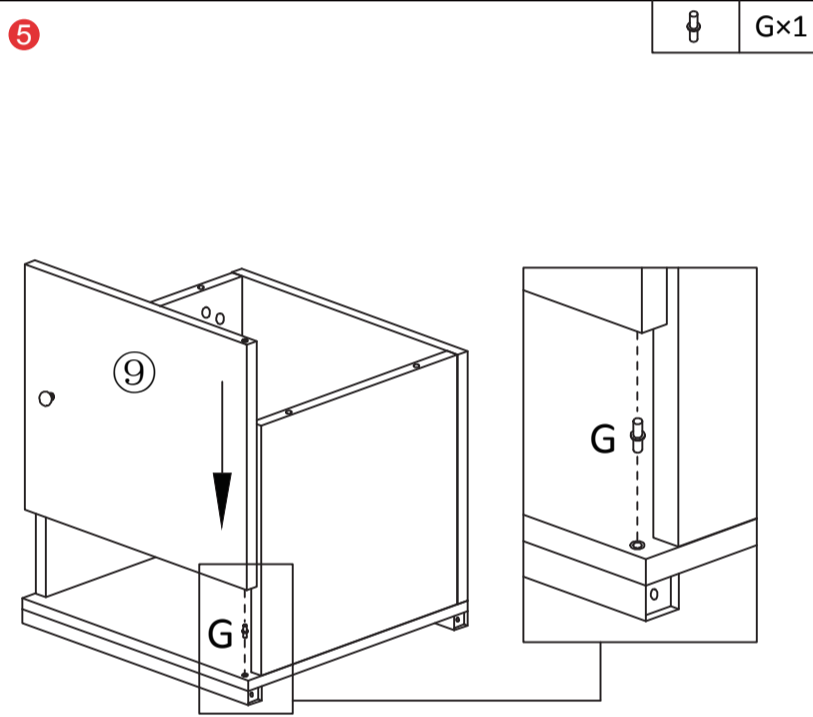
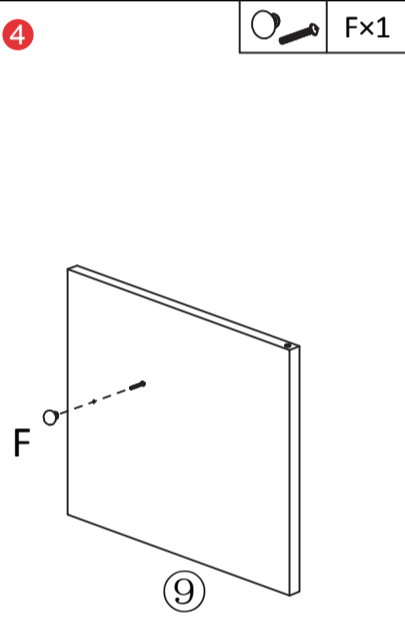


StepA : Cabinet frame assembly

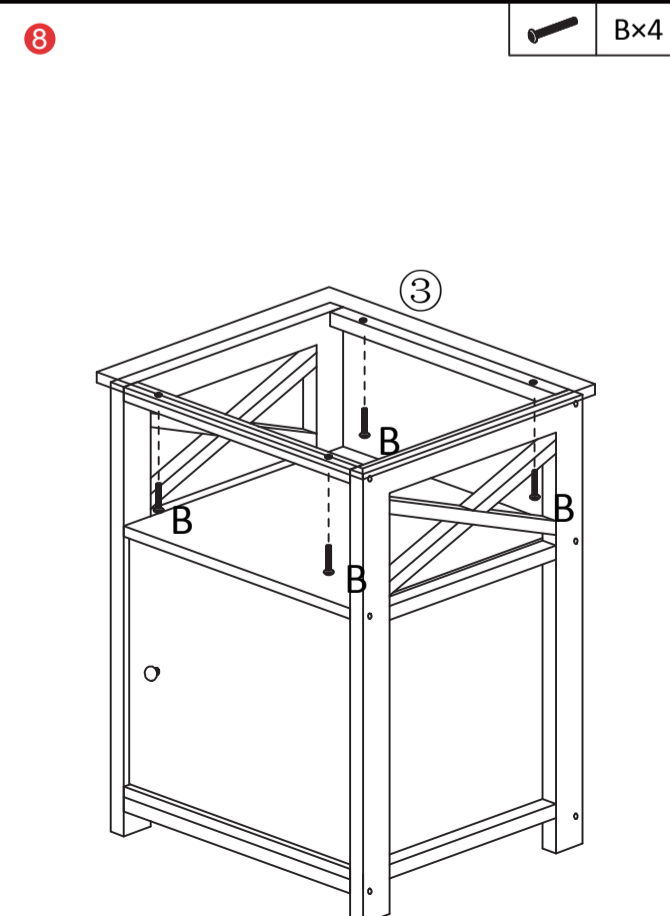
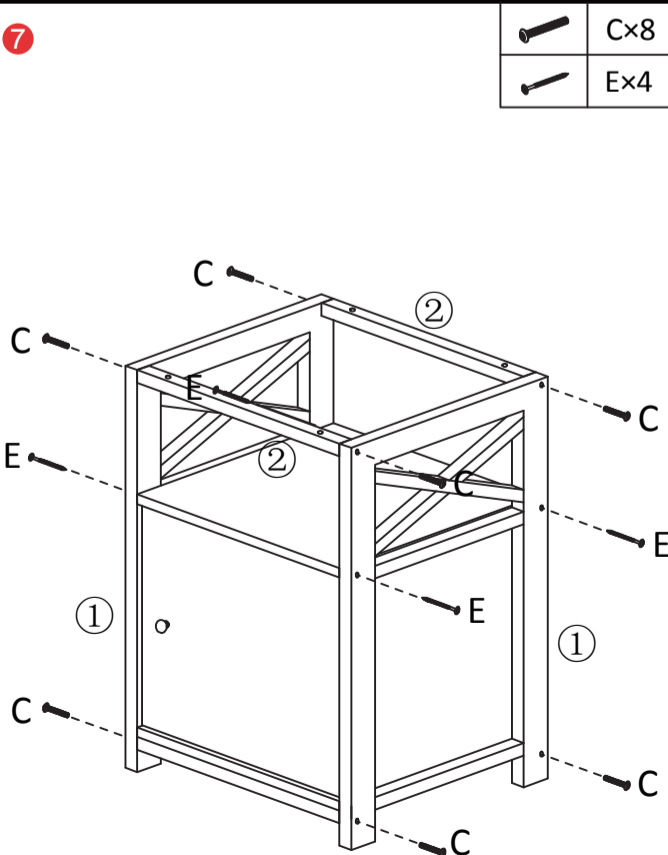


Tips:
For the tightening method of A screw, please refer to "A" Hardware Assembly example

StepB : Cabinet door assembly



StepC : Main frame assembly



9 Check and tighten all screws

