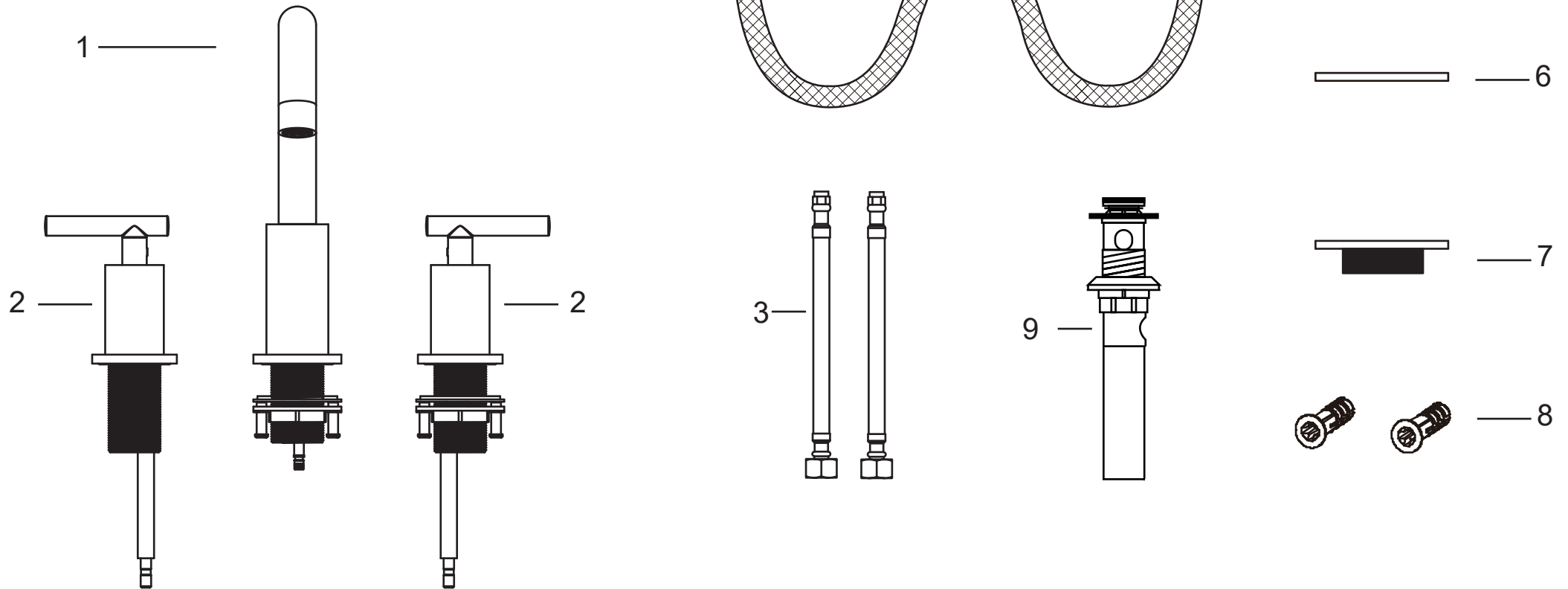


FORIOUS

INSTALLATION INSTRUCTIONS



Included In the Package:

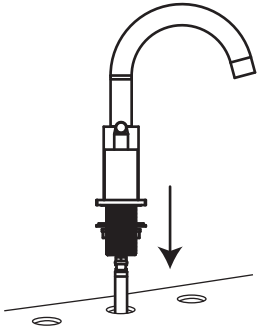
1. Faucet
2. Cold and hot water handles
3. Cold and hot water supply hoses
4. Black water hose with quick connectors
5. Rubber washer
6. Metal washer
7. Mounting nut
8. Mount screws
9. Pop-up sink drain stopper with mounting hardware

Before Installation:

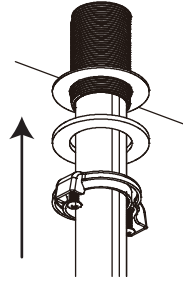
- Turn off the water supply valves. Clean the mounting area of the sink.
- Recommended width of mounting area is between 15cm-31cm (6"-12") measured between centers of outside mount holes as shown in the diagram.
- Diameter of mount holes must be between 32mm-35mm (1.26"-1.38") as shown in the diagram.
- Max countertop thickness is 35mm (1.38")
- Water pressure Min 0.05MPa (7 psi) / Max 0.75MPa (109 psi)
- Water temp Min $\geq 20^{\circ}\text{C}$ (68 $^{\circ}\text{F}$) / Max $\leq 85^{\circ}\text{C}$ (185 $^{\circ}\text{F}$)

Installation Steps:

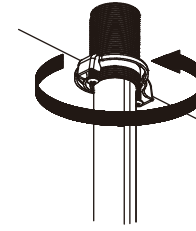
1. Feed hose through center mount hole and fit the faucet onto the sink.



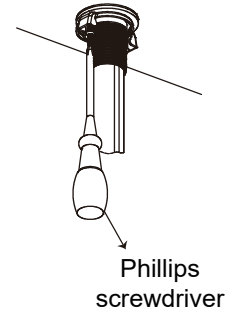
2. Beneath the sink, slide the rubber washer, metal washer and mounting nut onto the threaded end of the faucet.



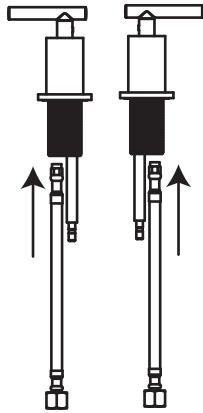
3. Tighten the mounting nut by hand so that the faucet is firmly connected to the sink, be careful not to over-tighten.



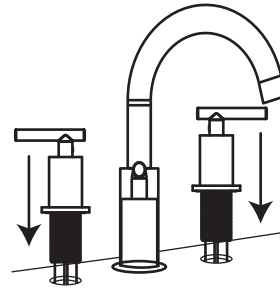
4. Insert the two mount screws onto the mounting nut to fix it in place, again don't over-tighten.



5. Carefully screw the male ends of the cold and hot water supply hoses into the respective faucets (blue=cold, red=hot) and tighten firmly by hand.

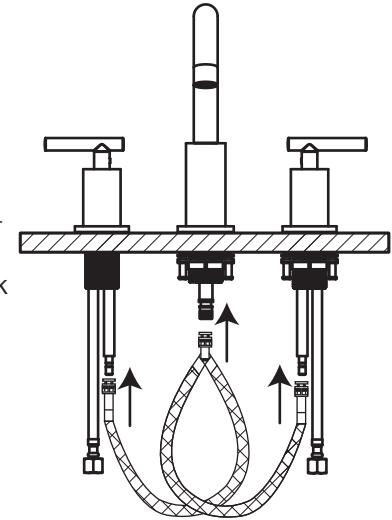


6. Fit the handles onto the sink using the correct outside mount holes and apply steps #3-#5 above to secure the handles.

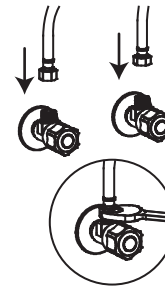


7. Firmly connect the black water hose to the handles by attaching the quick connectors to the brass fittings extending from the bottom of each handle.

8. Firmly connect the quick connector in the middle of the black water hose to the short faucet hose. Check that there are no kinks in the hoses.

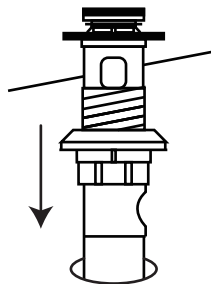


9. Connect the hot and cold water hoses to the water supply valves. Secure the connections with a wrench. Open water supply valves and check for leaks.



Note: The black water hose must be installed crosswise, as shown in the figure.

10. Install the pop-up sink drain stopper.



Maintenance:

- Always operate the faucet gently to ensure years of use.
- To maintain the finish, always blot dry any water on the faucet surface. Clean with a damp non-abrasive sponge and wipe dry with a clean soft cloth.
- Although the finish is very durable, certain cleaners can damage it. DO NOT use detergent powder, polishing powder, a nylon brush, or anything that may scratch the finish.

- DO NOT use acidic cleaners on the faucet.
- If air temperature falls below freezing (0°C / 32°F), run the faucet to prevent freezing.
- Shut off water supply valve when not in use for long periods.
- We reserve the right to make revisions to product design without notice.