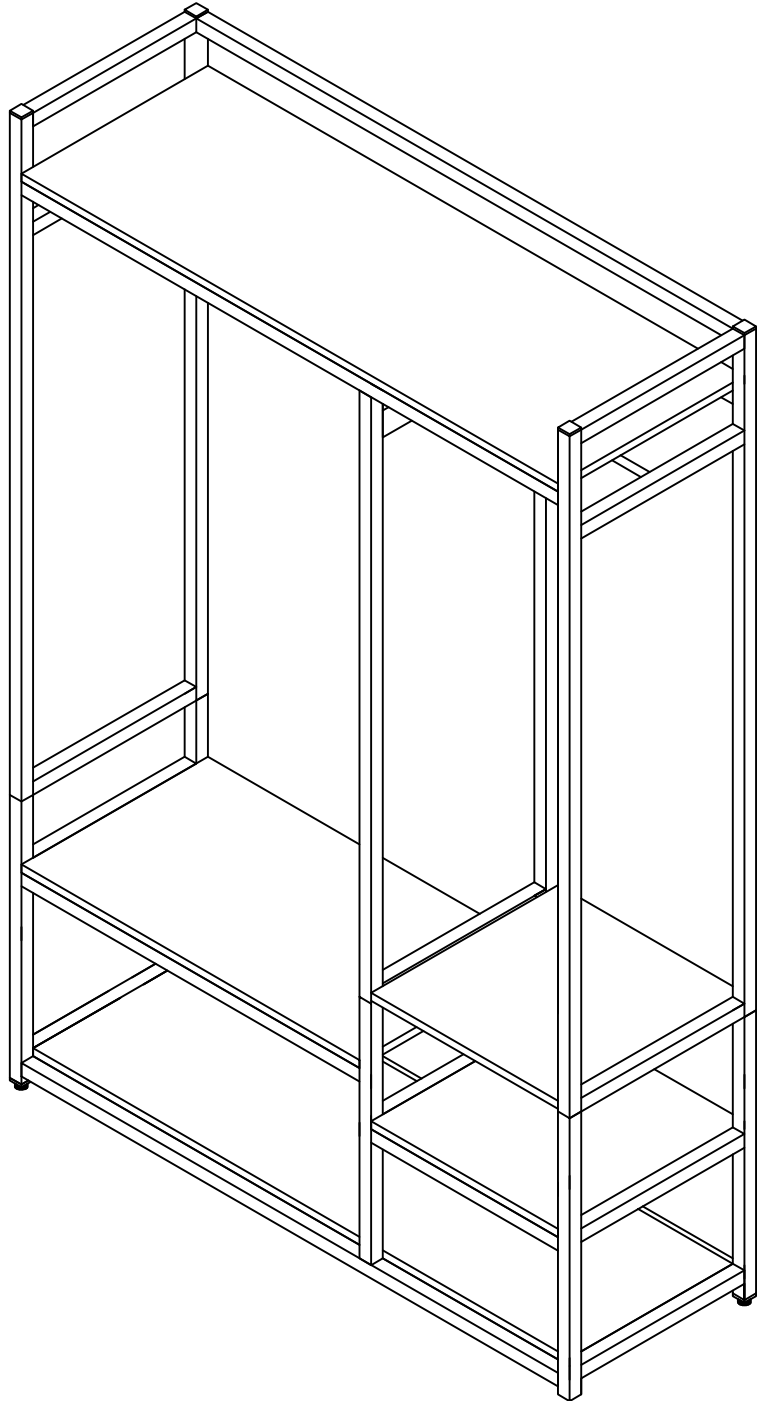
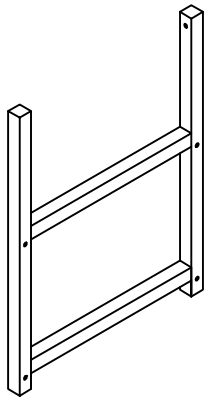


Installation instructions



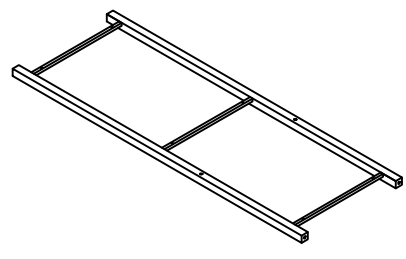
Accessorieshow

1



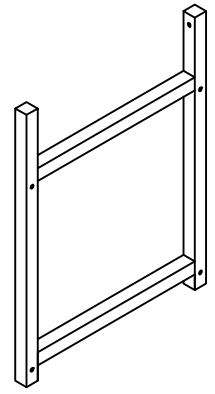
x1

2



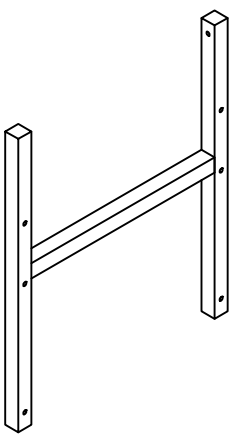
x1

3



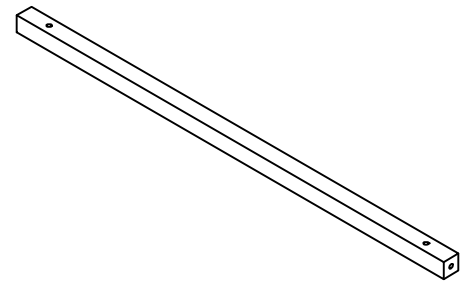
x1

4



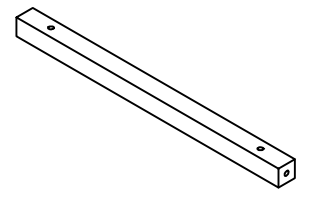
x1

5



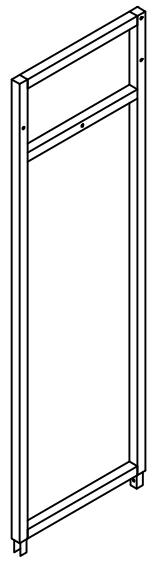
x2

6



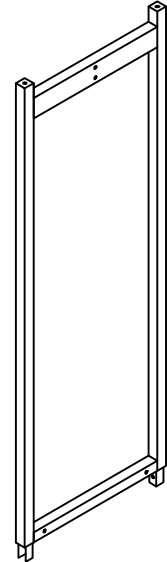
x2

7



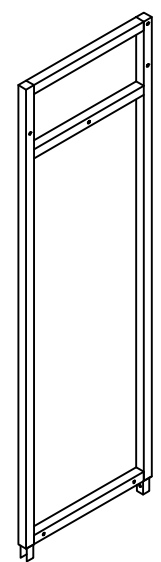
x1

8



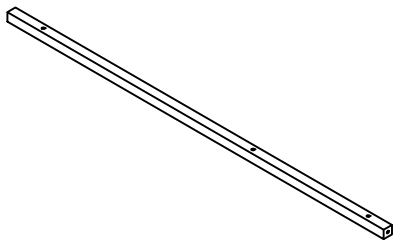
x1

9



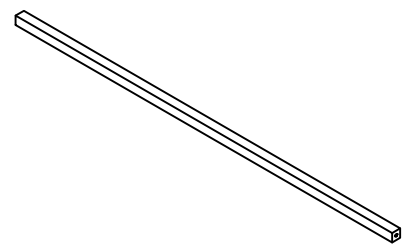
x1

10



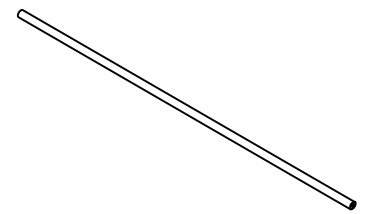
x2

11



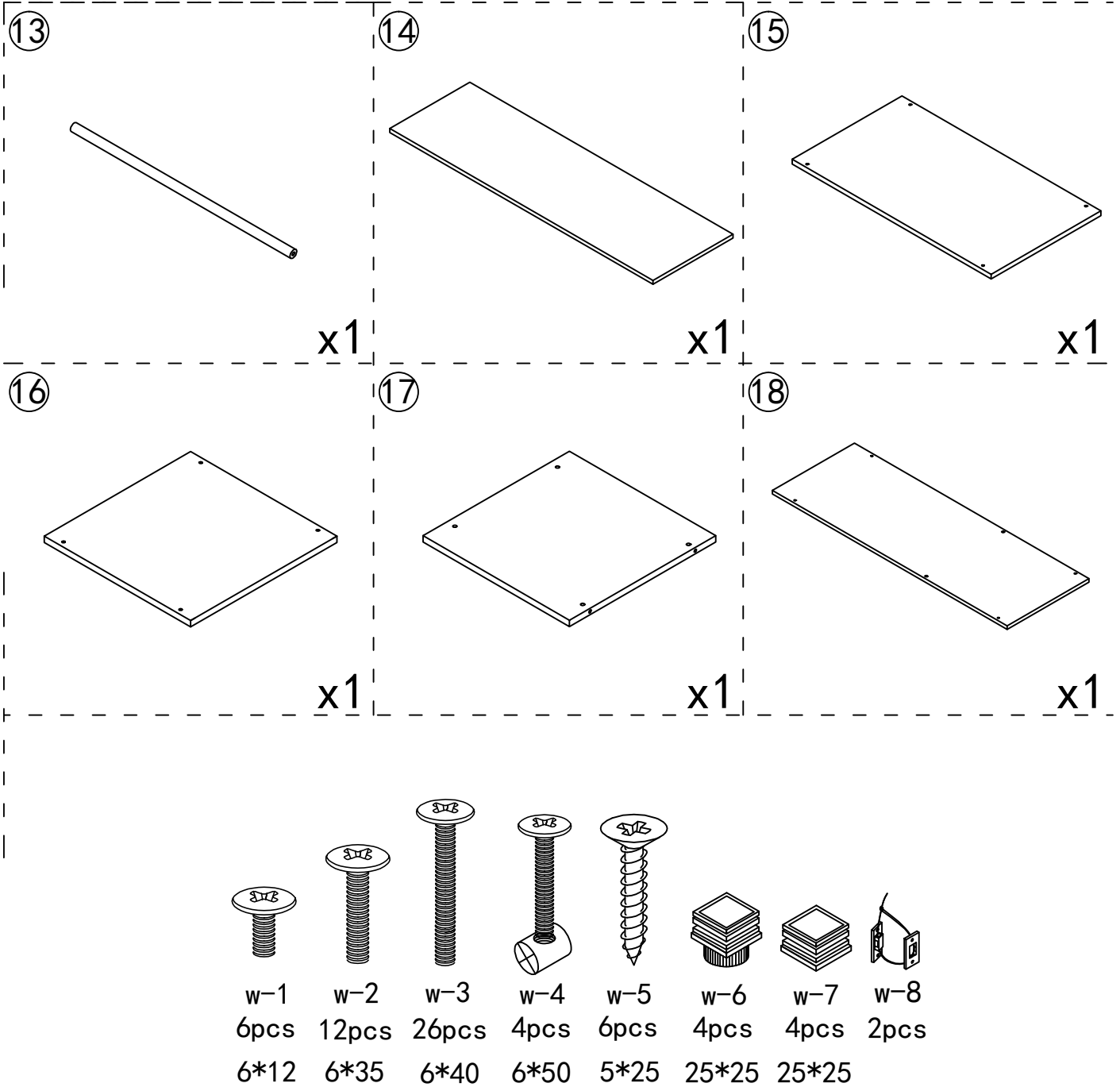
x1

12



x1

Accessories show

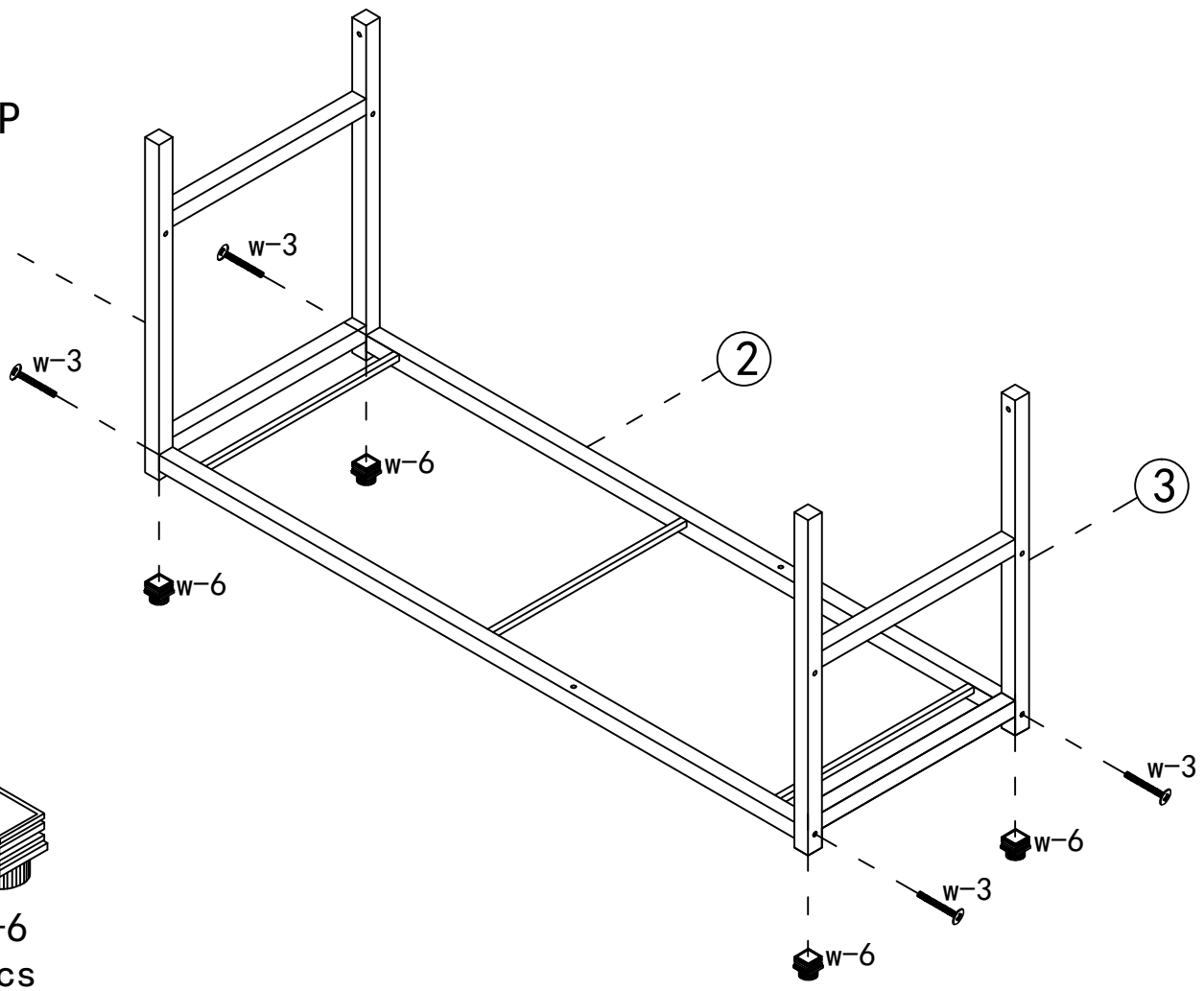


NOTES: Don't tighten screws completely at first, just in case parts were assembled wrong and need disassembled. Tighten screws at last when all parts are put together.

STEP

1

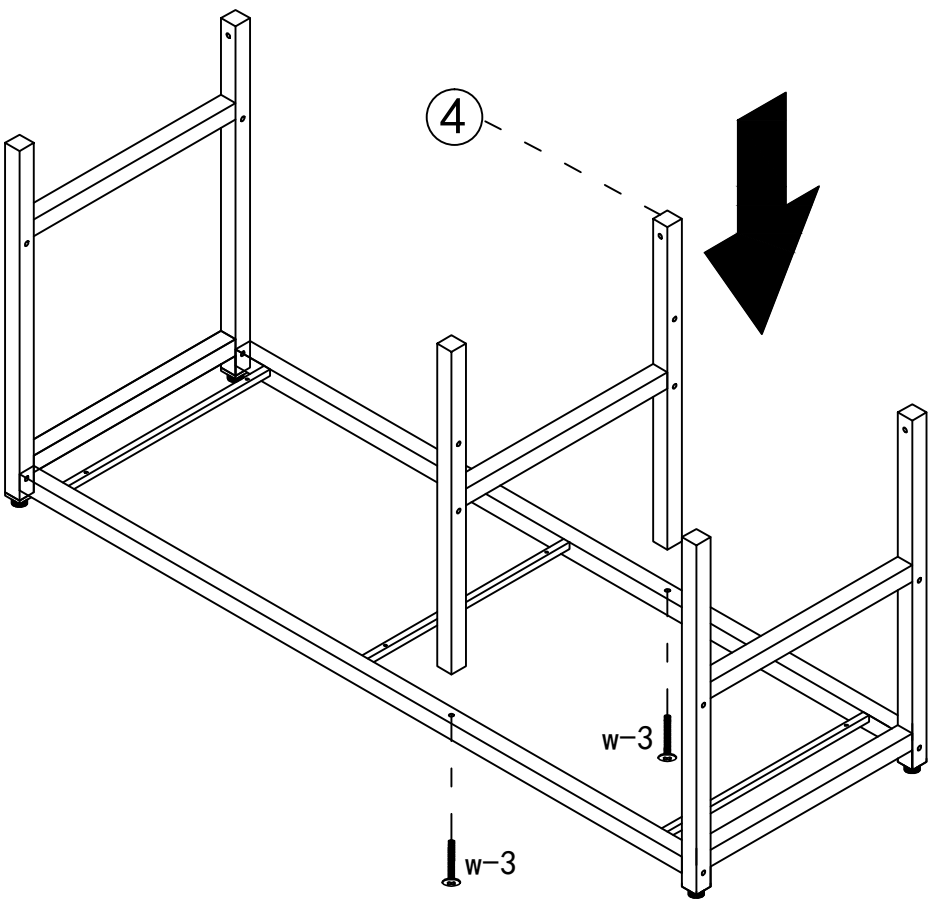
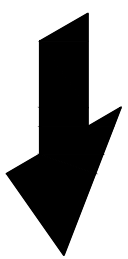
1



STEP

2

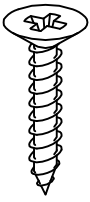
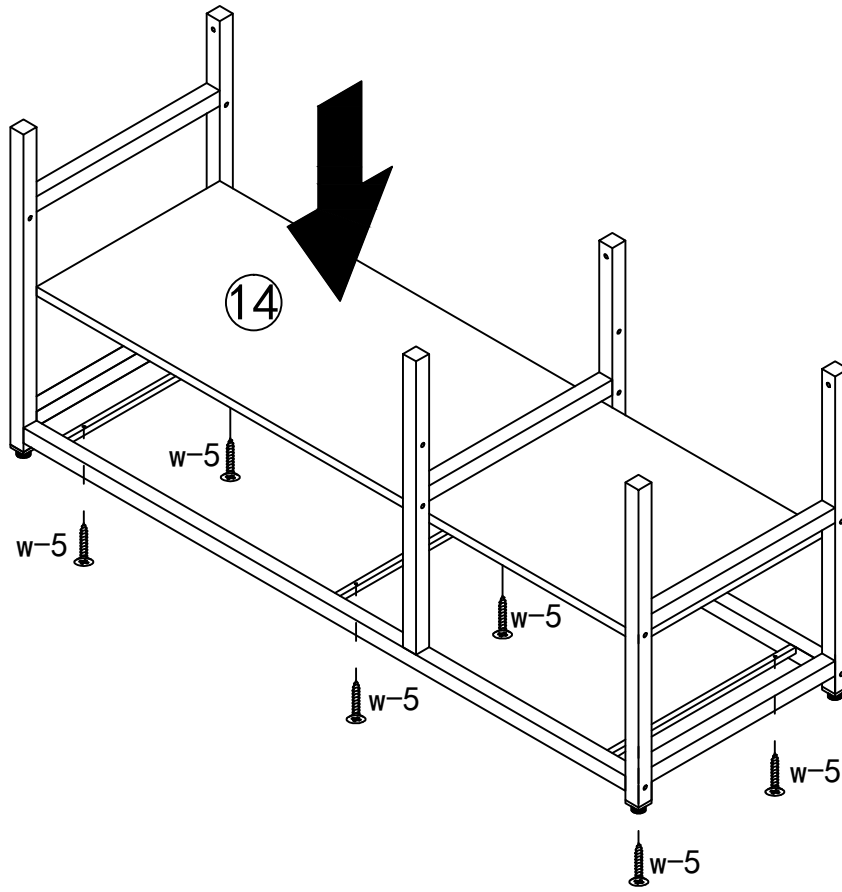
4



w-3

2 pcs

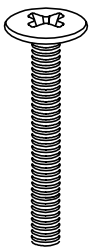
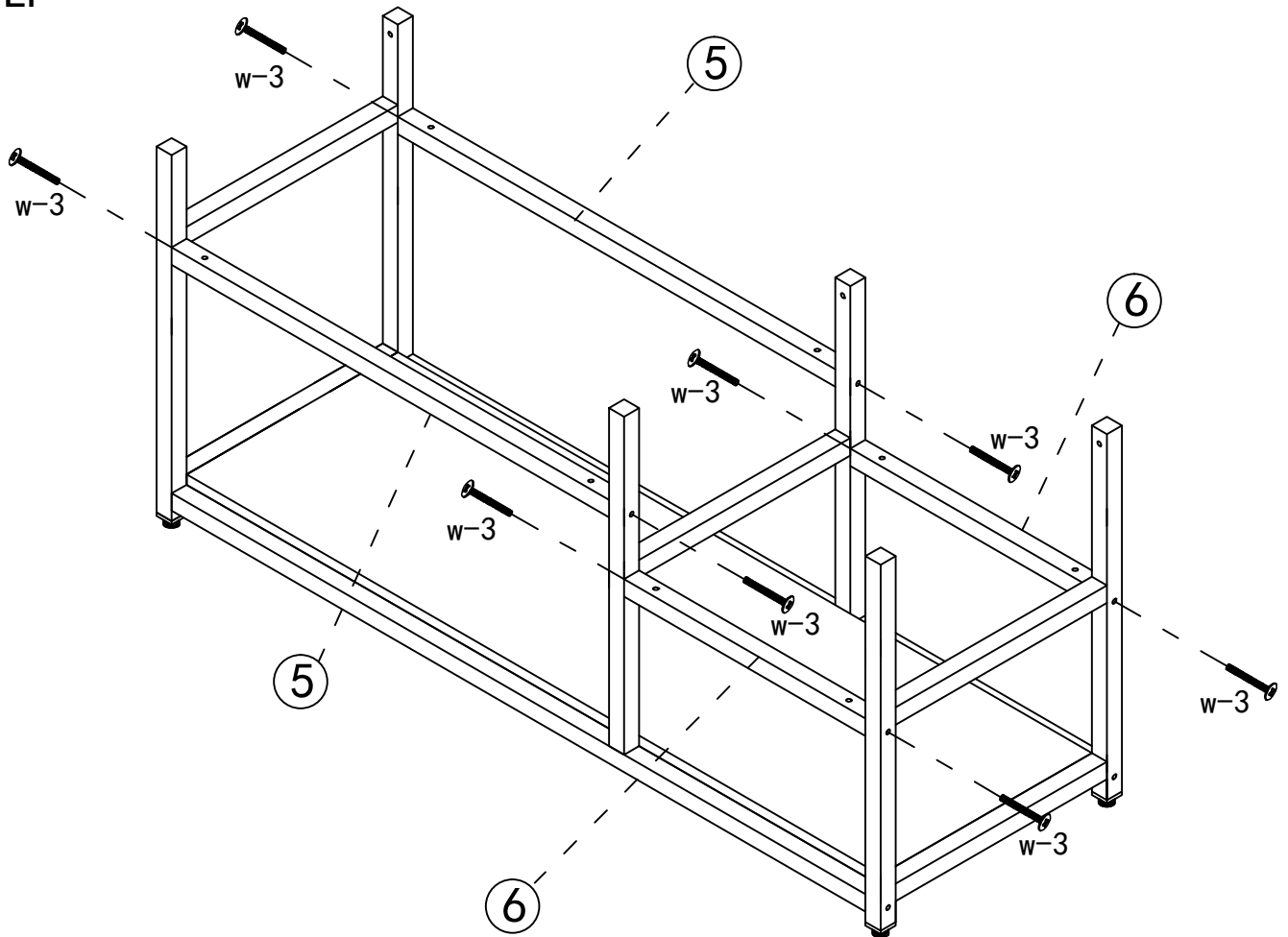
STEP
3



w-5

6pcs

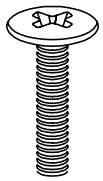
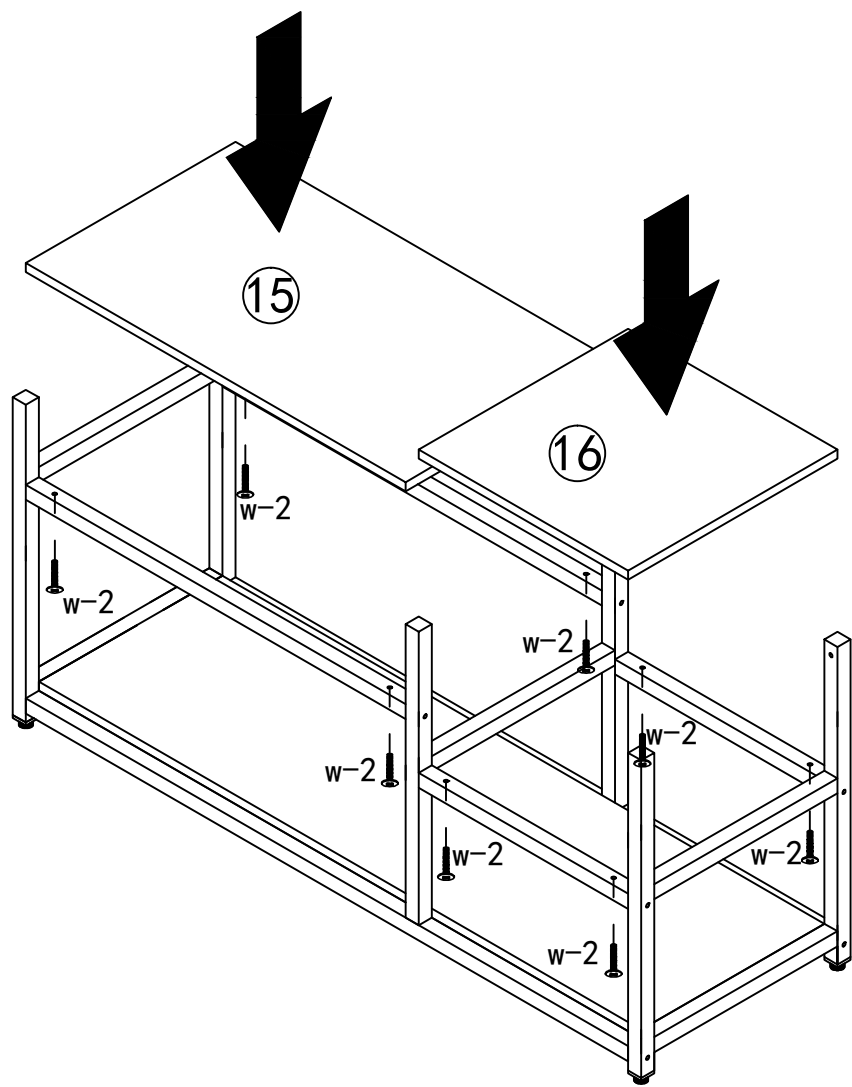
STEP
4



w-3

8pcs

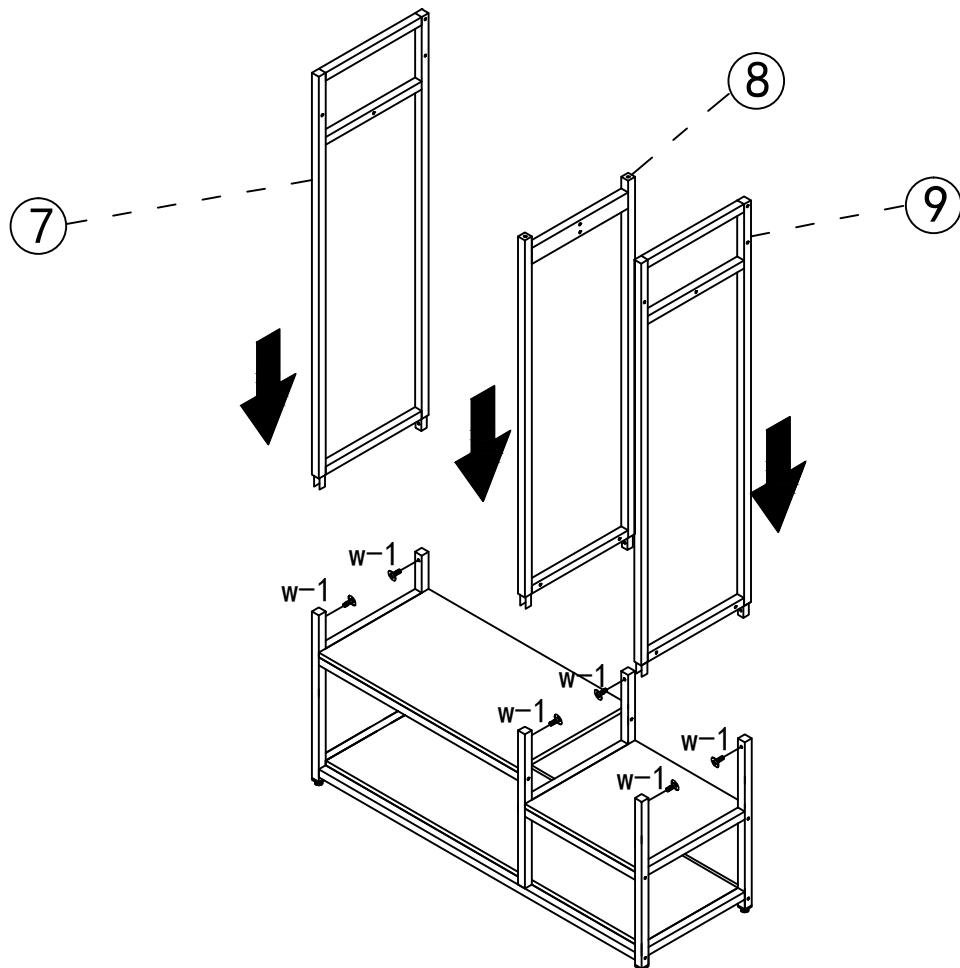
STEP
5



w-2

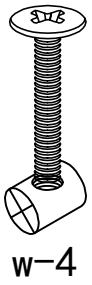
8pcs

STEP
6



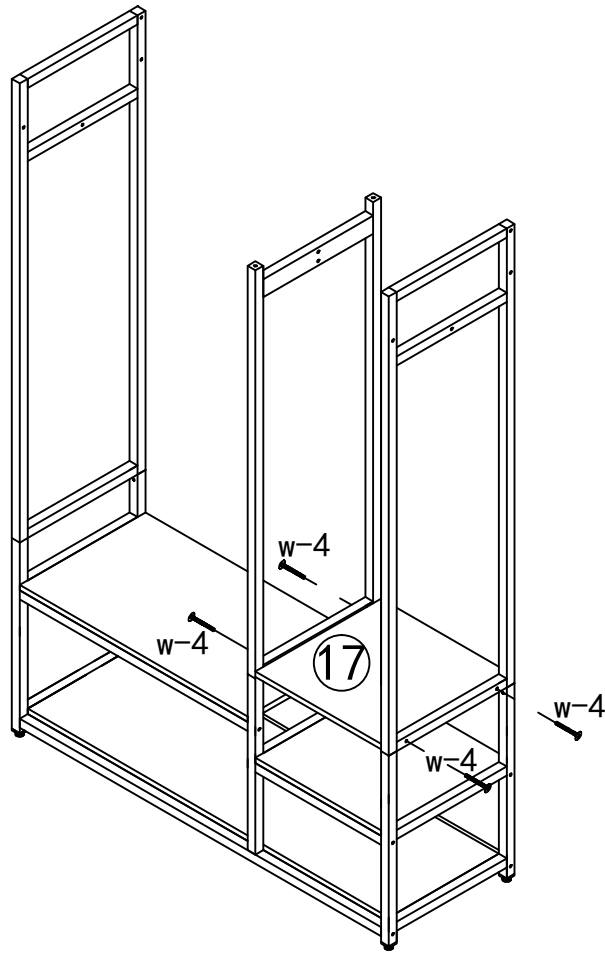
w-1
6pcs

STEP
7

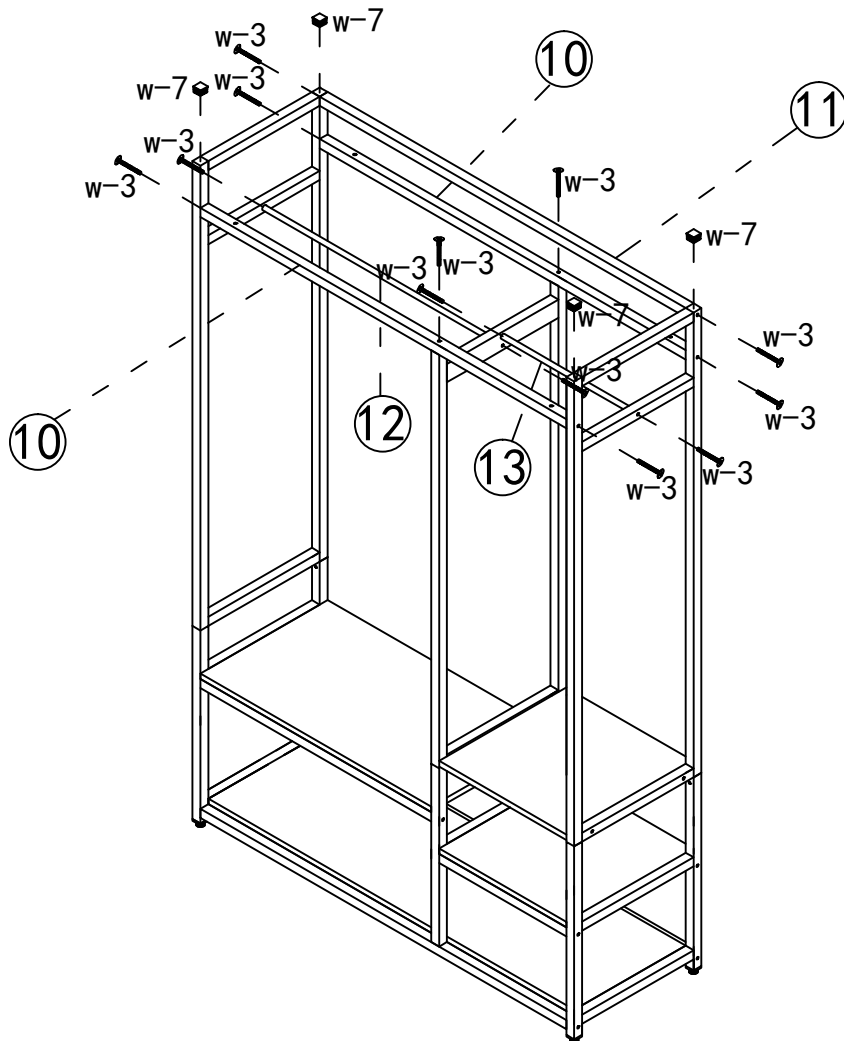


w-4

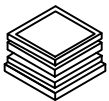
4pcs



STEP
8



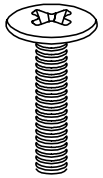
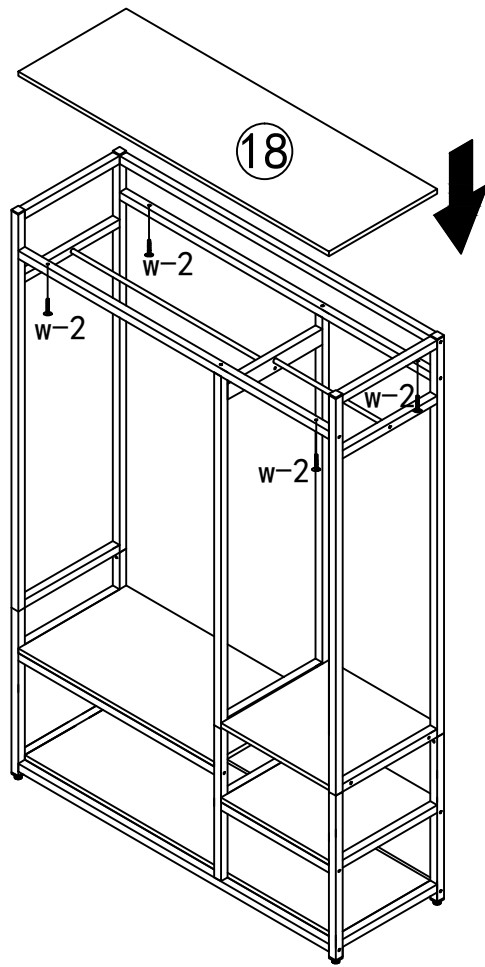
w-3



w-7

12pcs 4pcs

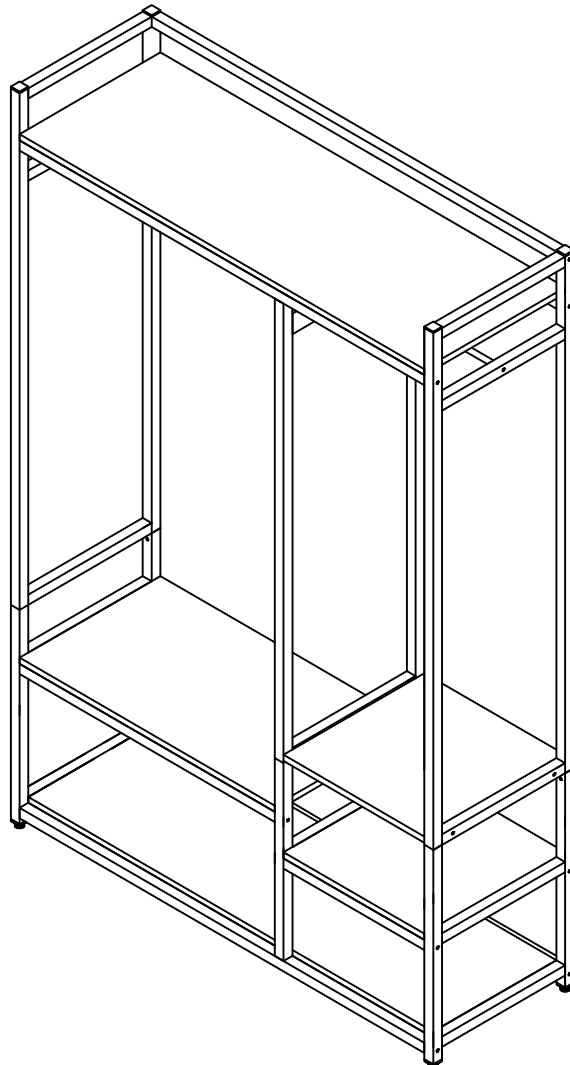
STEP
9



w-2

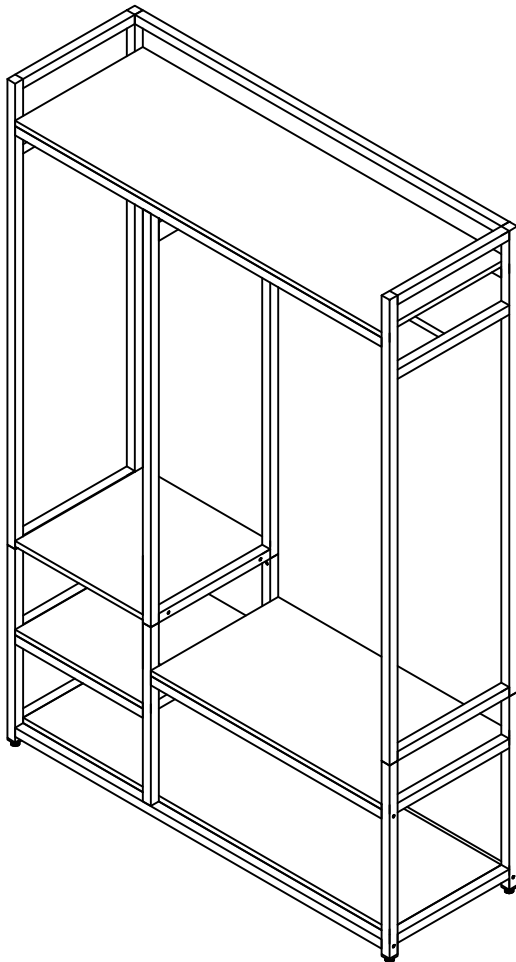
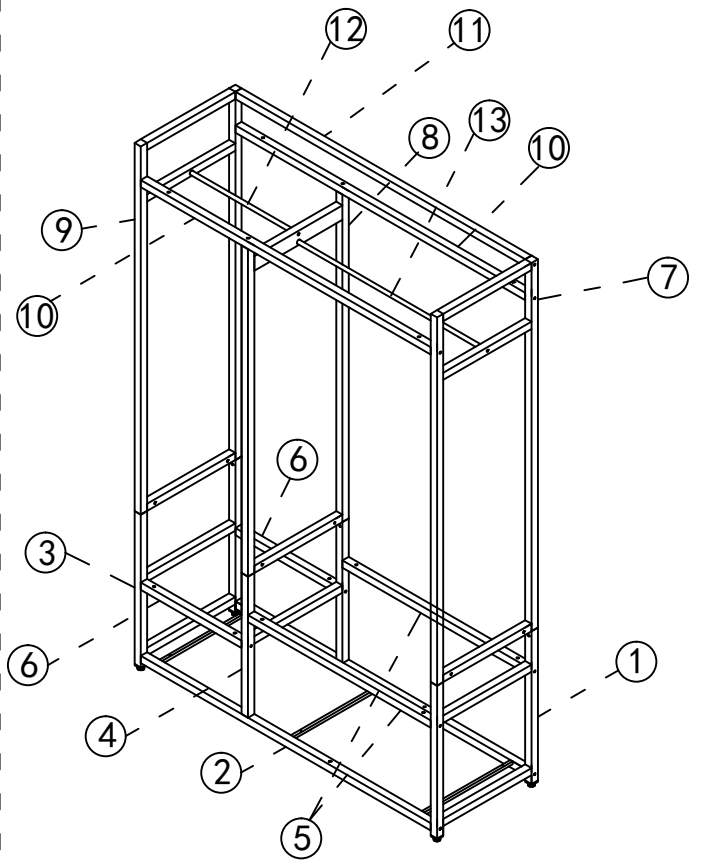
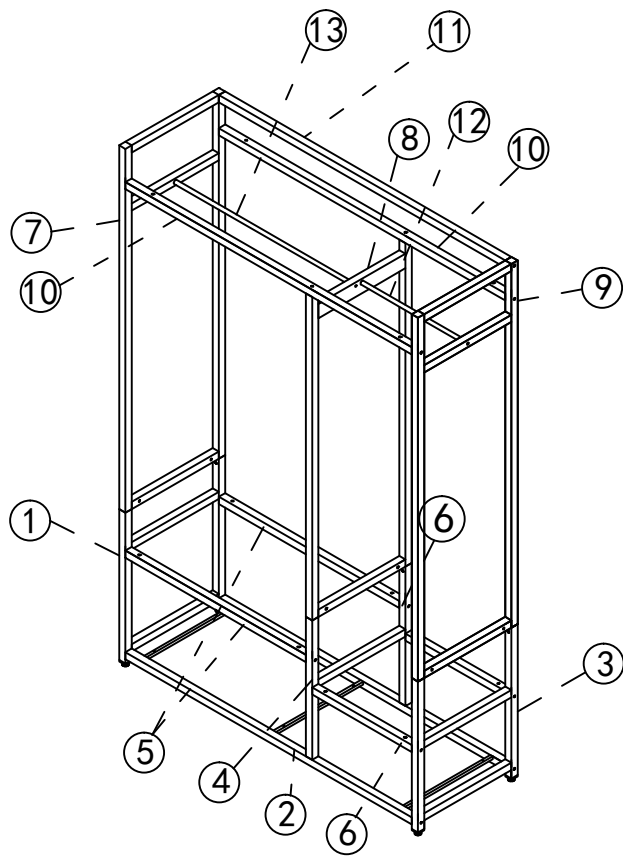
4pcs

STEP
10



complete

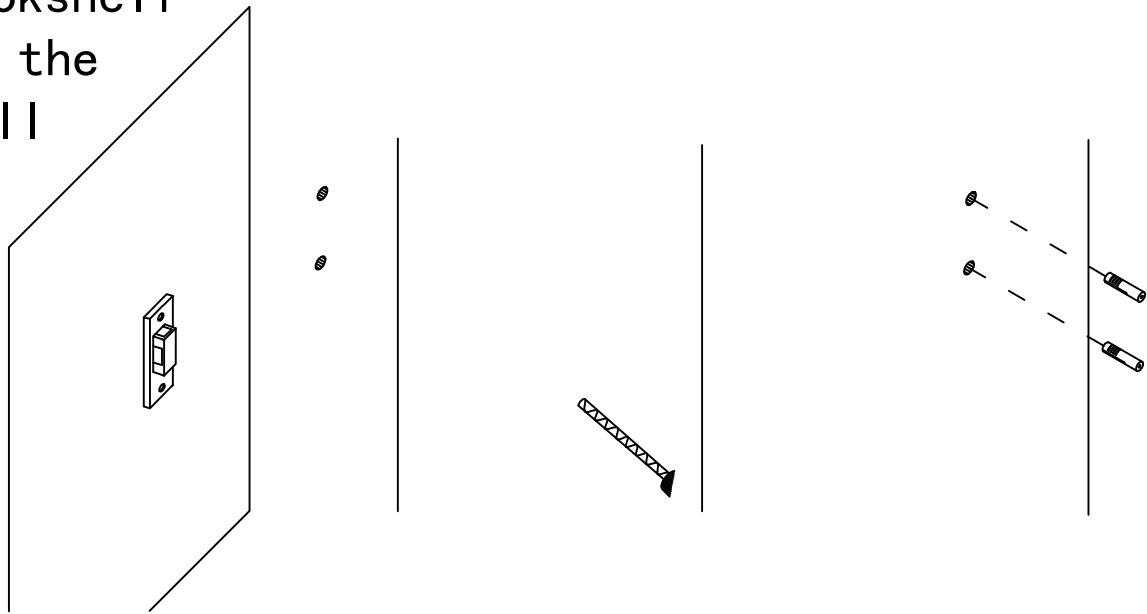
Left and right interchangeability



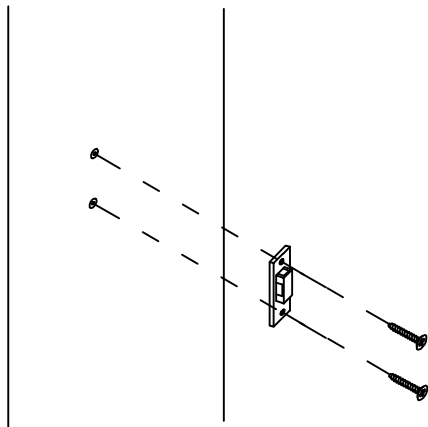
complete

Pay attention to the accessories marked in the above picture, follow the previous installation steps, you can complete the left and right interchange installation

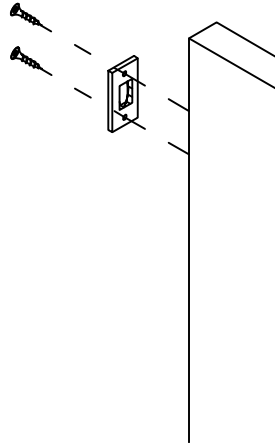
Accessor
the
bookshelf
to the
wall



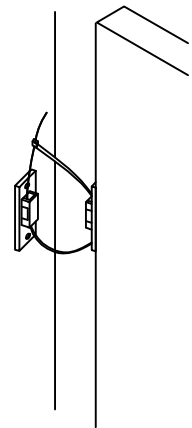
Step1: Mark
holes
on the wall



Step2: Drill
holes



Step3: Push
the plastic
plug tu the
hole



Step4: Tighten
screws

Step5: Install
plastic
tap to the

shelf (#D

Step6: *complete*