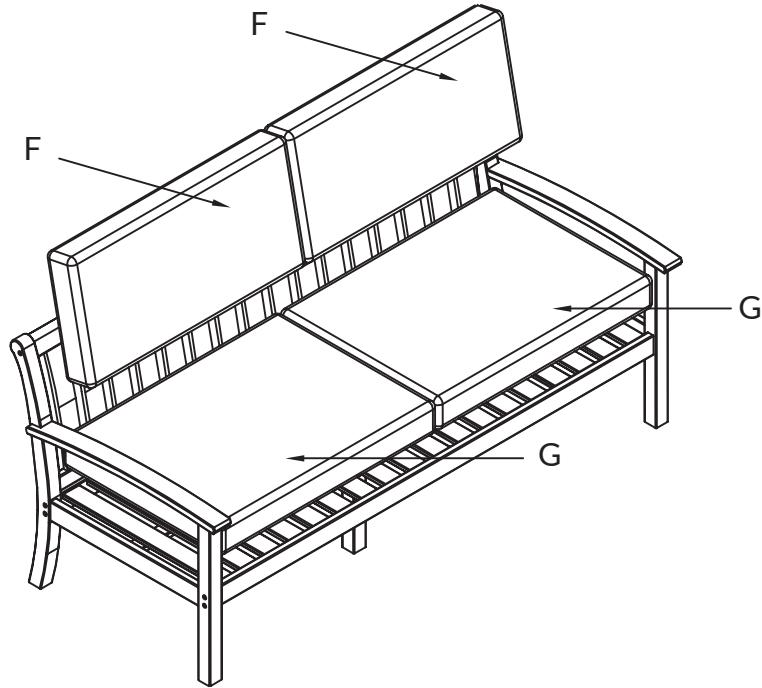
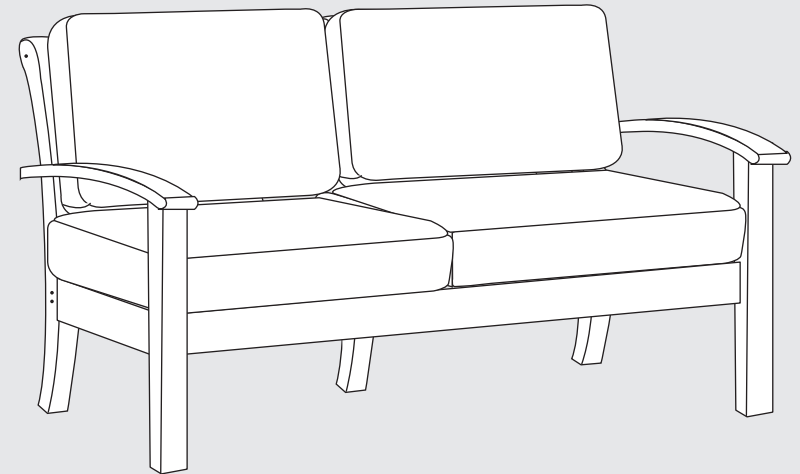


**2** Place Seat Cushion (F) and Back Cushion (G) on assembled Sofa Frame.

Model: \_\_\_\_\_  
Lot No: \_\_\_\_\_  
Date of Purchase: \_\_\_\_\_



## SOFA



### ADULT ASSEMBLY REQUIRED

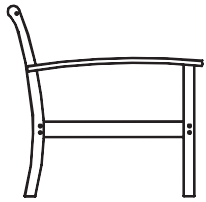
If you are missing any parts or have any questions regarding assembly, do not return this item to the retailers store. Please call our toll-free, customer service number and have this assembly manual open to the parts list ready to provide the model name, number and part name or number.



**WARNING:** This product may contain small components, please ensure they are kept away from small children.

## PARTS AND HARDWARE

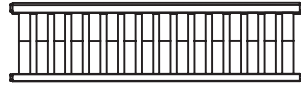
Avoid using sharp objects such as a knife to cut open packing as you may accidentally damage the upholstery.



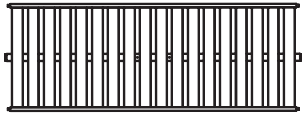
A. Left Leg  
1x



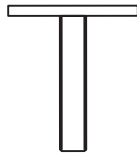
B. Right Leg  
1x



C. Back Rest  
1x



D. Seat  
1x



E. Support Leg  
1x



F. Seat Cushion  
2x



G. Back Cushion  
2x



H. Bolt  
10x



I. Bolt  
2x



J. Allen Key  
1x

## ASSEMBLY INSTRUCTIONS

Do not fully tighten bolts until assembly is complete.

- 1 Attach Left Leg (A) and Right Leg (B) to Back Rest (C) and Seat Deck (D) using Bolts (H). Attach Support Leg (E) to Seat Deck (D) using Bolts (I). Tighten using provide Allen Key (J).

