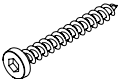
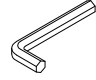
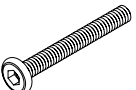

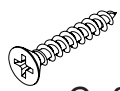

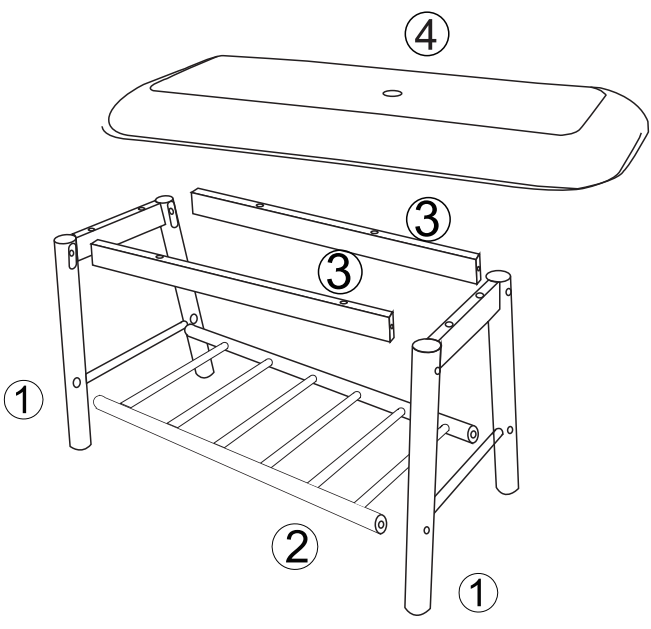

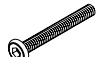

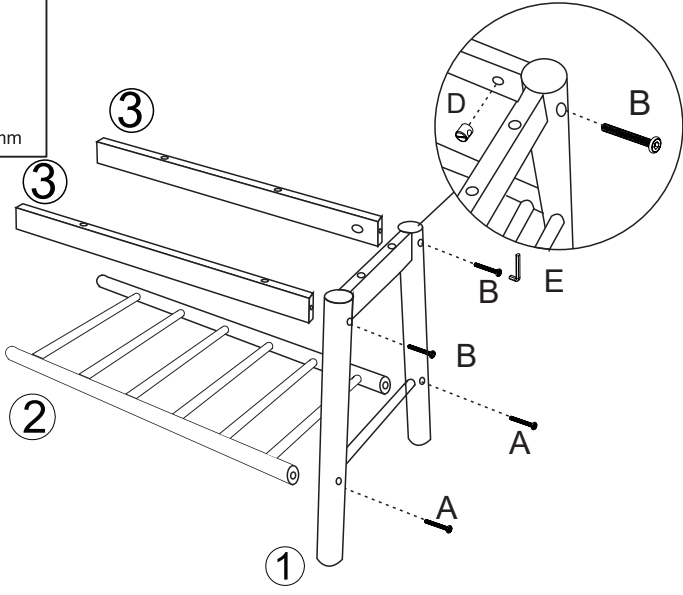


<p>Ø 5x50mm</p>  <p>Ax4</p>	<p>23x62mm</p>  <p>Ex1</p>
<p>Ø 5.5x60mm</p>  <p>Bx4</p>	<p>Ø 20x3mm</p>  <p>Fx4 (if included)</p>
<p>Ø 4x35mm</p>  <p>Cx8</p>	
<p>Ø 10x12mm</p>  <p>Dx4</p>	






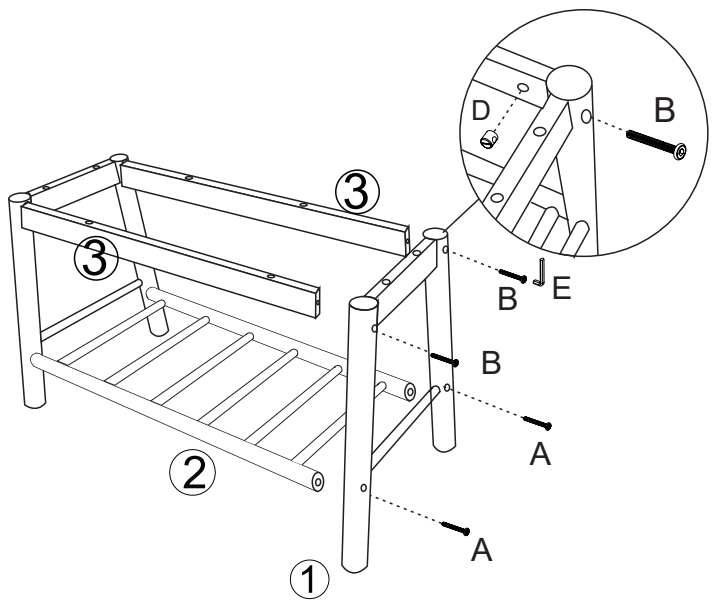
1

<p>Ax2</p>  <p>Ø 5x50mm</p>	<p>Bx2</p>  <p>Ø 5.5x60mm</p>	<p>Dx2</p>  <p>Ø 10x12mm</p>
---	---	--

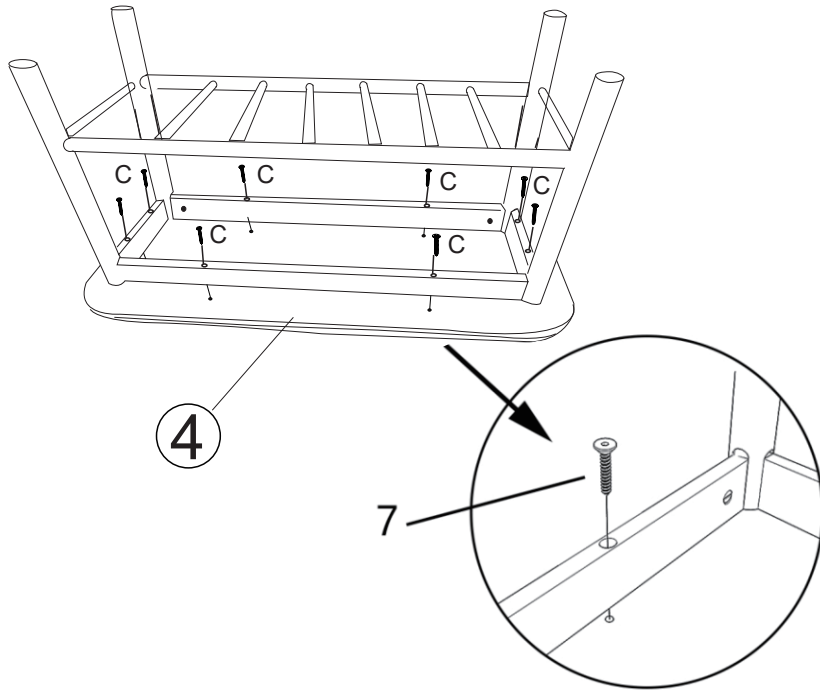
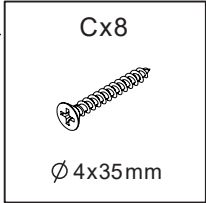


2

<p>Ax2</p>  <p>Ø 5x50mm</p>	<p>Bx2</p>  <p>Ø 5.5x60mm</p>	<p>Dx2</p>  <p>Ø 10x12mm</p>
---	---	--



3



4

