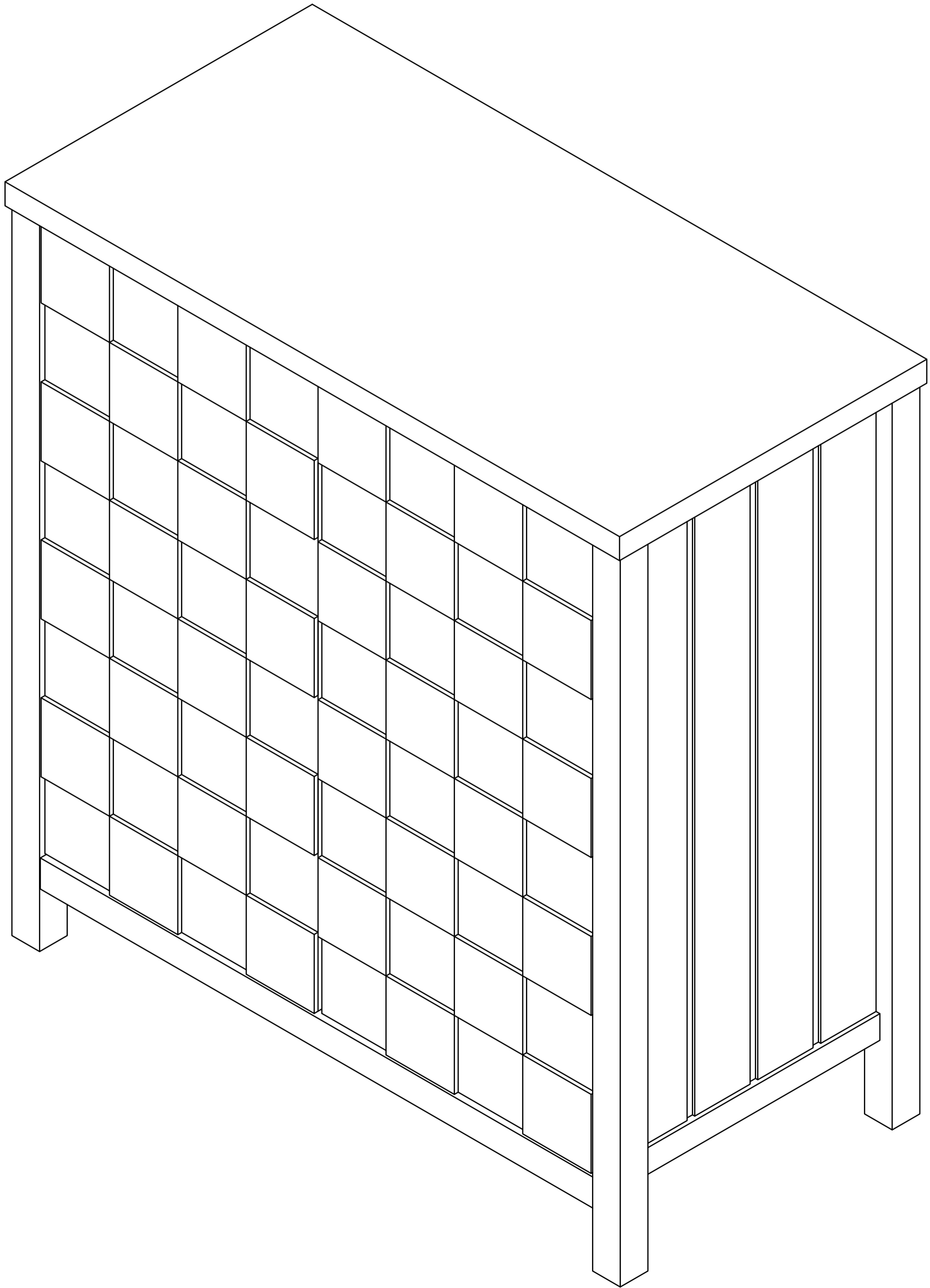
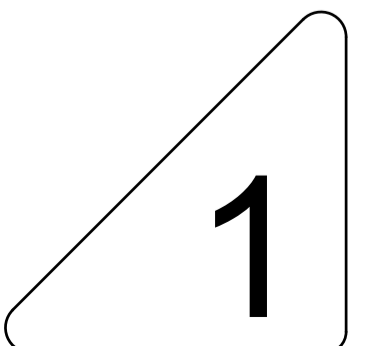
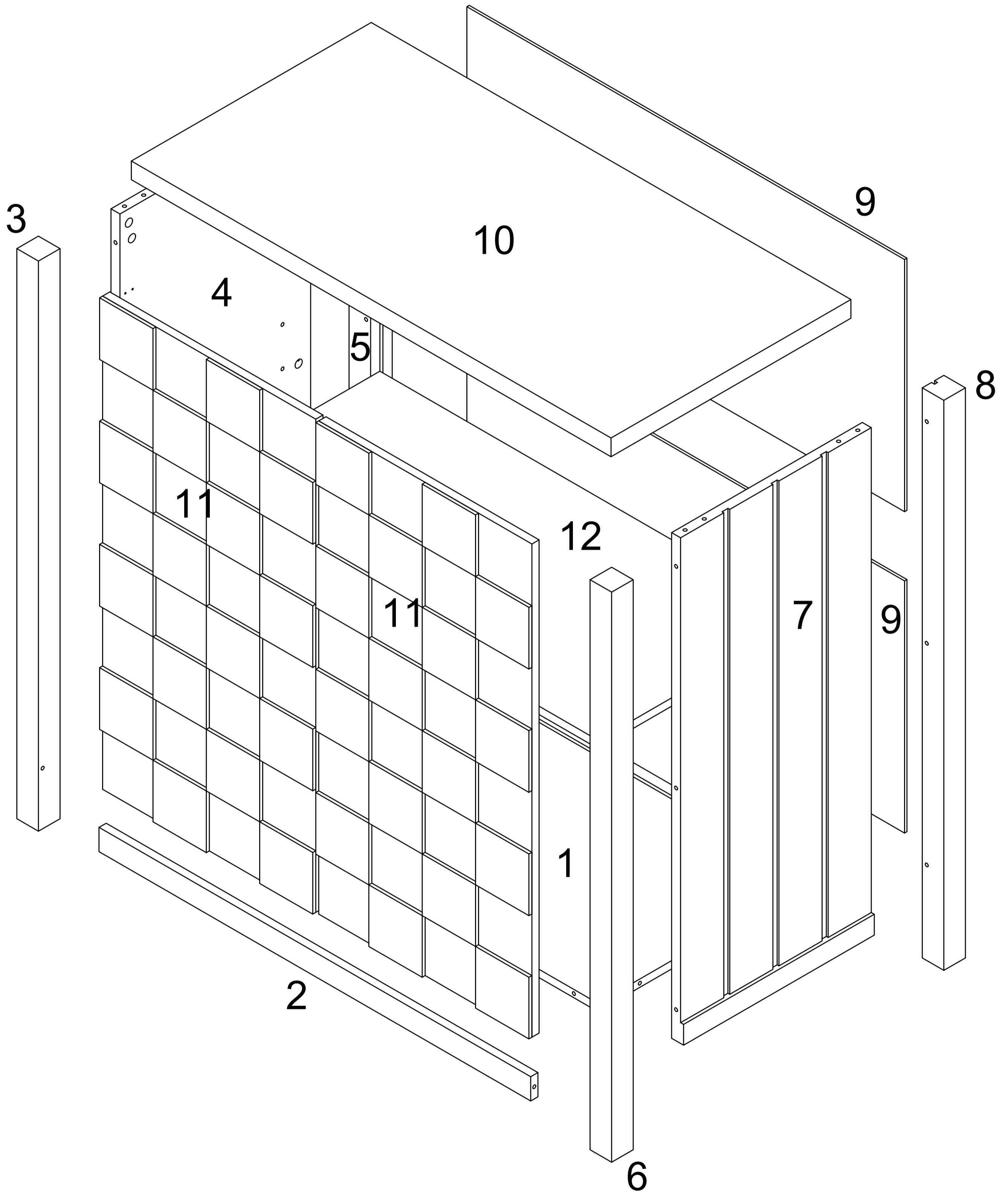
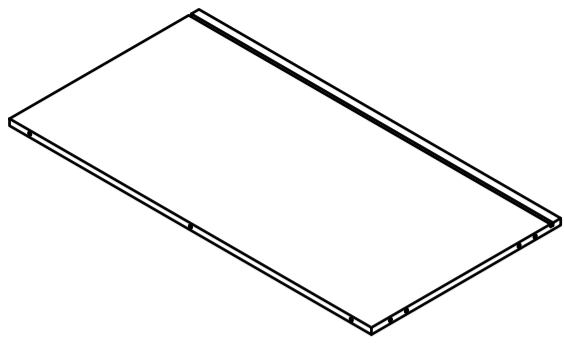


Product Installation Instructions

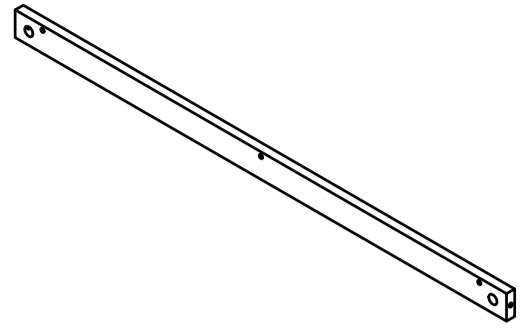


Product Explosion diagram





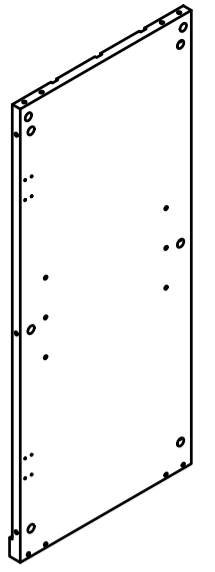
1x1



2x1



3x1



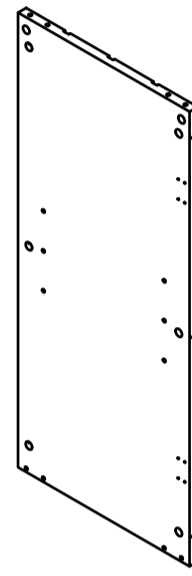
4x1



5x1



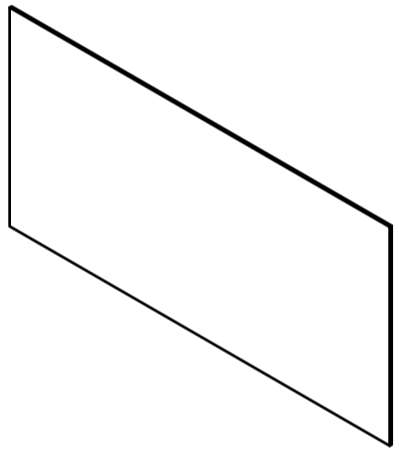
6x1



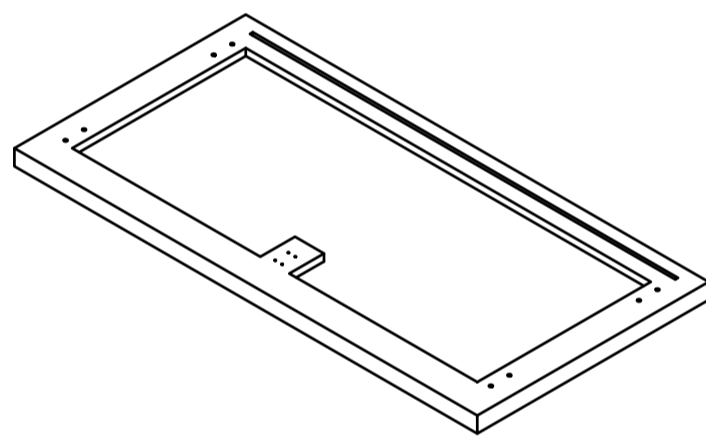
7x1



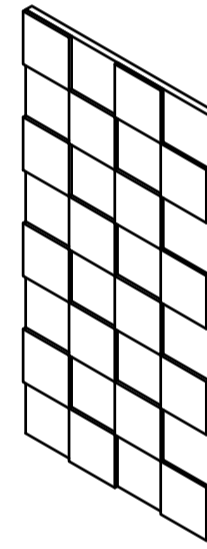
8x1



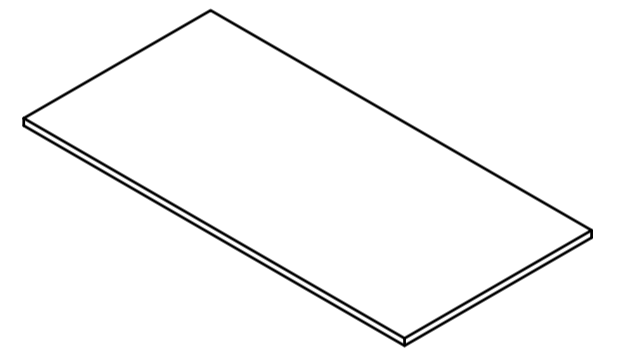
9x2



10x1

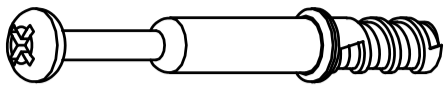

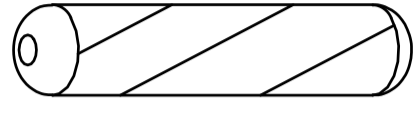
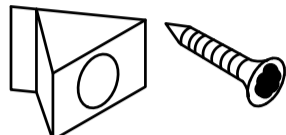
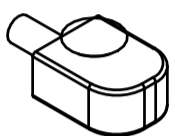
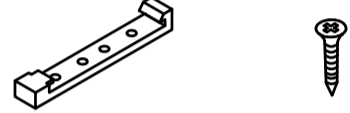
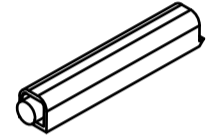




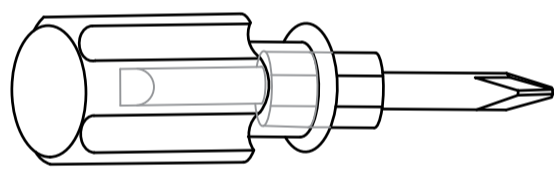
11x2



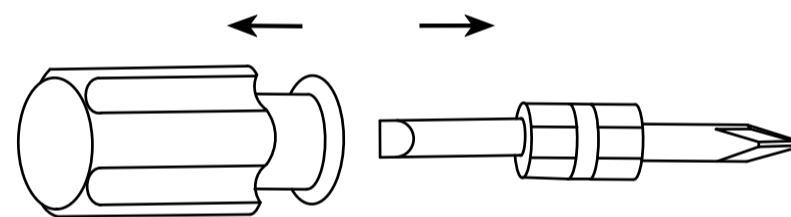
12x1

Accessories list

A		Two In One Screw (6x28mm)	25pcs +1pcs
B		Two In One Nut (10x12mm)	25pcs +1pcs
C		Wood Chipping (6x30mm)	8pcs +1pcs
D		Fixing clip & screw (3x16mm)	8pcs +1pcs
E		Laminate support nail	4pcs
F		Rebound device & Screw (3.5x14mm)	2pcs / 8pcs +1pcs
			2pcs
G		Foot pads 36*36x2mm	4pcs
H		Countersunk head tapping screw(3.5x14mm)	4pcs / 24pcs +2pcs

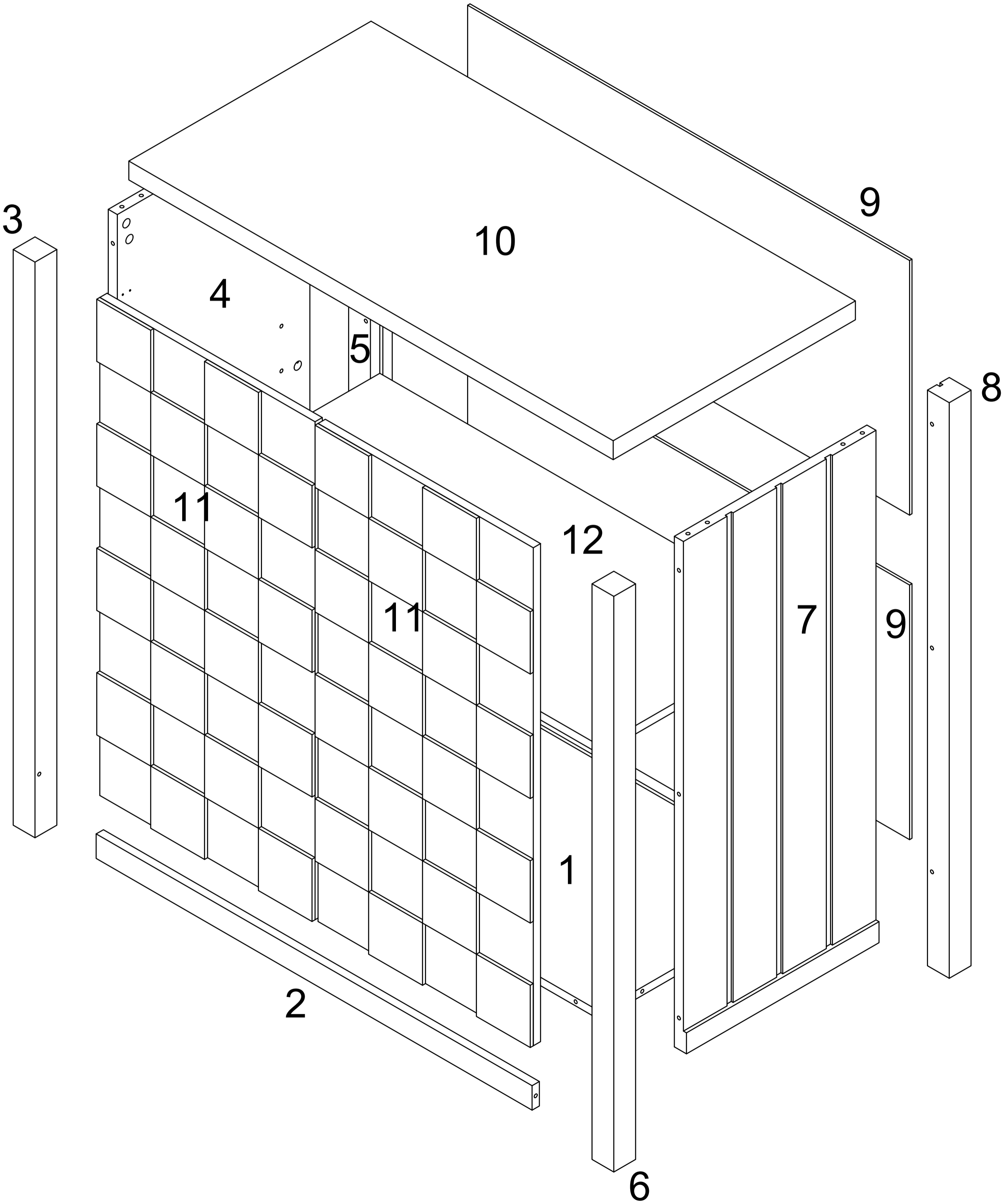


1pcs



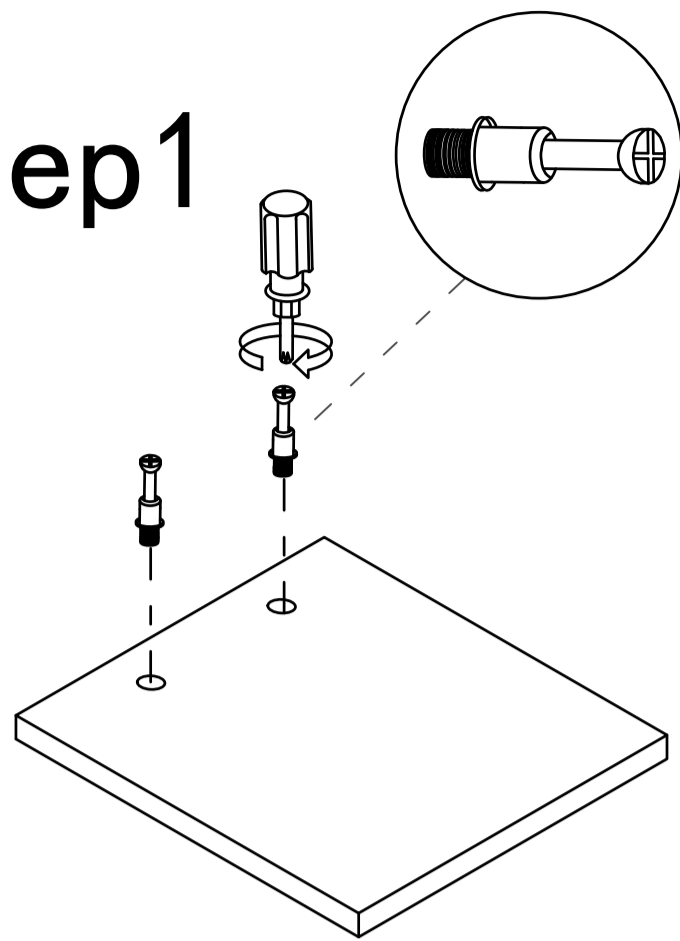
Double-head screwdriver, use as required

Product Explosion diagram

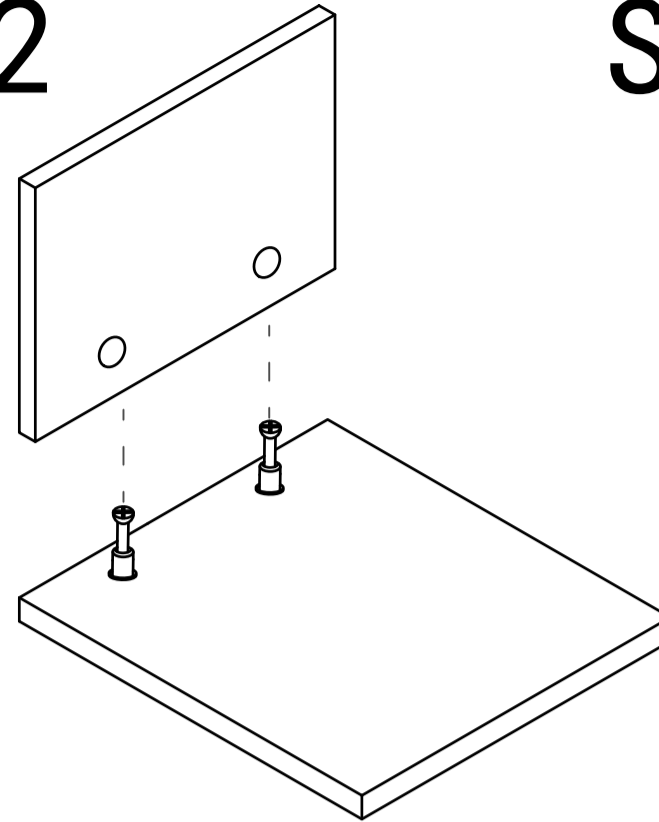


Use parts A and B

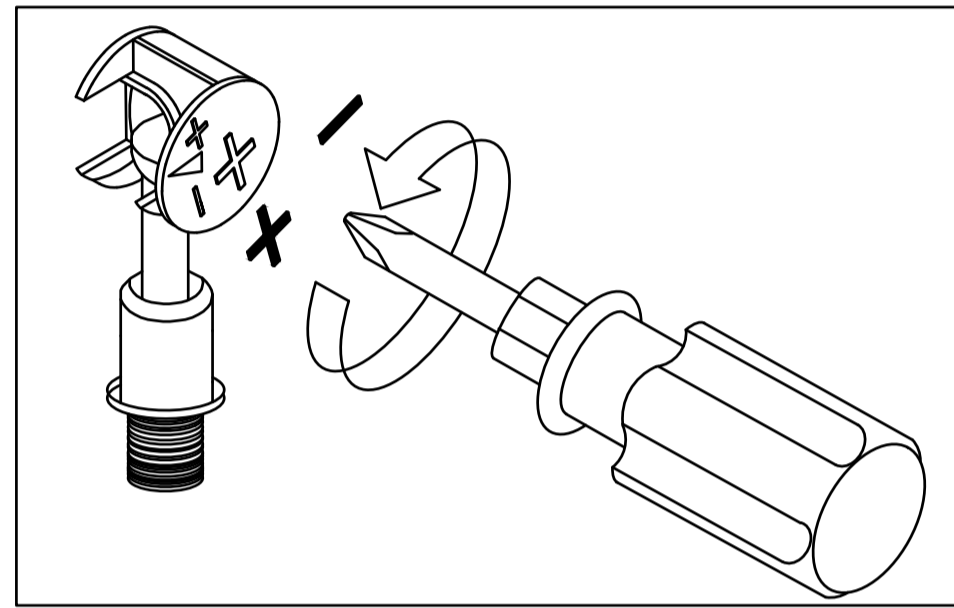
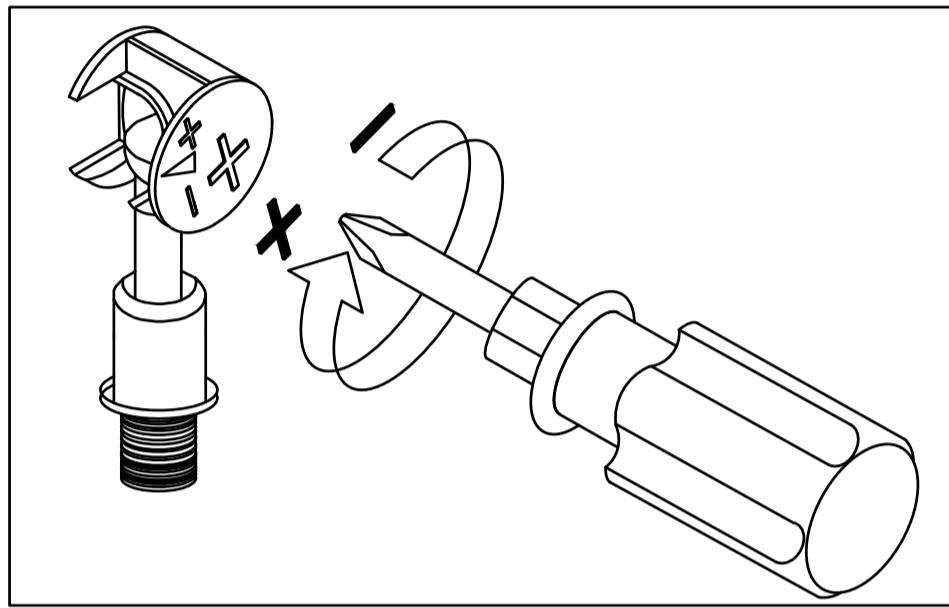
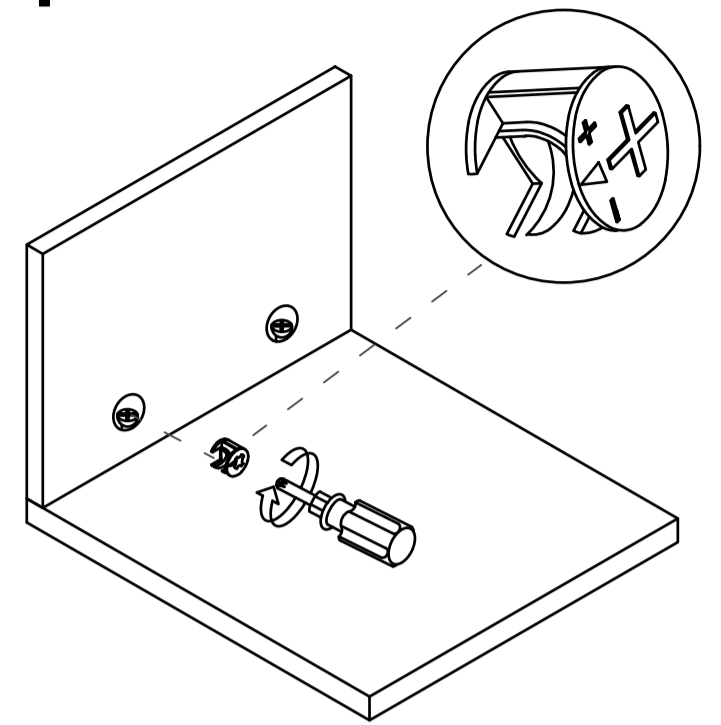
Step1



Step2



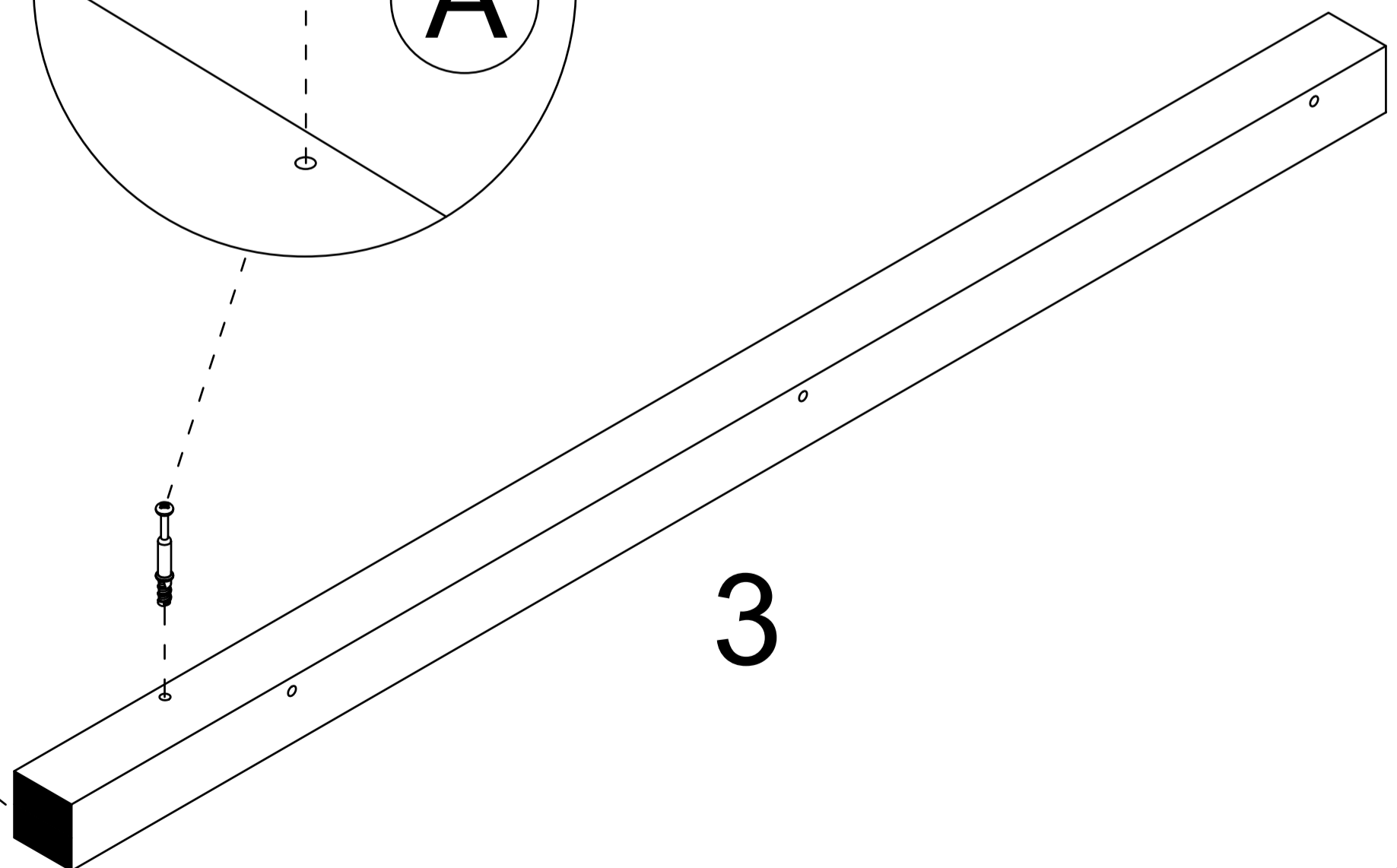
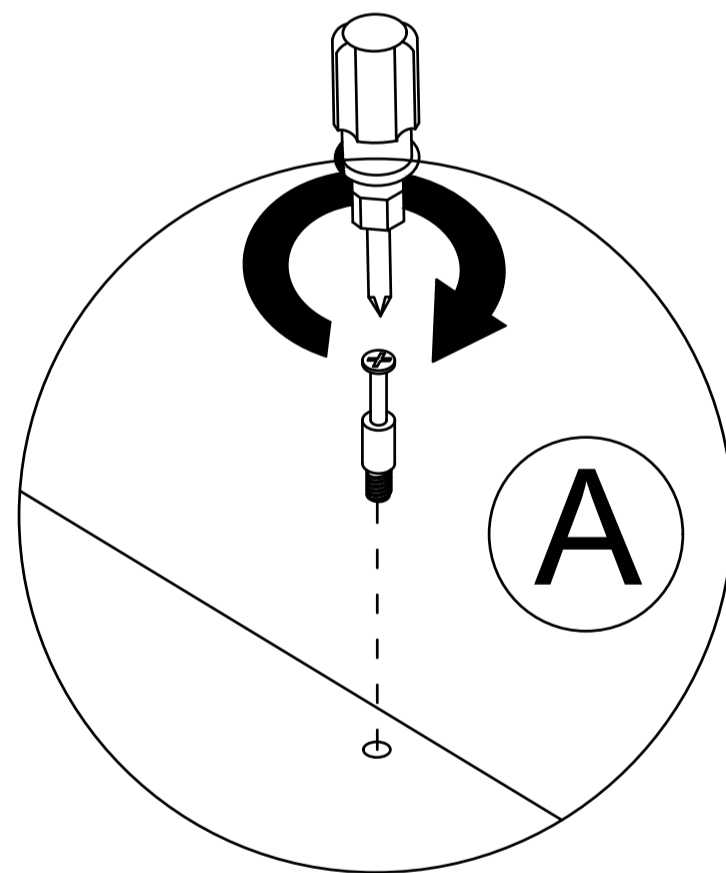
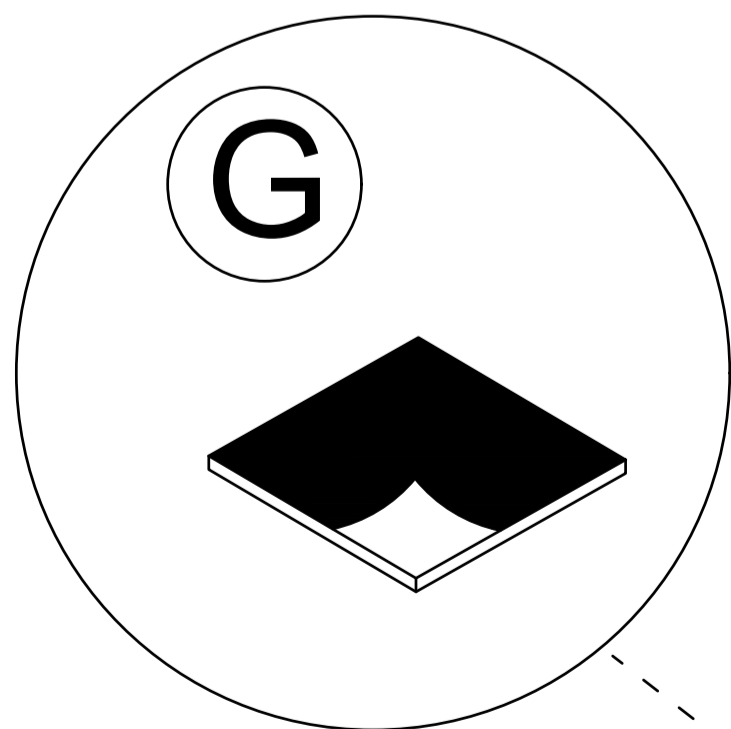
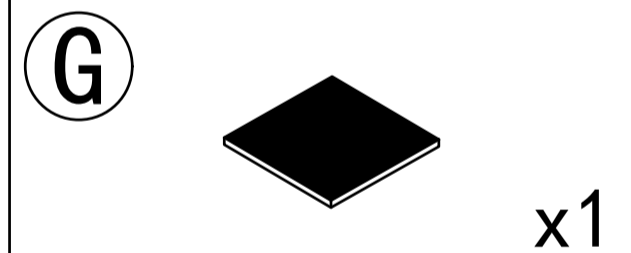
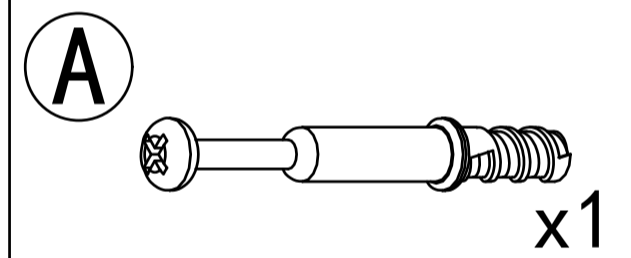
Step3



Use a screwdriver to lock in the direction of the "+" sign

Disassemble along the direction of "-" sign

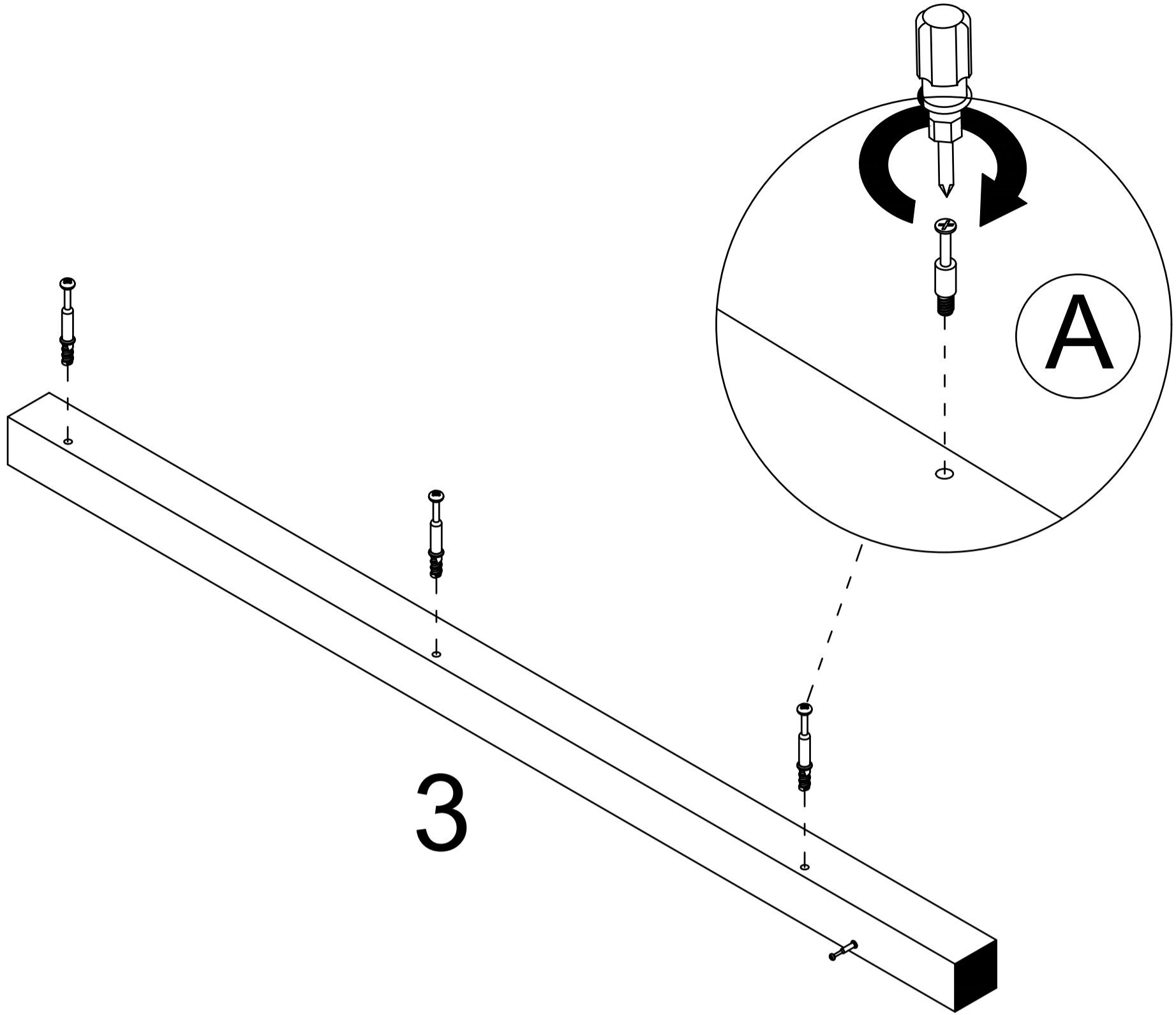
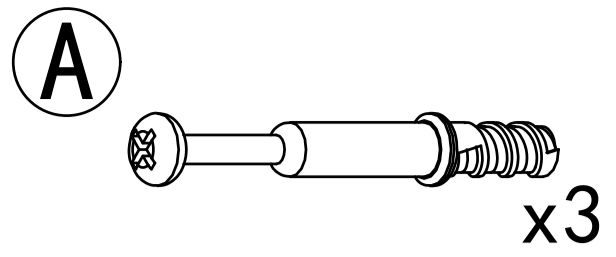
Step 1



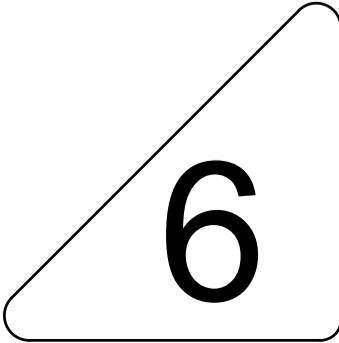
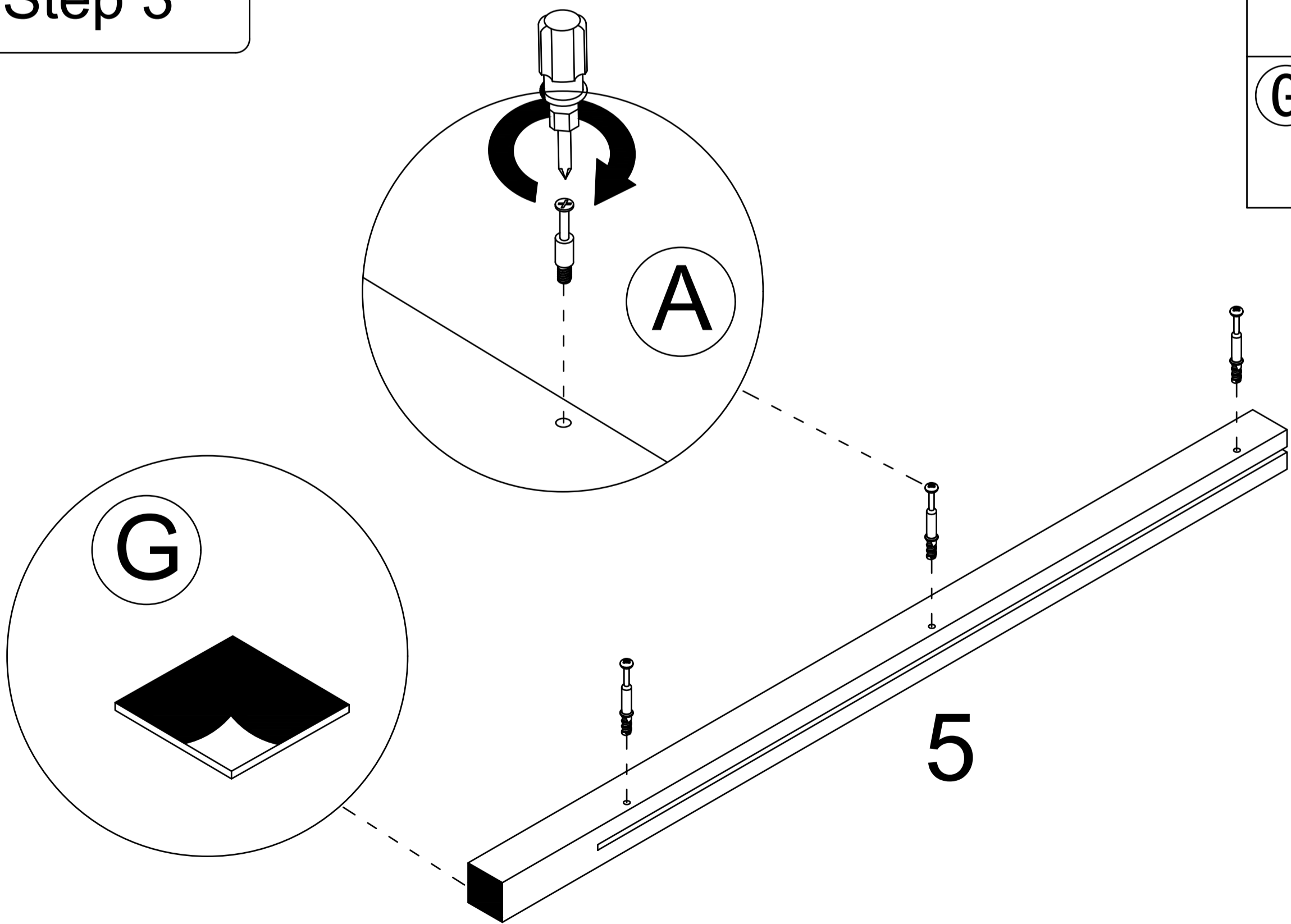
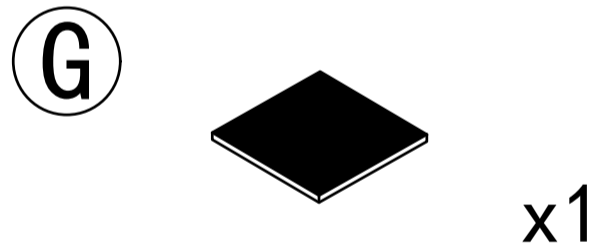
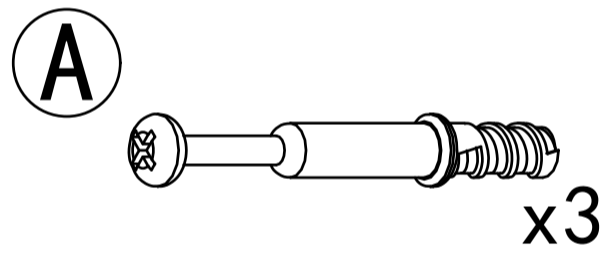
3

5


Step 2

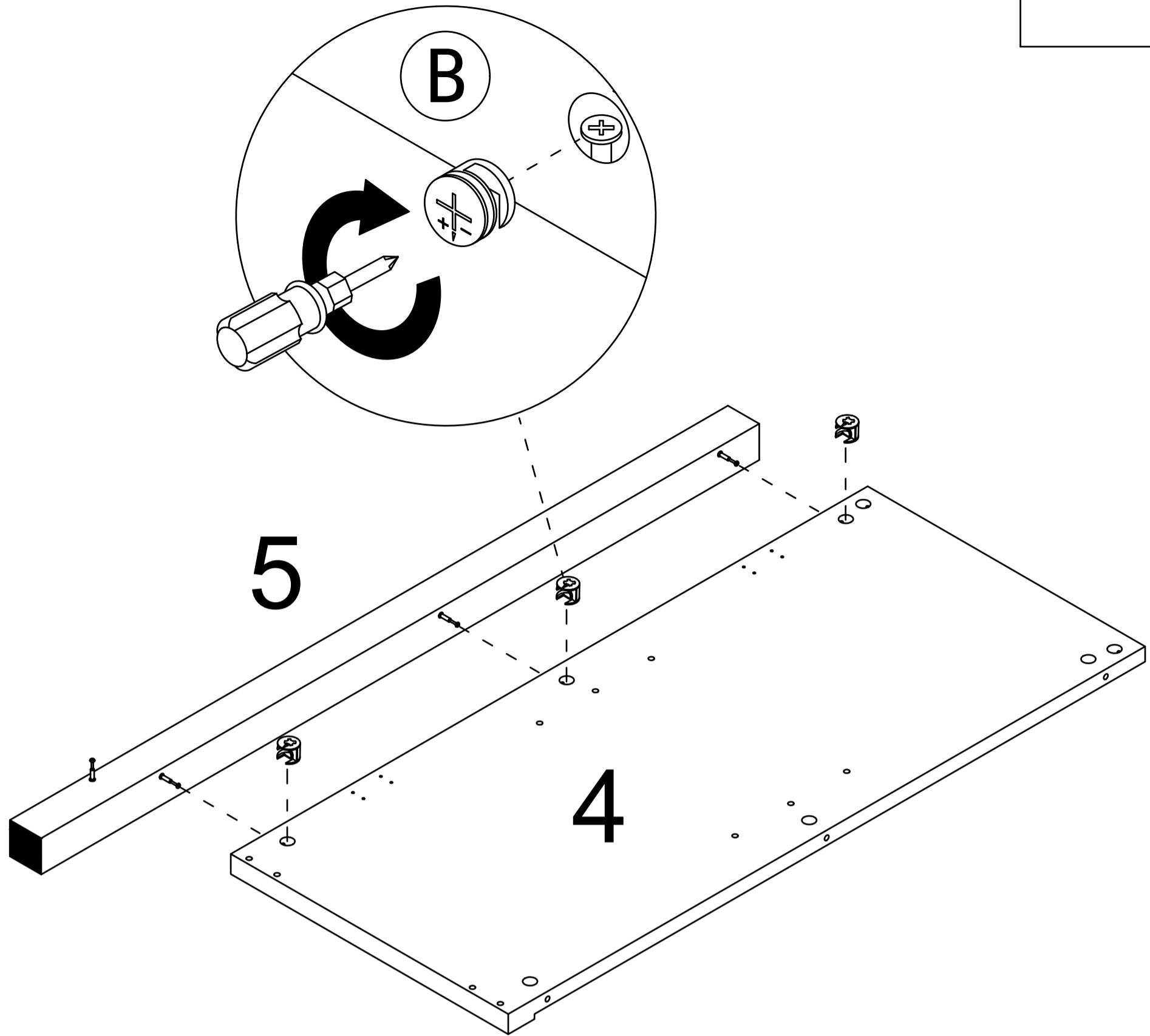


Step 3




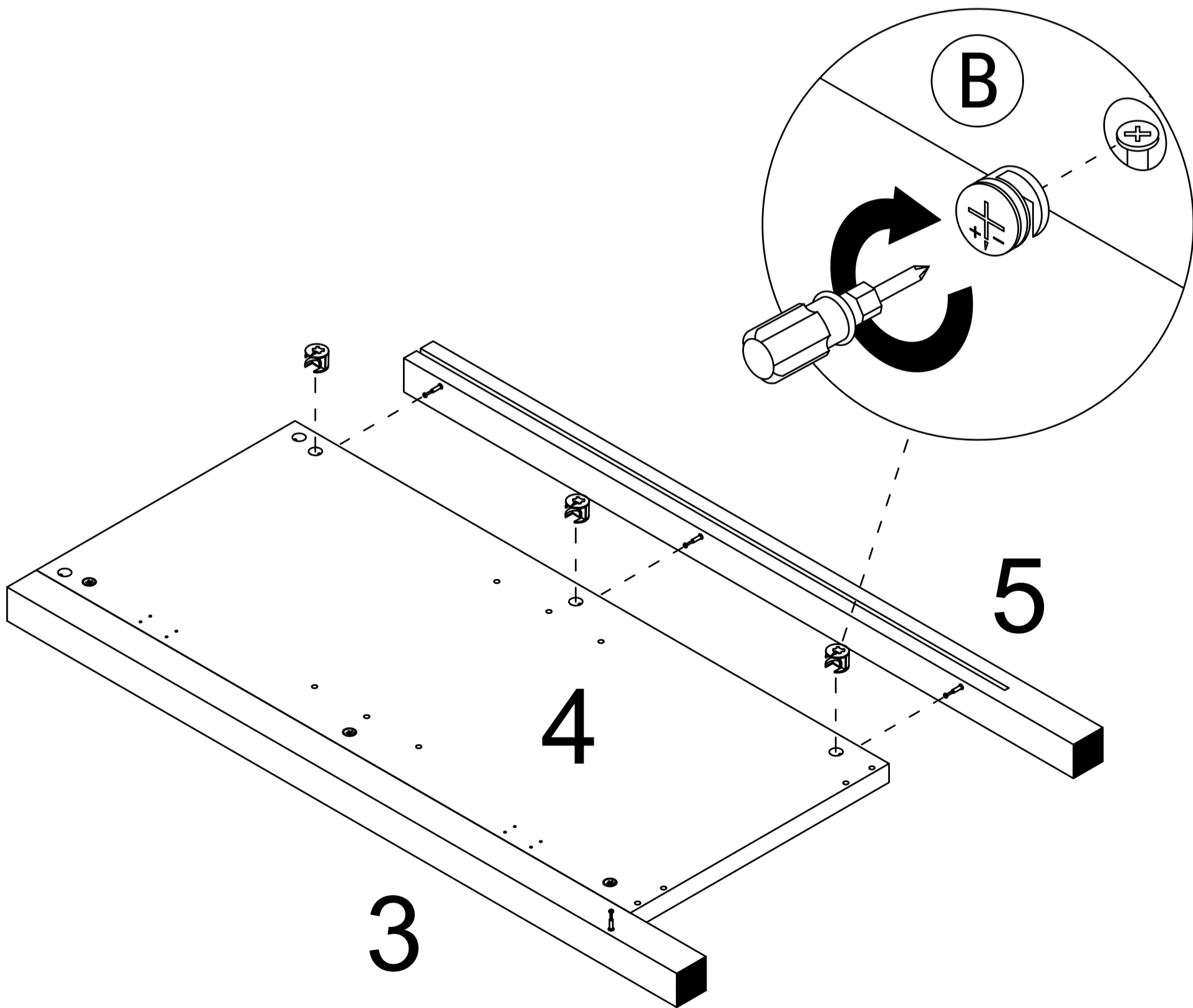
Step 4

B  x3

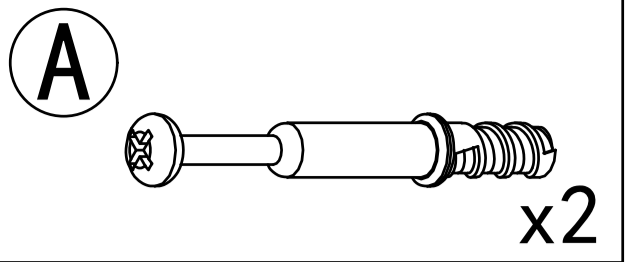
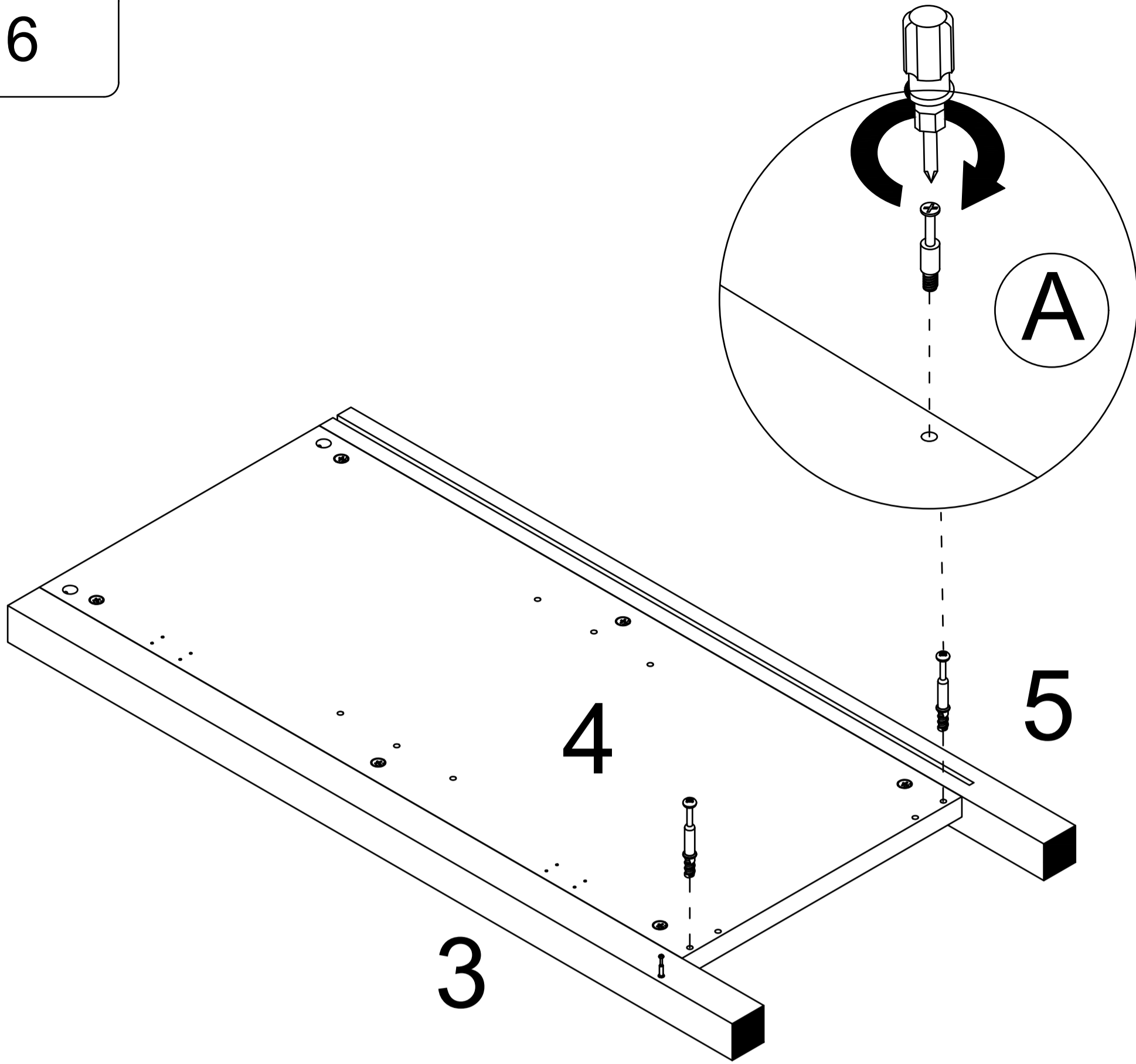


Step 5

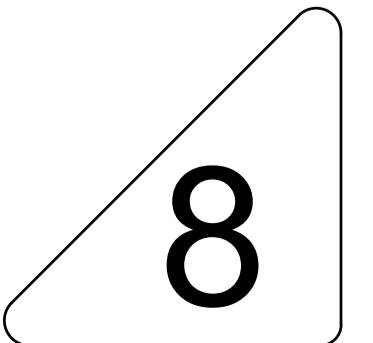
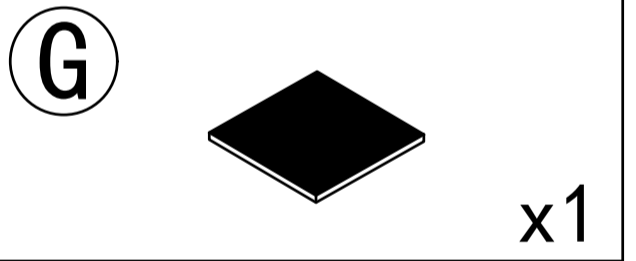
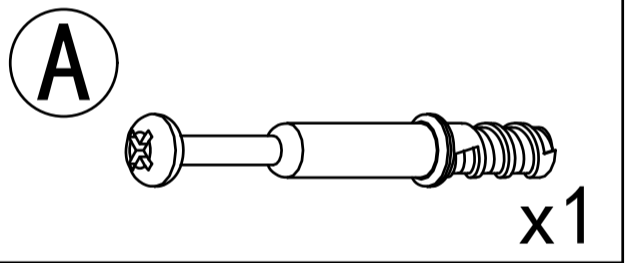
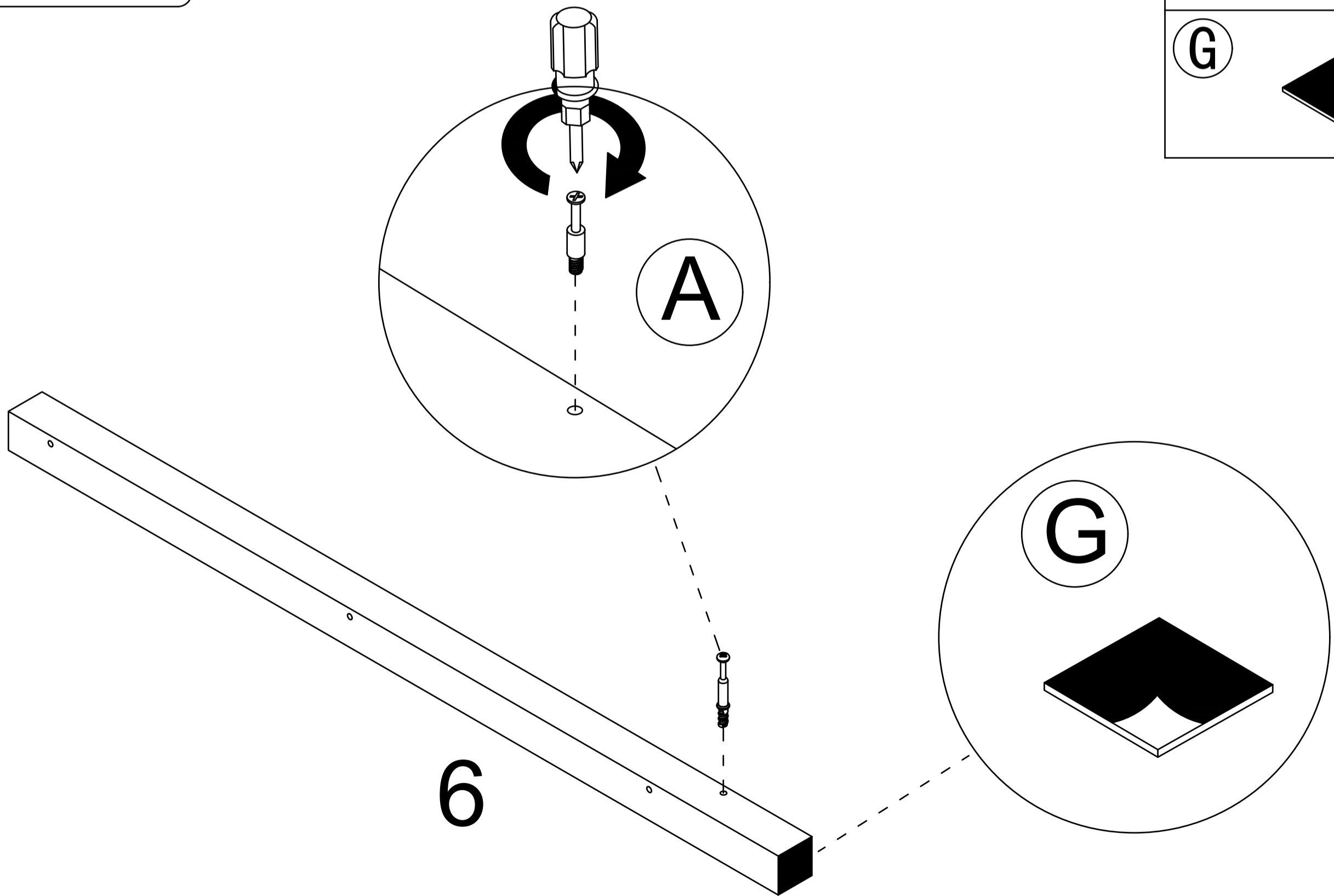
B  x3



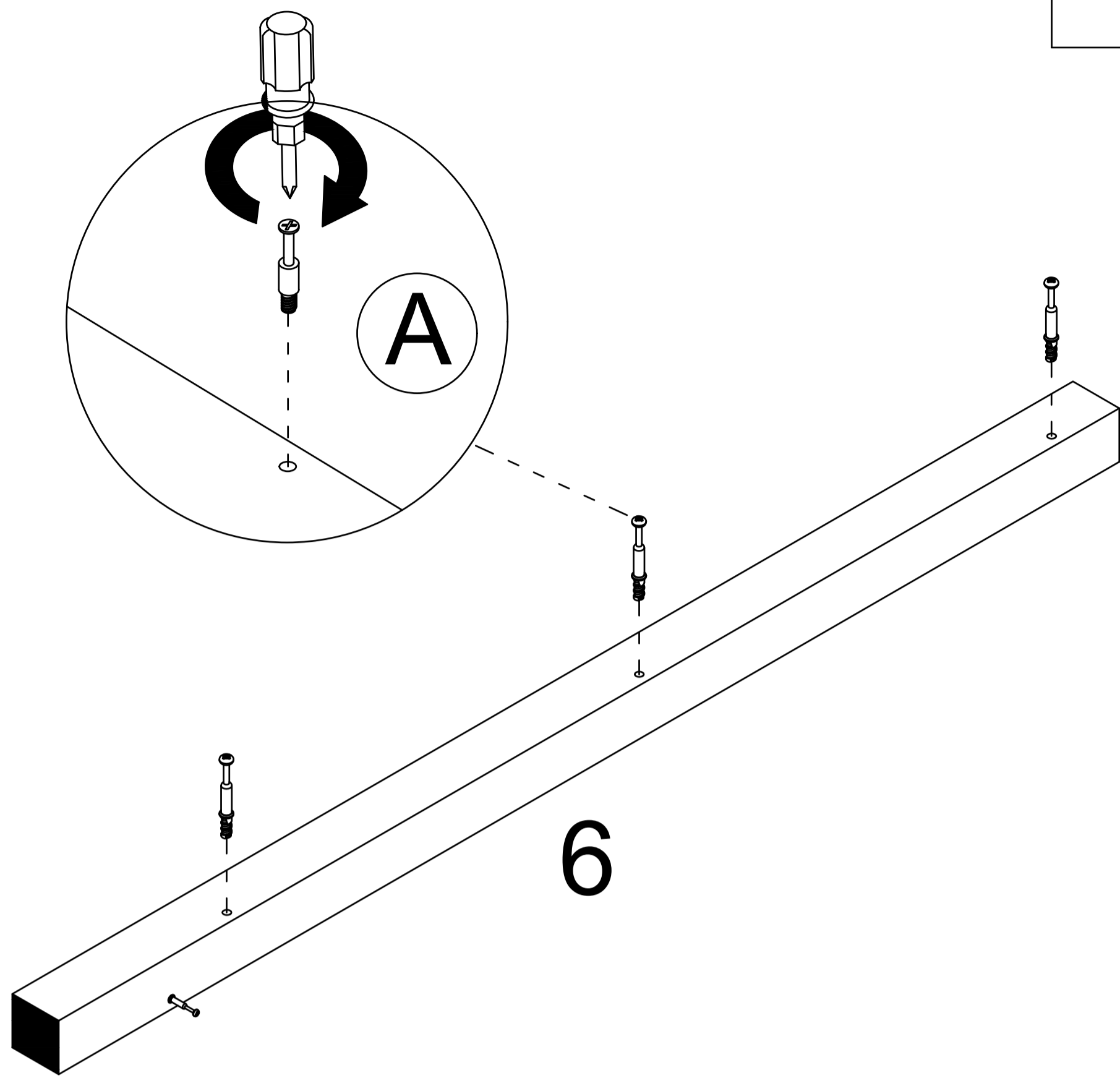
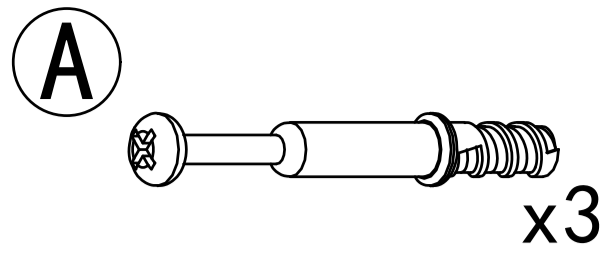
Step 6



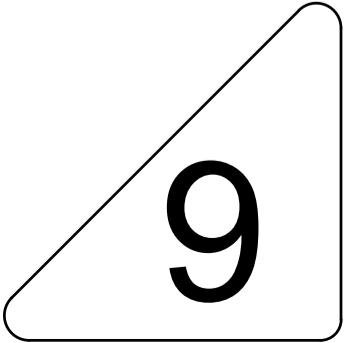
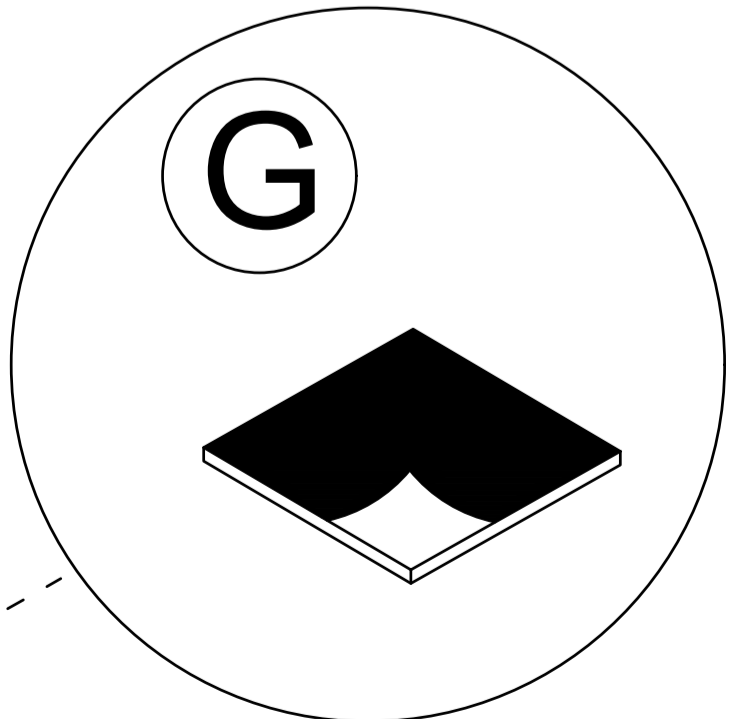
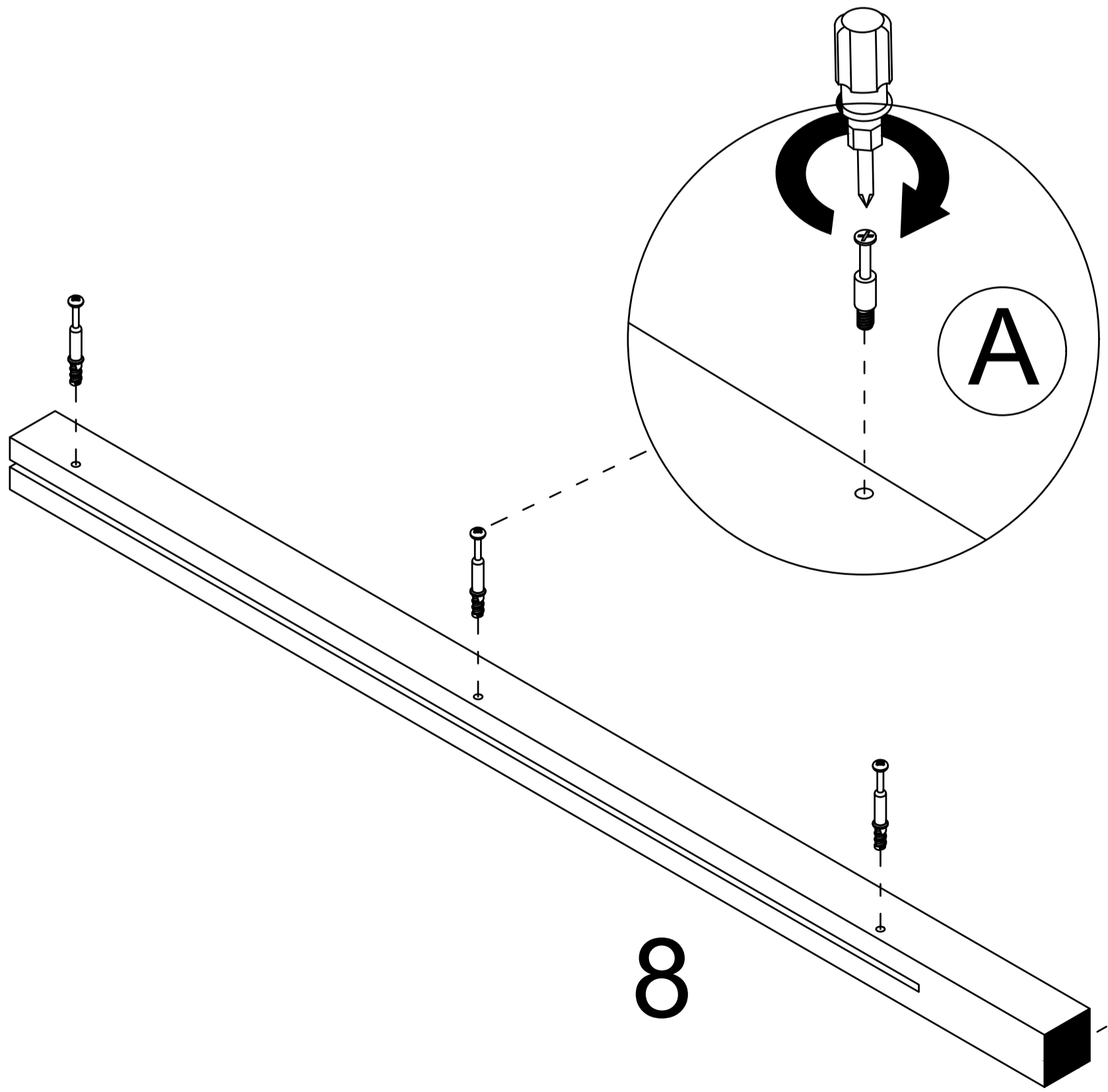
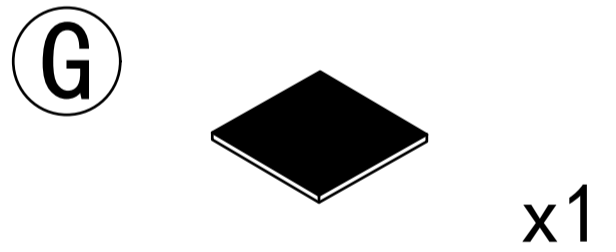
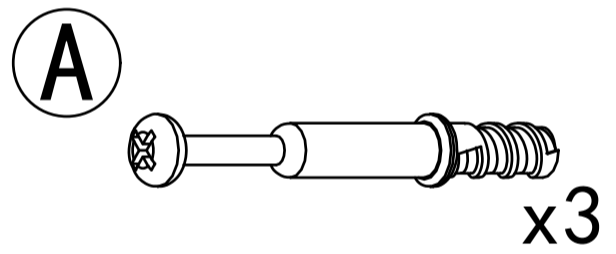
Step 7



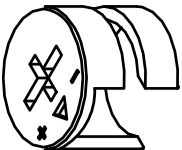
Step 8

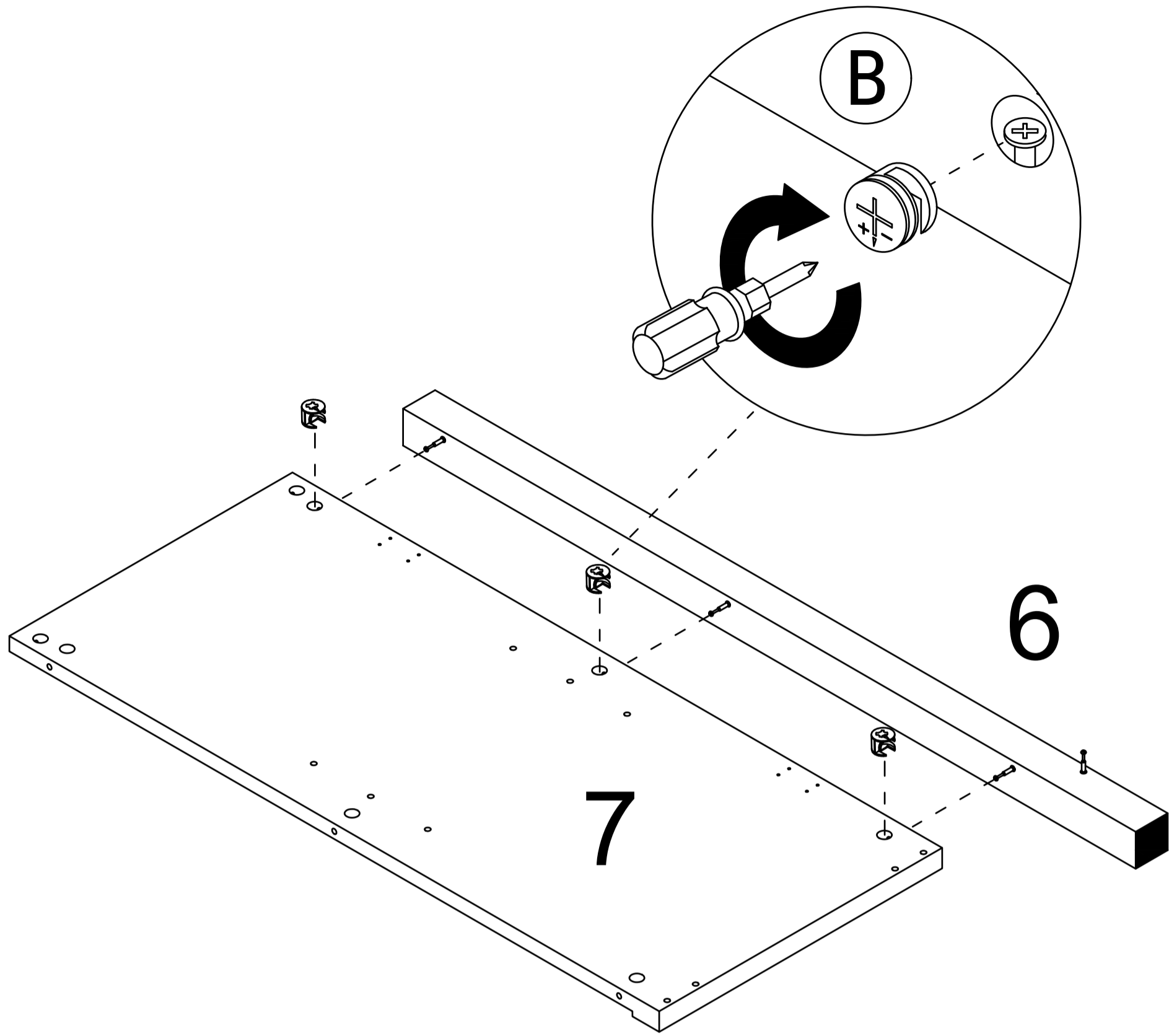


Step 9




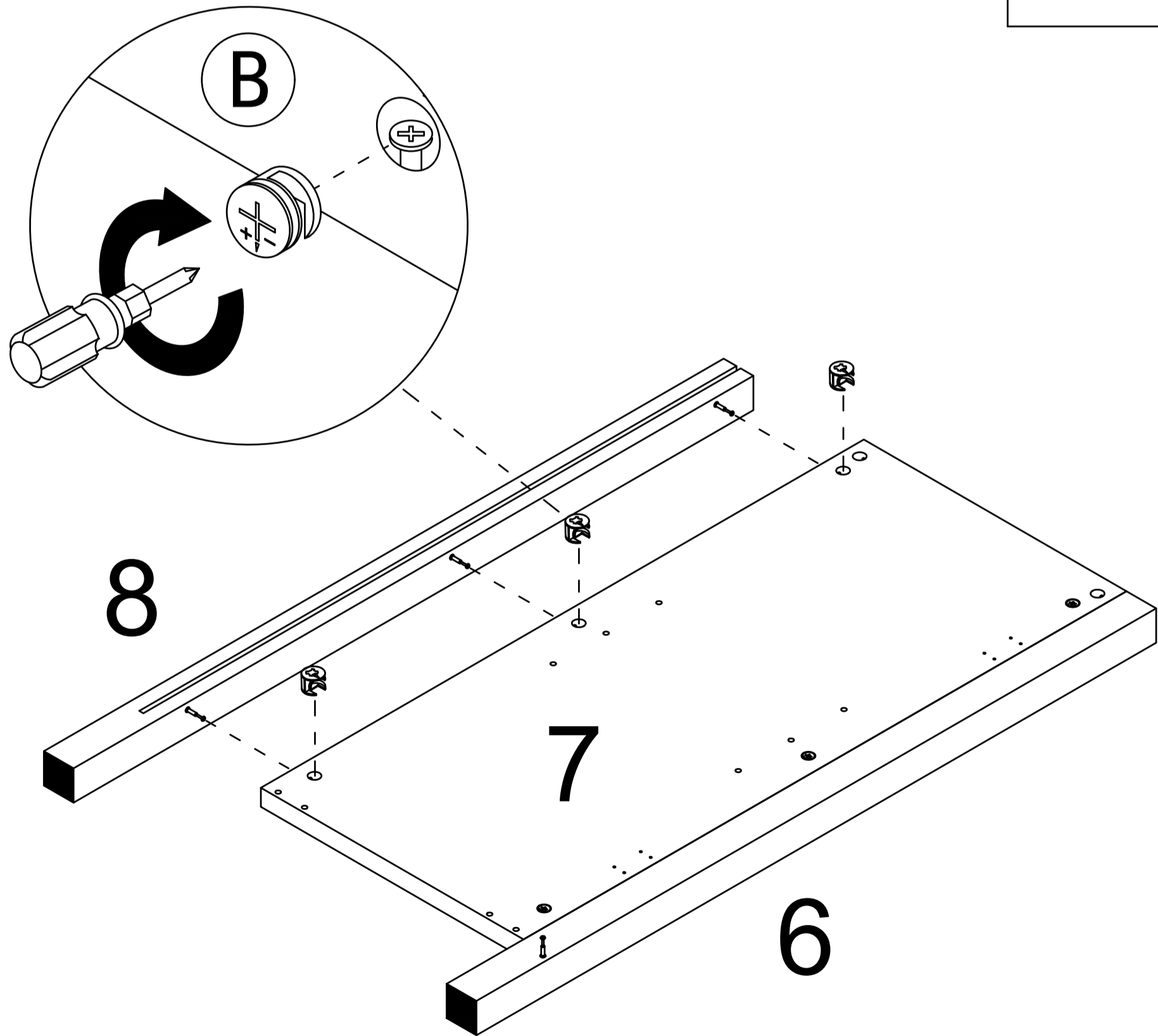
Step 10

B  x3

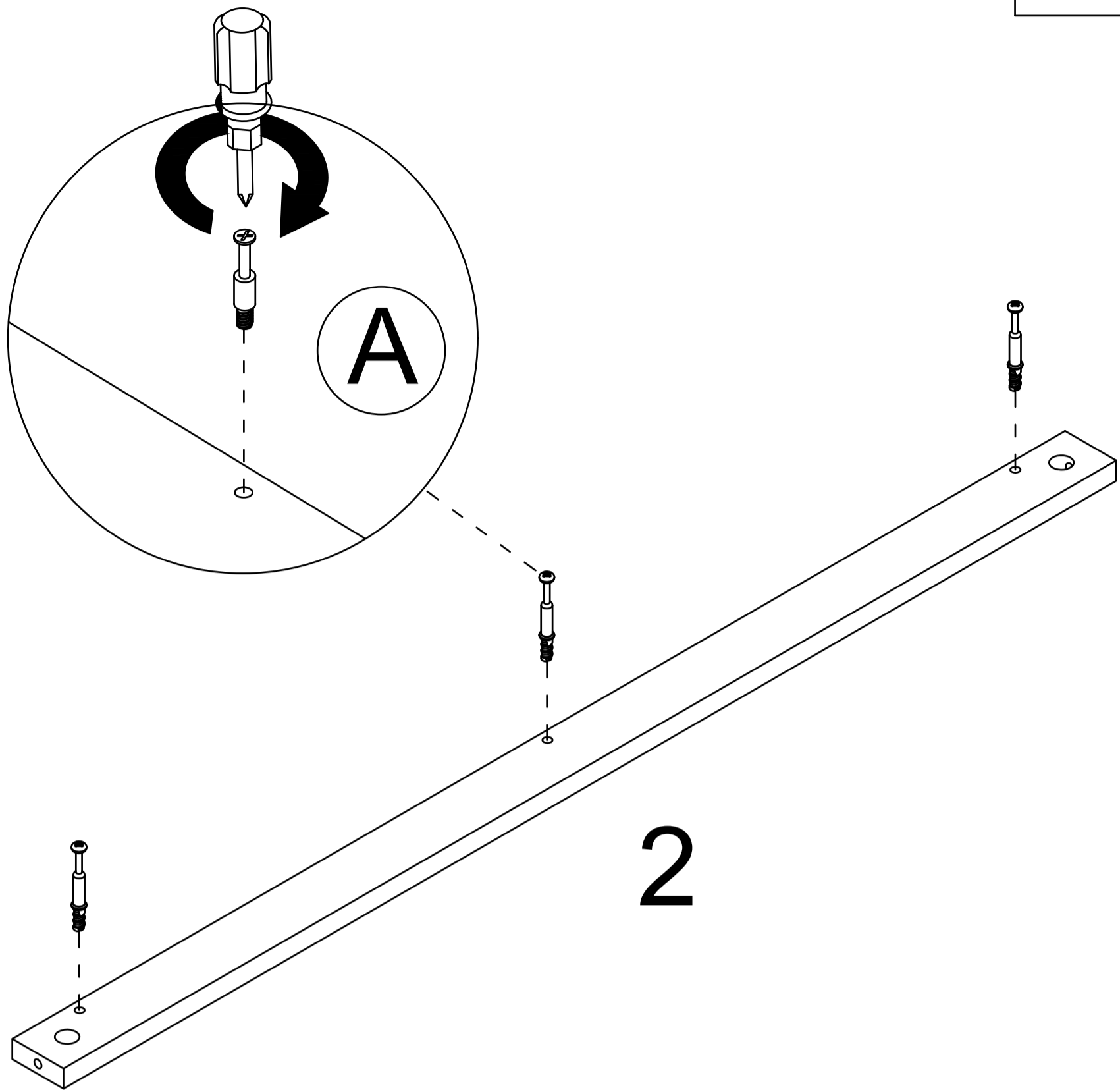
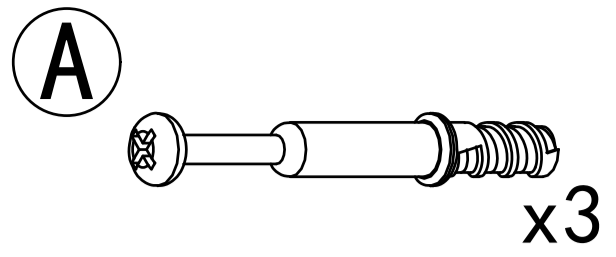


Step 11

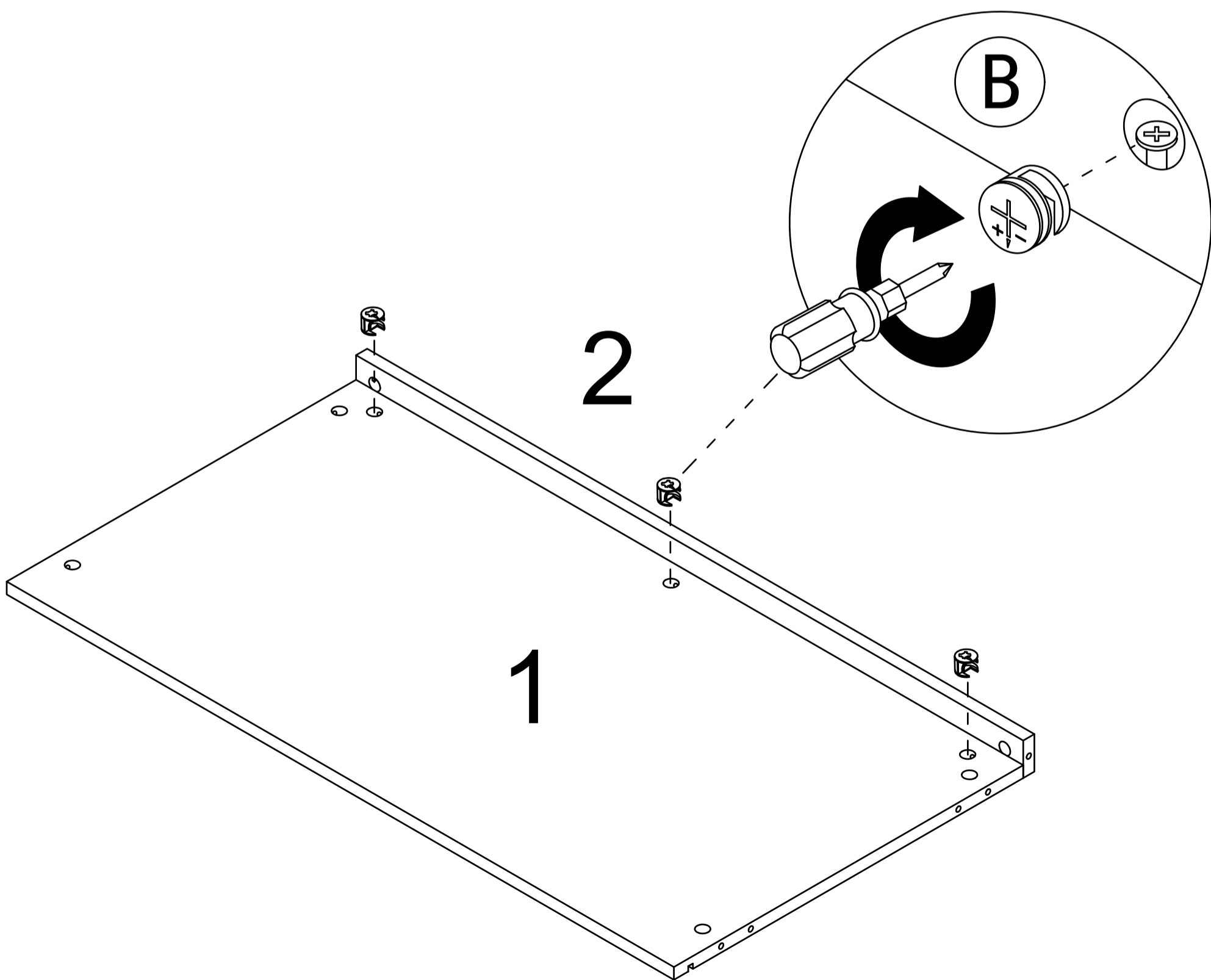
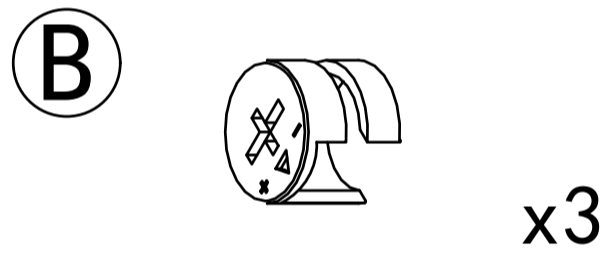
B  x3



Step 12



Step 13

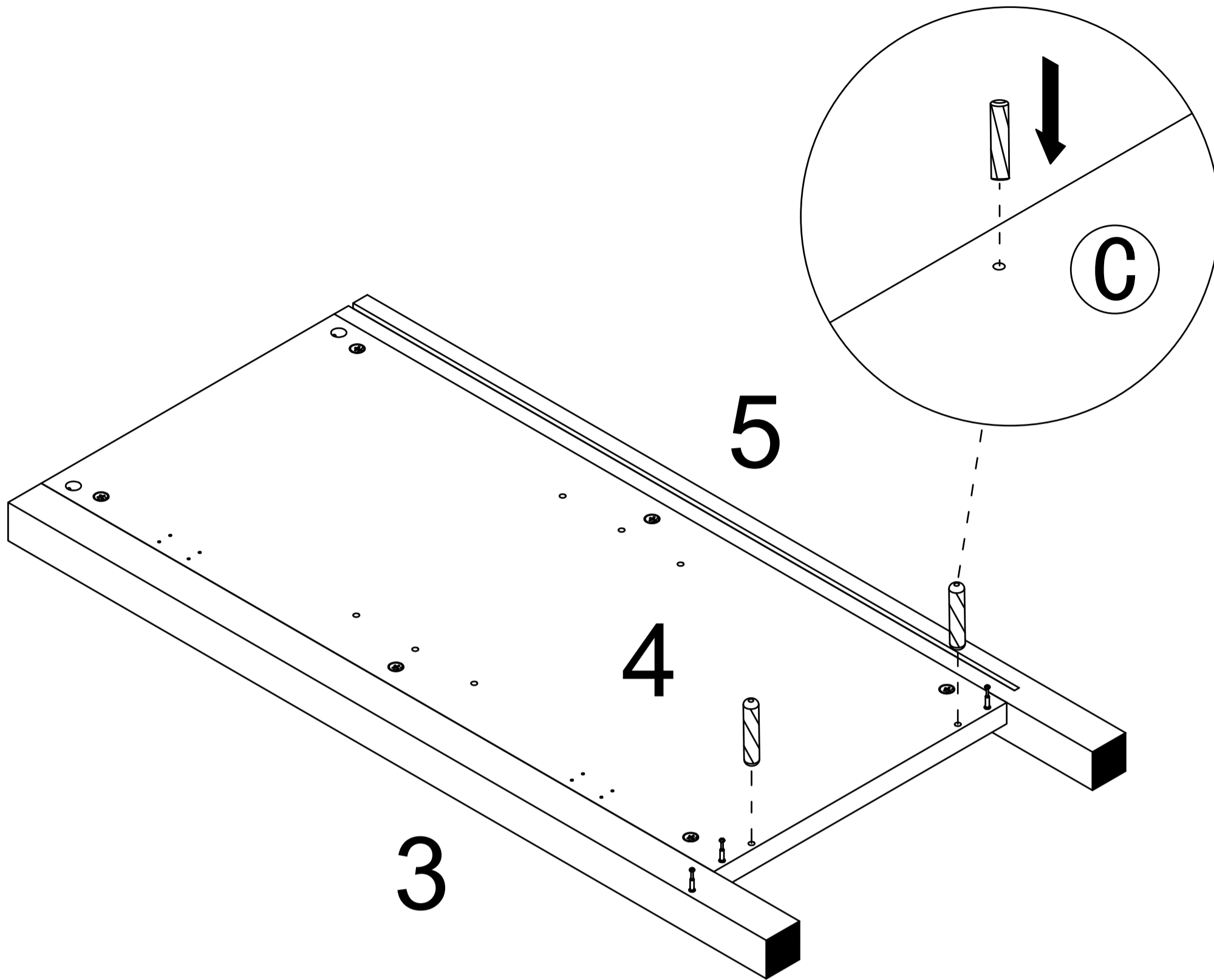


Step 14

C

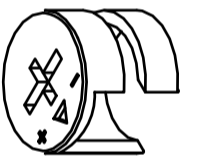


x2

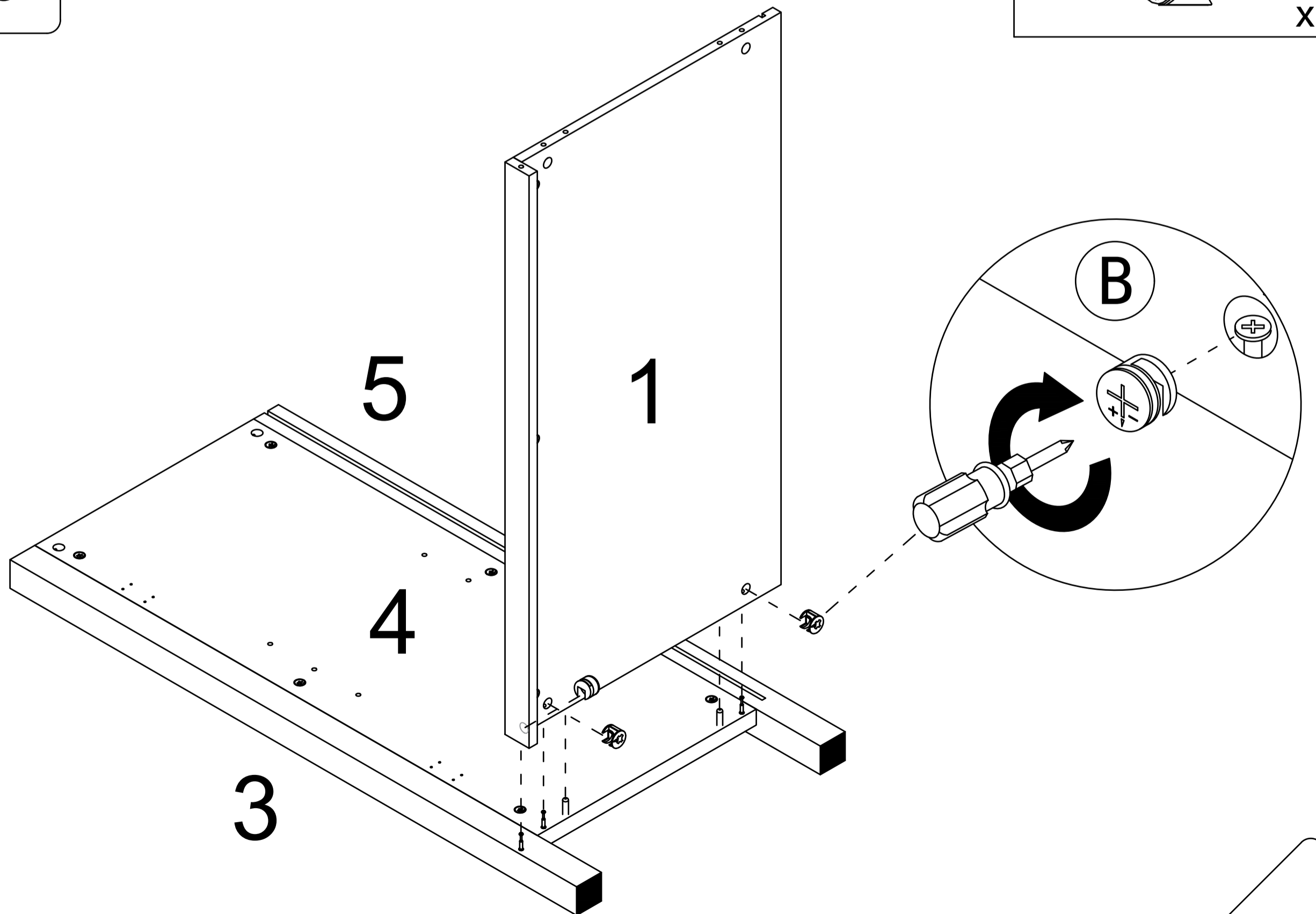


Step 15

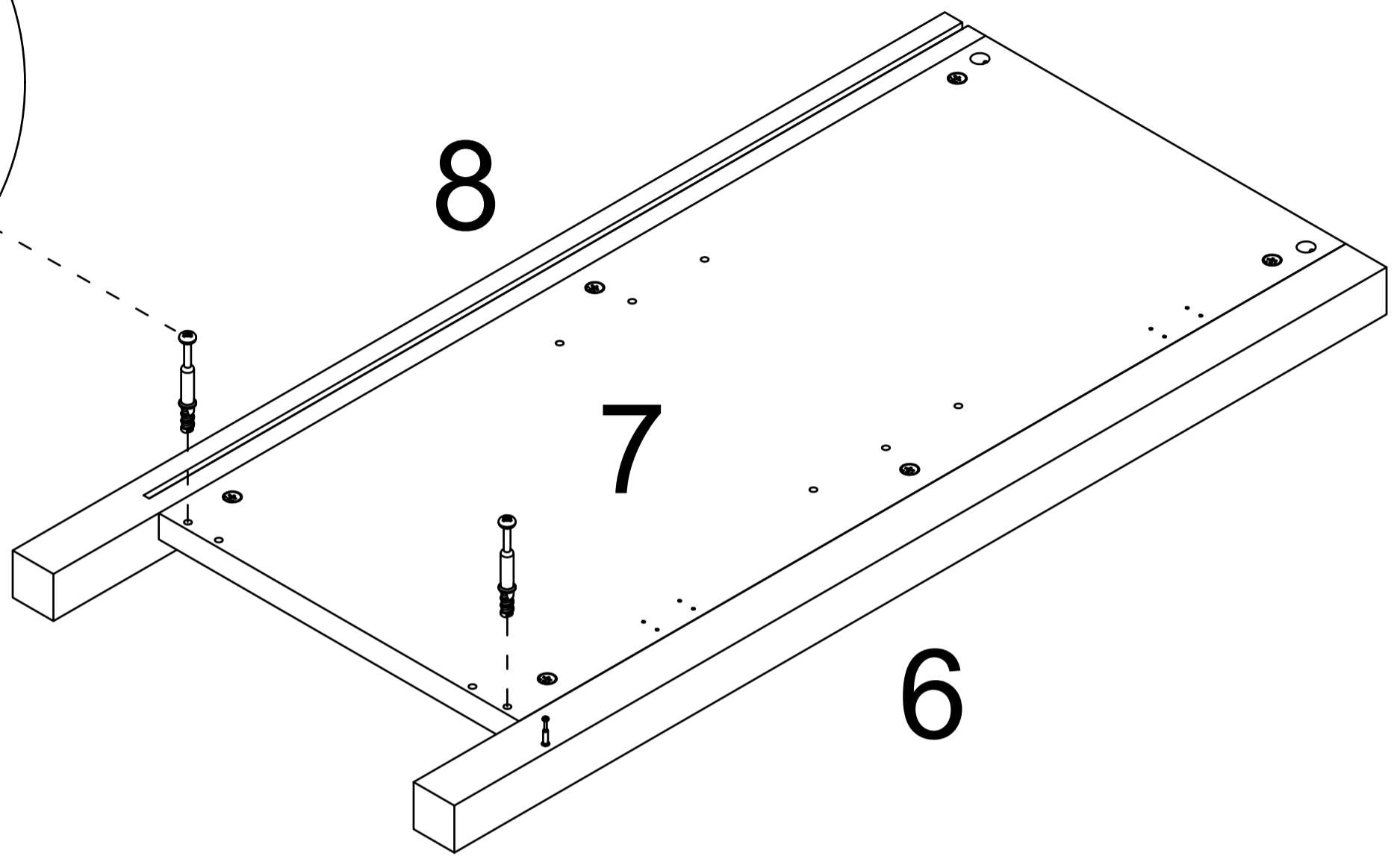
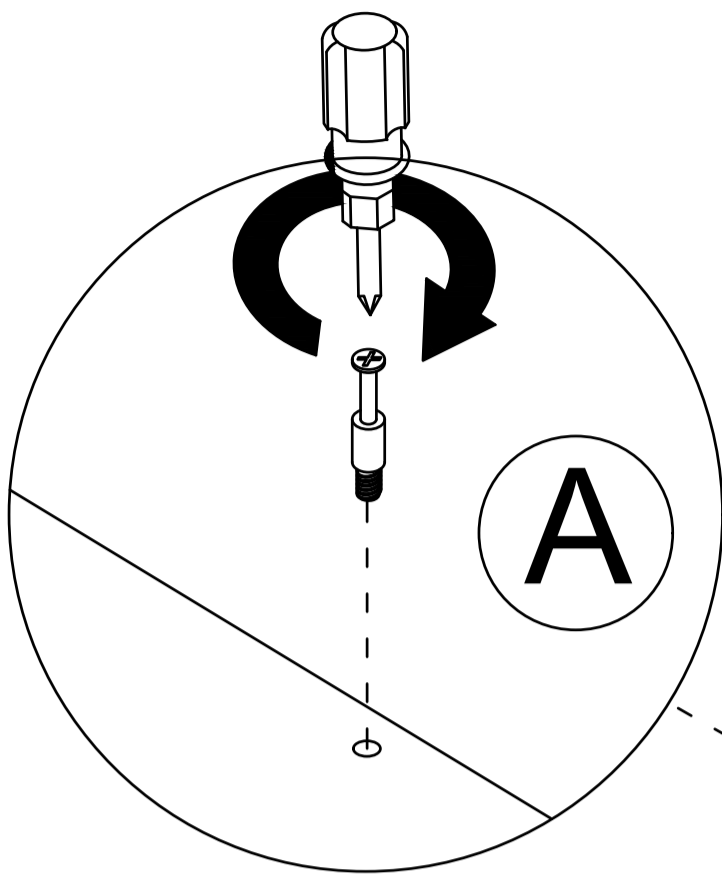
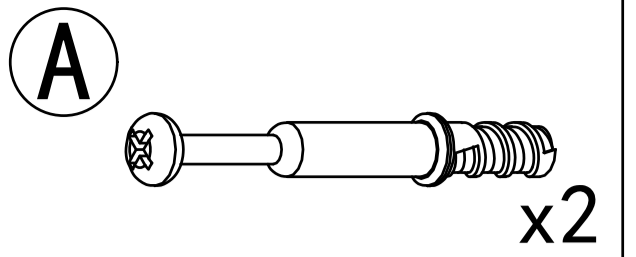
B



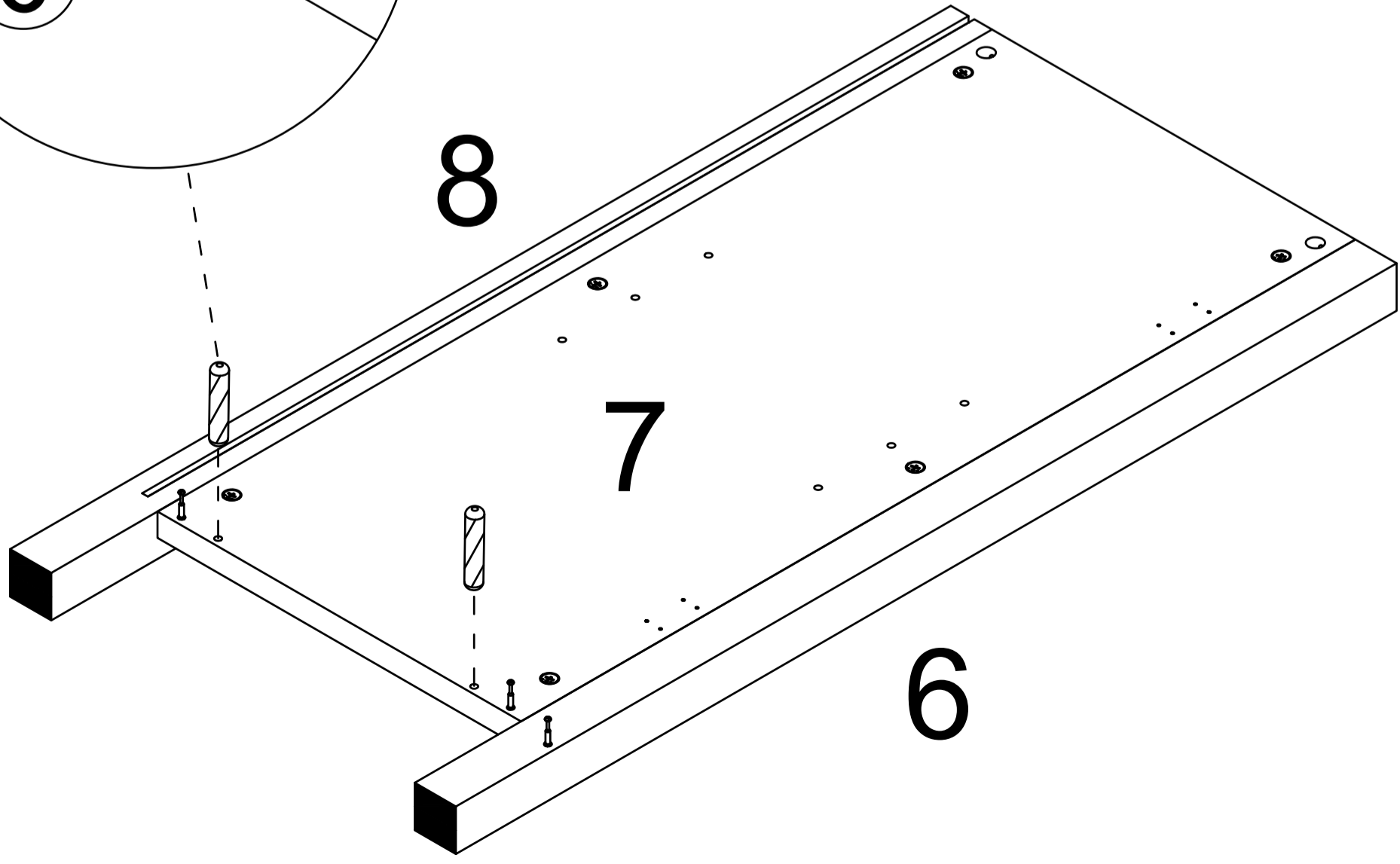
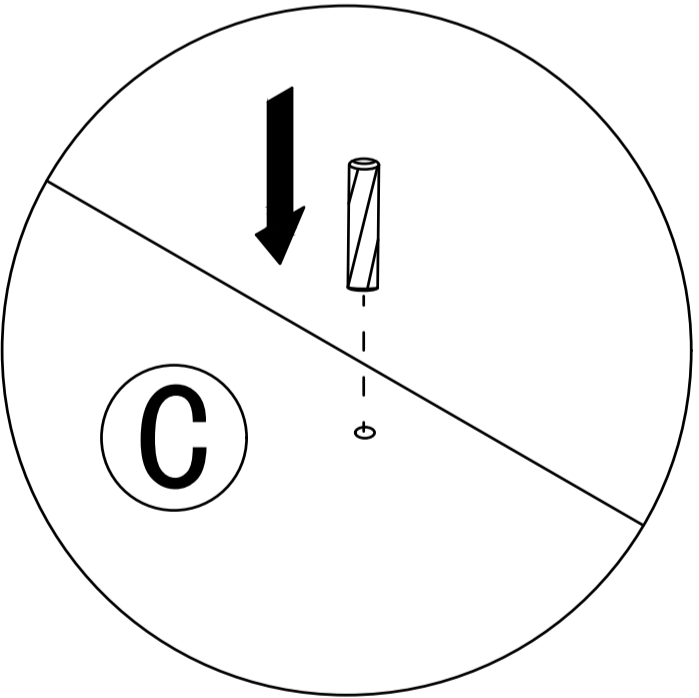
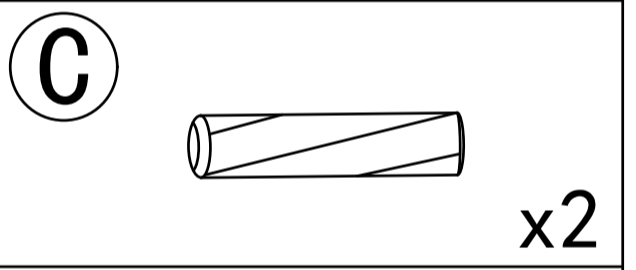
x3



Step 16

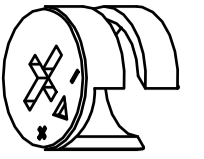


Step 17

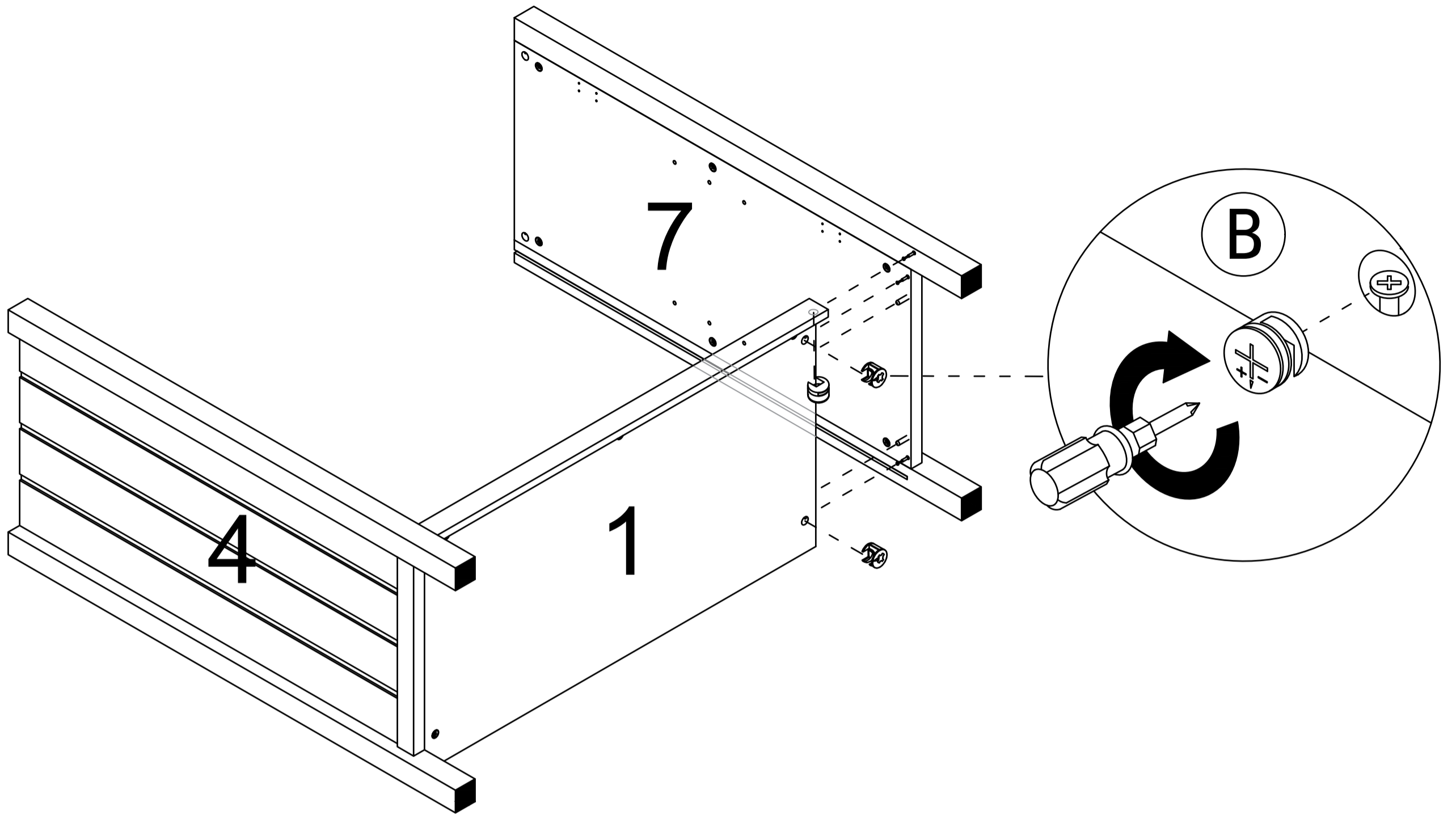


Step 18

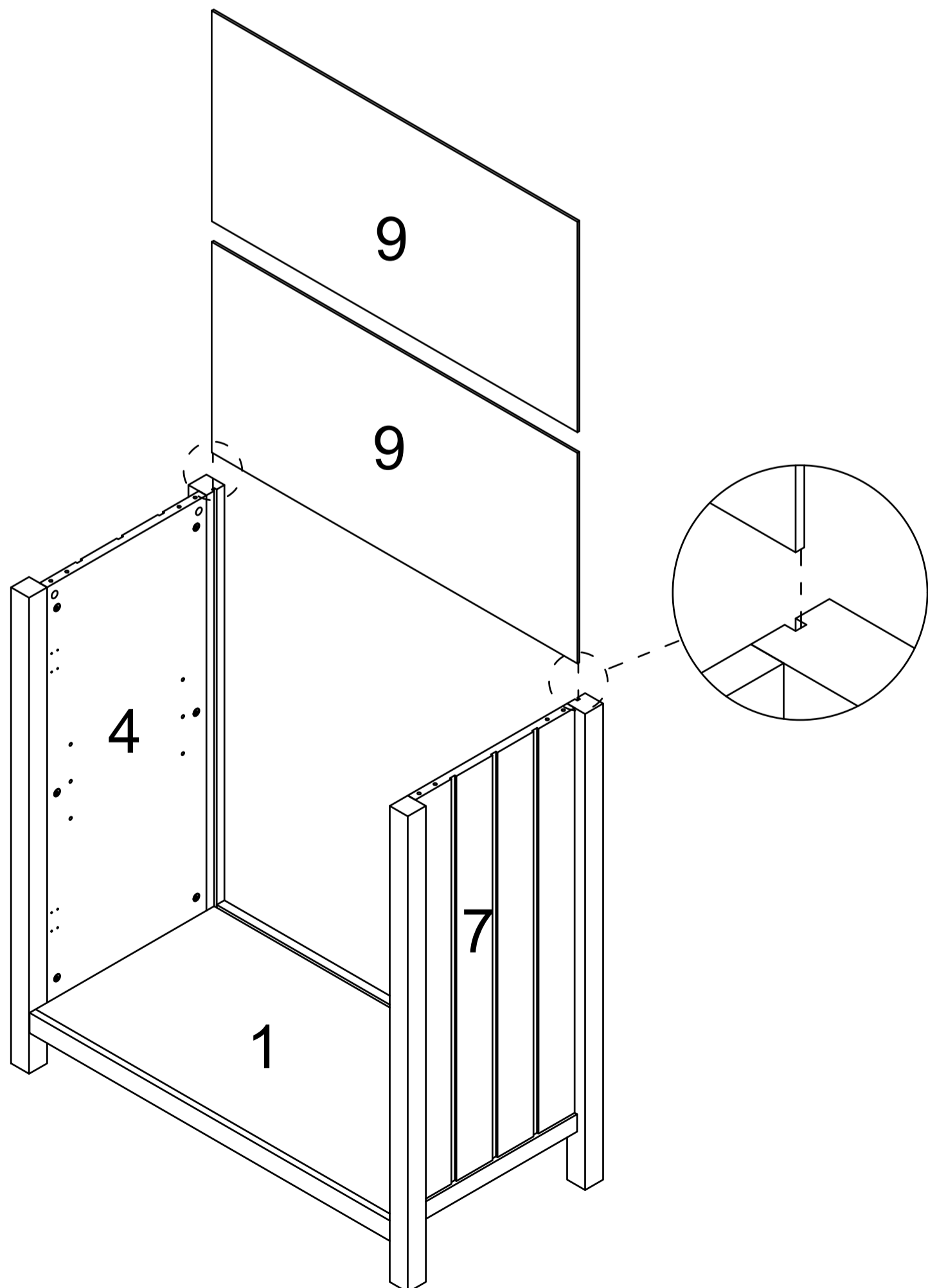
B



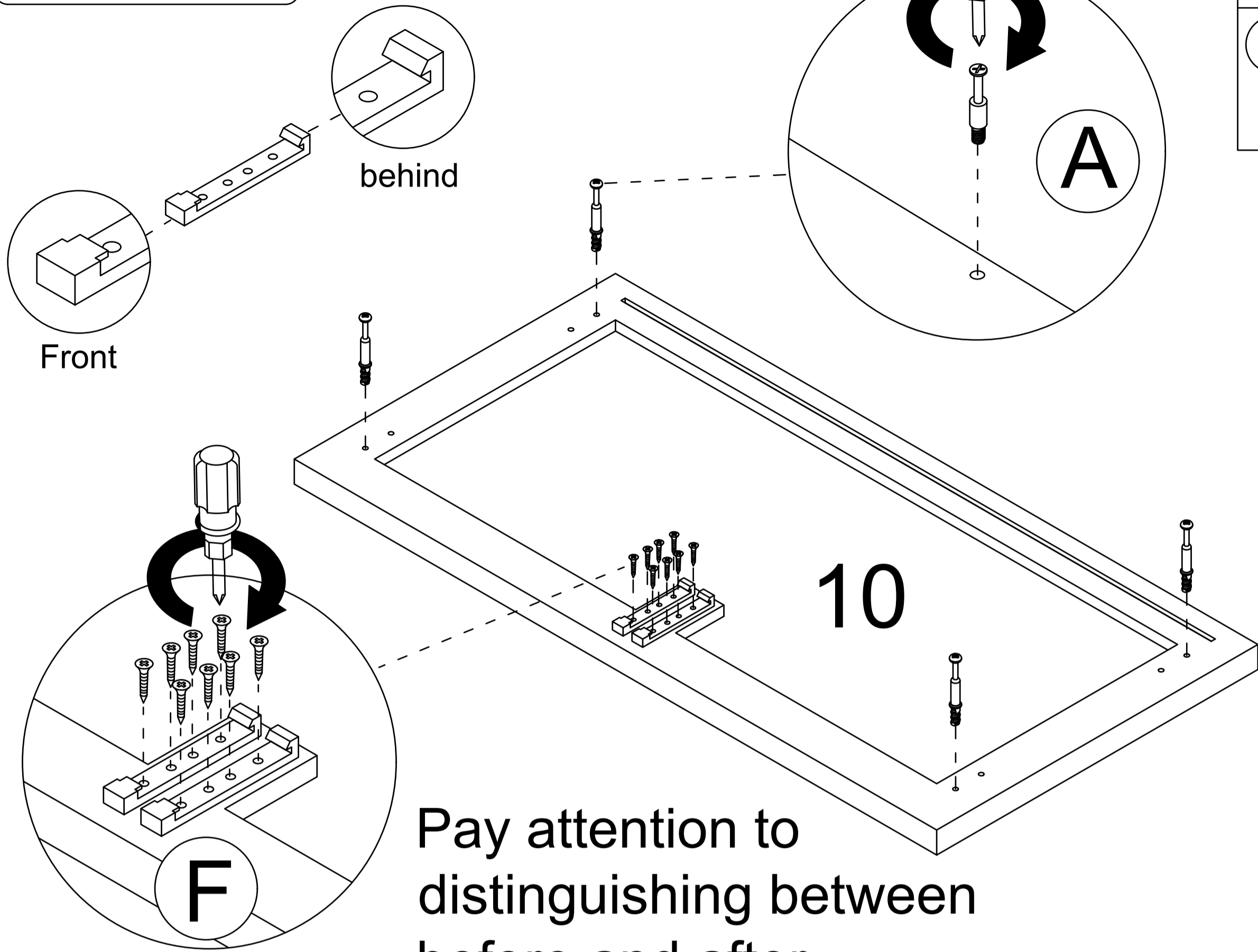
x3



Step 19

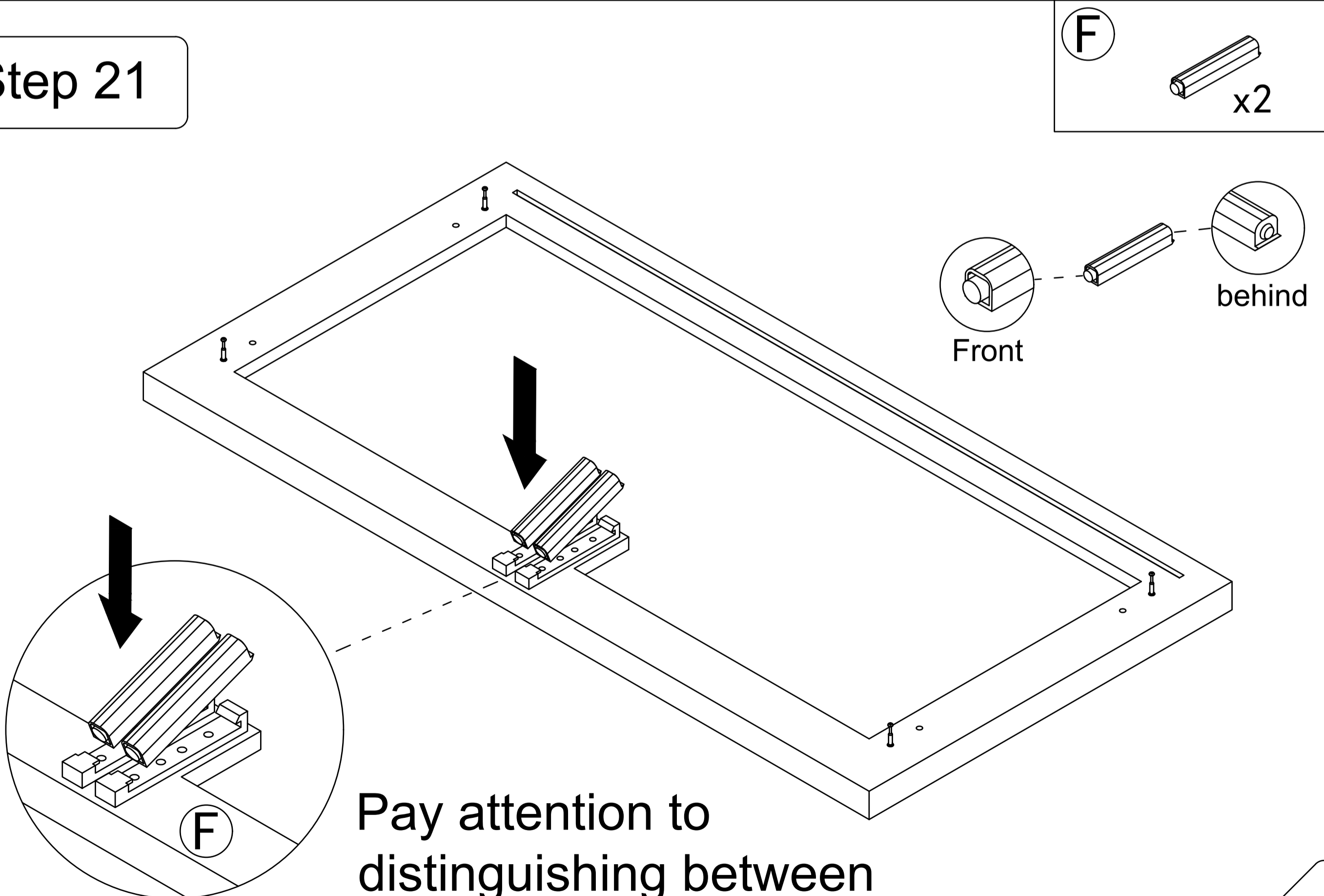


Step 20



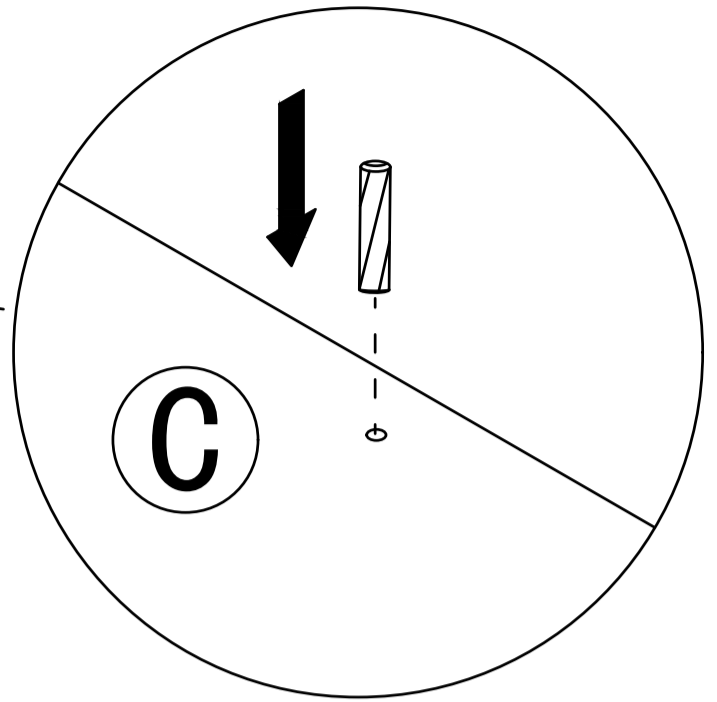
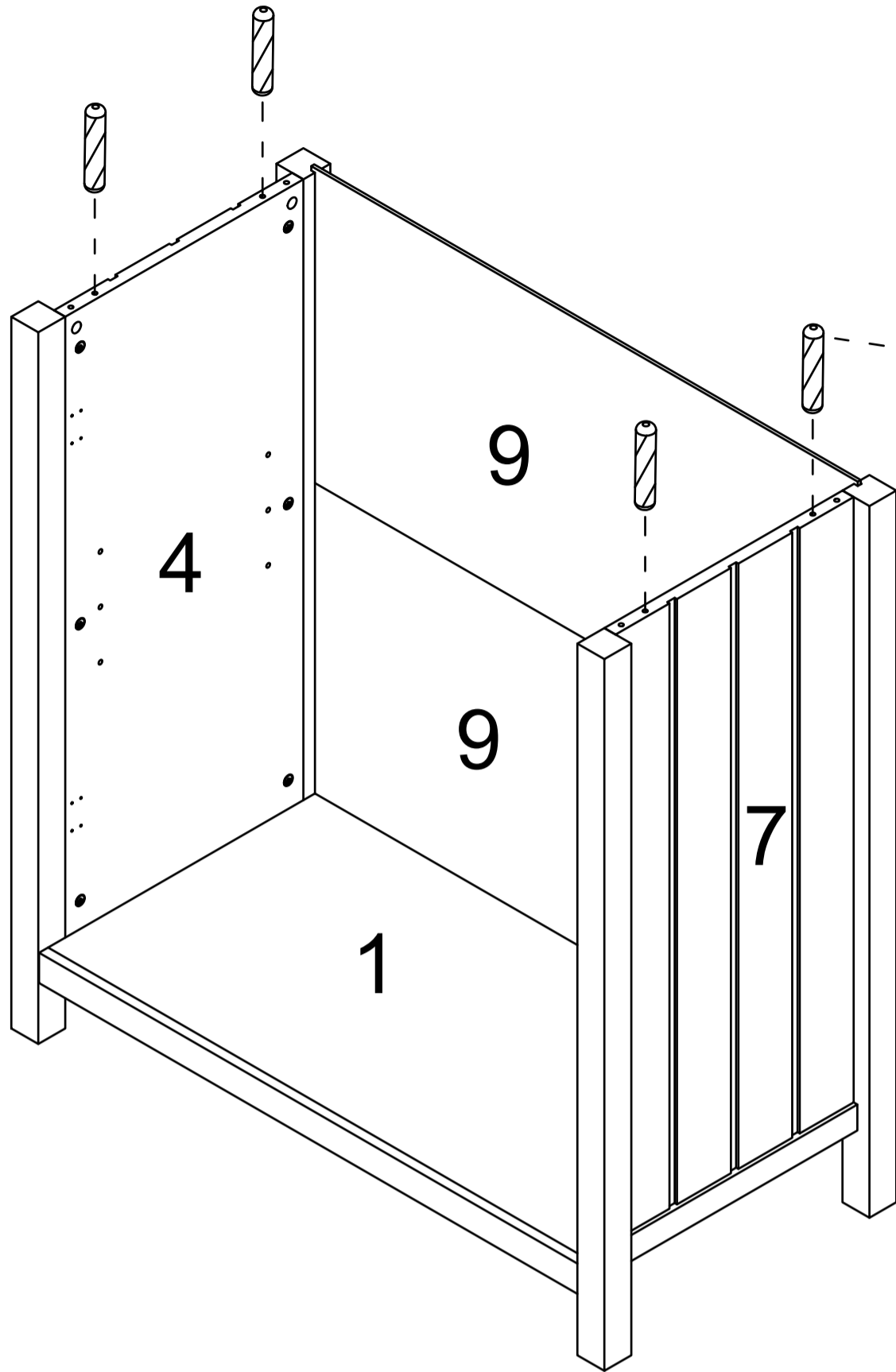
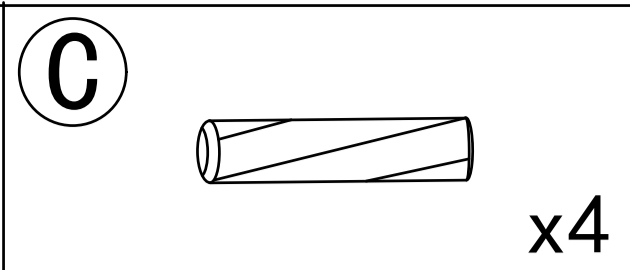
Pay attention to distinguishing between before and after

Step 21

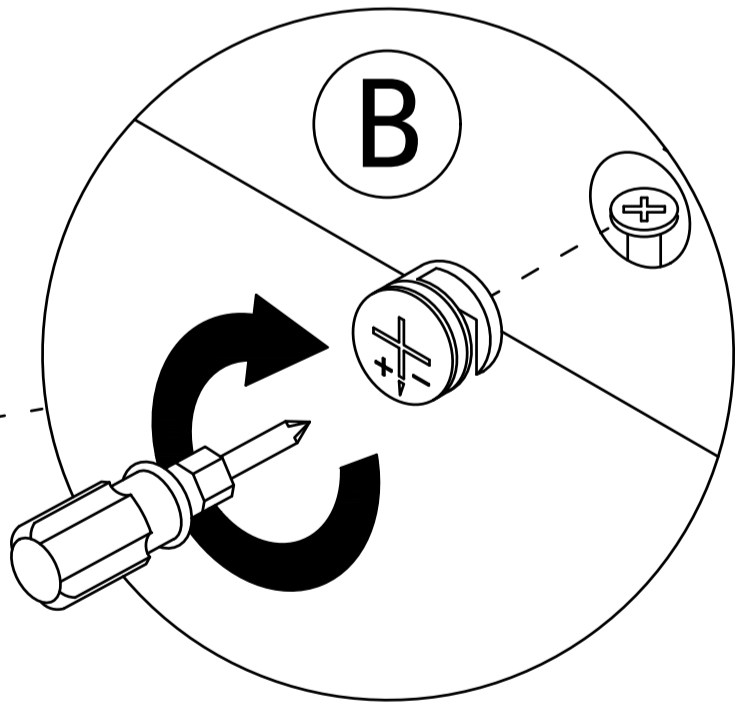
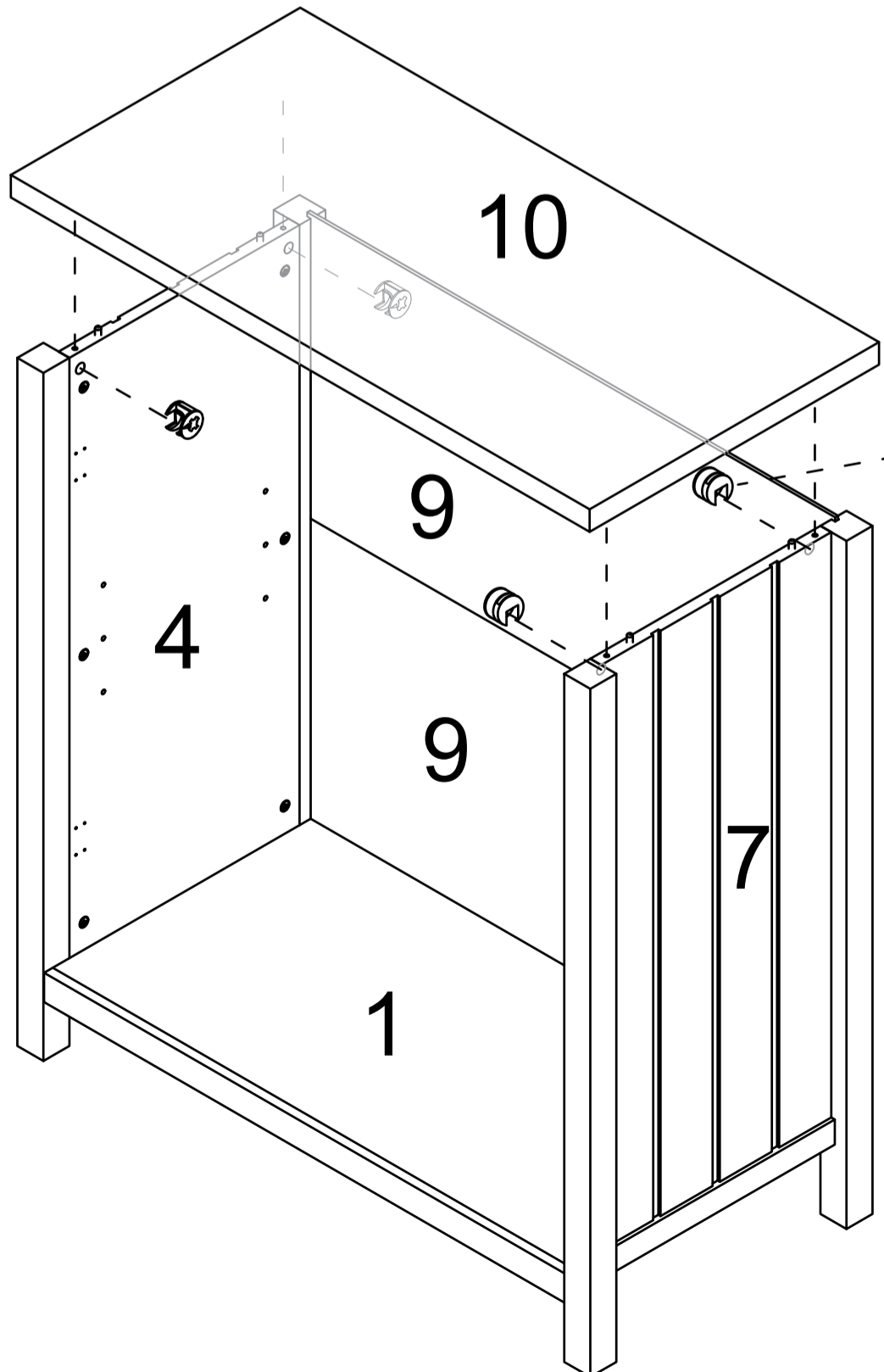
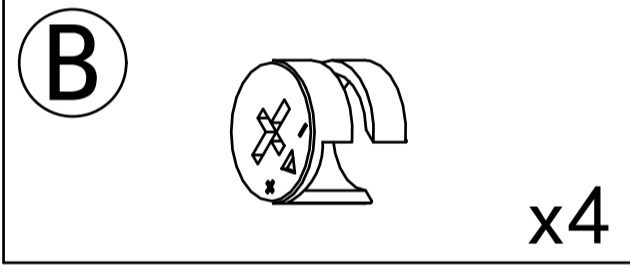


Pay attention to distinguishing between before and after

Step 22

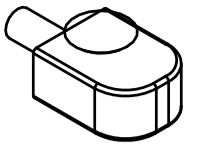


Step 23

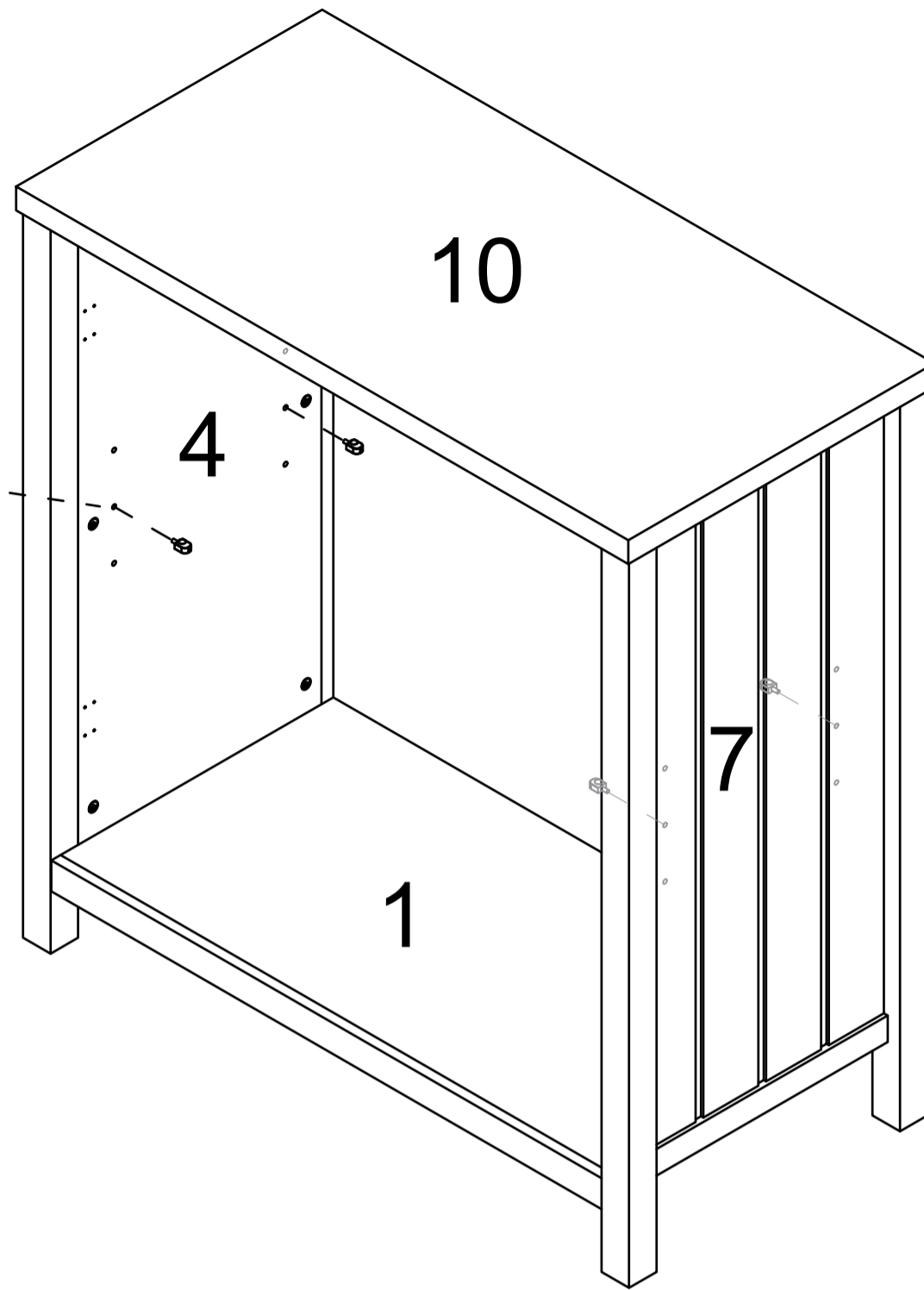
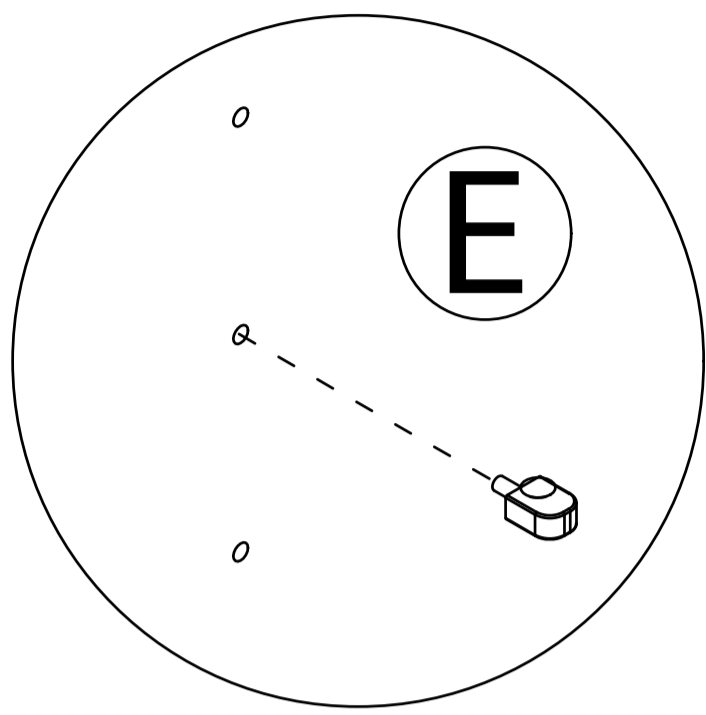


Step 24

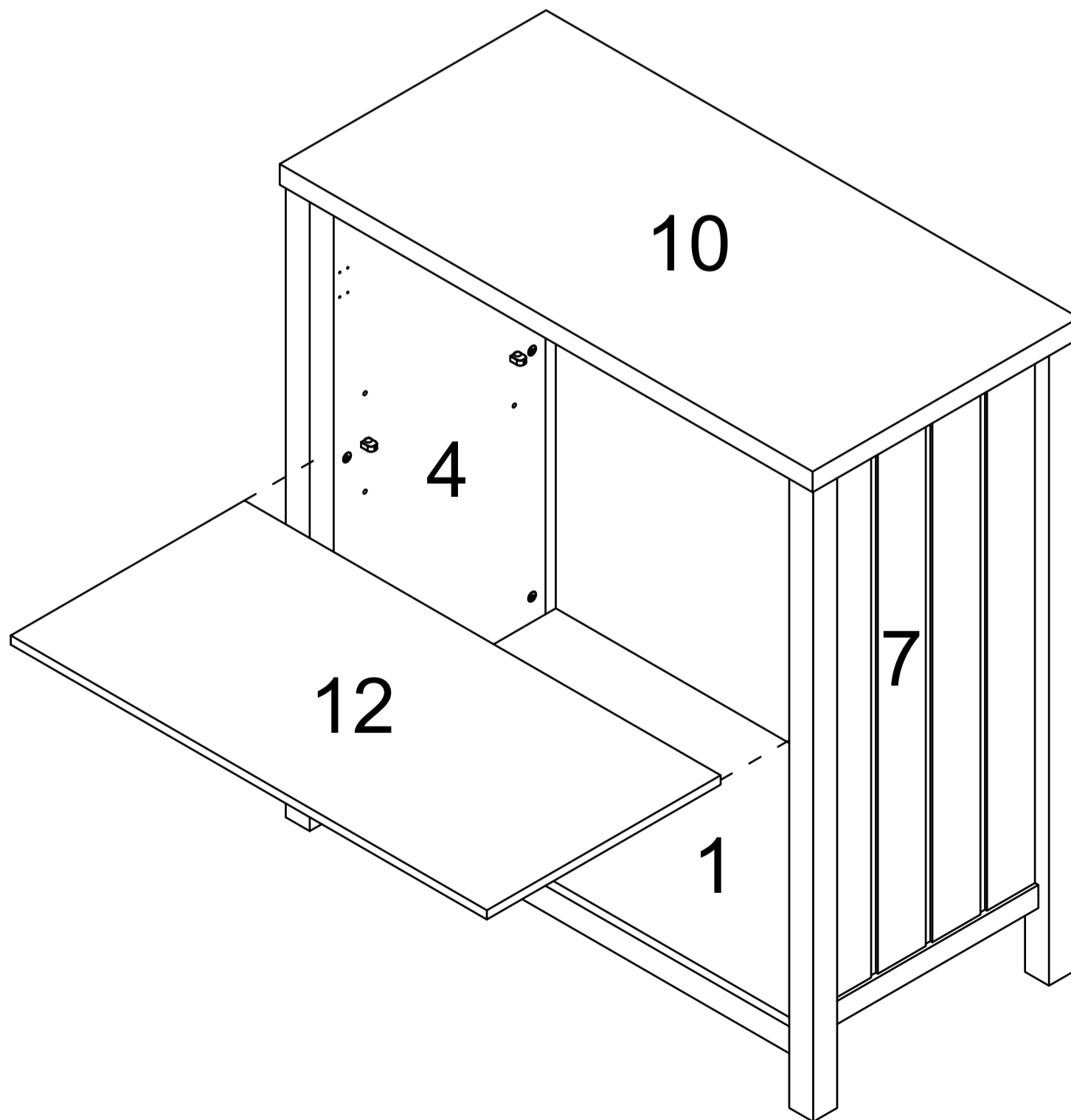
E



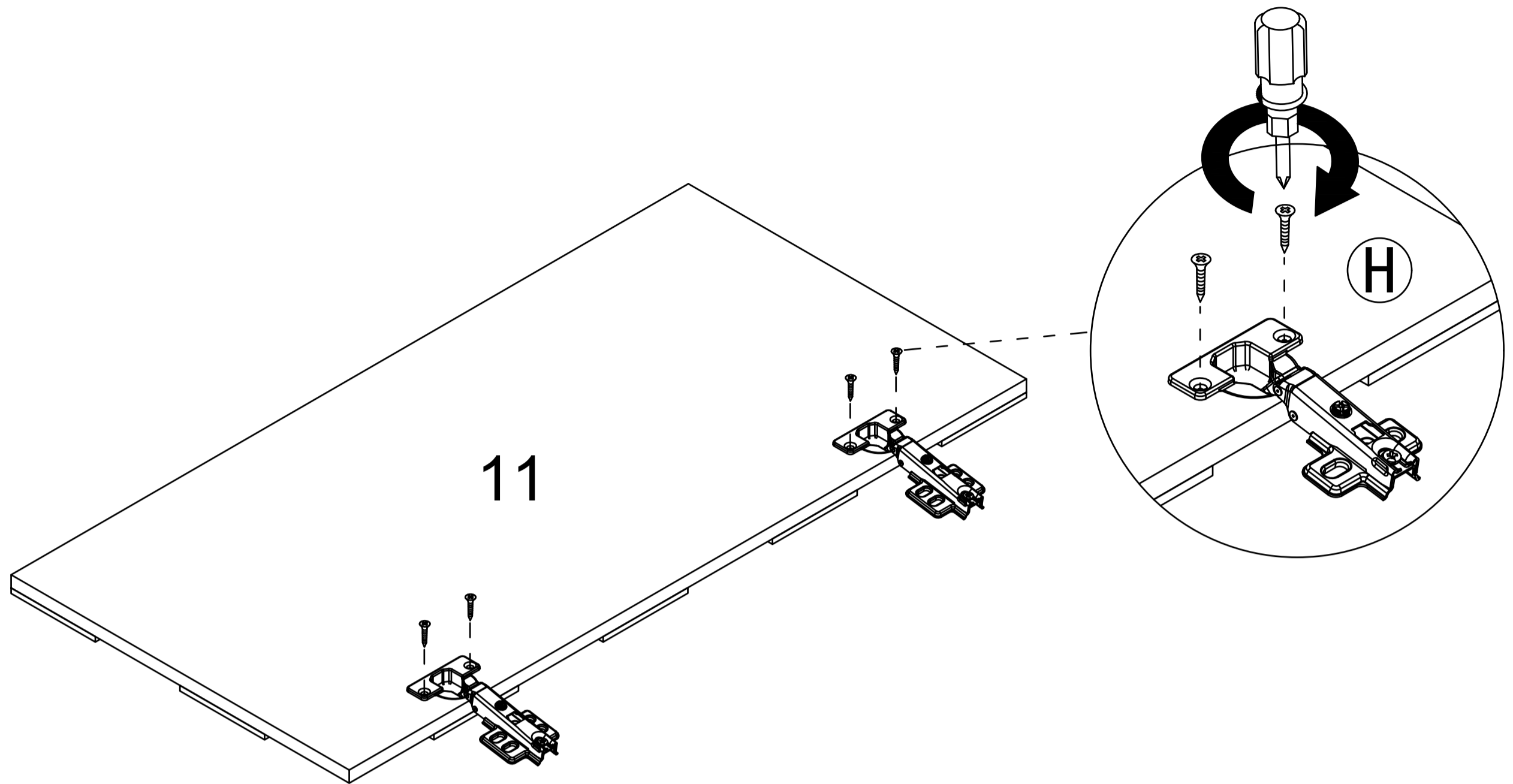
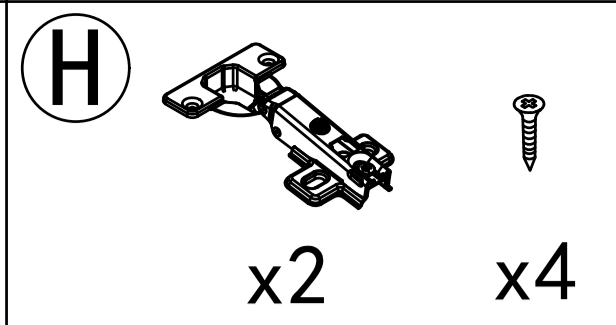
x4



Step 25

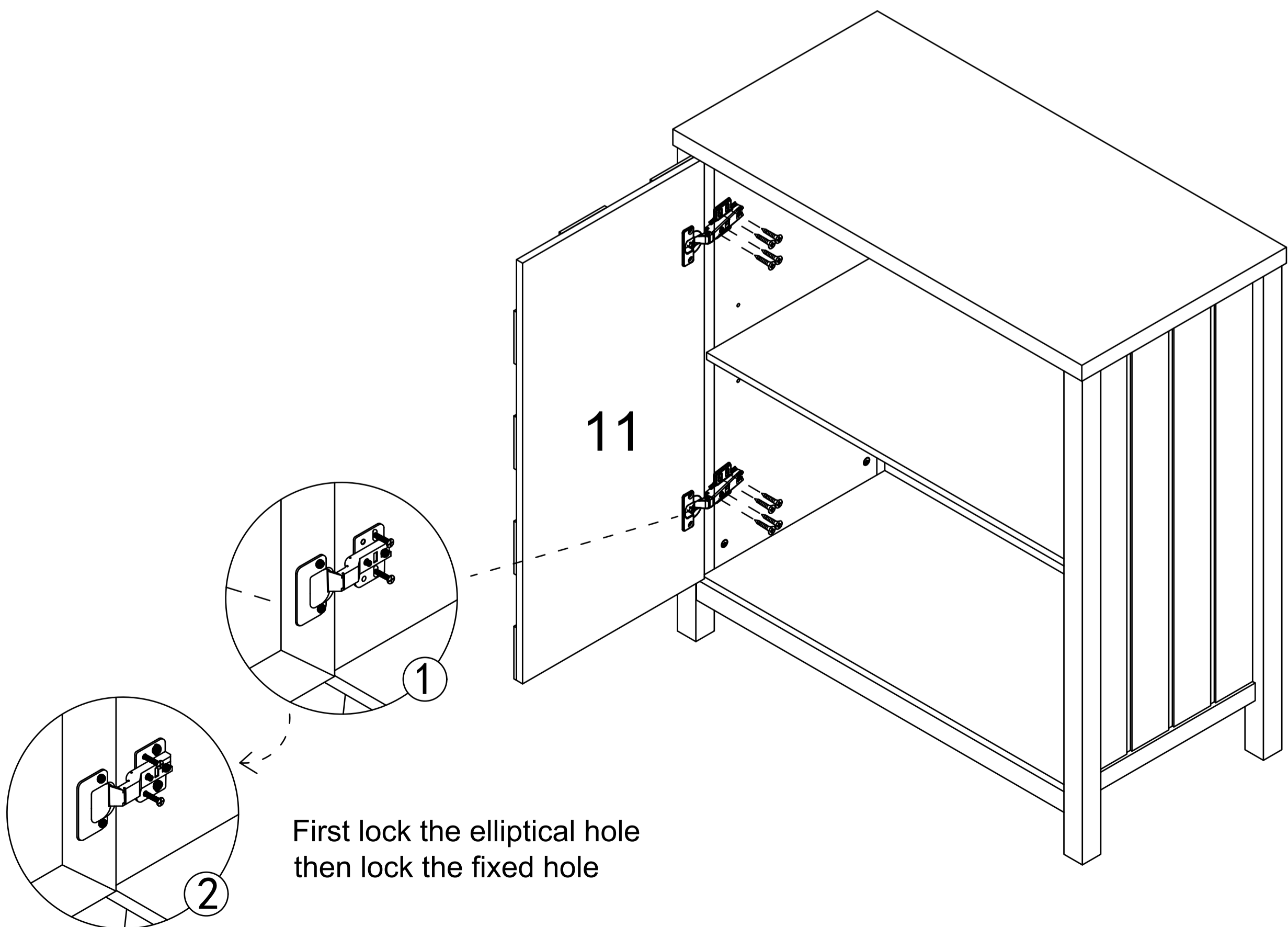
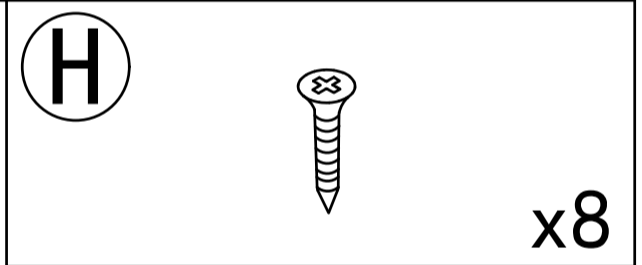


Step 26

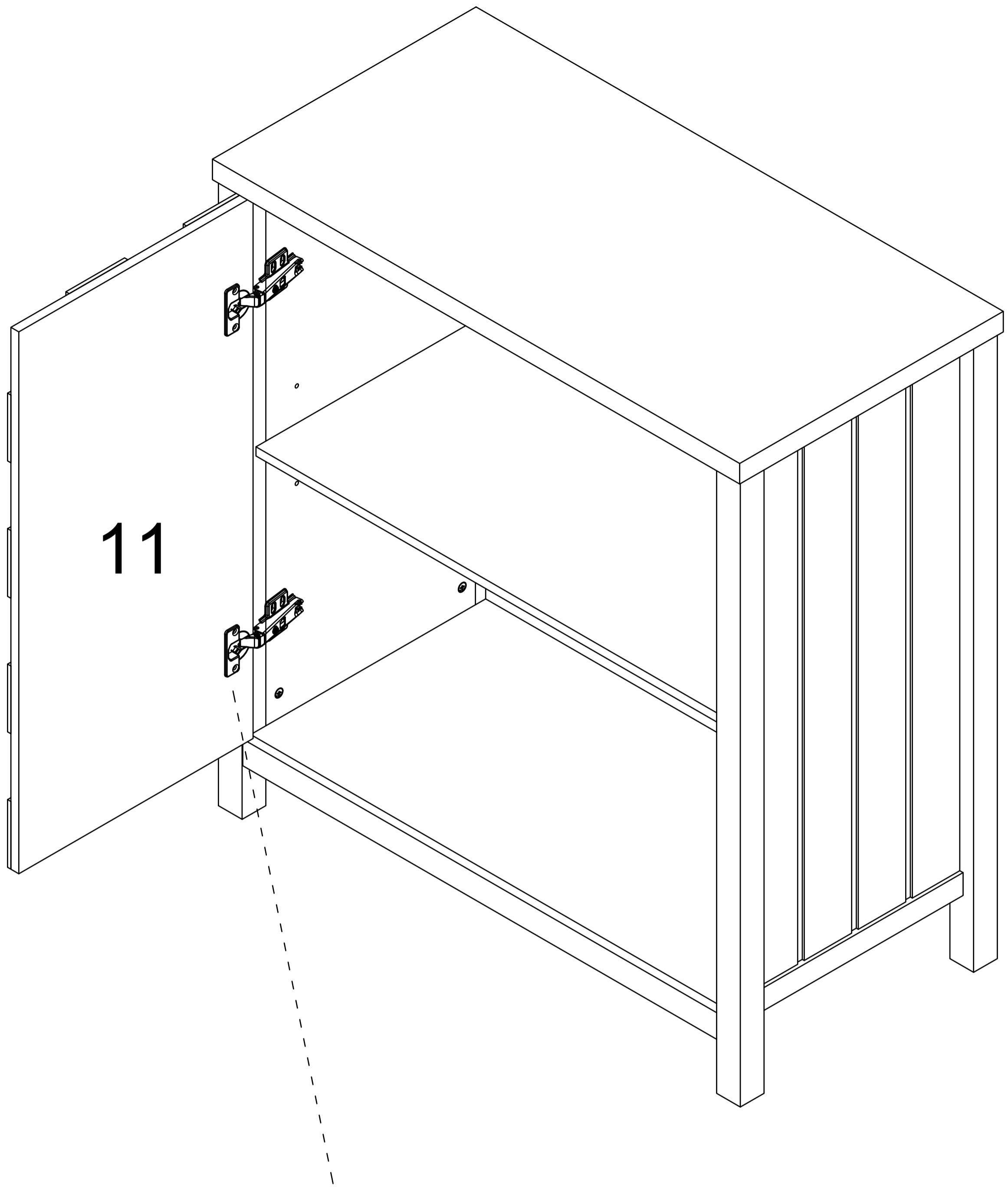


This step is repeated twice

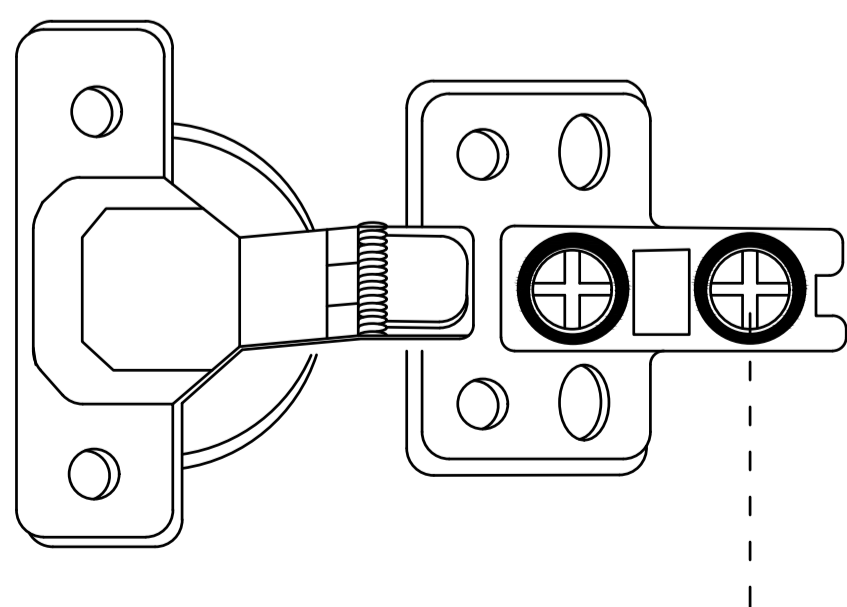
Step 27



Step 28



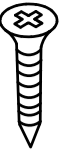
Turning this screw can effectively adjust the size of the door gap.



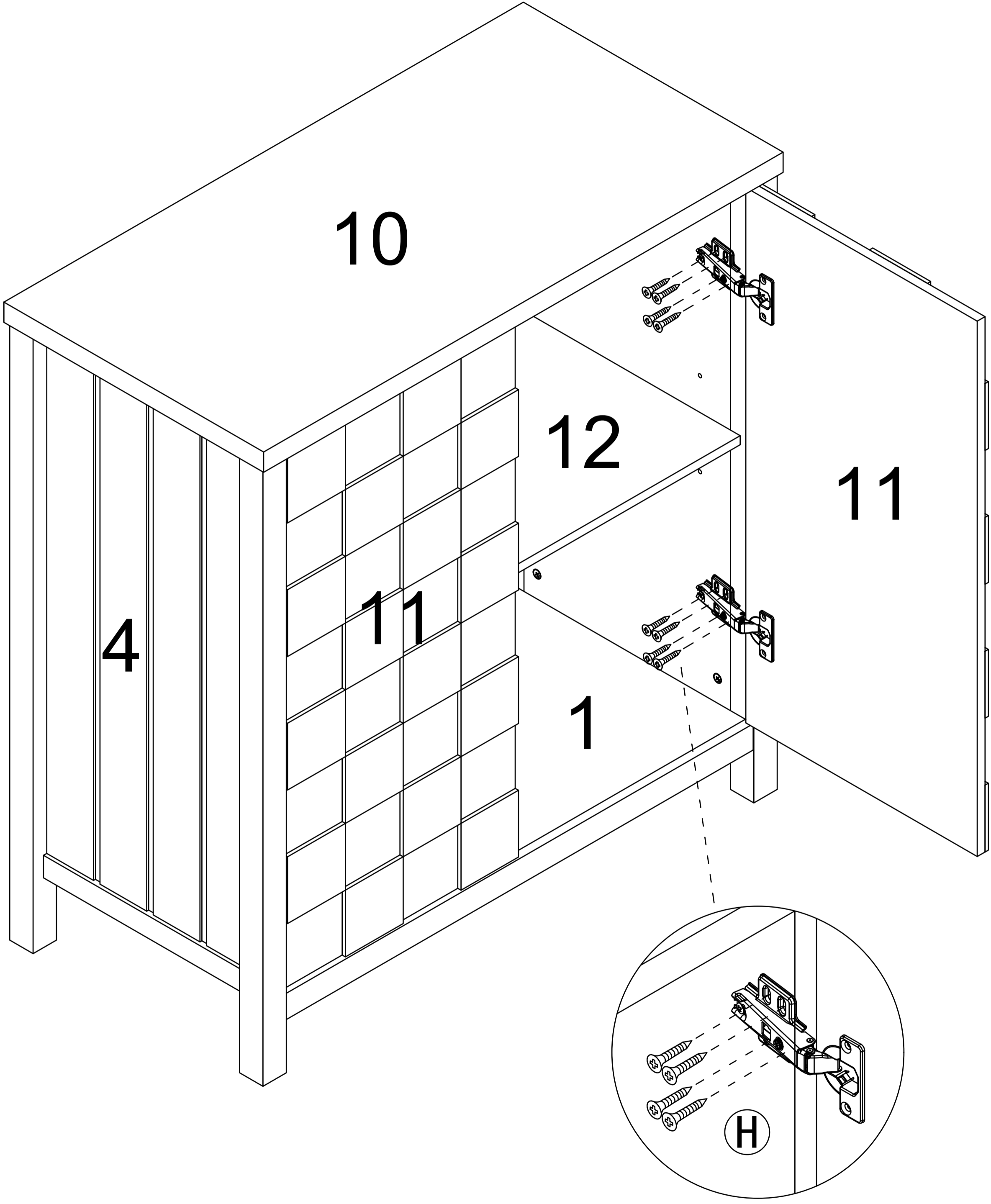
Turn this screw to adjust the door panel to be flat with the side panel.

Step 29

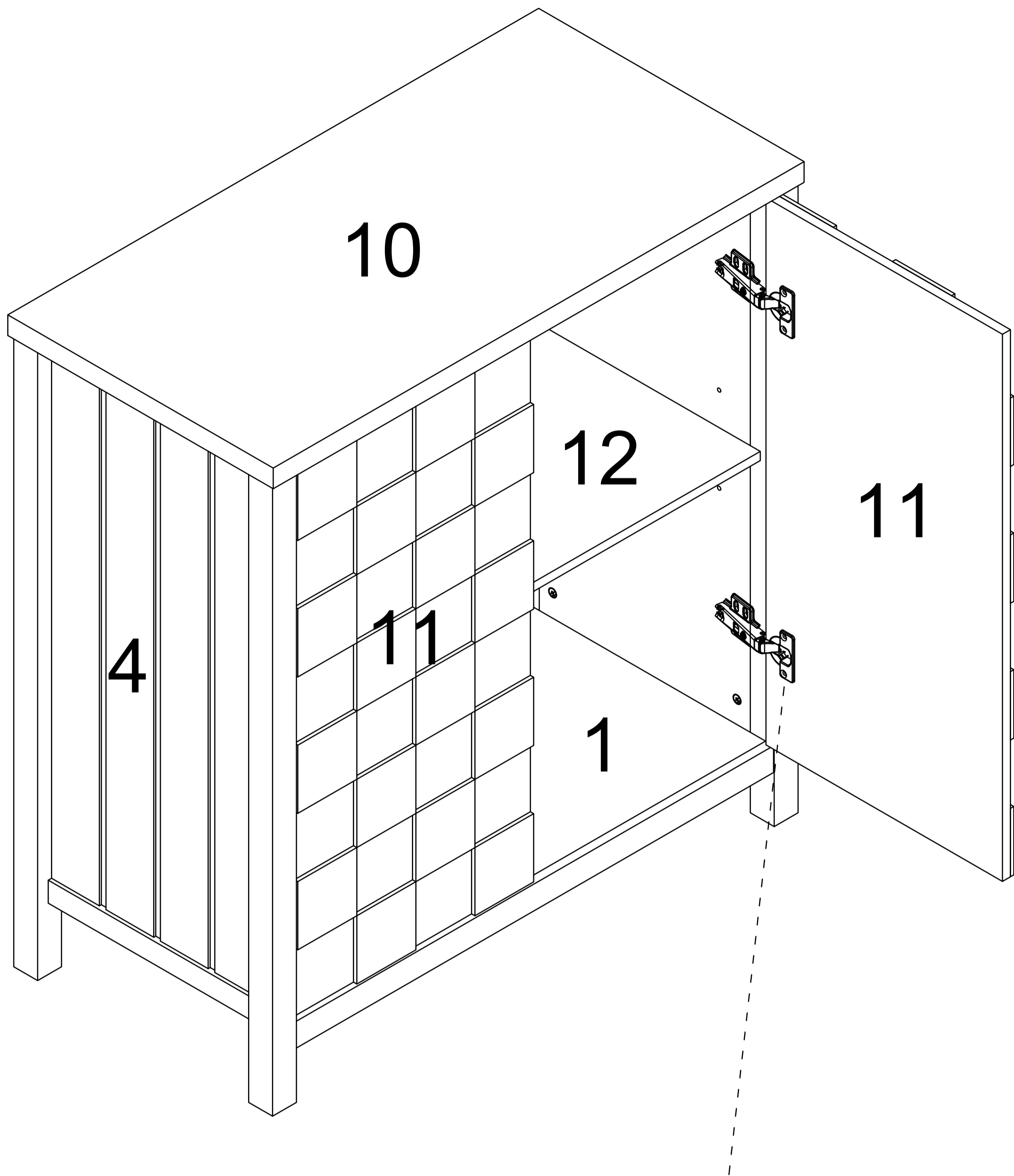
H



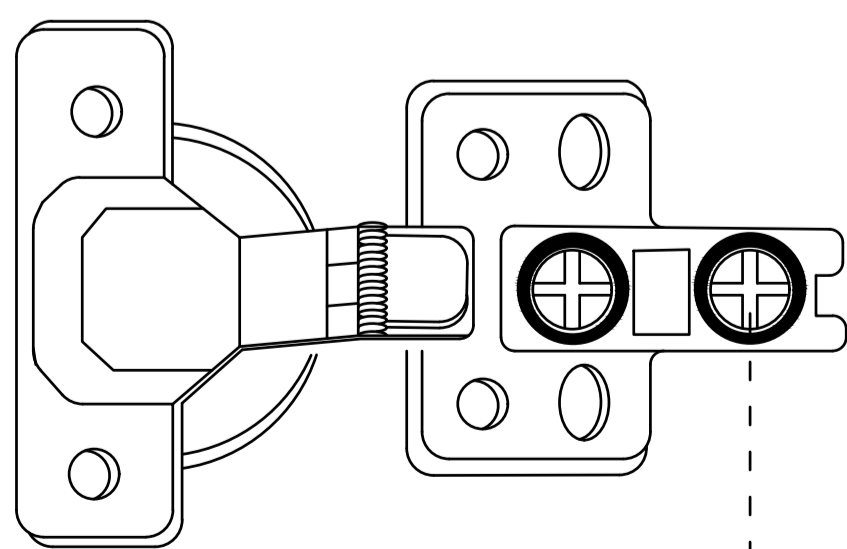
x8



Step 30



Turning this screw can effectively adjust the size of the door gap.



Turn this screw to adjust the door panel to be flat with the side panel.

Step 31

D

