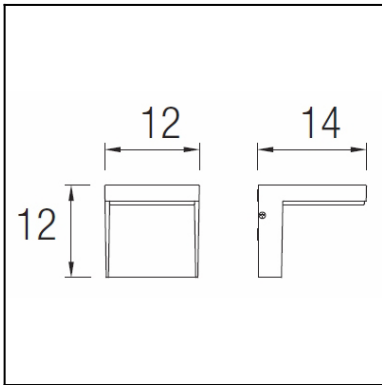
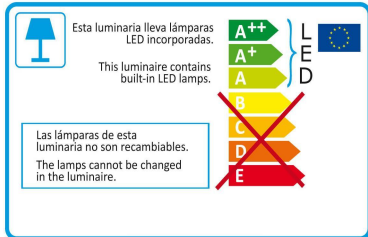




The photograph may not match the reference exactly. Please read the product description to identify the finish.



Download photometric file .ldt /.ies



Click on image to download energy label

## TECHNICAL CHARACTERISTICS

Type:	Wall fixture
IP Protection degrees:	IP44
Light source 1:	25 x LED 2.5W Warm White - 3000K 250 lm <sup>(N)</sup>
Voltage / Frequency:	110-240V/50-60Hz
Units per box:	8
Net Weight (Kg):	0.785

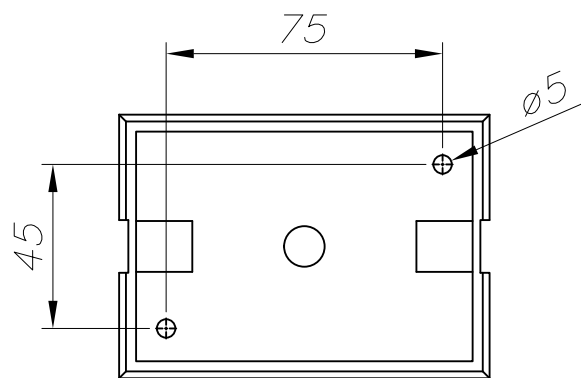
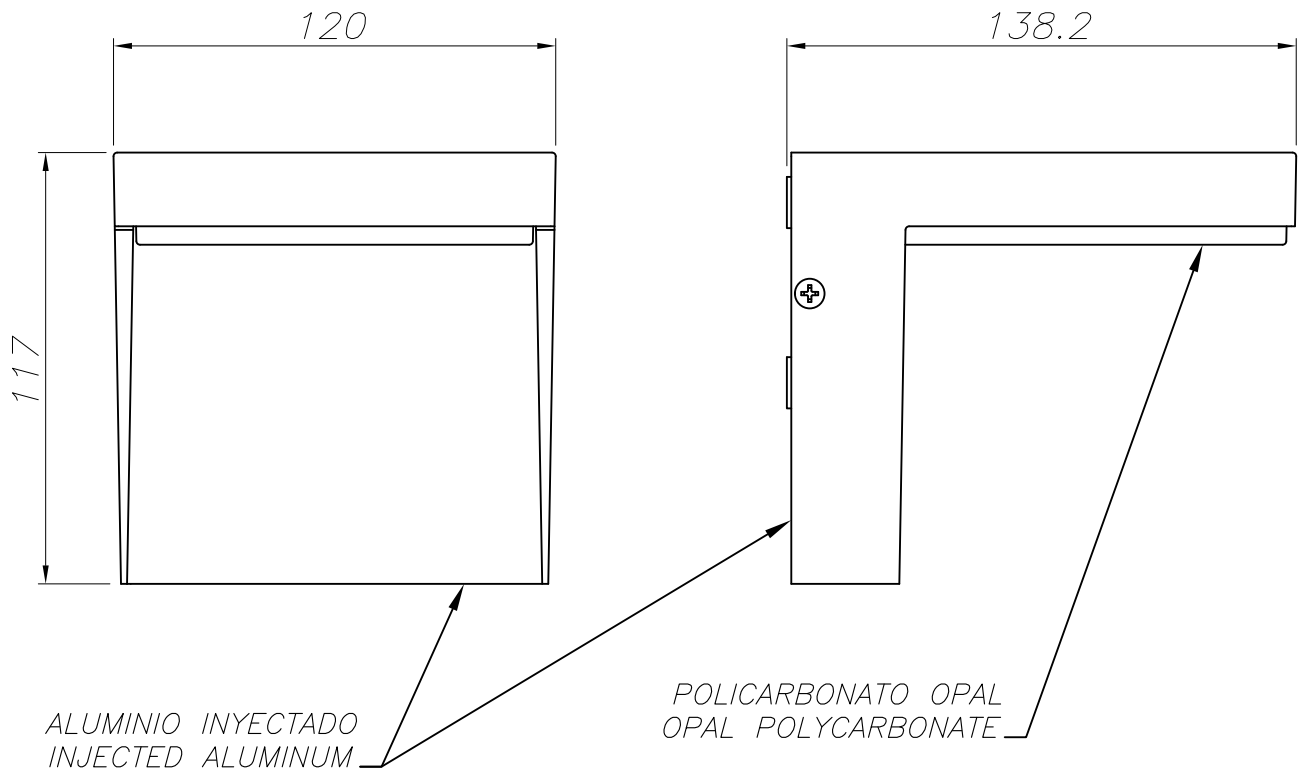


## MATERIALS / FINISHES

<b>Structure material:</b>	Injected aluminium	<b>Diffuser material:</b>	Polycarbonate
<b>Structure finish:</b>	White	<b>Diffuser finish:</b>	Opal

## GEAR

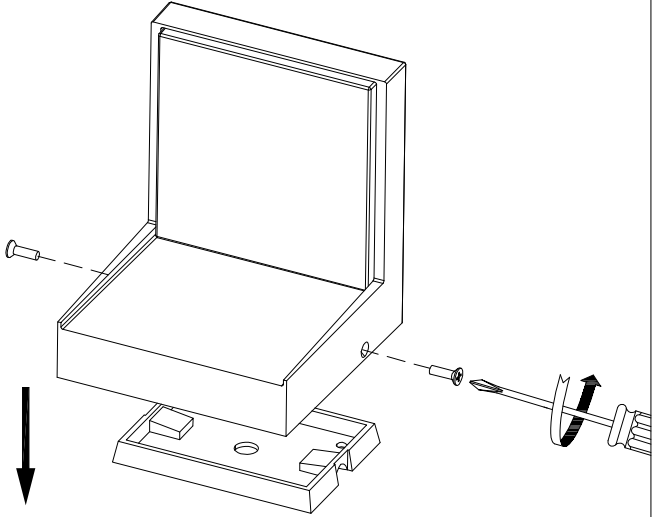
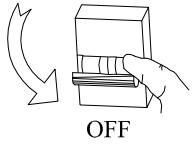
Multi-voltage electronic gear included (110-240 V / 50-60 Hz)



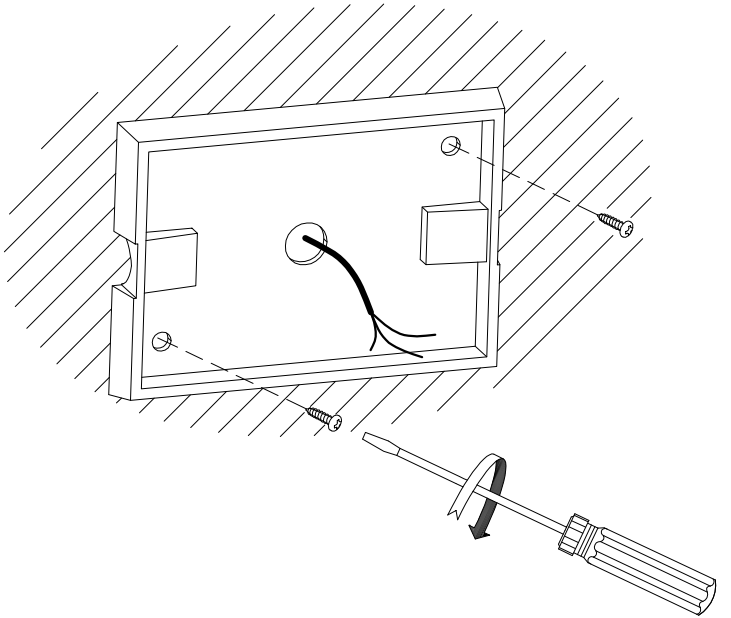
PLANTILLA DE INSTALACIÓN  
INSTALLATION TEMPLATE

# OUTDOOR

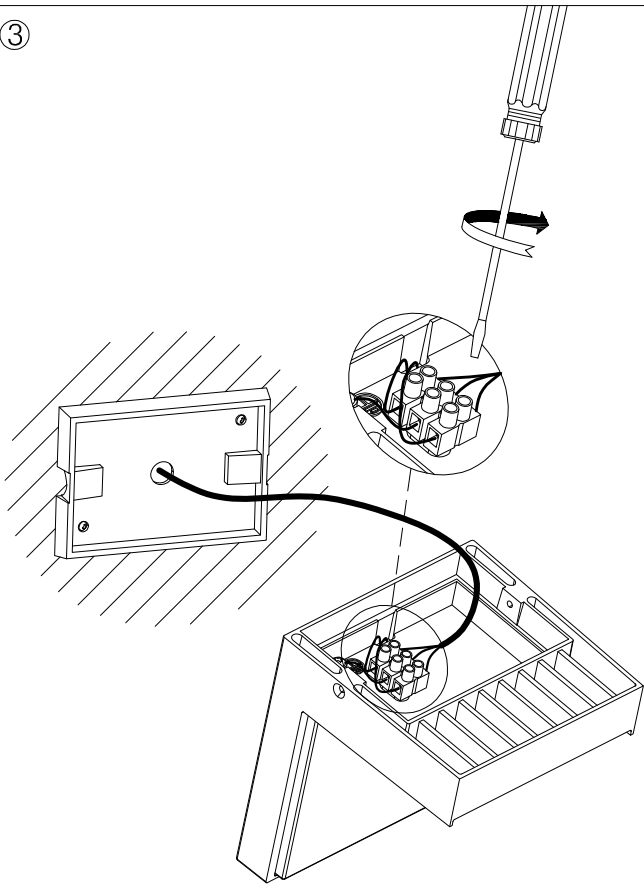
①



②



③



④

