

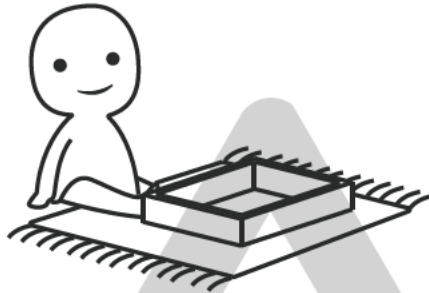
INSTALLATION

Product Manual



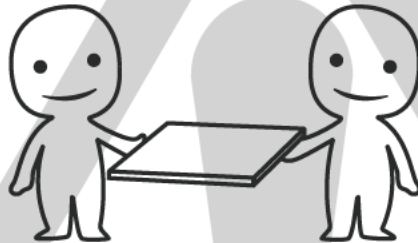
IMPORTANT INFORMATION!

please read the entire manual before starting to assemble and/or using this product. follow the manual thoroughly and keep it for further reference.



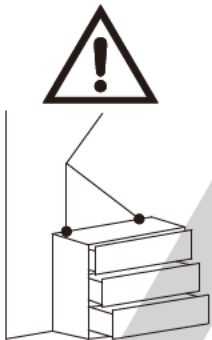
AVOID SCRATCHES!

In order to avoid scratching this furniture should be assembled on a soft layer—could be a rug.



IMPROVE EFFICIENCY !

Try to find a partner to install with you, which can speed up the installation efficiency and shorten the time.



ANTI-TOPPLE WARNING !

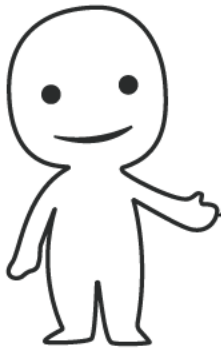
Overturnd furniture can cause serious or fatal crush injuries. To prevent tipping over, be sure to use the wall attachment, if not included with this product. Please purchase the wall attachment that fit your wall. If unsure, seek professional advice. Please read and follow each step of the instructions carefully.

IMPORTANT !

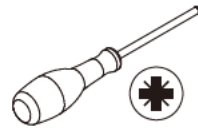
It is important that any product which is assembled using any kind of screw is re-tightened 2 weeks after assembly, and once every 3 months - in order to assure stability through-out the lifespan of the product.

For regular maintenance and cleaning of the product, for the frame, please use a rag dipped in neutral detergent to fully wipe it, and then dry it with a clean rag. For glass materials, wipe with a rag dampened with water glass cleaner, and then dry with a dry rag.

Do not use an electric screwdriver, and do not use too much force when installing, because the board is easy to break.



Please prepare the following tools



When installing, please carefully confirm whether each screw corresponds to the manual, accessories with similar shapes can be distinguished by size

A x 2



Ø8 x 50 mm

B x 12+1



Ø4 x 30 mm

C x 12+1



Ø3.5 x 14 mm

D x 58+5



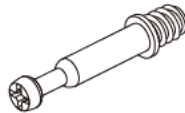
Ø8 x 30 mm

E x 10



Ø4 x 40 mm

F x 56+5



Ø6 x 35 mm

G x 44+4



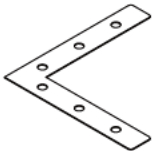
Ø15 x 9.5 mm

H x 6



Ø4 x 50 mm

J x 2



K x 24+3

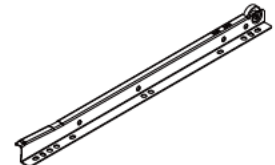


Ø3 x 12 mm

CL x 3



DL x 3



DR x 3



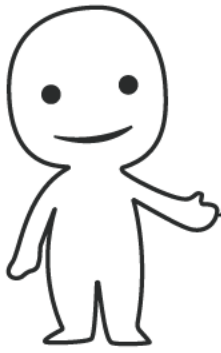
CR x 3



L x 12



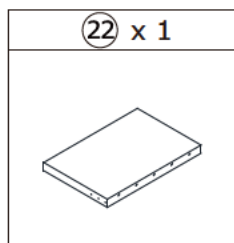
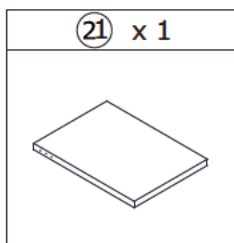
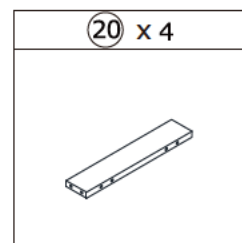
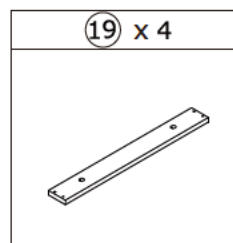
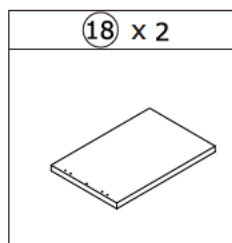
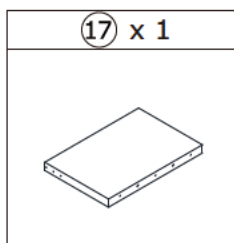
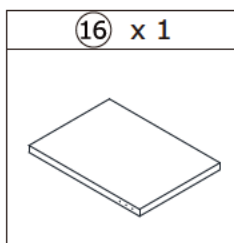
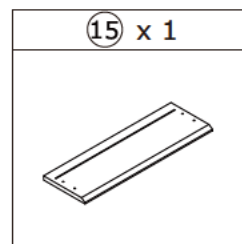
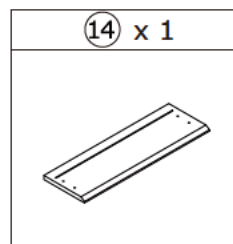
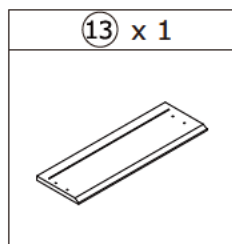
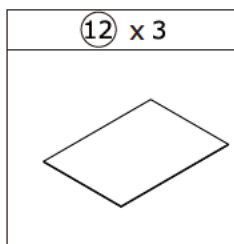
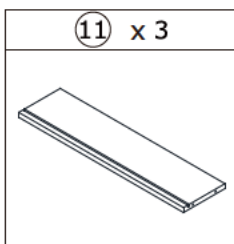
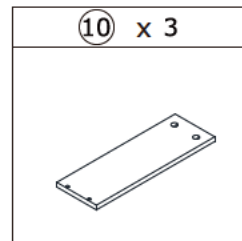
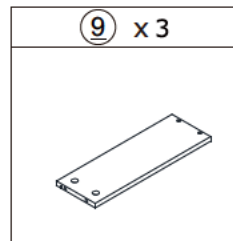
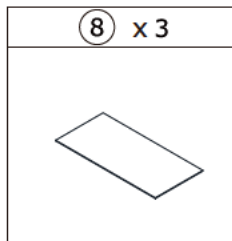
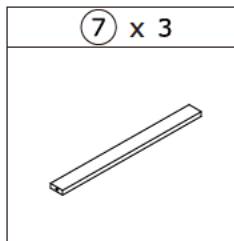
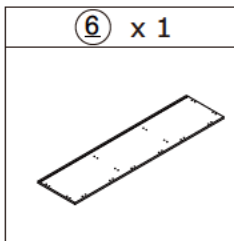
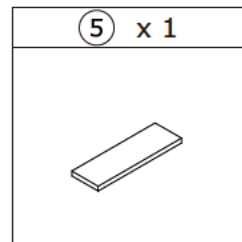
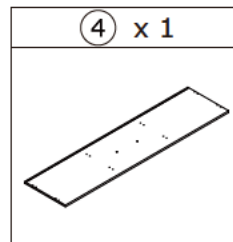
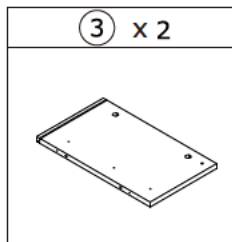
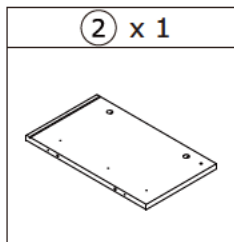
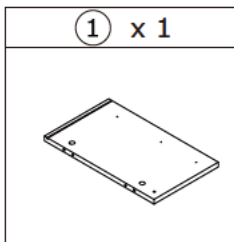
Ø15 x 9.5 mm

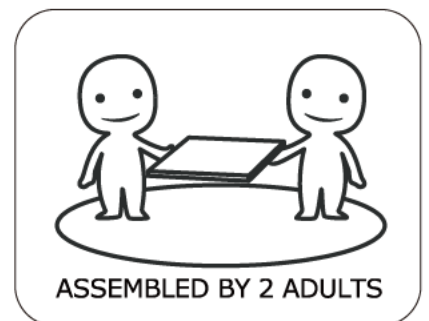
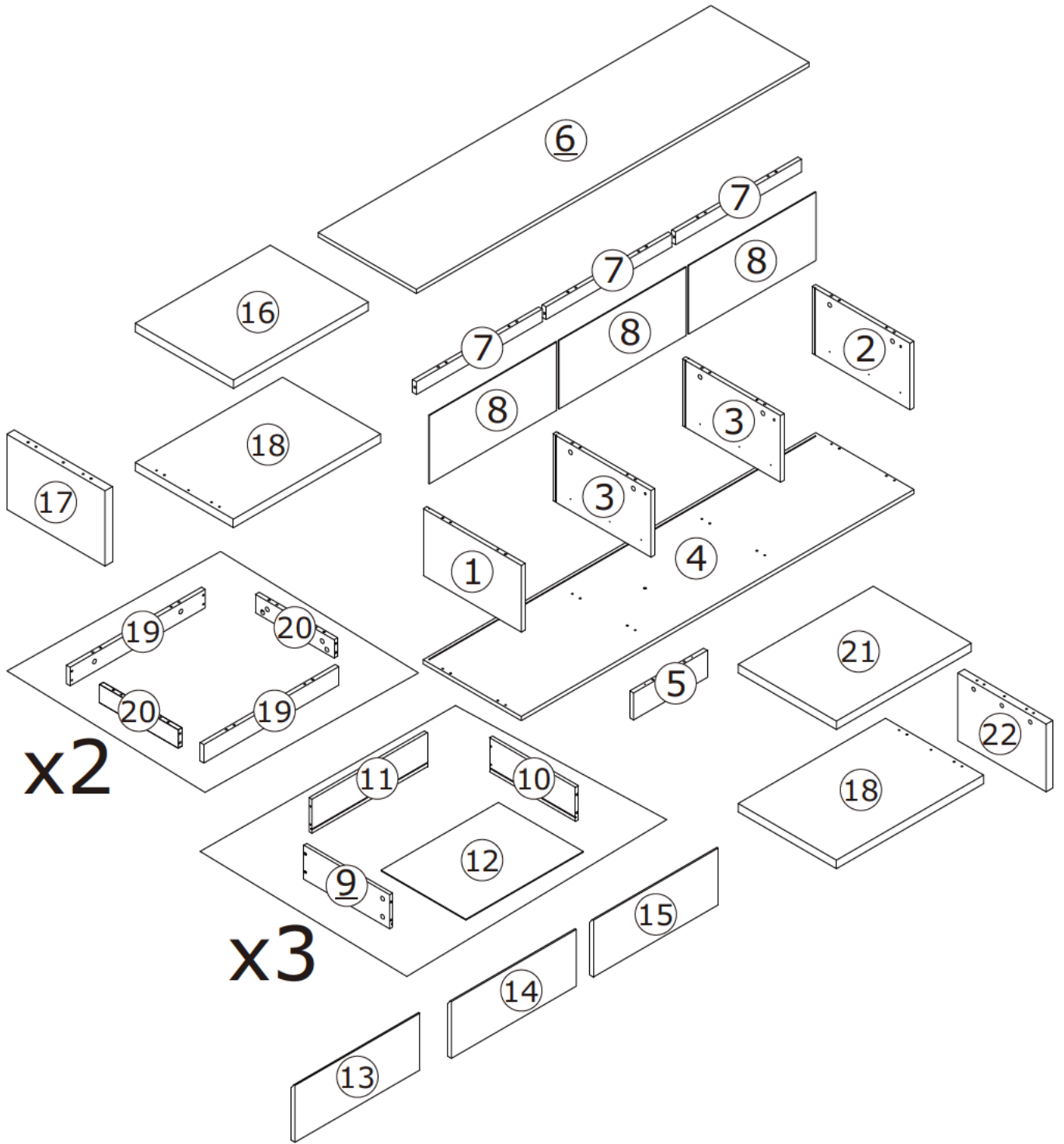


Please prepare the following tools



When installing, please carefully confirm whether each screw corresponds to the manual, accessories with similar shapes can be distinguished by size

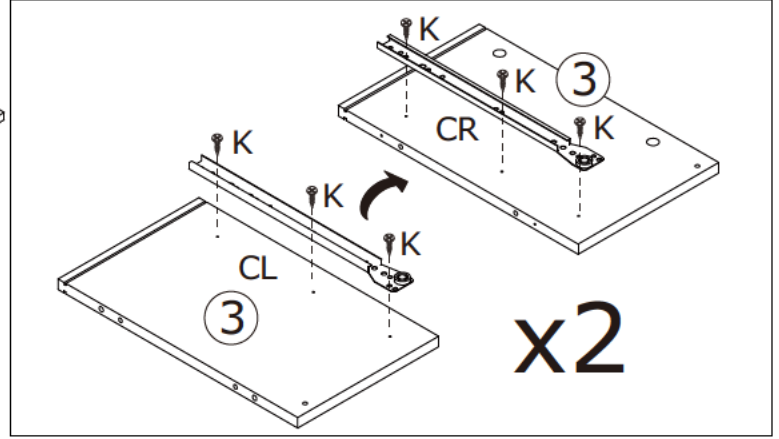
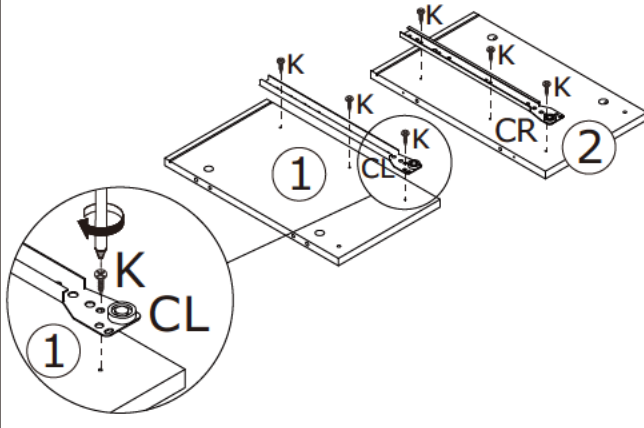
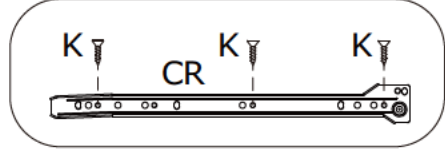
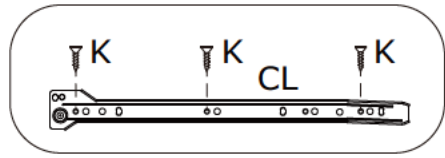




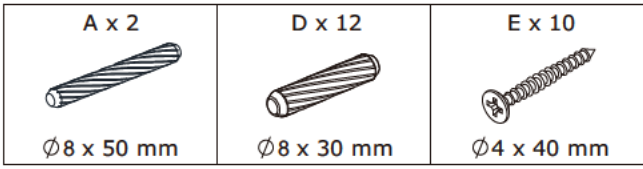
1



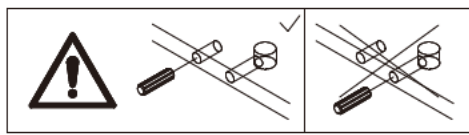
Fix slide rail(CL) and (CR) to plate 1 and 2 respectively using screw(K) as shown.
Fix slide rail(CL) to plate 3 using screw(K) as shown.
Flip the plate, fix slide rail(CR) as shown.



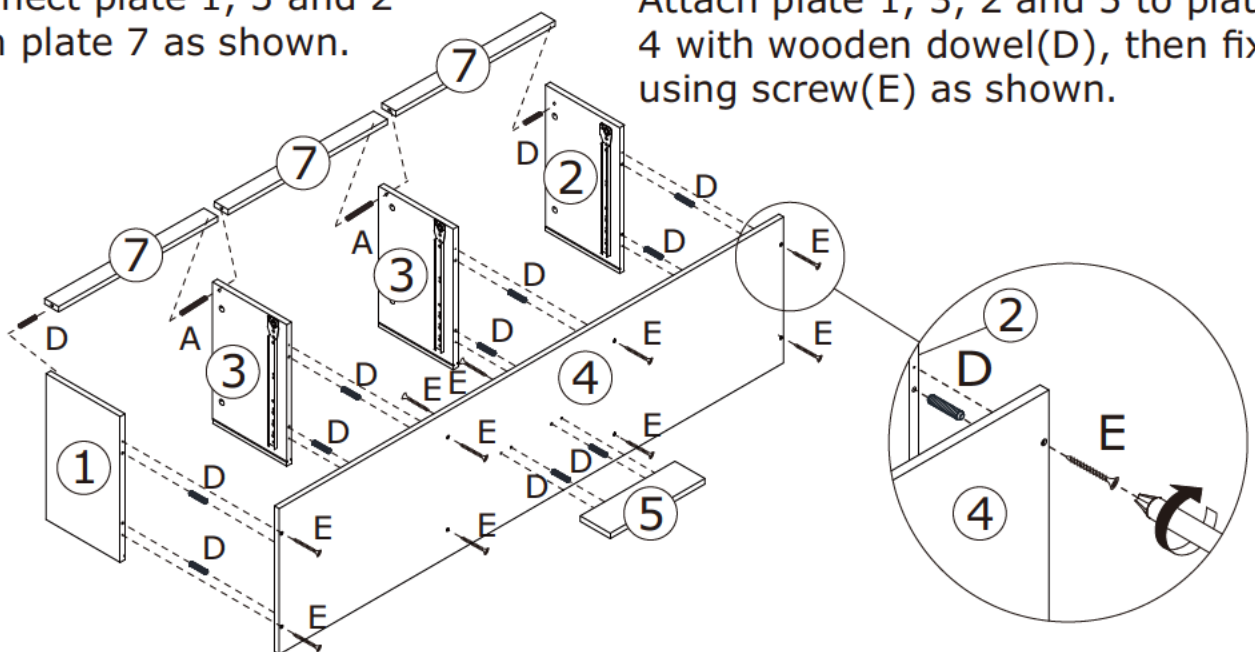
2



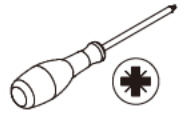
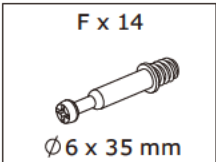
Insert SHORT wooden dowel(D) into plate 1 and 2; insert LONG wooden dowel(A) into two plate 3 at first.
Connect plate 1, 3 and 2 with plate 7 as shown.



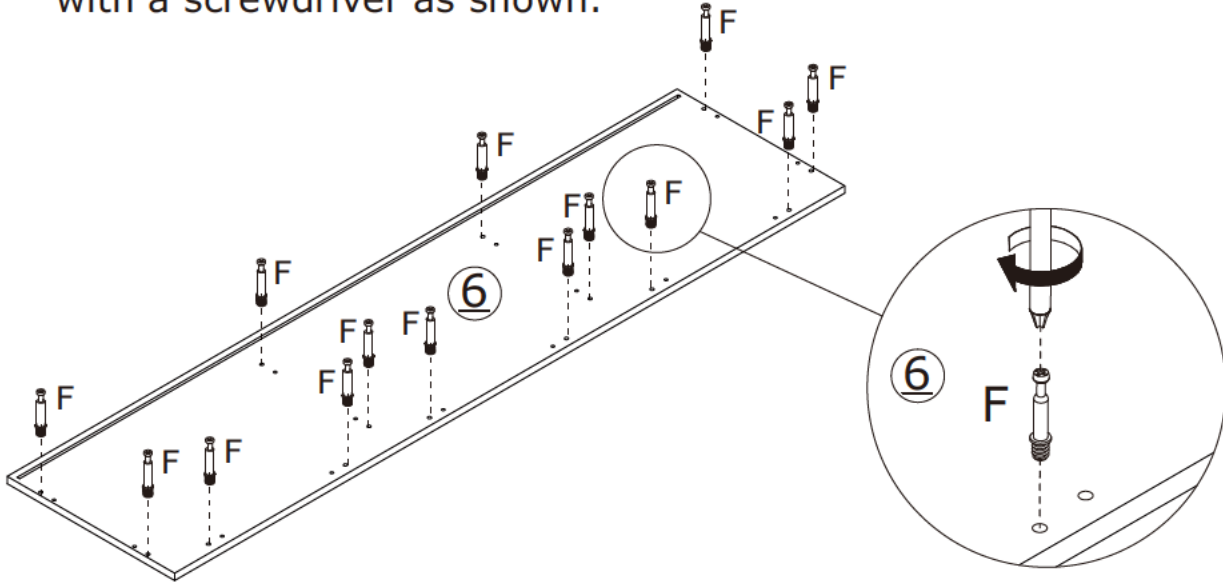
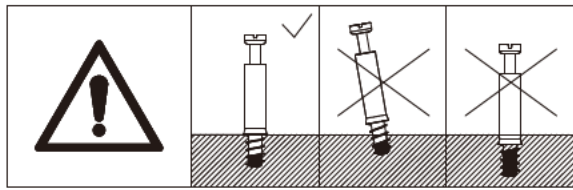
Attach plate 1, 3, 2 and 5 to plate 4 with wooden dowel(D), then fix using screw(E) as shown.



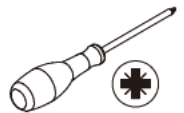
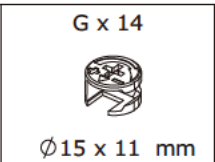
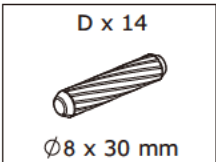
3



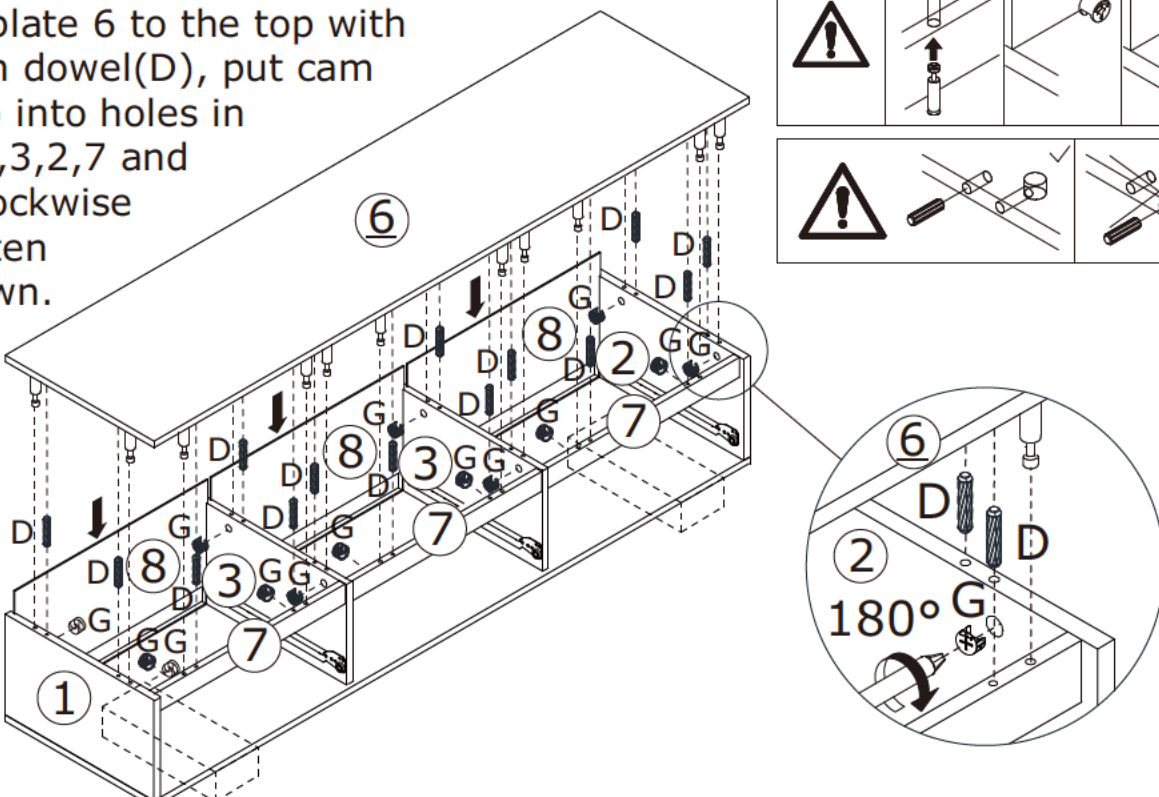
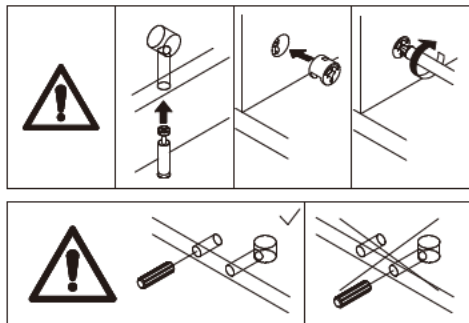
Insert quickfit screw(F) into corresponding holes in plate 6 with a screwdriver as shown.



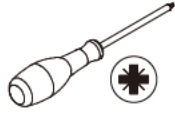
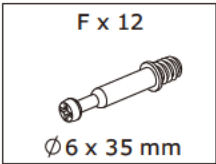
4



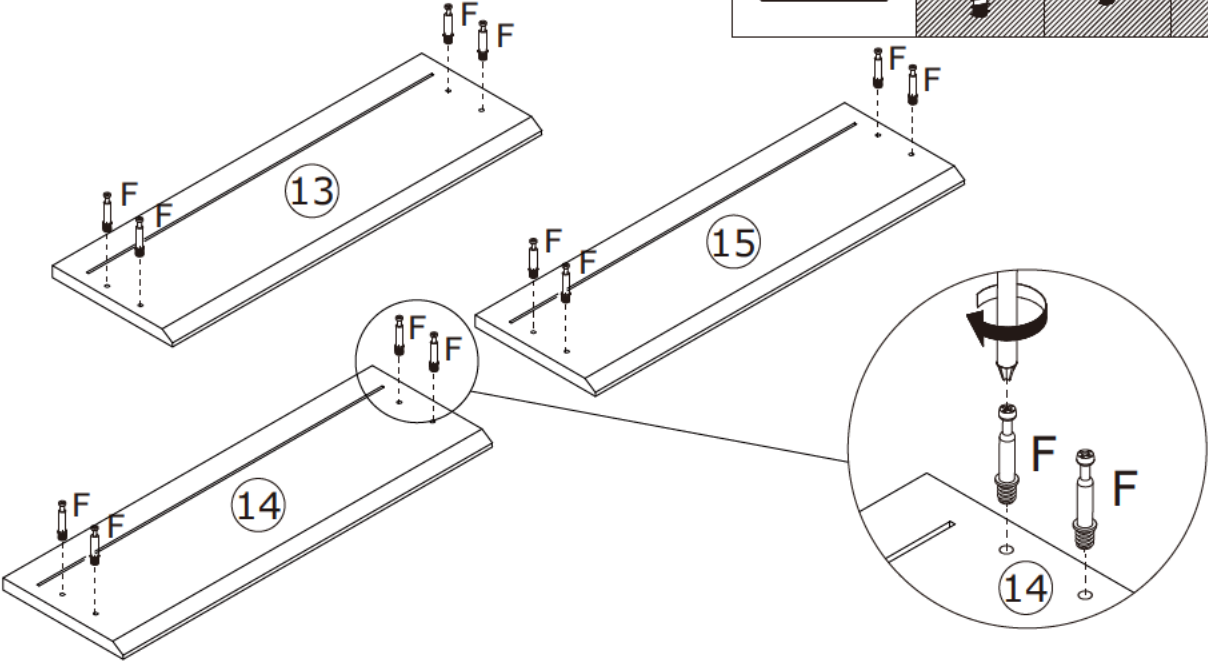
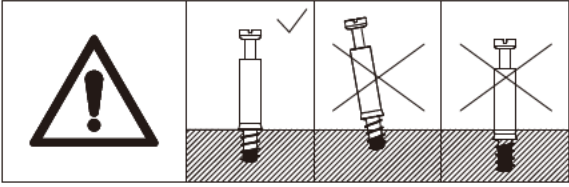
Slide back plate 8 along grooves. Cover plate 6 to the top with wooden dowel(D), put cam lock(G) into holes in plate 1,3,2,7 and turn clockwise to tighten as shown.



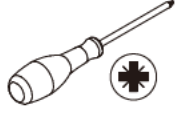
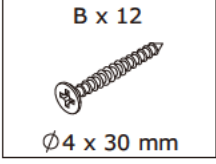
5



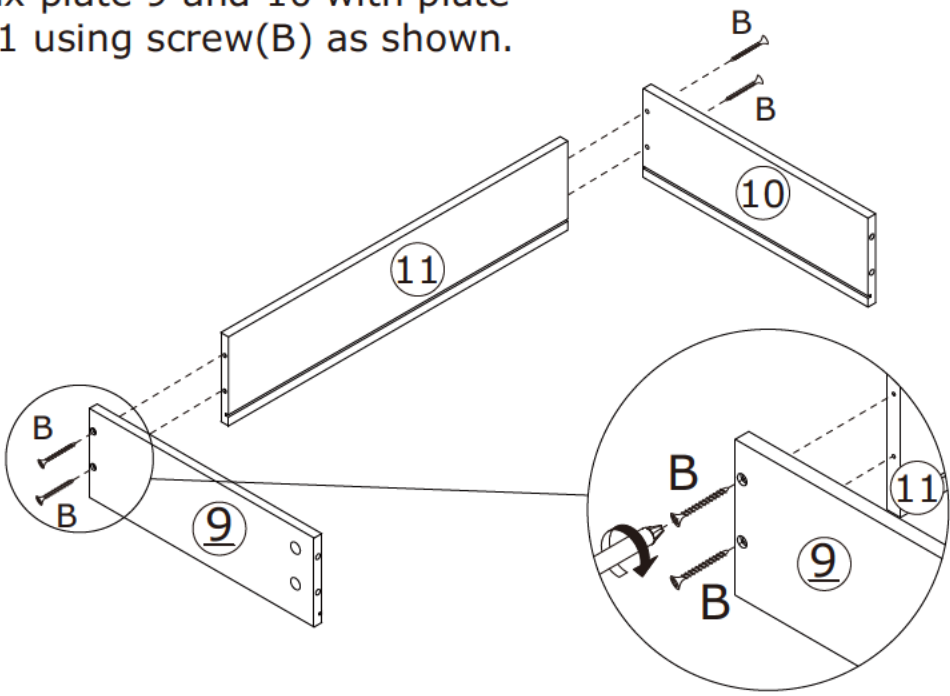
Insert quickfit screw(F) into plate 13, 14 and 15 as shown.



6




Fix plate 9 and 10 with plate 11 using screw(B) as shown.



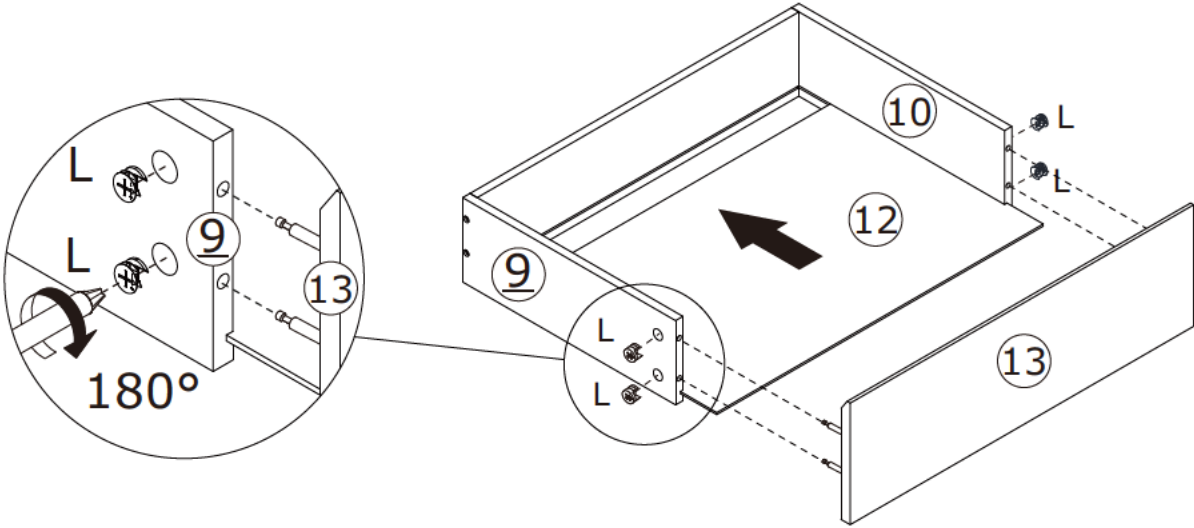
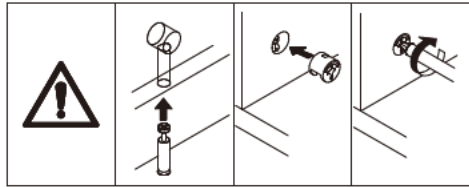
x3

7


L x 4

Ø 15 x 9.5 mm

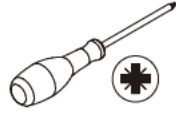


Slide plate 12 along grooves.
Attach plate 13 to plate 9 and 10, put
cam lock(L) into holes in plate 9, 10
and turn clockwise to tighten as shown.

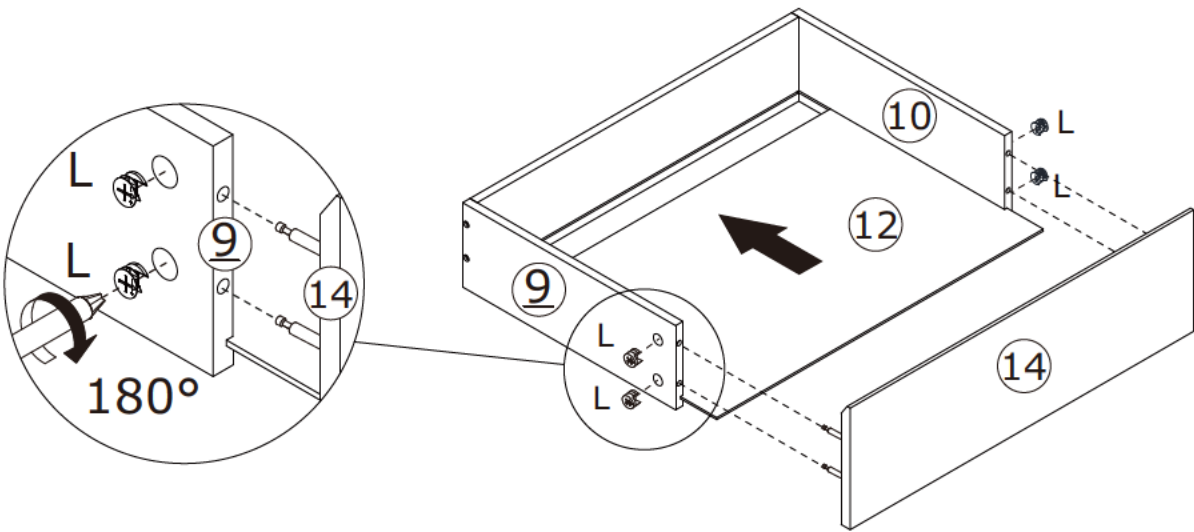
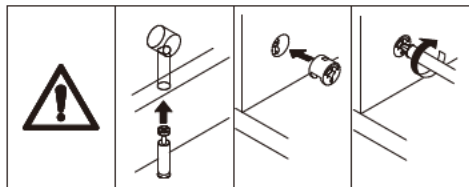


8

L x 4

Ø 15 x 9.5 mm



Slide plate 12 along grooves.
Attach plate 14 to plate 9 and 10, put
cam lock(L) into holes in plate 9, 10
and turn clockwise to tighten as shown.

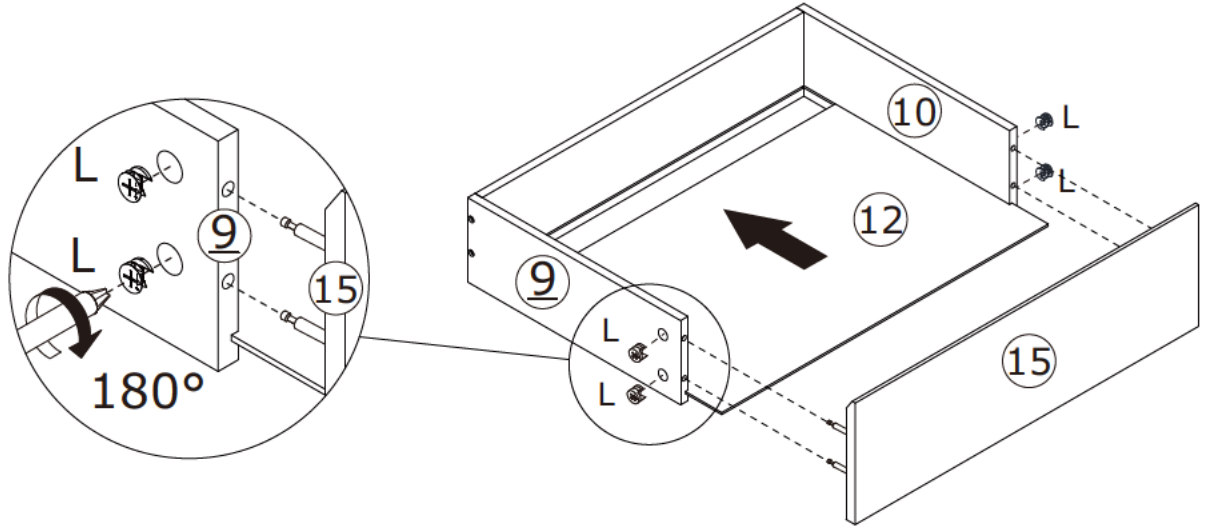
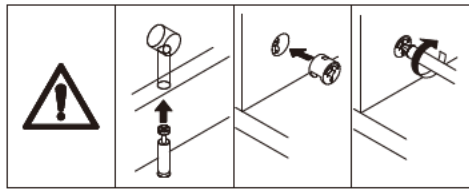


9

L x 4
Ø15 x 9.5mm



Slide plate 12 along grooves.
Attach plate 15 to plate 9 and 10, put
cam lock(L) into holes in plate 9, 10
and turn clockwise to tighten as shown.

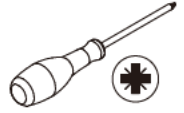


10

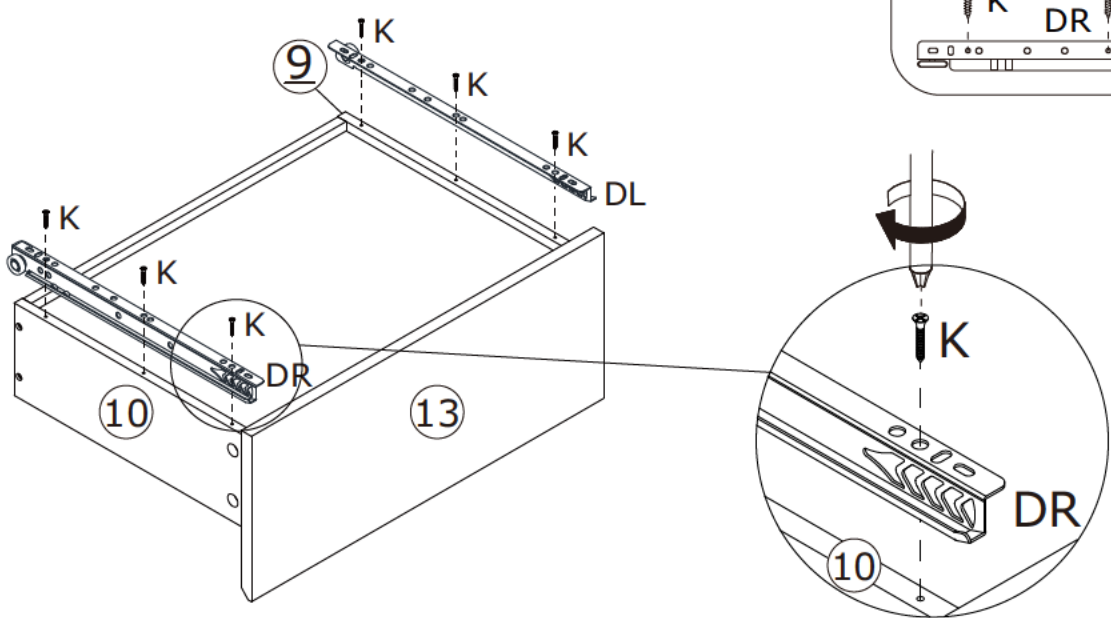
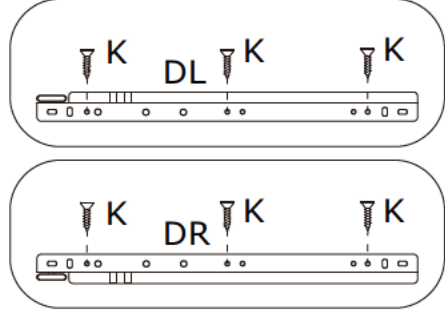
K x 6
Ø3 x 12 mm

DL x 1

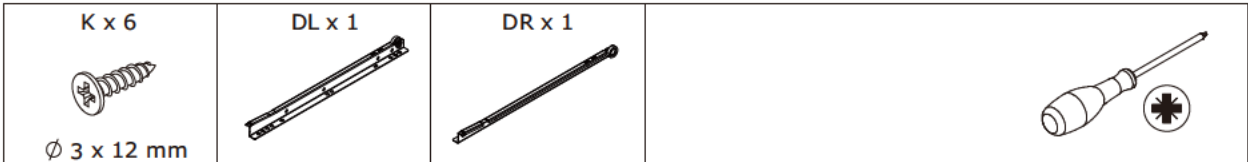
DR x 1



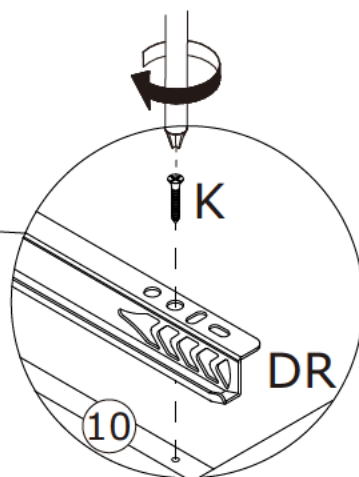
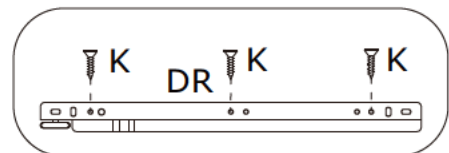
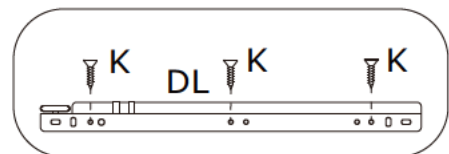
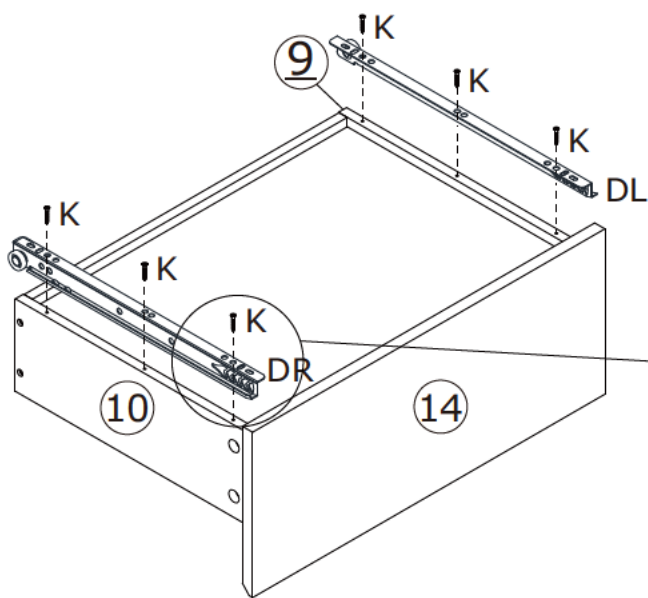
Fix runner(DL) and (DR) to plate 9 and 10
respectively using screw(K) as shown.



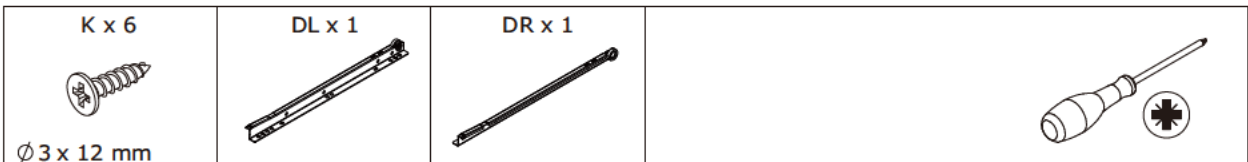
11



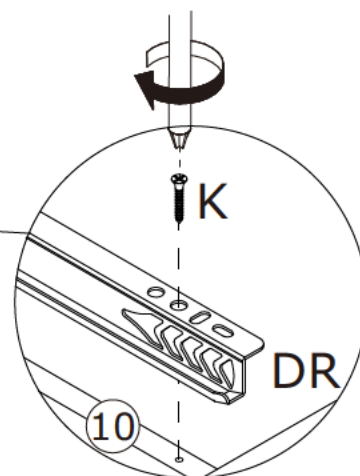
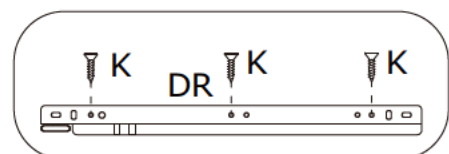
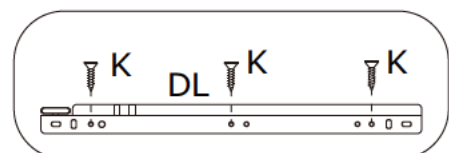
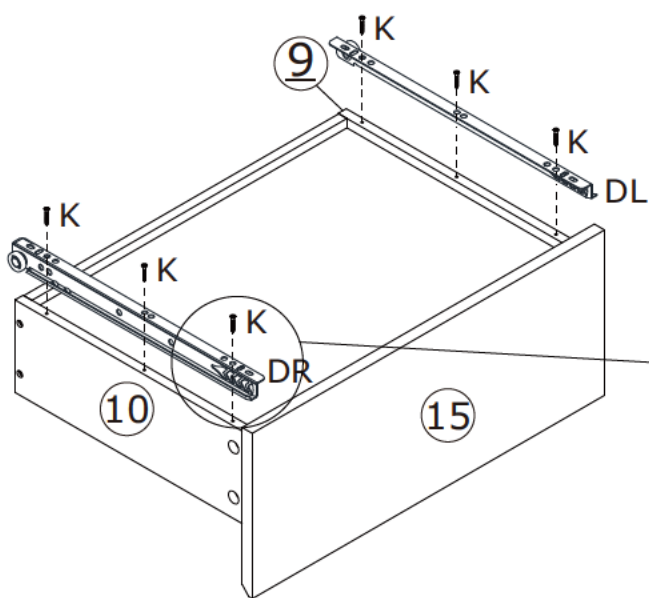
Fix runner(DL) and (DR) to plate 9 and 10 respectively using screw(K) as shown.



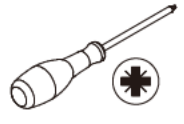
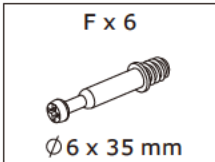
12



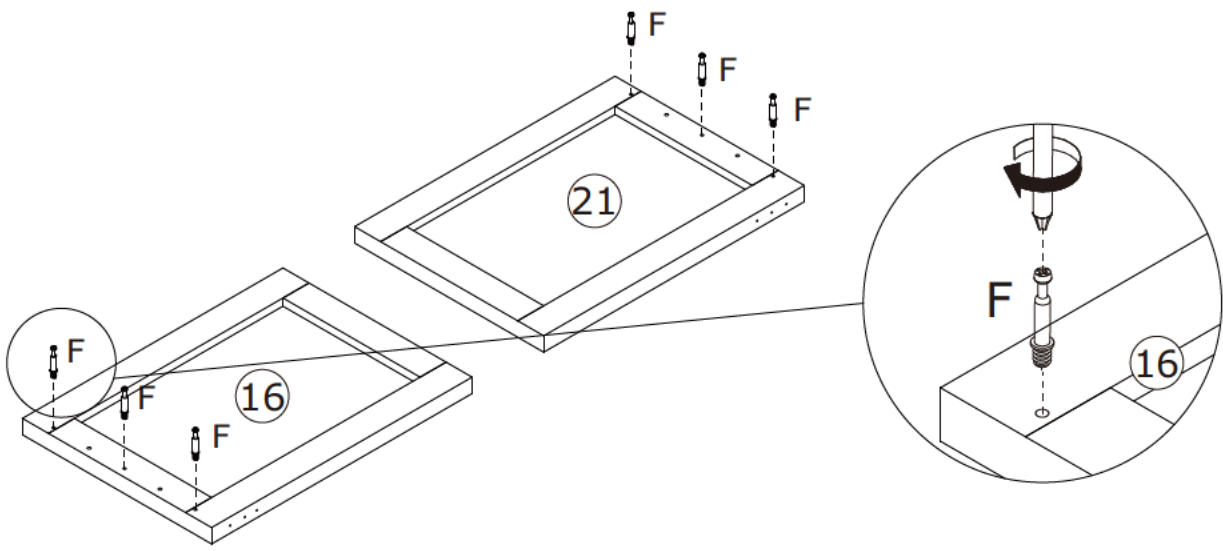
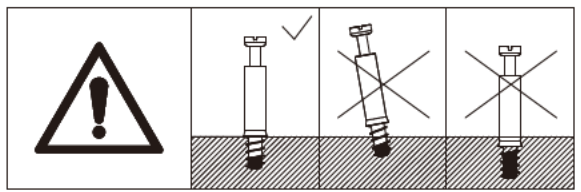
Fix runner(DL) and (DR) to plate 9 and 10 respectively using screw(K) as shown.



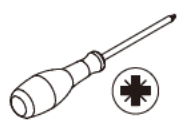
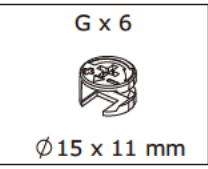
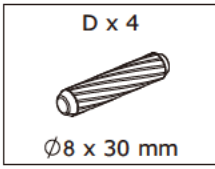
13



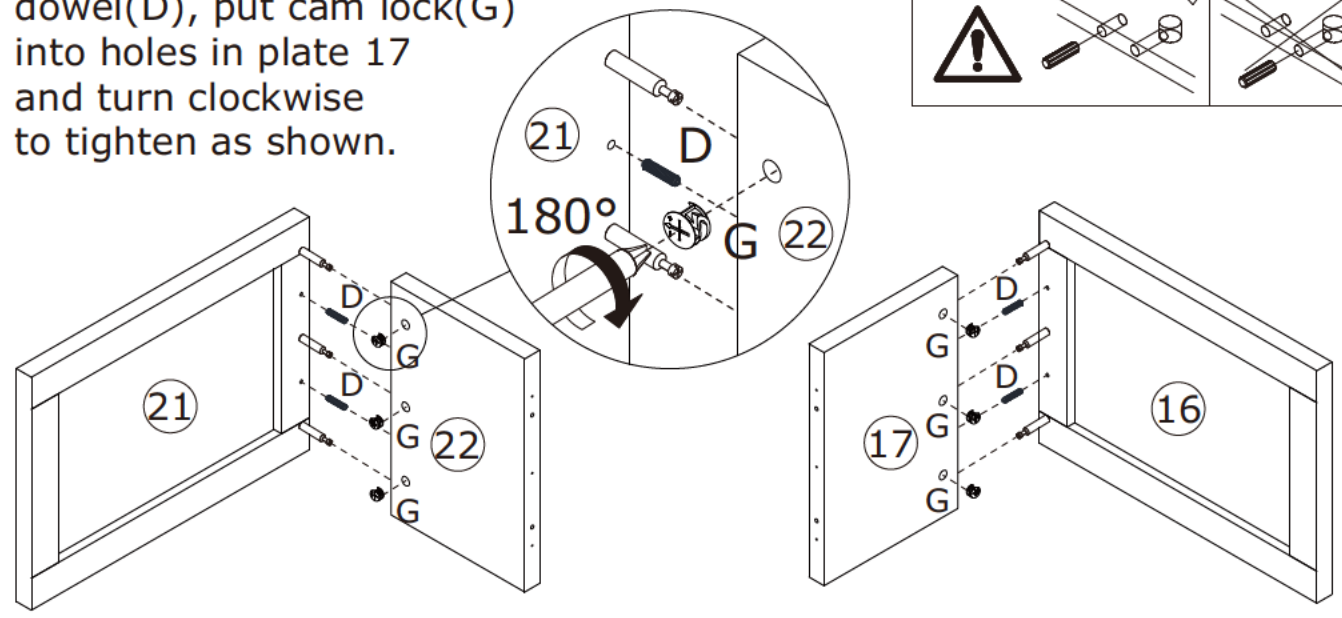
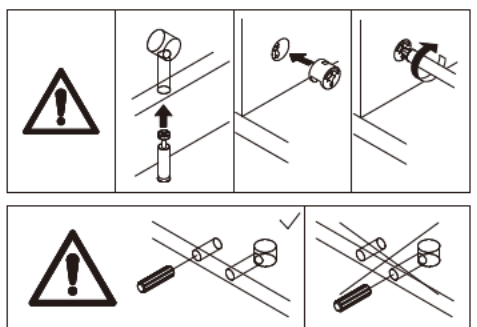
Insert quickfit screw(F) into plate 21 and 16 as shown.



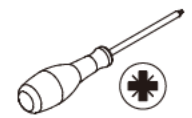
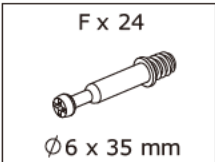
14



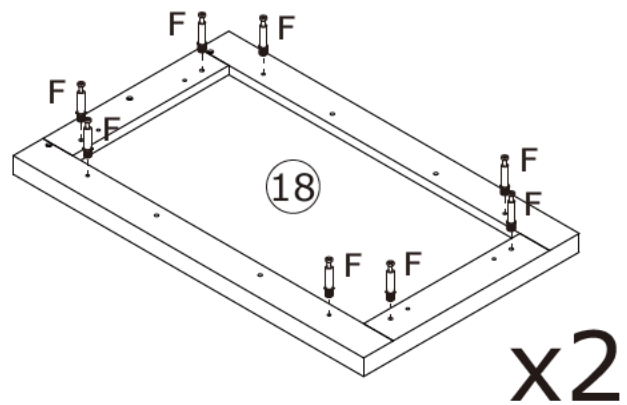
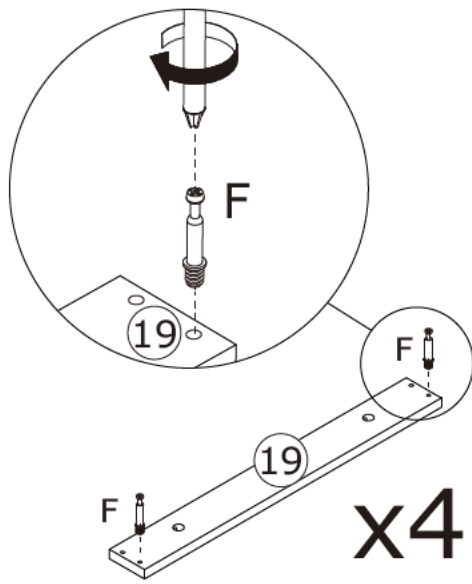
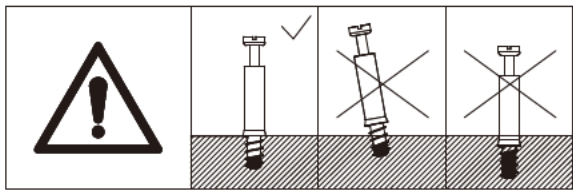
Connect plate 21 with plate 22 using wooden dowel(D), put cam lock(G) into holes in plate 22 and turn clockwise to tighten as shown. Connect plate 16 with plate 17 using wooden dowel(D), put cam lock(G) into holes in plate 17 and turn clockwise to tighten as shown.



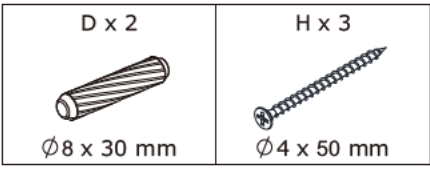
15



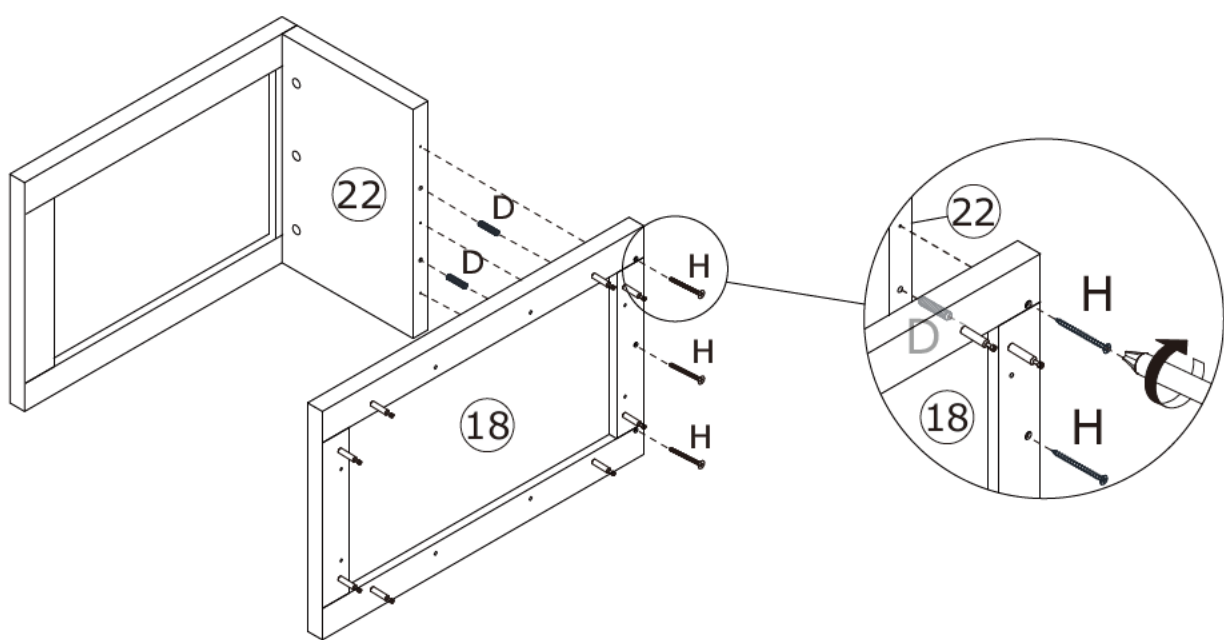
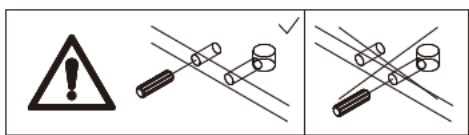
Insert quickfit screw(F) into plate 19 and 18 as shown.



16



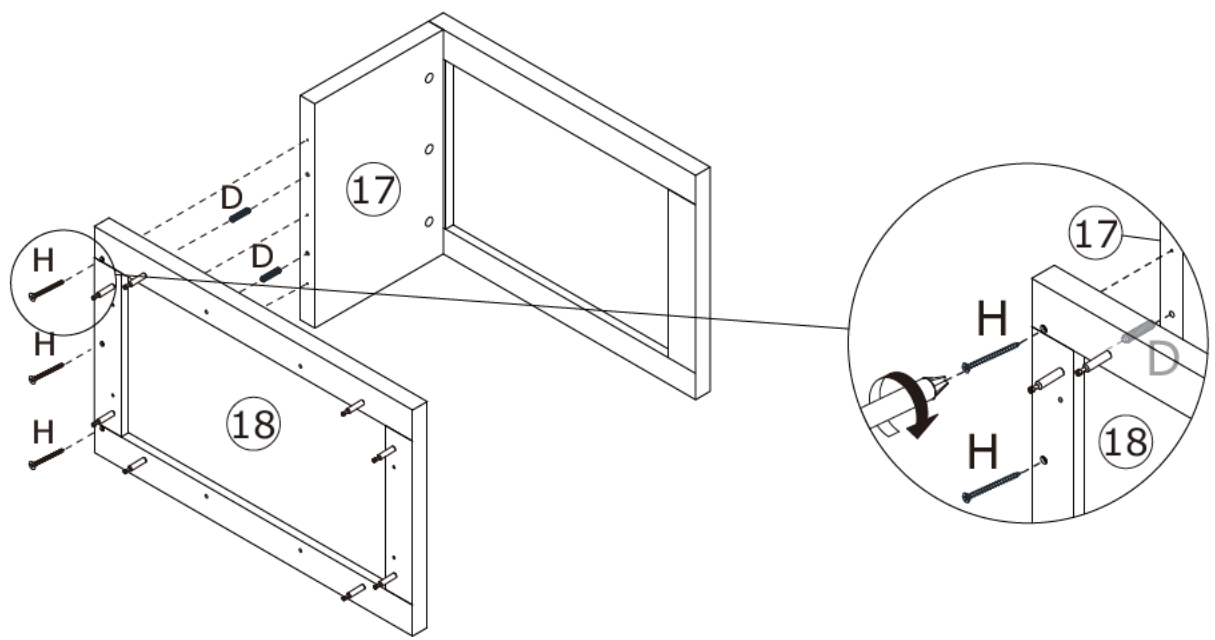
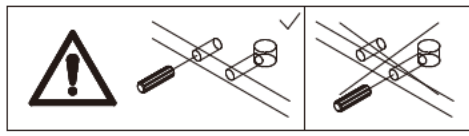
Attach plate 18 to plate 22 with wooden dowel(D), then fix using screw(H) as shown.



17

<p>D x 2</p>  <p>∅8 x 30 mm</p>	<p>H x 3</p>  <p>∅4 x 50 mm</p>	
--	--	---

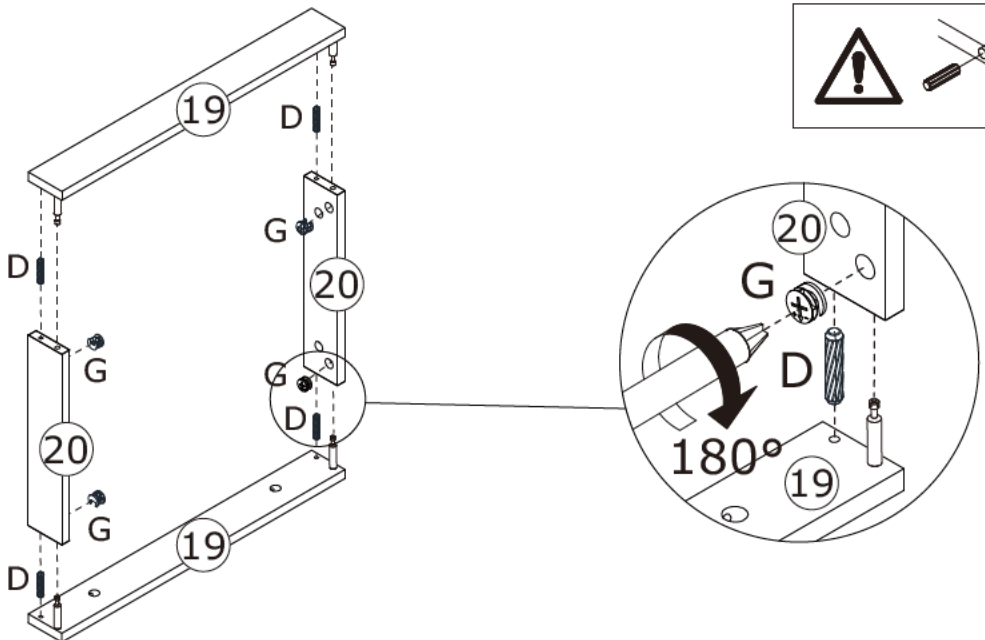
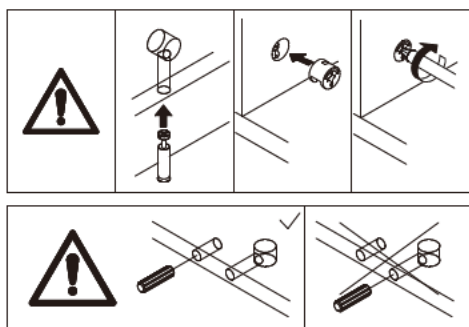
Attach plate 18 to plate 17 with wooden dowel(D), then fix using screw(H) as shown.



18

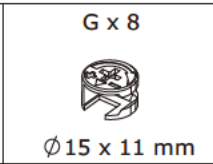
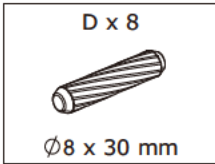
<p>D x 8</p>  <p>∅8 x 30 mm</p>	<p>G x 8</p>  <p>∅15 x 11 mm</p>	
--	---	---

Connect plate 19 with plate 20 using wooden dowel(D), put cam lock(G) into holes in plate 20 and turn clockwise to tighten as shown.

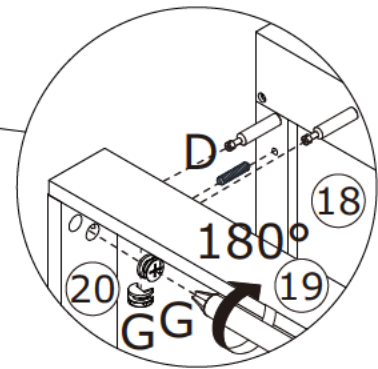
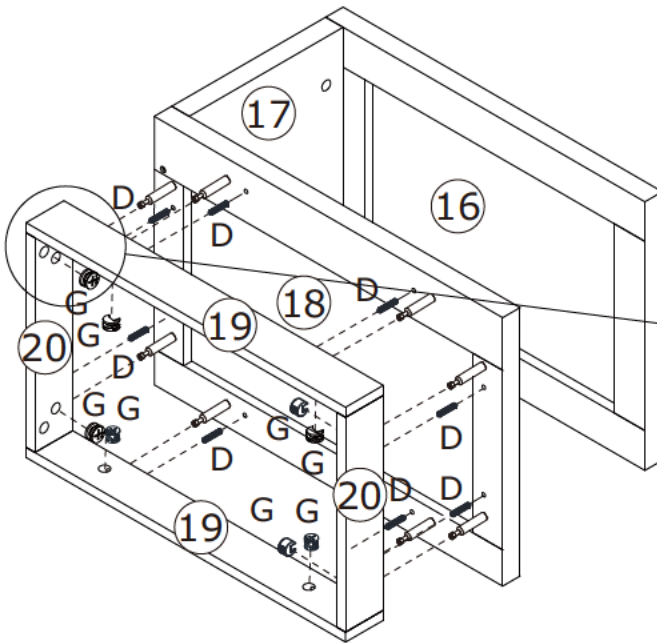
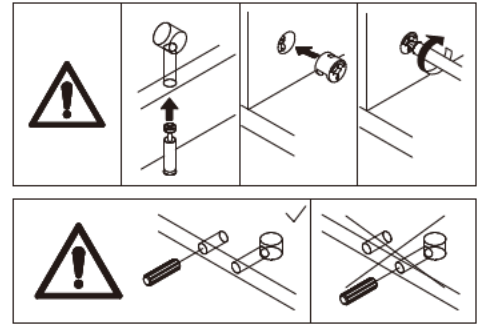


x2

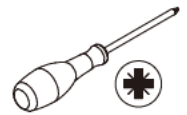
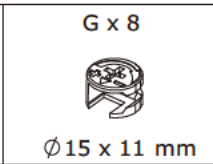
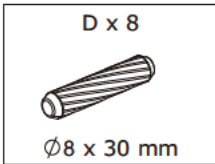
19



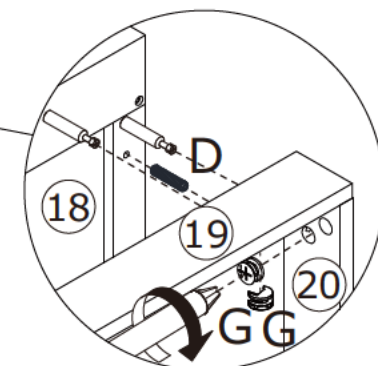
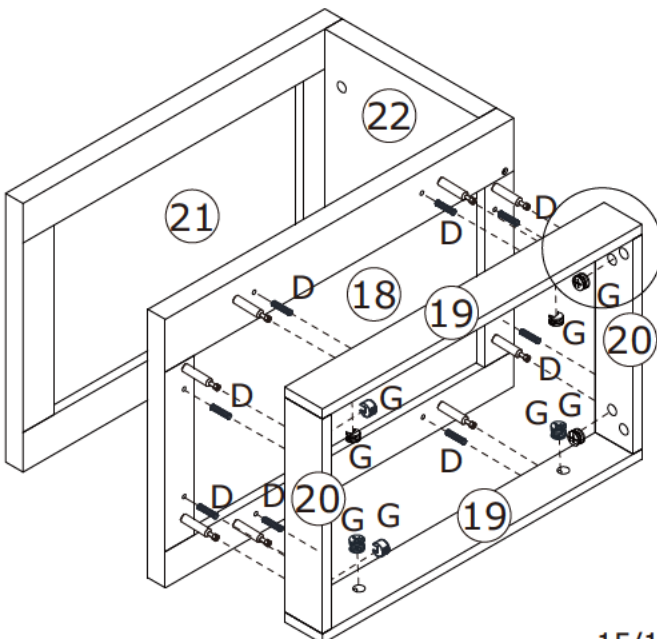
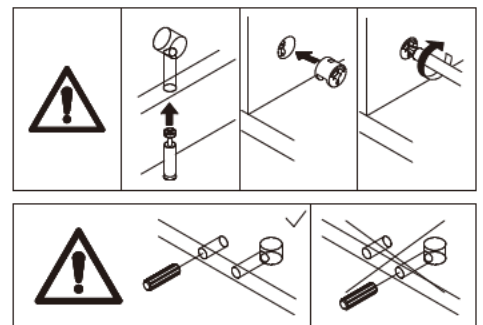
Attach the component to plate 18 with wooden dowel(D), put cam lock(G) into holes in plate 19, 20 and turn clockwise to tighten as shown.



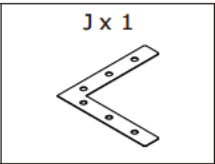
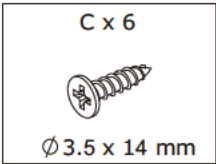
20



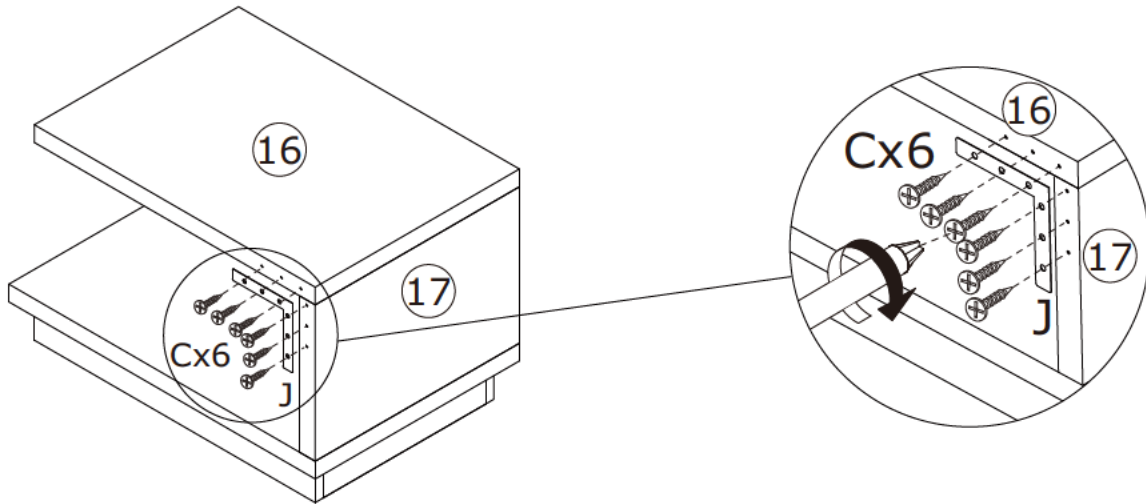
Attach another component to another plate 18 with wooden dowel(D), put cam lock(G) into holes in plate 19, 20 and turn clockwise to tighten as shown.



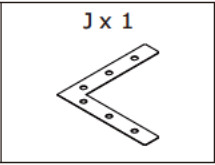
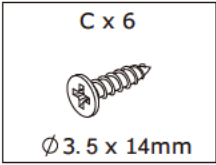
21



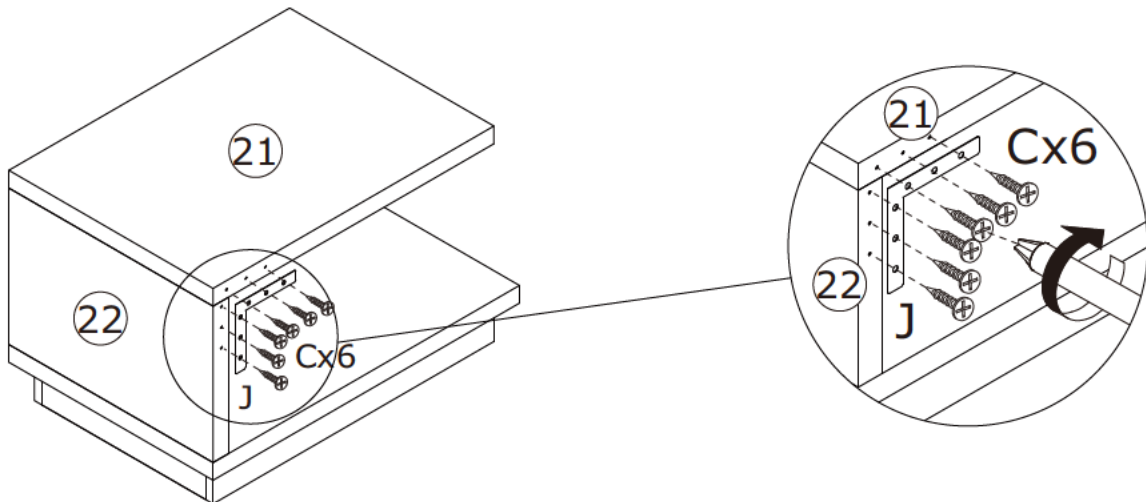
Fix part(J) to plate 16 and 17 using screw(C) as shown.



22



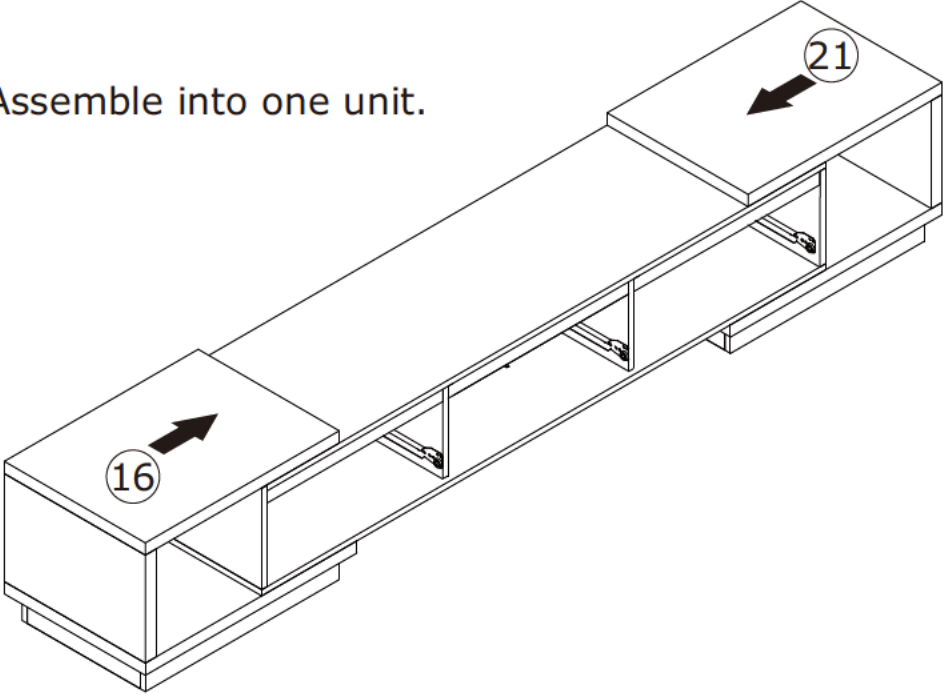
Fix part(J) to plate 21 and 22 using screw(C) as shown.



23



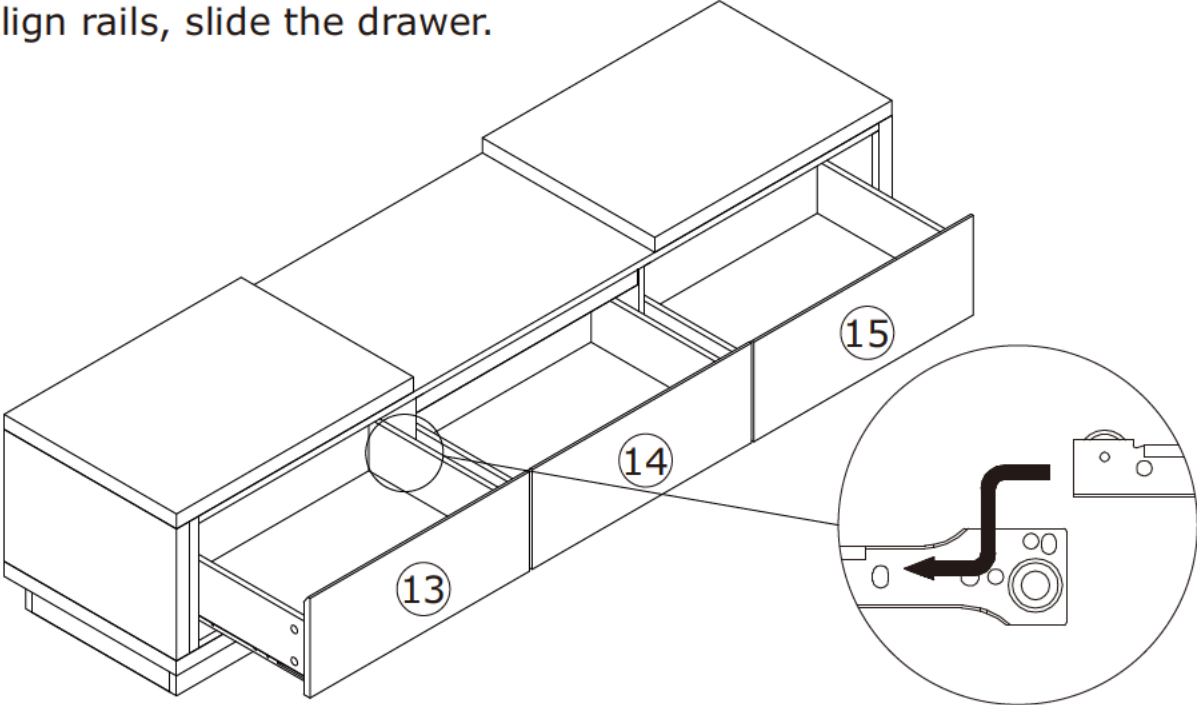
Assemble into one unit.



24



Align rails, slide the drawer.



WARRANTY

WARRANTY CLAIMS

- There is a 30-day warranty for broken furniture or any other problems that do not work properly. The warranty will start from the date of purchase which must be verified by proof of purchase.
- Before making a claim, we may be able to answer your query, simply call us. Please leave your purchase order number, along with some details of the problem, if you want a replacement part. We will arrange within 48 hours. If there is out of stock, we will reply with a shipping date.
- The product must be used in accordance with the instructions provided. For health reasons.
- For other reasons, if the furniture needs to be returned, it must be cleaned and dried and operated within 30 days of receipt.

Type of Warranty Claim

- Failure to follow the furniture instructions will invalidate the warranty. Attention please.
- Does not include damage during installation, but includes damage during transportation.

Scope of responsibility

- Shall not bear any responsibility for misuse or user damage and / or loss of parts during the installation of furniture.
- After using, the damage and scratches of the furniture are not covered by the warranty.

The Warranty Relates to All Bought in The Us and Covers The Following Areas

- Sheet parts: 1 month from the date of purchase.
- Electrical parts: 1 month from the date of purchase.

RETURNS

CHANGED YOUR MIND AND NEED TO RETURN YOU ITEM?

PLEASE FOLLOW THE BELOW INSTRUCTIONS:

- If you have purchased and have simply changed your mind, follow the retailer's instructions for returns.

DEFECTIVE ITEMS

- If your item is defective in any way, i.e. it doesn't work but you can't identify why, in the first instance, please call us.

DAMAGED ITEMS

- If you receive an order with obvious shipping damage from the retailer, then we suggest the delivery is refused. If the delivery has been accepted and then shipping damage is found, please follow the specific instructions advised by the retailer.
In all circumstances please save all packaging material and paperwork for the order. Please be aware that if you dispose of packaging material or attempt to return the merchandise without contacting the fulfiller, you jeopardise your chances of making a claim, and you may not receive a credit for the return.