

## NOTICE

---

- \* Please make sure that you have all parts indicated and they are in good condition before you begin assembly of this item. Refer to part list and hardware list below for guidance.
- \* This item should be assembled on a soft surface to prevent scratching the finish during assembly.
- \* This item may require periodic tightening.

## PREPARATION

---

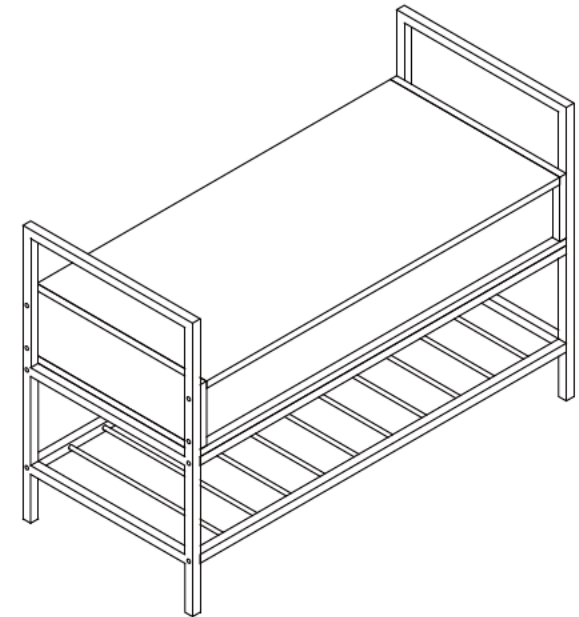
- \* Before beginning assembly of product, make sure all parts are present. Compare parts with part contents list and hardware contents list.
- \* If any part is missing or damaged, do not attempt to assemble the product.
- \* Estimated Assembly Time: 50 minutes.
- \* Tools Required for Assembly Required: Allen Key and Phillips Screwdriver.

## CARE AND MAINTENANCE

---

- \* Always use felt pads under all articles to prevent discoloration or softening of the lacquer. Plastic and rubber bases on items can discolor wood. Wipe up spills immediately and avoid common hazards such as hot dishes, harsh solvents and abrasives. Cleaning should be done with a soft lint free cotton cloth dampened with water or furniture polish. On highly used surfaces we recommend applying a quality paste wax which should be used on a regular basis to provide additional protection from scratches and spills. How often you apply the wax depends on how much wear the furniture receives.
- \* Wipe spills immediately. Maintain with regular dusting and clean with mild soap and water, dry thoroughly and do not use a brass cleaner. Adhesive felt pads should always be used/applied in order to prevent damage to the furniture or surfaces on which the furniture is placed.

Item Dimension:35.4"Wx15.7"Dx23.6"H




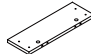
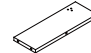


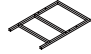











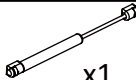


**WARNING**

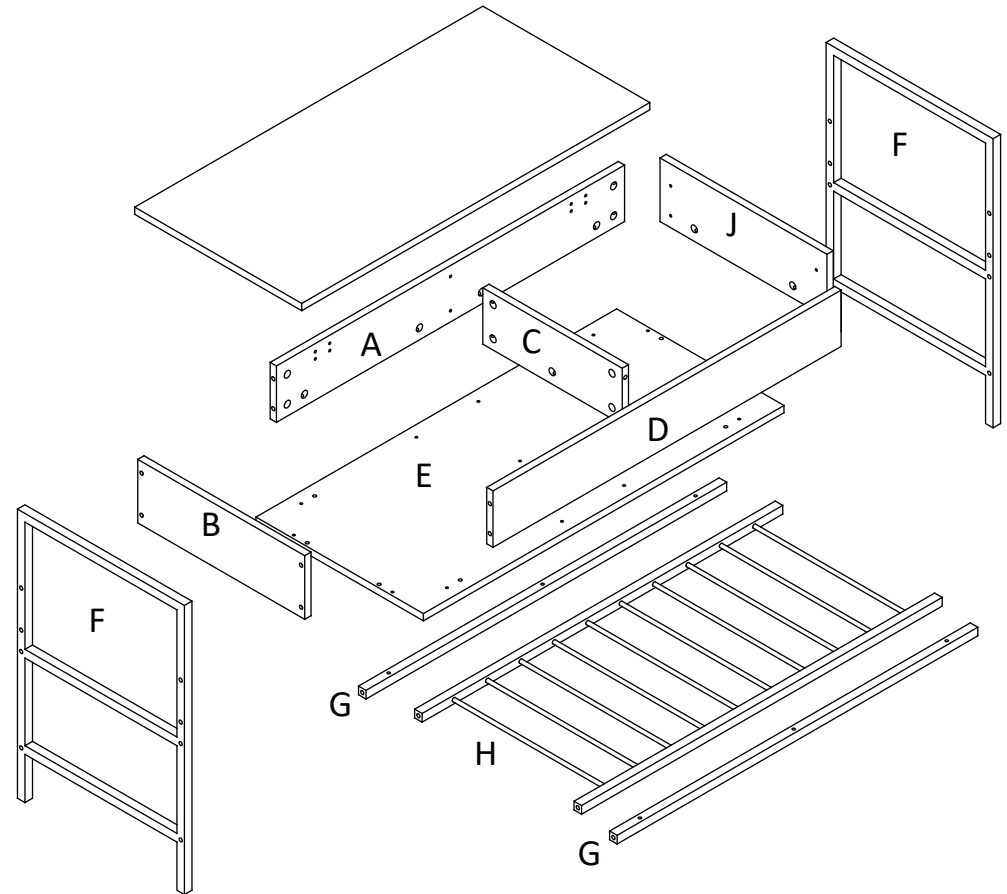
Weight Capacity-275LBS

Warning:Do not stand on Table

Warning:Do not over torque bolts.

## Part List and Hardware List

PIECE	DESCRIPTION	PICTURE	QUANTITY
A	Back Panel		1X
B	Left Side Panel		1X
C	Middle Panel		1X
D	Side Panel		1X
E	Bottom Panel		1X
F	Leg		2X
G	Bar iron		2X
H	iron		1X
I	Top Panel		1X
J	Right Side Panel		1X
HW1	Cam Bolt		25X
HW2	Cam Lock		25X
HW3	Dowel		12X
HW4	Long Bolt (0.6X0.5X30mm)		16X
HW5	Hinge		2X
HW6	Screw (0.4X0.3X11mm)		12X
HW7	Allen Key		1X
HW8	Sticker		25X
HW9	 x1  x1  (4X0.5X11mm) x5  x1		
HW10	Adjuster		4X



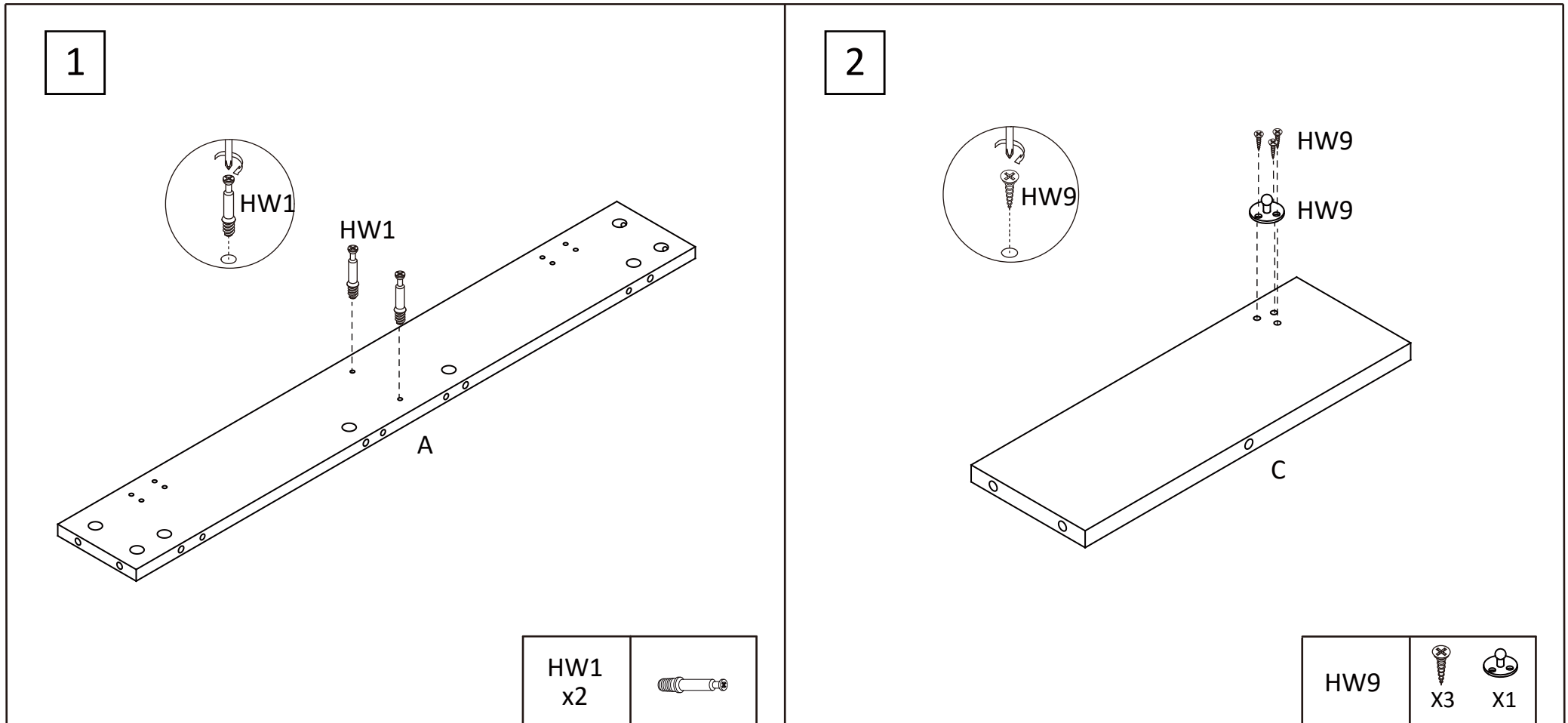
# PREPARATION

Before beginning assembly of product, make sure all parts are present. Compare parts with package contents list and hardware contents list.

If any part is missing or damaged, do not attempt to assemble the product.

Estimated Assembly Time: 50 minutes.

Tools Required for Assembly : Phillips Screwdriver and Allen Keys. Phillips Screwdriver are not included, Allen Key included.



STEP1:  
Insert 2x cam bolts (HW1) into panel [A]. Tighten with a screwdriver.

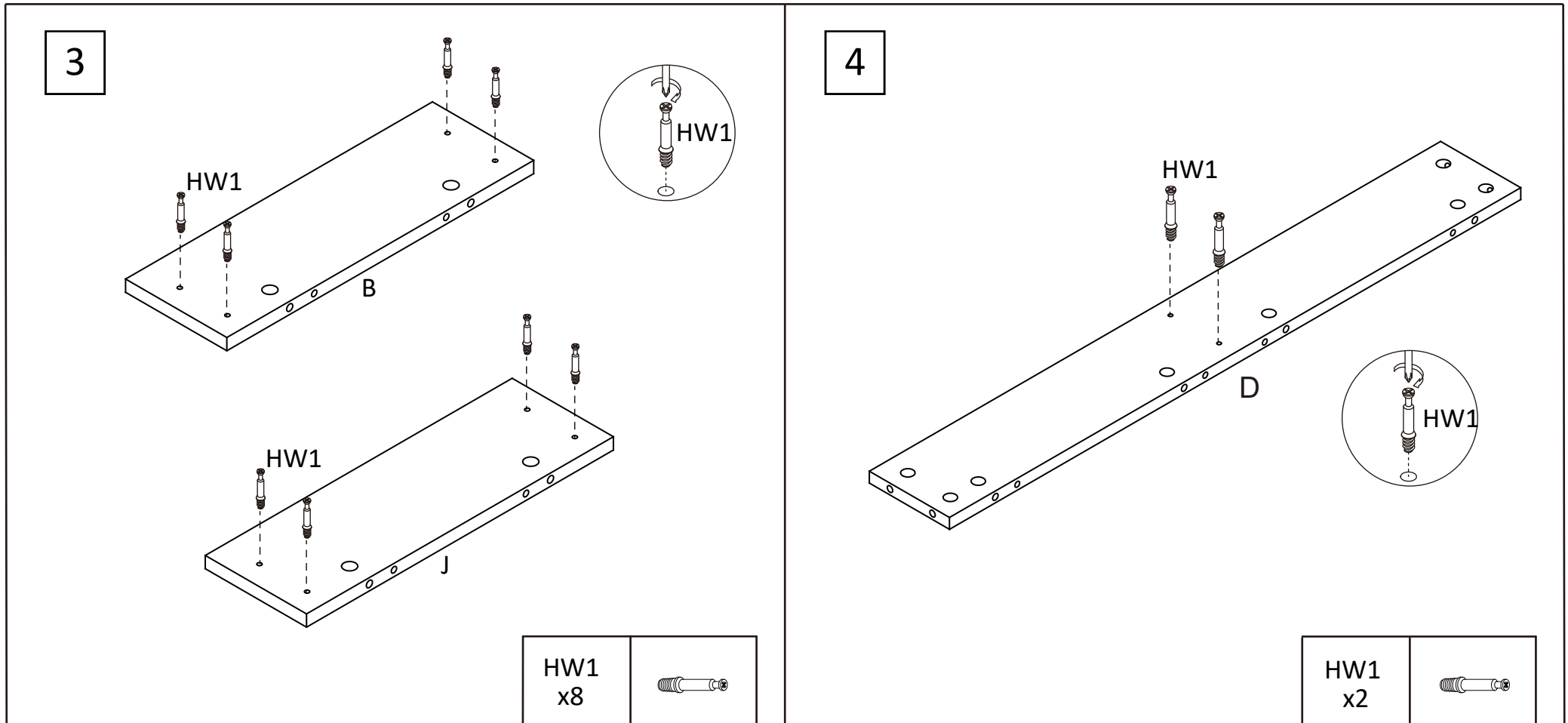
STEP2:  
Attach washer (HW9) to panel [C] with 3X screws (HW9) .Tighten with a screwdriver.

# PREPARATION

Before beginning assembly of product, make sure all parts are present. Compare parts with package contents list and hardware contents list. If any part is missing or damaged, do not attempt to assemble the product.

Estimated Assembly Time: 50 minutes.

Tools Required for Assembly : Phillips Screwdriver and Allen Keys. Phillips Screwdriver are not included, Allen Key included.



STEP3:  
Insert 8x cam bolts (HW1) into panels [B] and [J] . Tighten with a screwdriver.

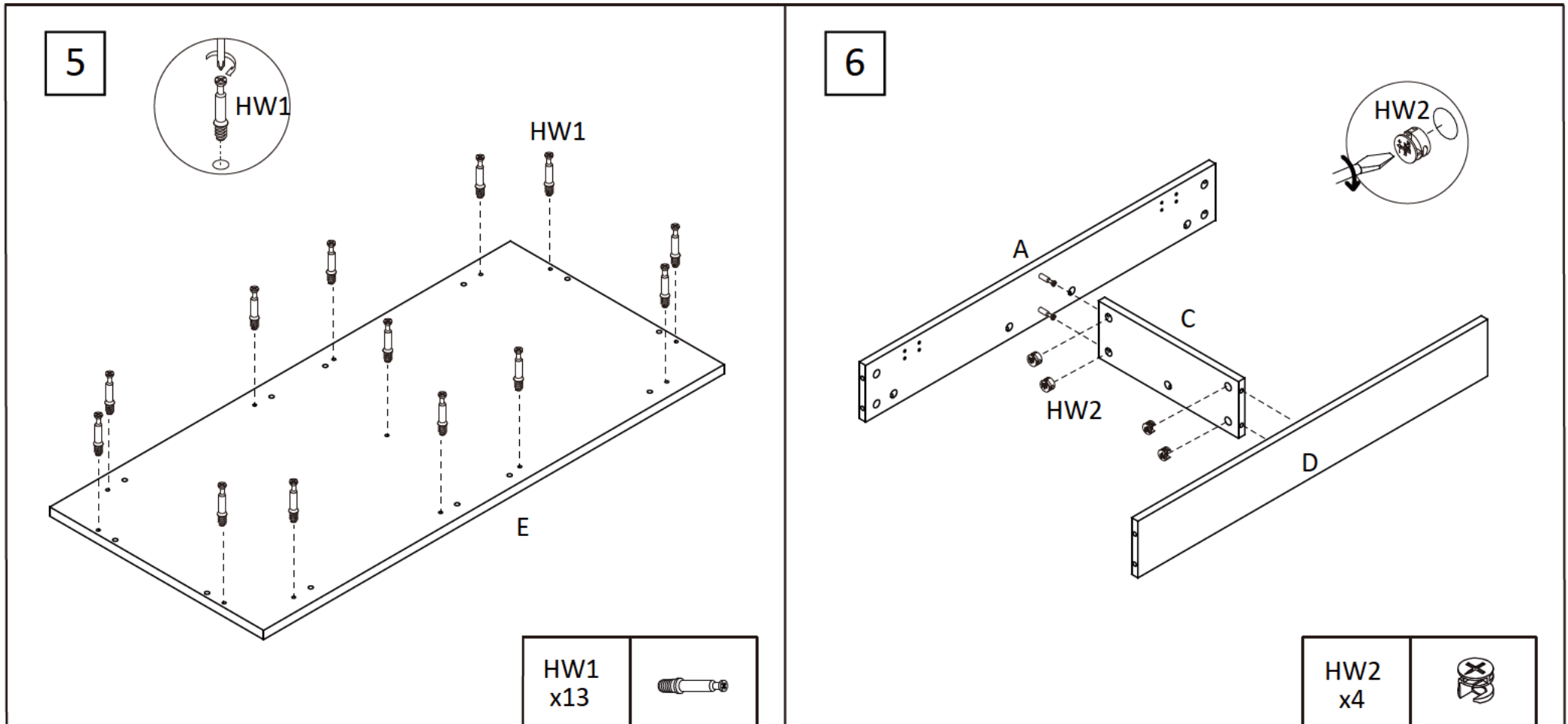
STEP4:  
Insert 2x cam bolts (HW1) into panels [D]. Tighten with a screwdriver.

# PREPARATION

Before beginning assembly of product, make sure all parts are present. Compare parts with package contents list and hardware contents list. If any part is missing or damaged, do not attempt to assemble the product.

Estimated Assembly Time: 50 minutes.

Tools Required for Assembly : Phillips Screwdriver and Allen Keys. Phillips Screwdriver are not included, Allen Key included.



STEP5:  
Insert 13x cam bolts (HW1) into panel [E]. Tighten with a screwdriver.

STEP6:  
Attach panels [A] and [D] to panel [C] secure with 4x cam lock (HW2).  
Tighten with a screwdriver.

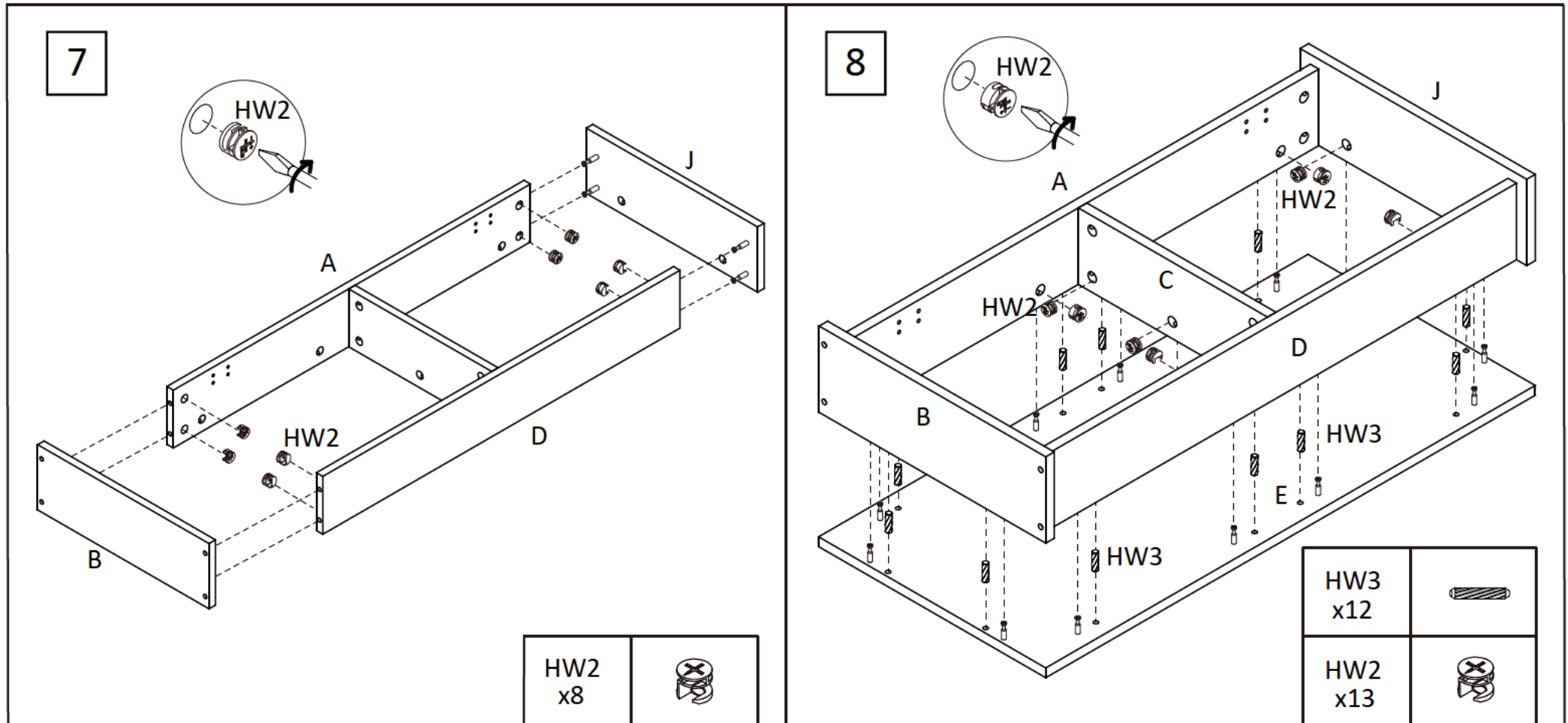
# PREPARATION

Before beginning assembly of product, make sure all parts are present. Compare parts with package contents list and hardware contents list.

If any part is missing or damaged, do not attempt to assemble the product.

Estimated Assembly Time: 50 minutes.

Tools Required for Assembly : Phillips Screwdriver and Allen Keys. Phillips Screwdriver are not included, Allen Key included.



## STEP7:

Attach panels [B] and [J] to panels [A] and [D] secure with 8x cam lock (HW2). Tighten with a screwdriver.

## STEP8:

Attach panels [A], [B], [D] and [J] to panels [E] with 12X dowels (HW3) and secure with 13x cam lock (HW2). Tighten with a screwdriver.

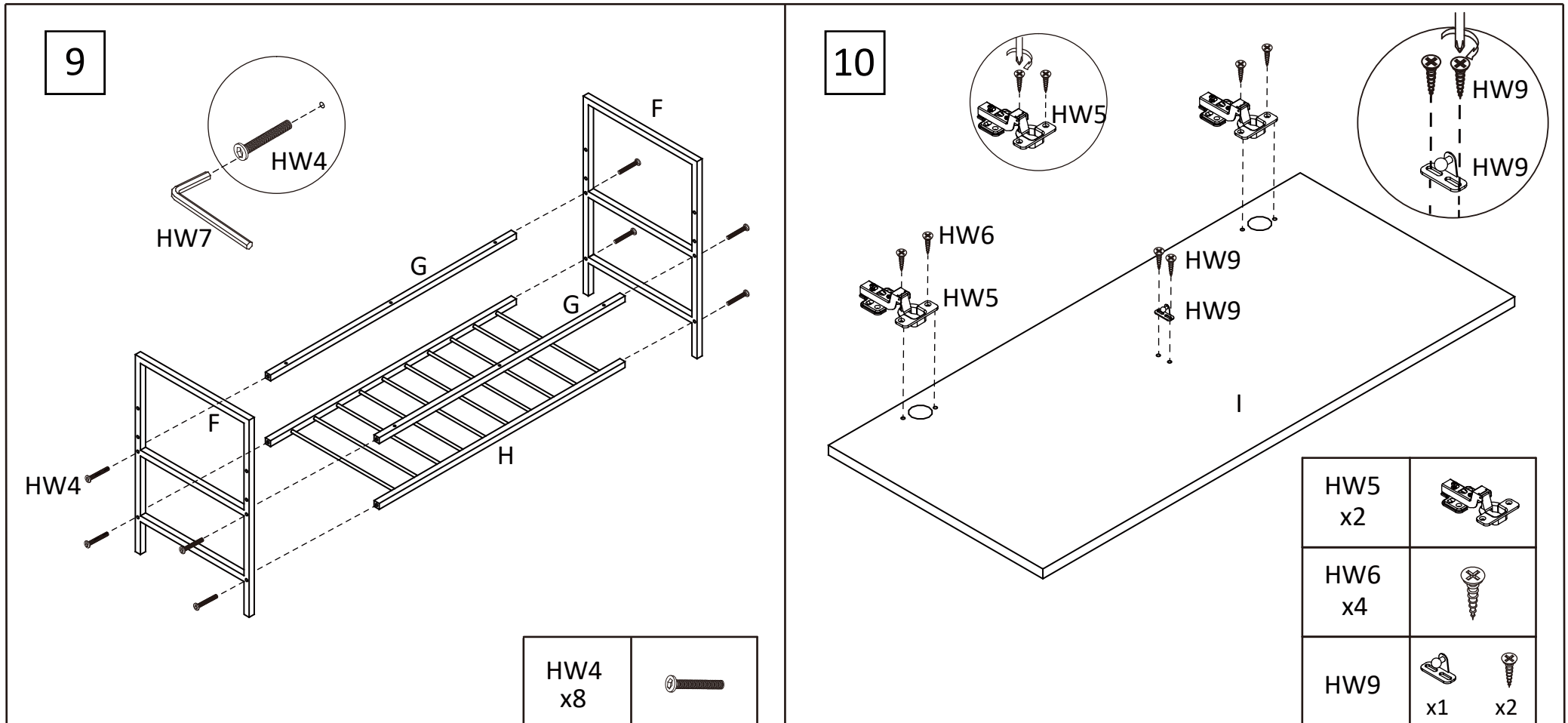
# PREPARATION

Before beginning assembly of product, make sure all parts are present. Compare parts with package contents list and hardware contents list.

If any part is missing or damaged, do not attempt to assemble the product.

Estimated Assembly Time: 50 minutes.

Tools Required for Assembly : Phillips Screwdriver and Allen Keys. Phillips Screwdriver are not included, Allen Key included.



## STEP9:

Attach legs [F] to panels [G] and [H] secure with 8x bolt (HW4). Tighten with a allenkey.

## STEP10:

Attach 2x hinge (HW5) to panels [I] and secure with 4x screws (HW6). Tighten with a screwdriver. Attach 1x washer (HW9) to panels [I] and secure with 2x screws (HW9). Tighten with a screwdriver.

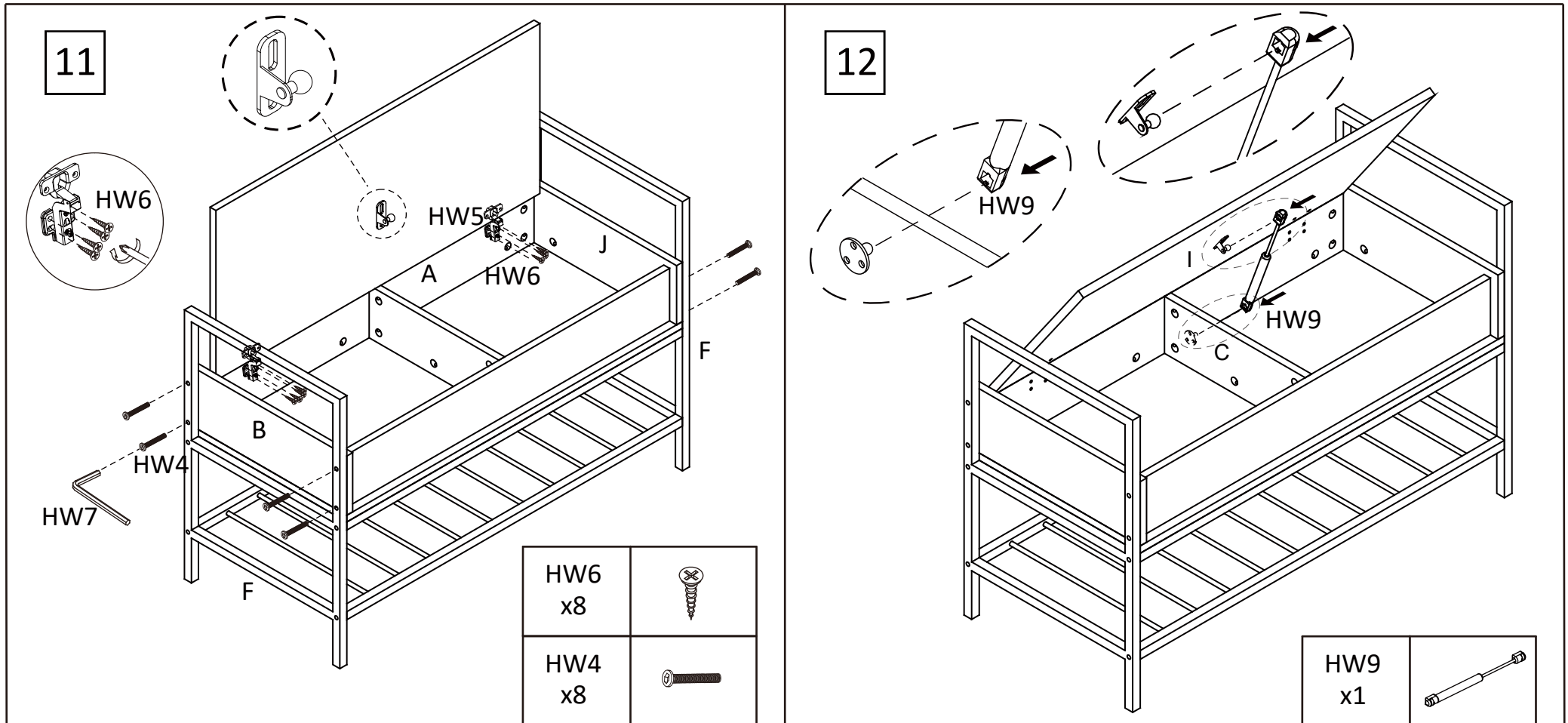
# PREPARATION

Before beginning assembly of product, make sure all parts are present. Compare parts with package contents list and hardware contents list.

If any part is missing or damaged, do not attempt to assemble the product.

Estimated Assembly Time: 50 minutes.

Tools Required for Assembly : Phillips Screwdriver and Allen Keys. Phillips Screwdriver are not included, Allen Key included.



STEP11:

Attach 2x hinge (HW5) to panels [A] and secure with 8x screws (HW6). Tighten with a screwdriver. Attach leg [F] to panels [B] and [J] and secure with 8x bolts (HW4). Tighten with a allenkey.

STEP12:

Attach 1x Mechanism (HW9) to washer (HW9) and link together .

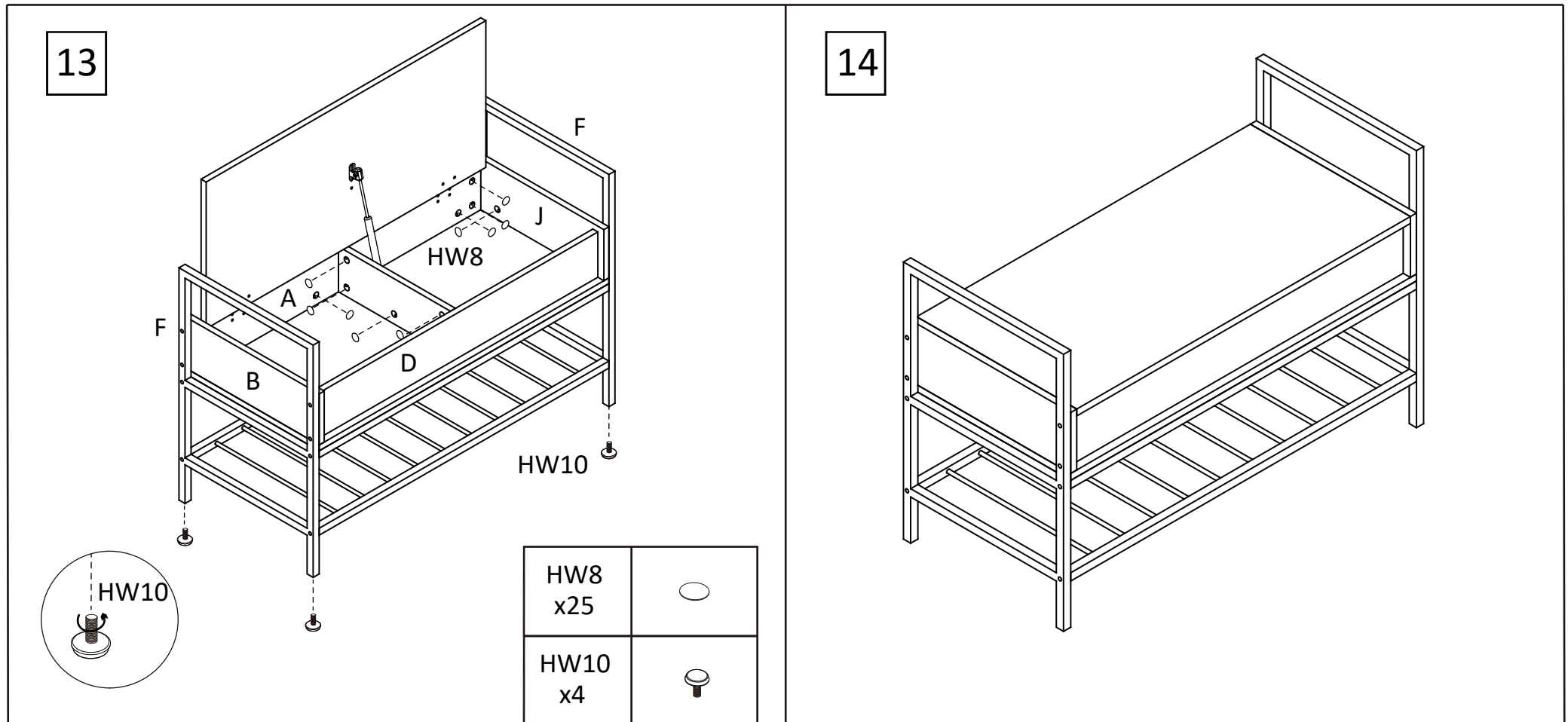
## PREPARATION

Before beginning assembly of product, make sure all parts are present. Compare parts with package contents list and hardware contents list.

If any part is missing or damaged, do not attempt to assemble the product.

Estimated Assembly Time: 50 minutes.

Tools Required for Assembly : Phillips Screwdriver and Allen Keys. Phillips Screwdriver are not included, Allen Key included.



### STEP13:

Attach 25x stickers (HW8) to panels [A], [B], [D], [J]. Attach 4x adjuster (HW10) to the ends of the legs [F] as shown.

### STEP14:

You're done, enjoy!