
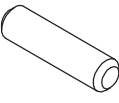

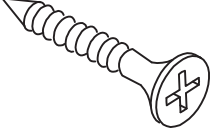


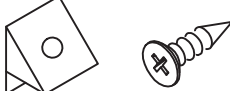
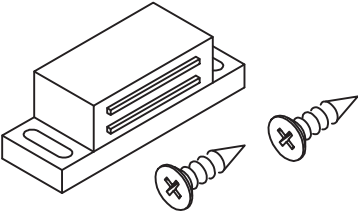

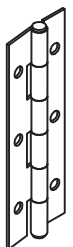
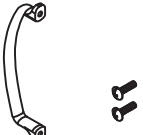

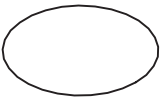
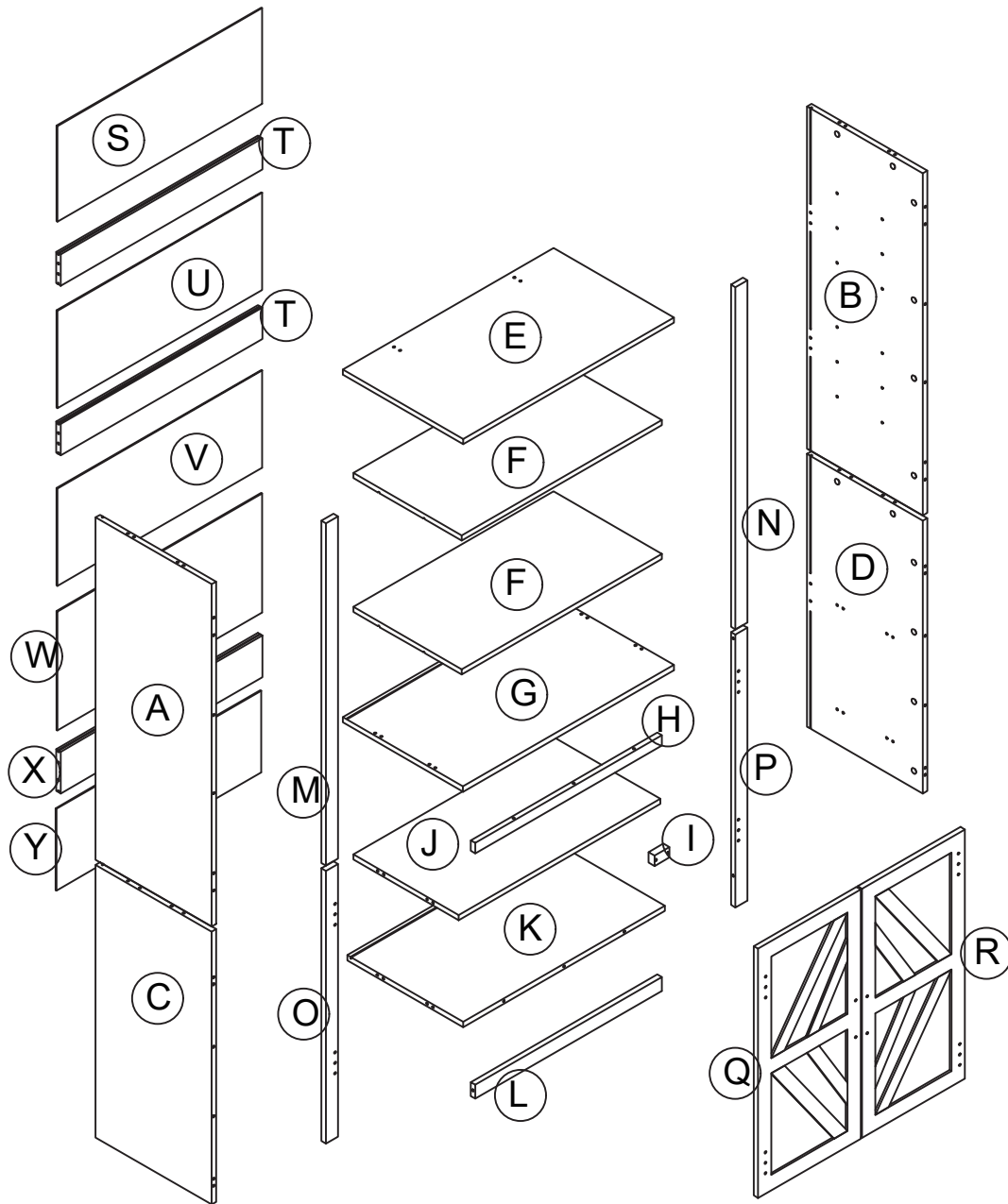
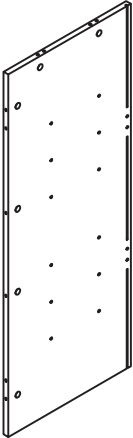
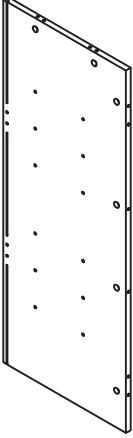
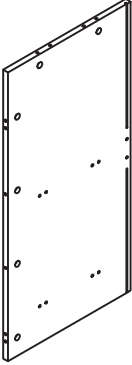
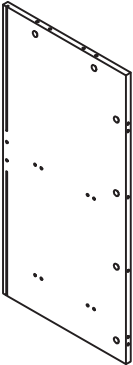
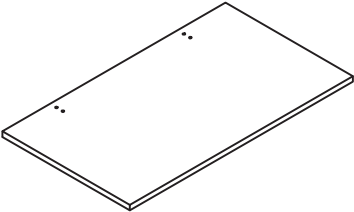
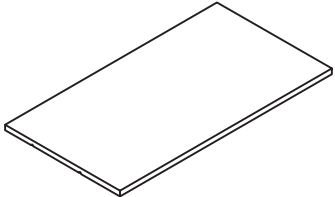
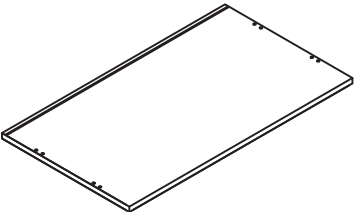
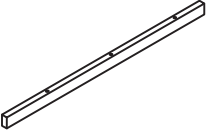
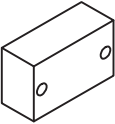
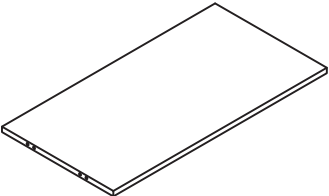
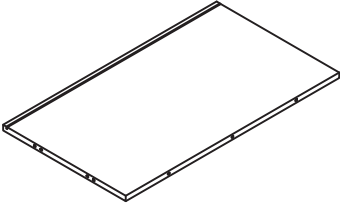
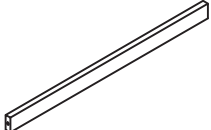








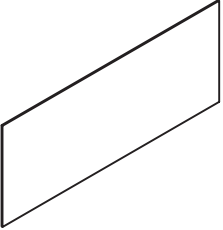
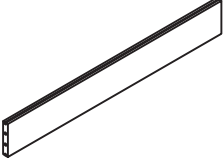
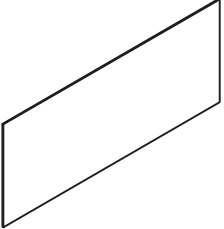
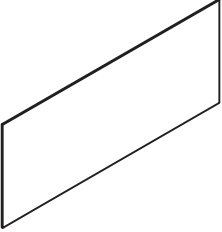
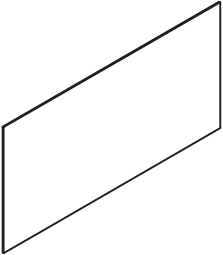
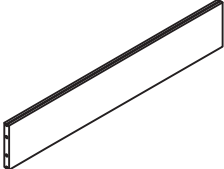
READ AND SAVE THIS INSTRUCTIONS BEFORE USE

ASSEMBLY & INSTRUCTION MANUAL

<p>①</p>  <p>Qyt:47+4</p>	<p>②</p>  <p>Qyt:36+3</p>	<p>③</p>  <p>M3.5X12 Qyt:24+2</p>
<p>④</p>  <p>M4x35 Qyt:7</p>	<p>⑤</p>  <p>Qyt:8+1</p>	<p>⑥</p>  <p>M4X18 Qyt:2</p>
<p>⑦</p>  <p>Qyt:20+2</p>	<p>⑧</p>  <p>Qyt:1</p>	<p>⑨</p>  <p>Qyt:2</p>
<p>⑩</p>  <p>Qyt:4</p>	<p>⑪</p>  <p>Qyt:2</p>	<p>⑫</p>  <p>Qyt:2</p>
<p>⑬</p>  <p>Qyt:12+1</p>	<p>⑭</p>	<p>⑮</p>



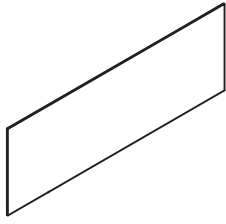
<p>A  x1</p>	<p>B  x1</p>	<p>C  x1</p>
<p>D  x1</p>	<p>E  x1</p>	<p>F  x2</p>
<p>G  x1</p>	<p>H  x1</p>	<p>I  x1</p>
<p>J  x1</p>	<p>K  x1</p>	<p>L  x1</p>

<p>M x1</p> 	<p>N x1</p> 	<p>O x1</p> 
<p>P x1</p> 	<p>Q x1</p> 	<p>R x1</p> 
<p>S x1</p> 	<p>T x2</p> 	<p>U x1</p> 
<p>V x1</p> 	<p>W x1</p> 	<p>X x1</p> 

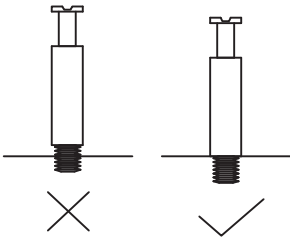
Y

x1

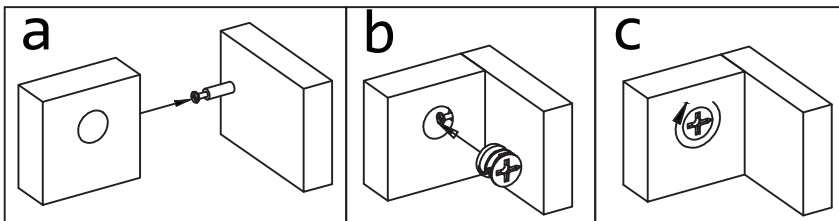
Z



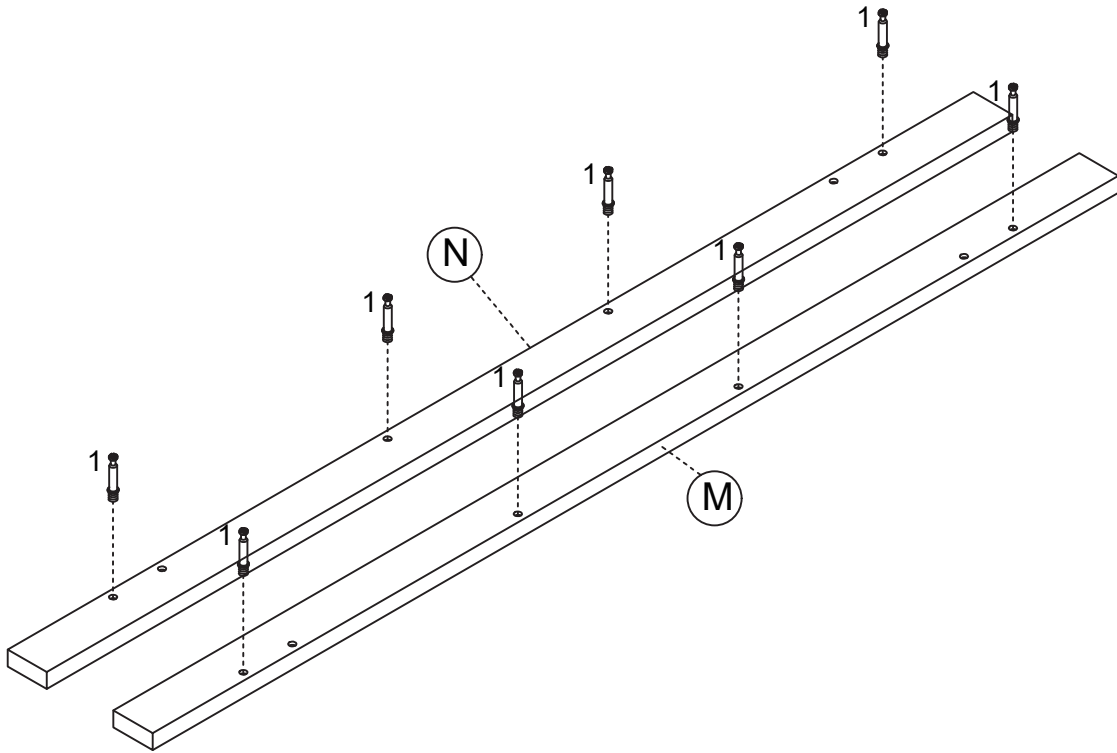
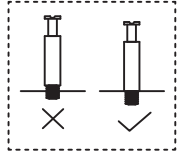
Make sure the pins are installed correctly as shown with the "check mark" below



Below shows how the pins are used to assemble the panels together.



1

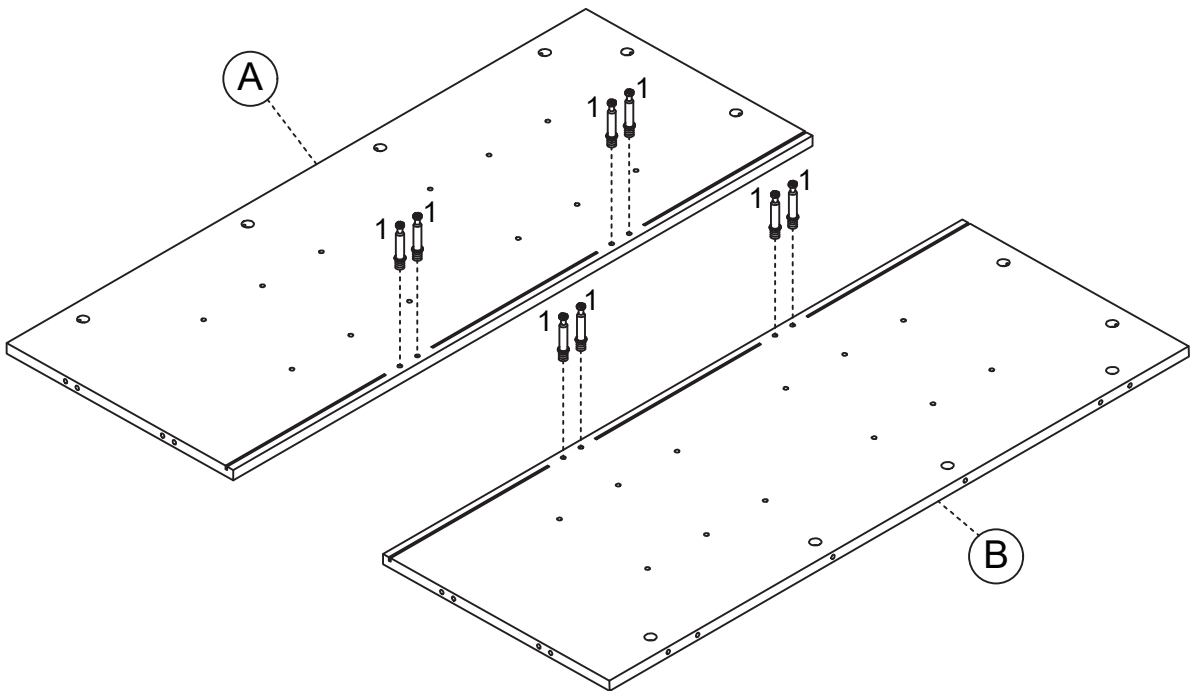


1



X 8

2

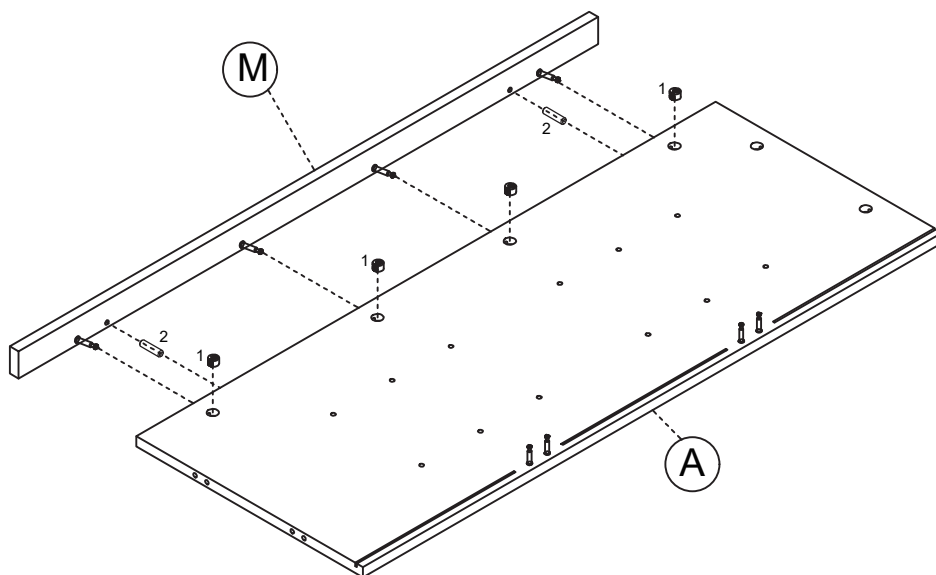
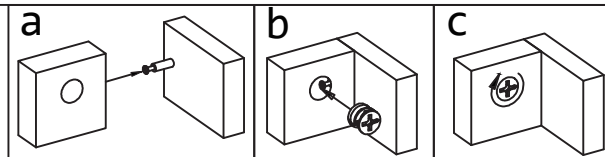


1



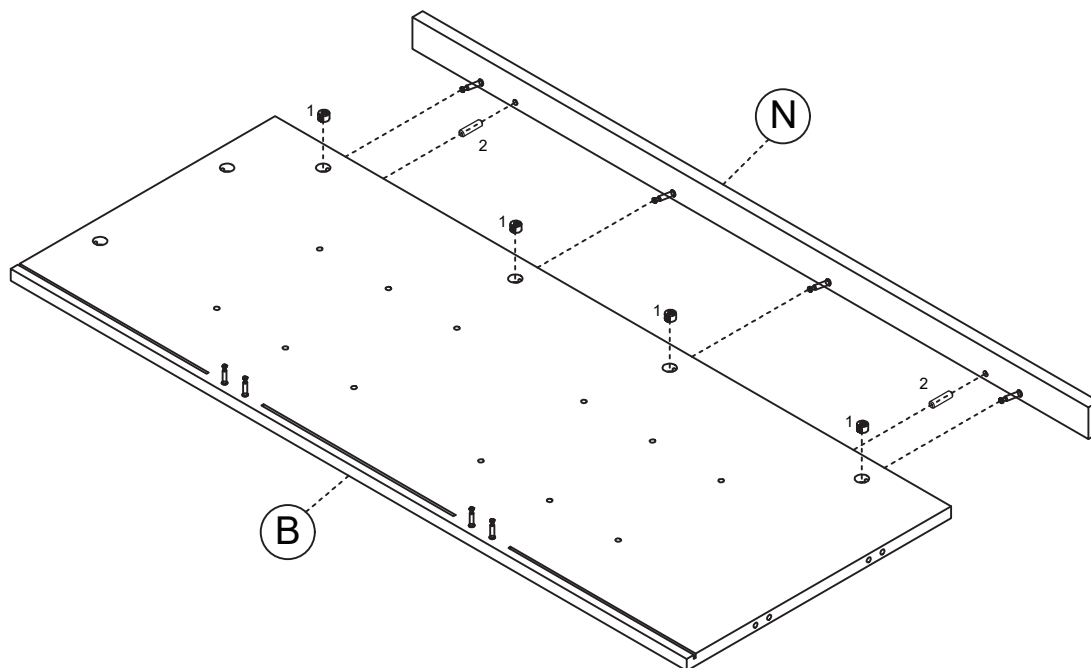
X 8

3



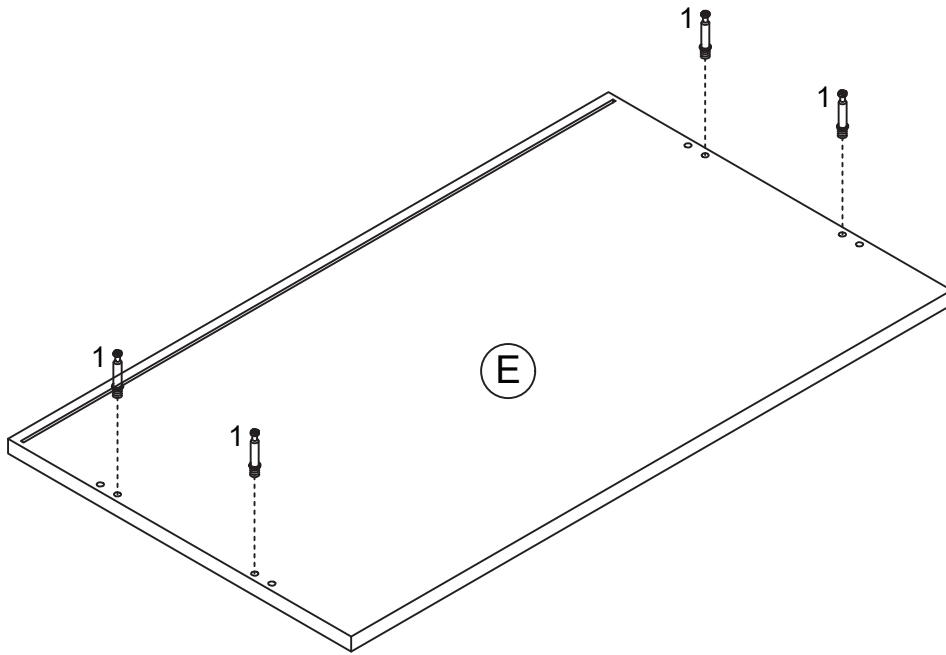
1		X 4
2		X 2

4



1		X 4
2		X 2

5

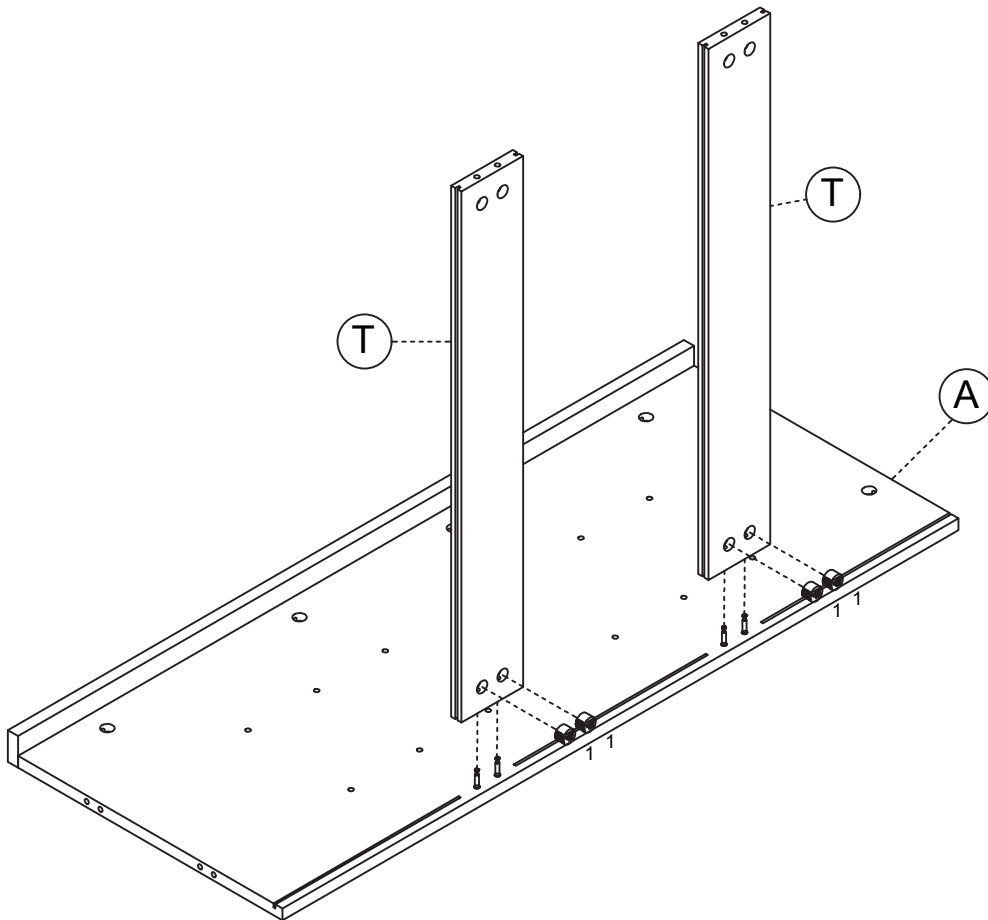


1



X 4

6

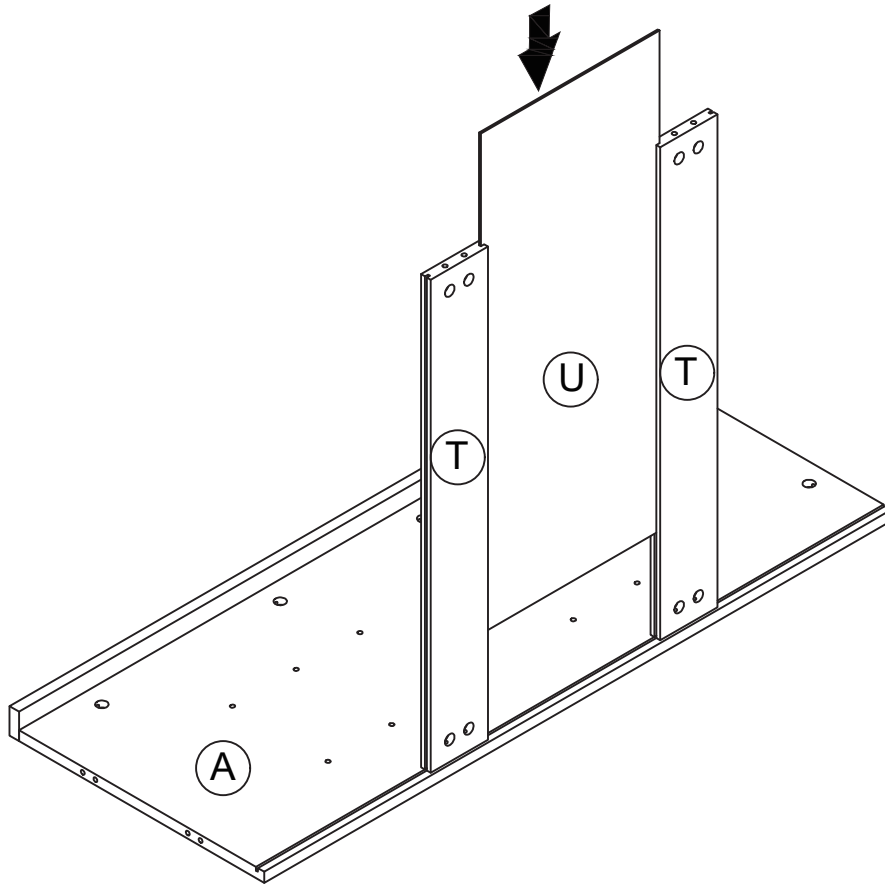


1

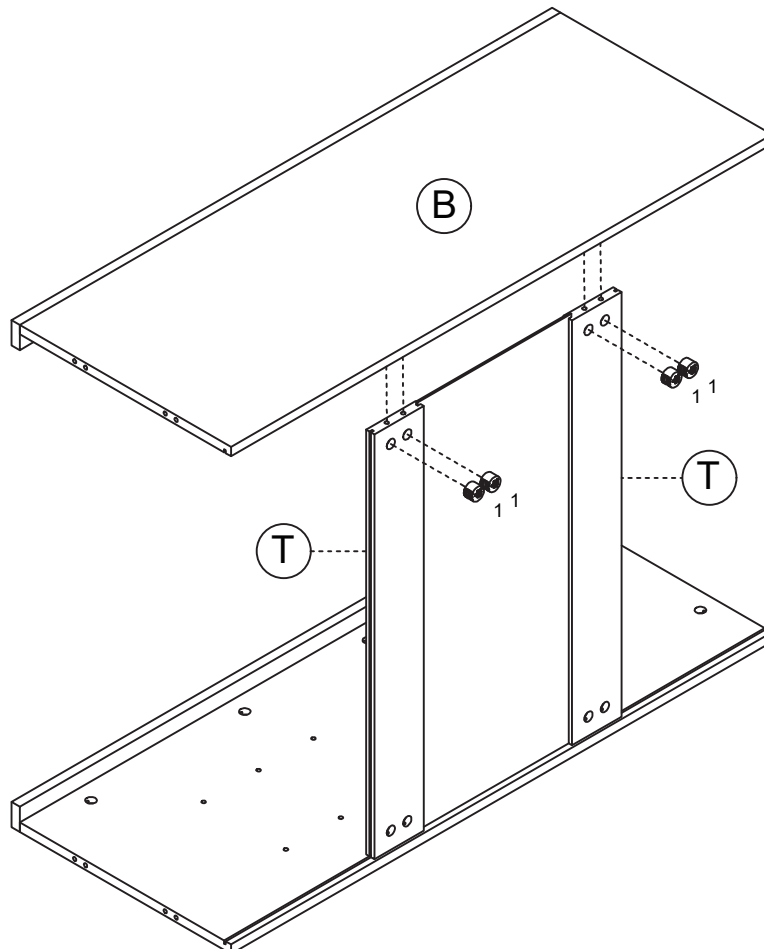


X 4

7



8

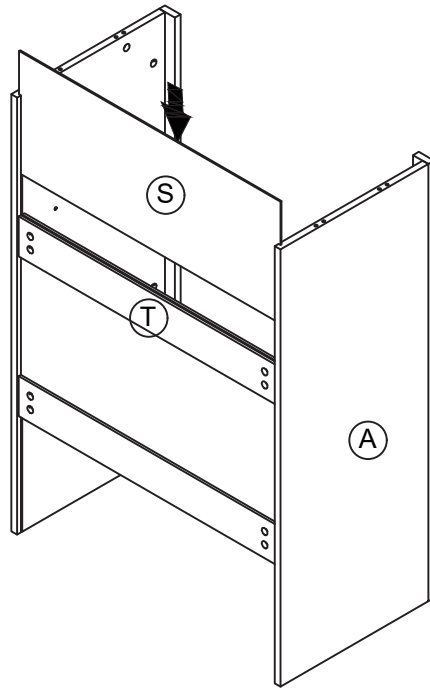


1

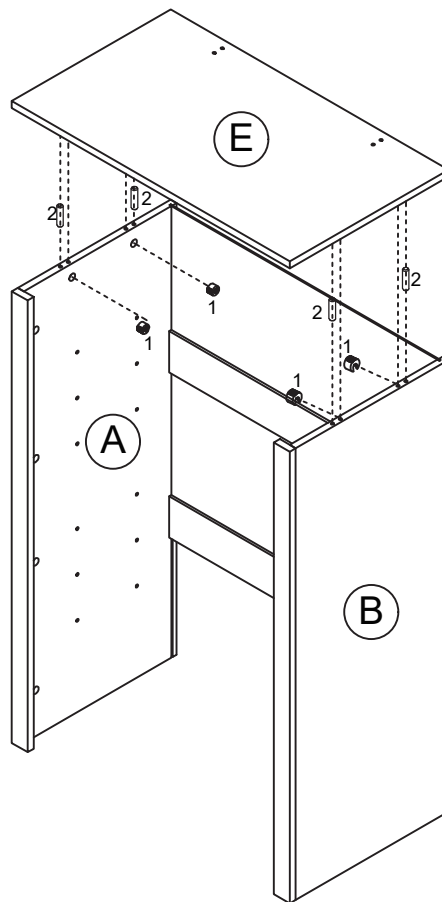




X4

9

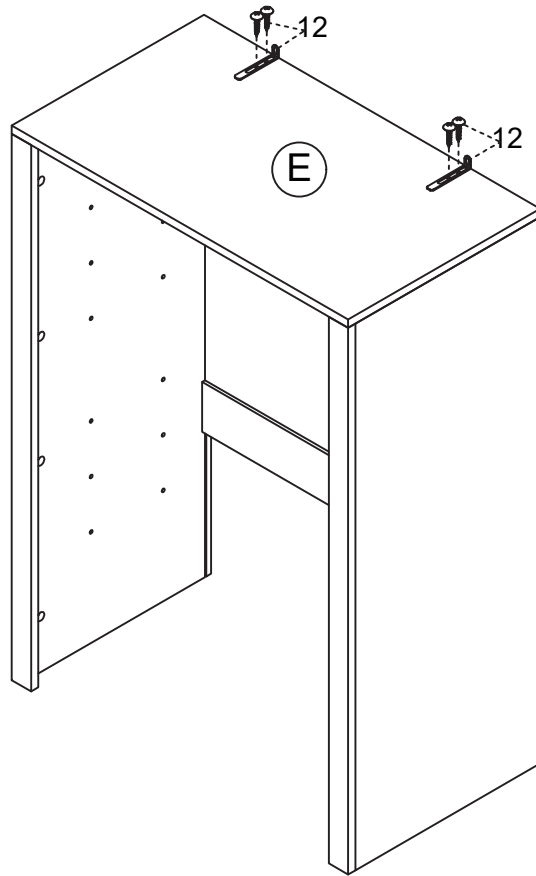


10



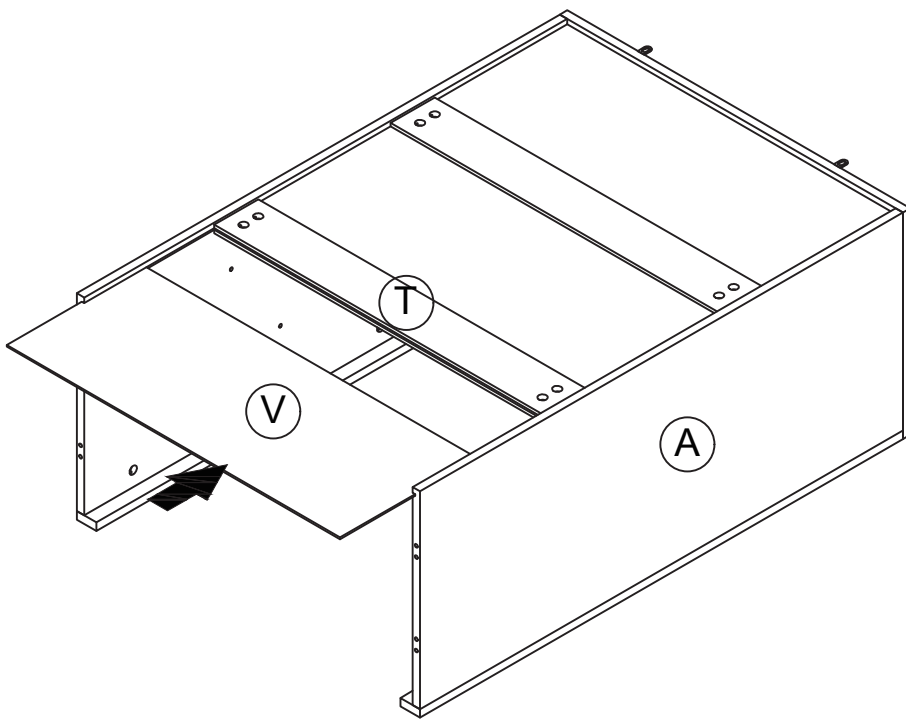
1		X 4
2		X 4

11

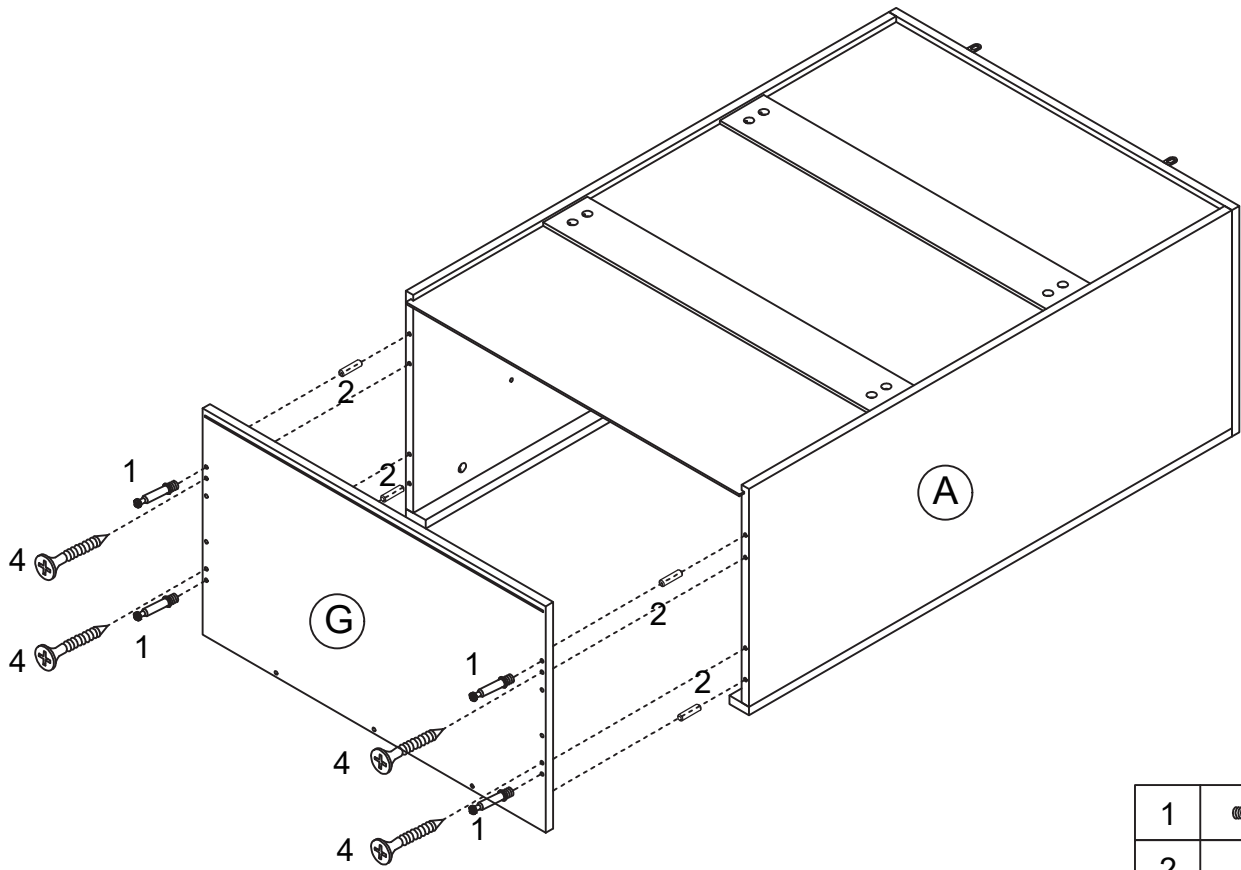





12  X 2

12

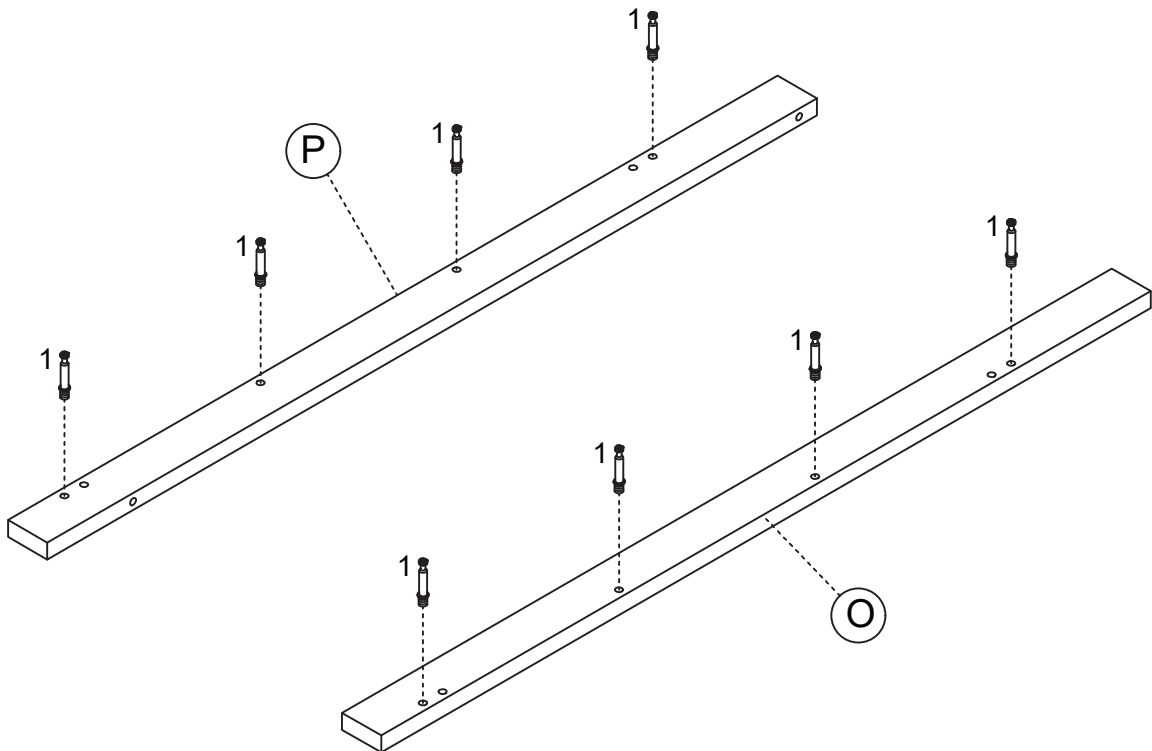



13



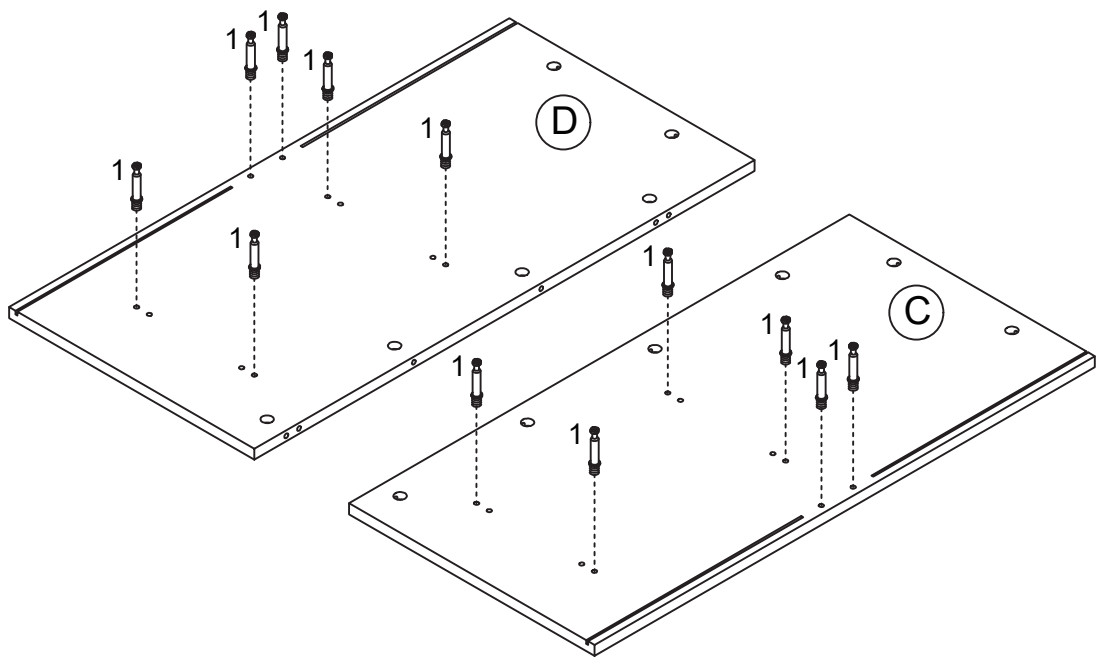
1		X 4
2		X 4
4		X 4


14



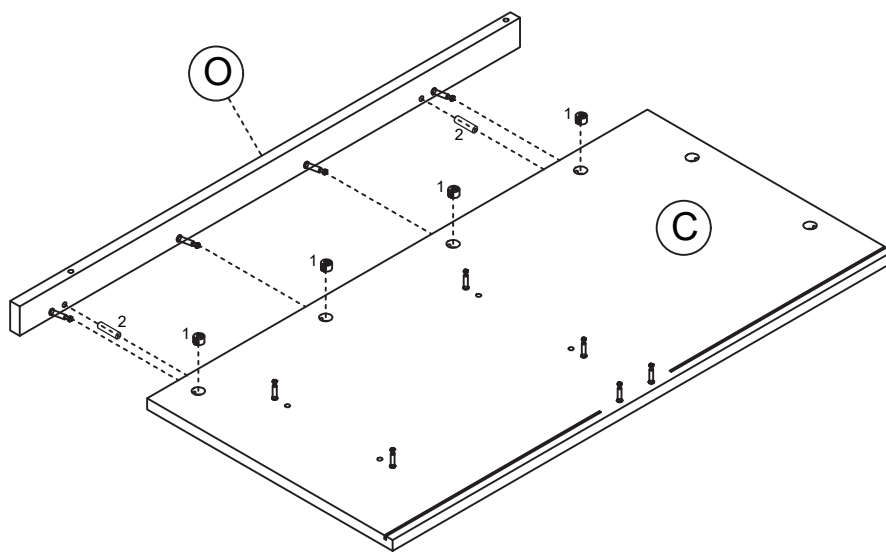
1		X 8
---	---	-----



15



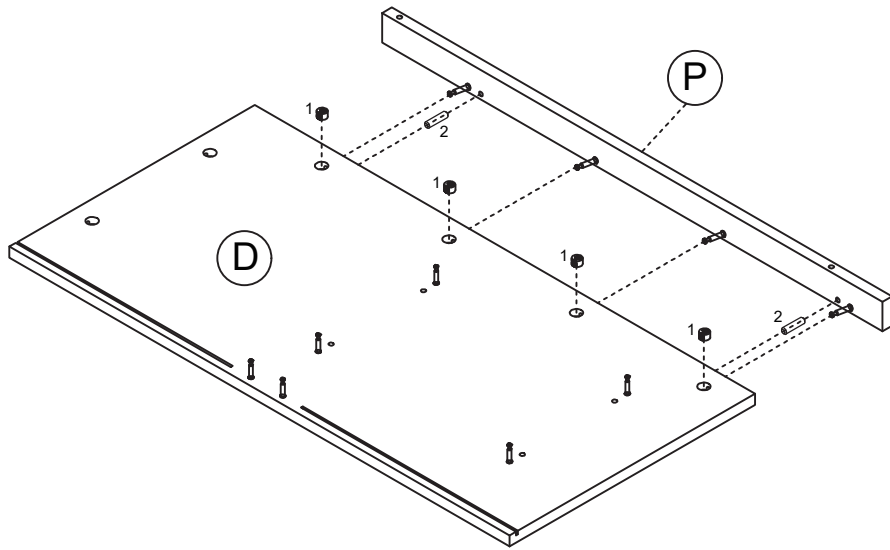
1		X 12
---	---	------



16



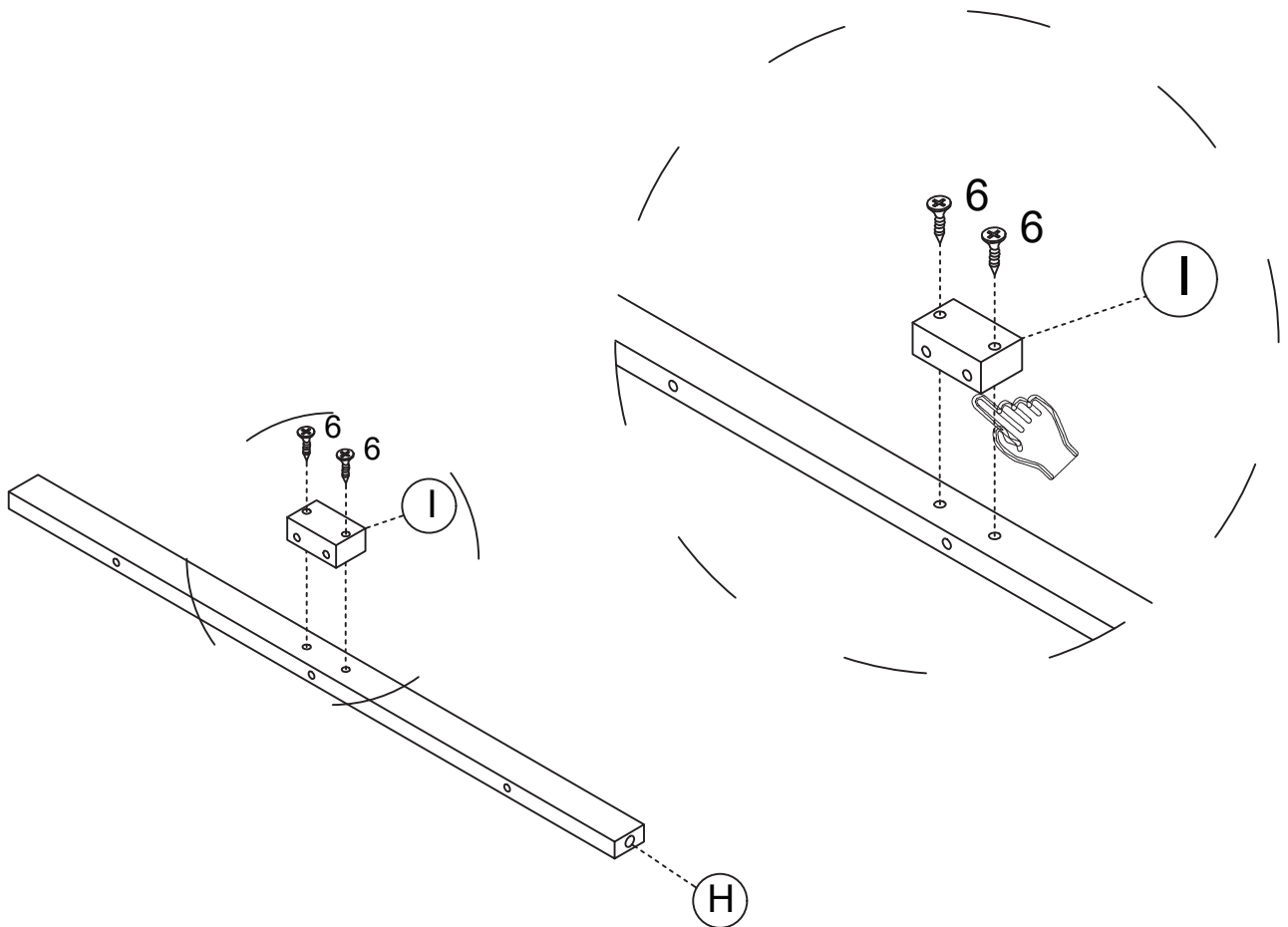
1		X 4
2		X 2

17



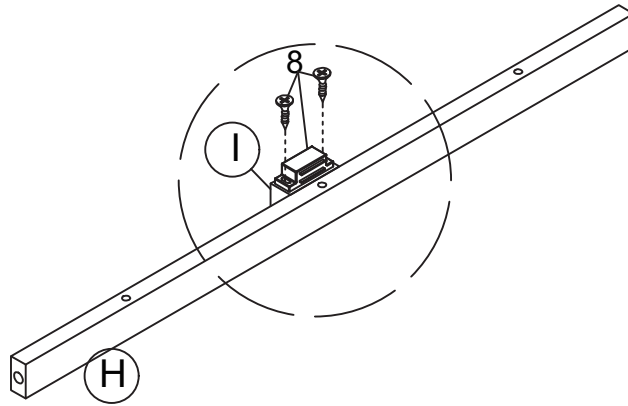
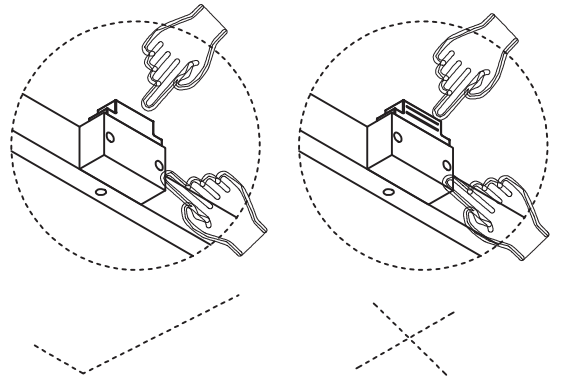
1		X 4
2		X 2

18



6		X 2
---	---	-----

19

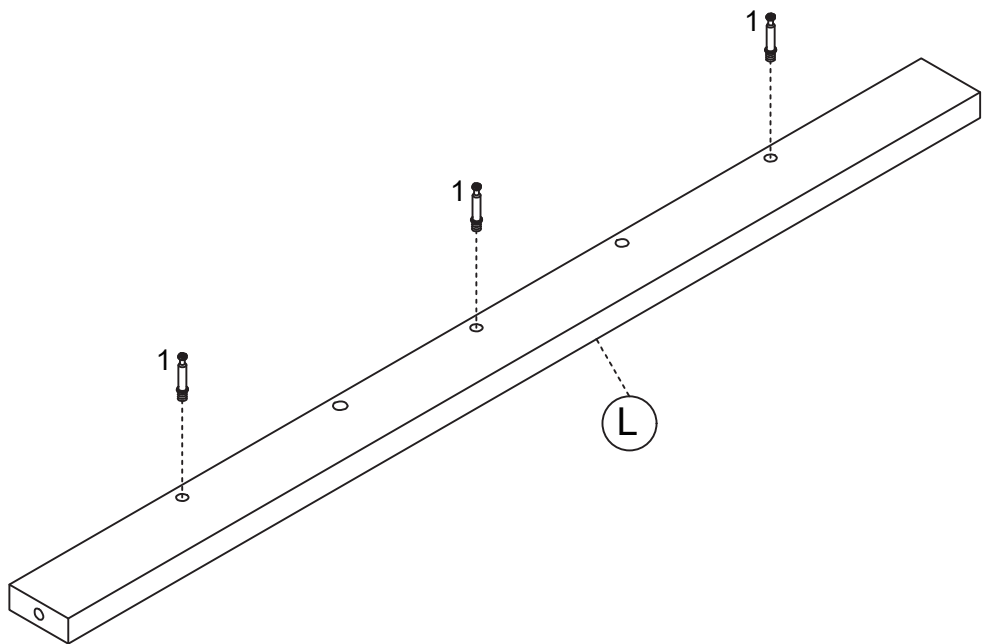


8



X 1

20

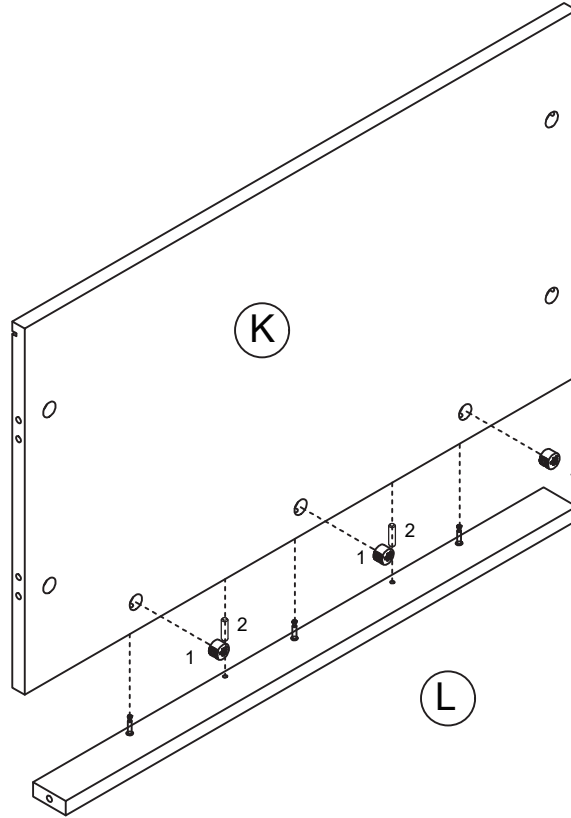




1



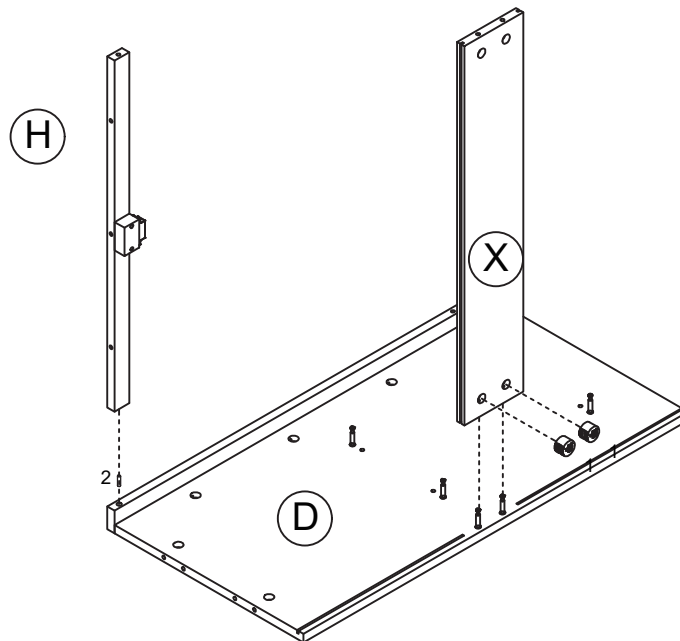
X 3



21



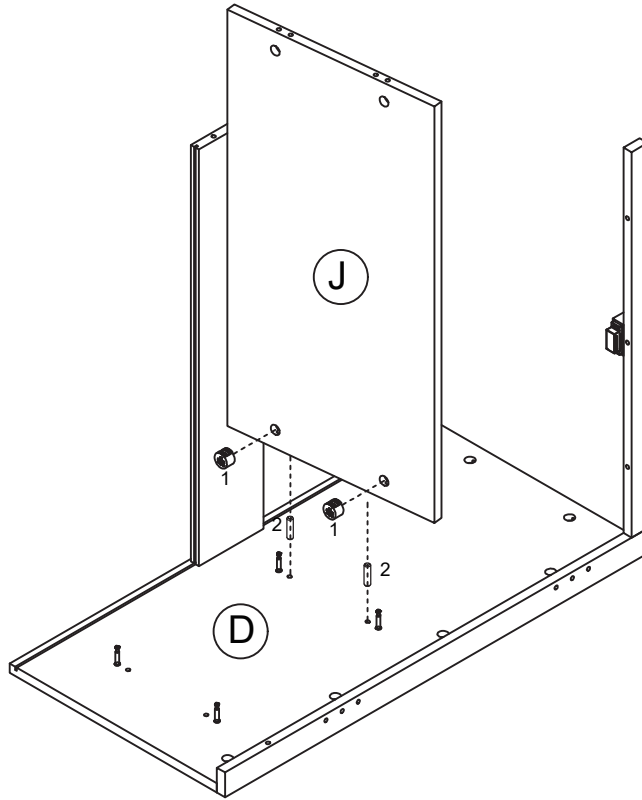
2		X 2
1		X 3



22



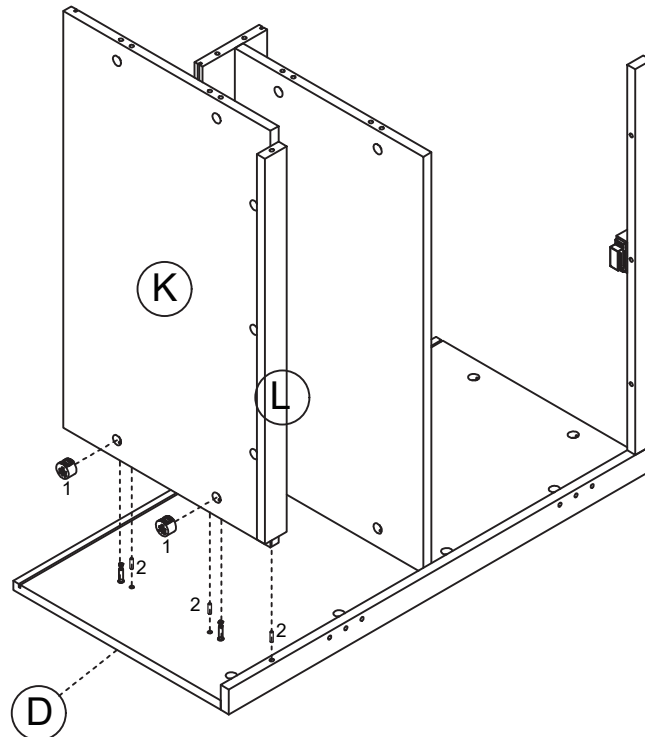
1		X 2
2		X 1


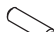
23



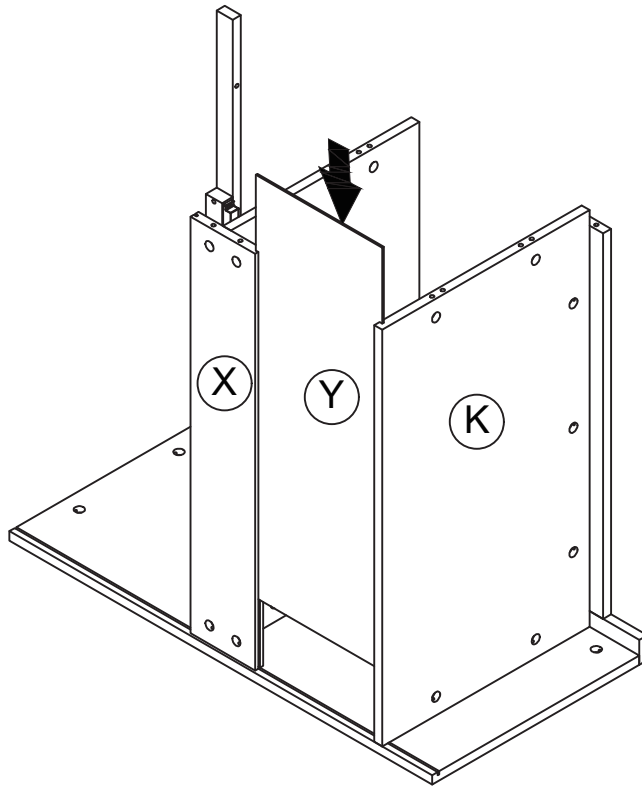
1		X 2
2		X 2

24

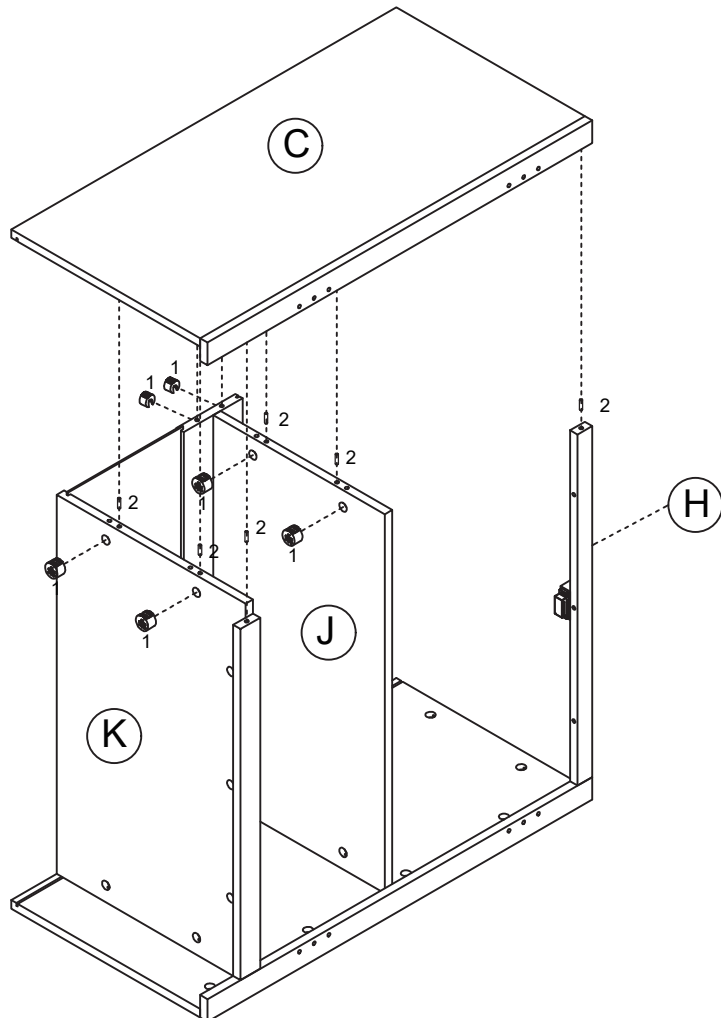




1		X 2
2		X 3

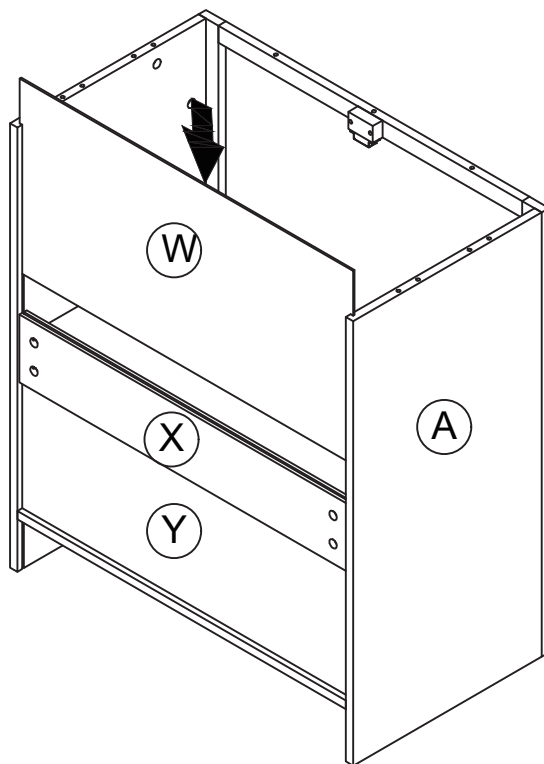
25

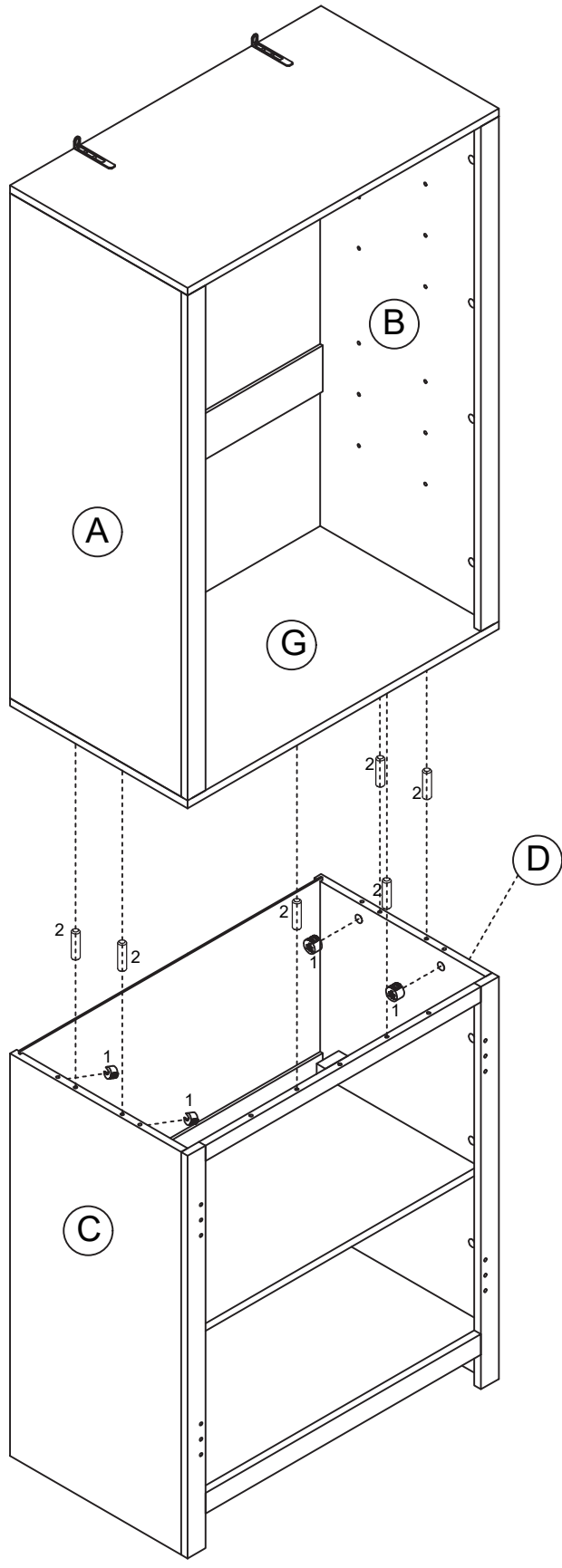




26

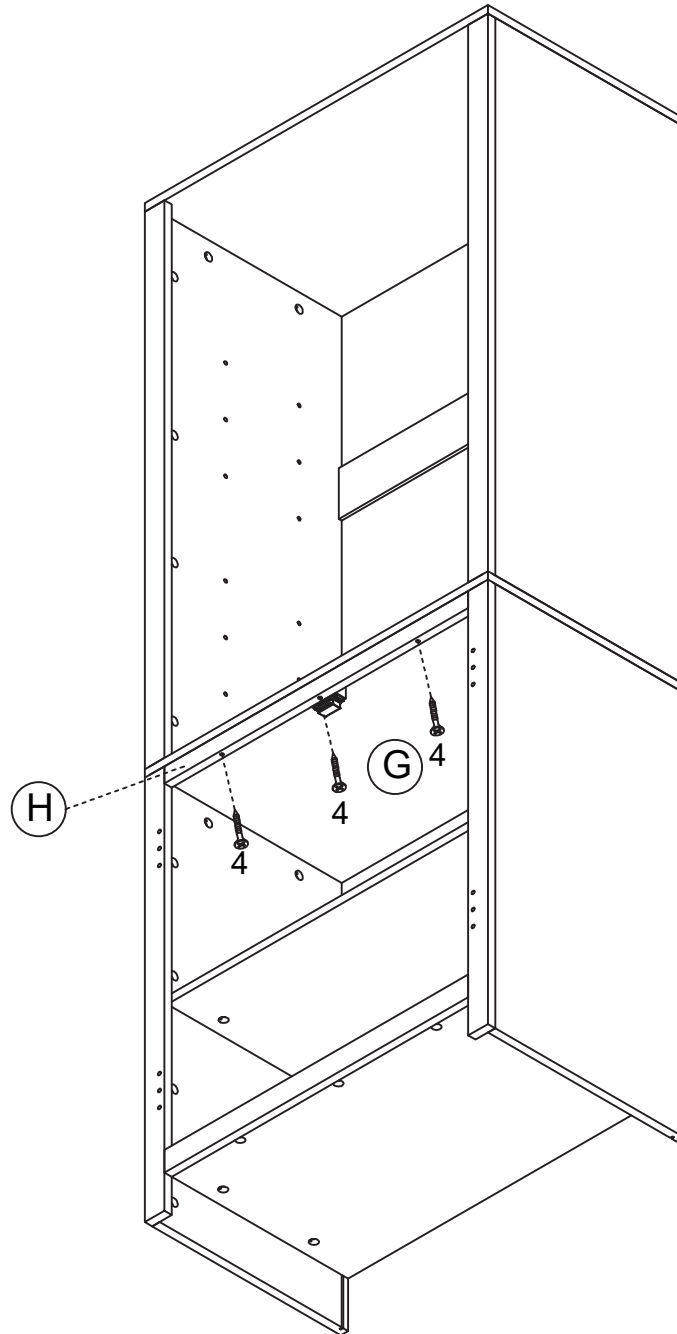


1		X 6
2		X 6



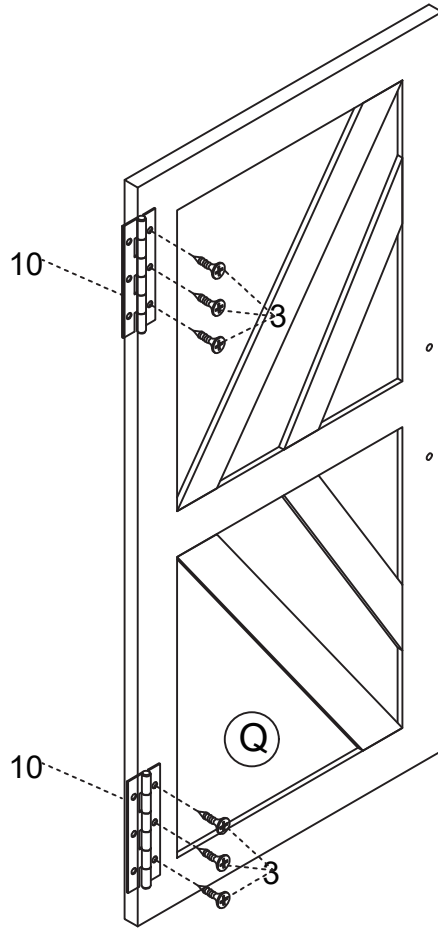




1		X 4
2		X 6



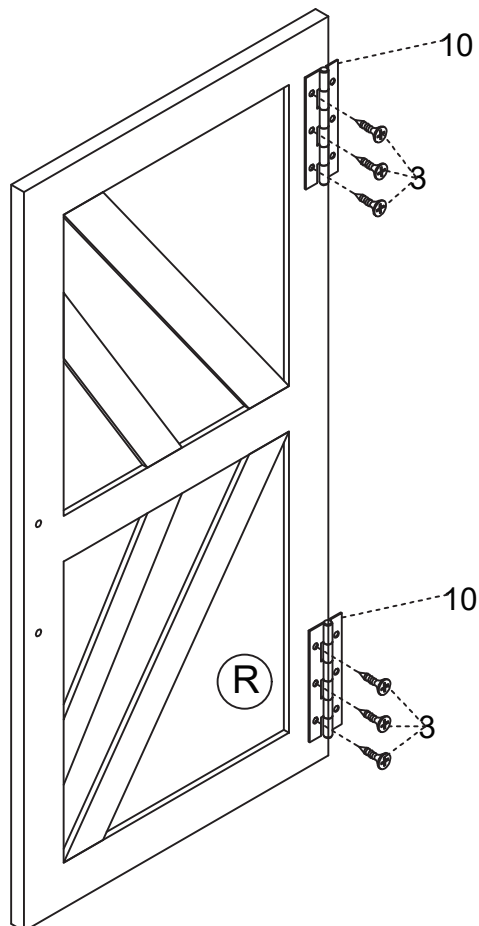
4		X 3
---	---	-----



30



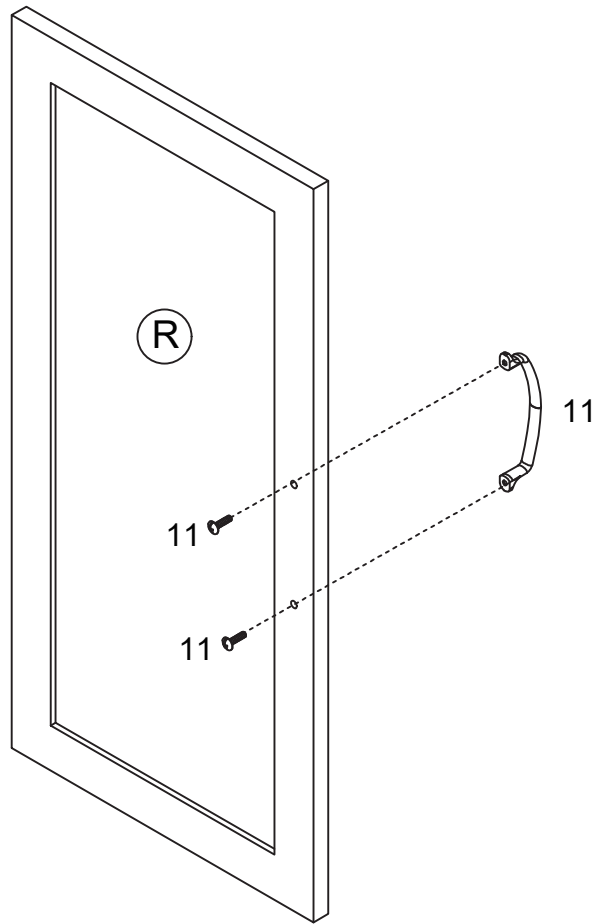
10		X 2
3		X 6

31



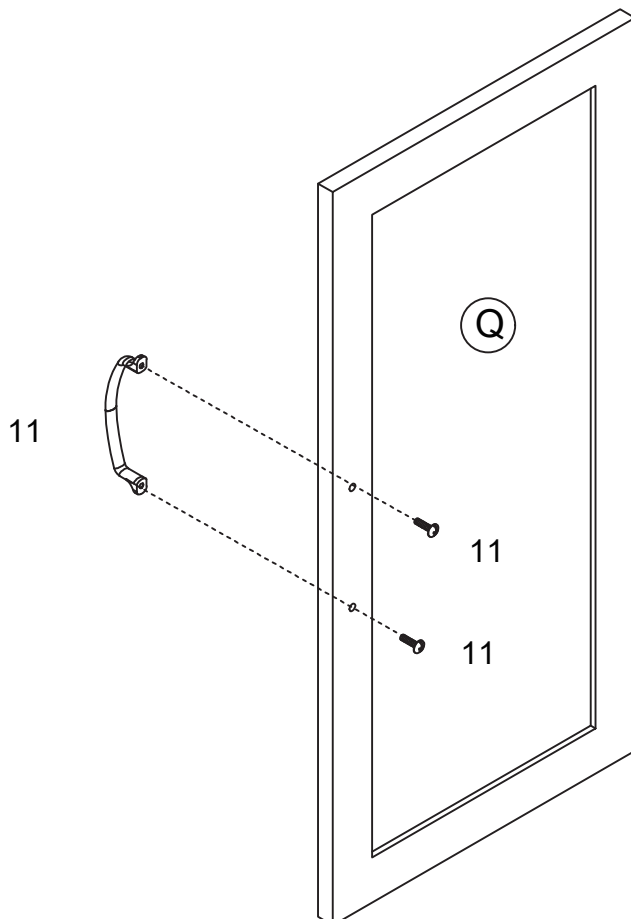
3		X 6
10		X 2

32



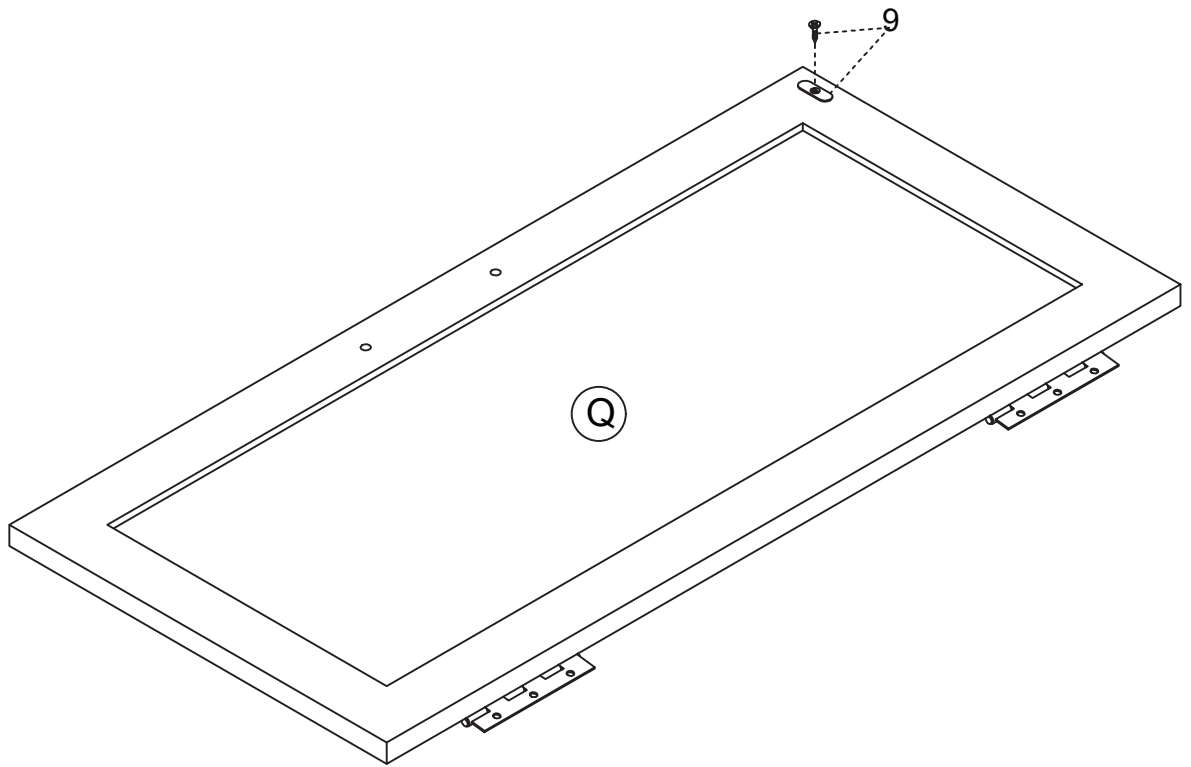
11  X 1

33



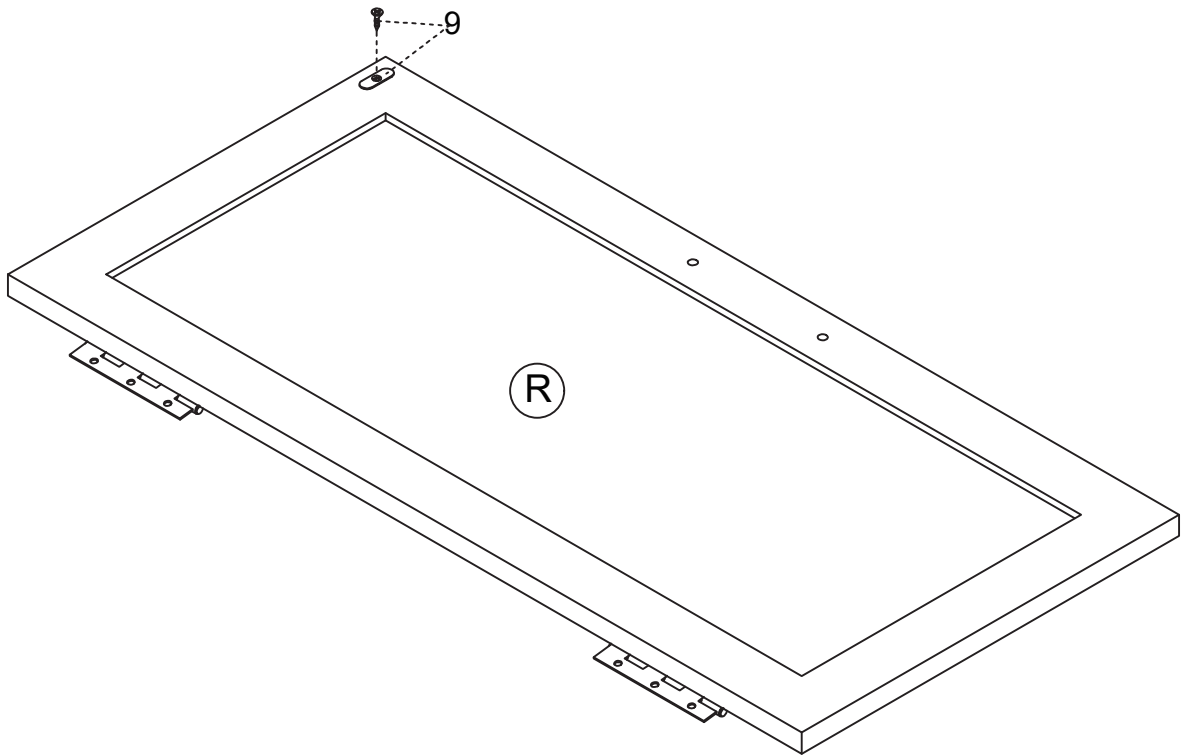
11  X 1

34

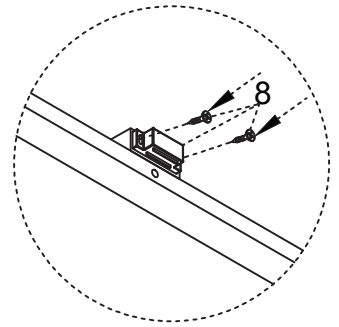
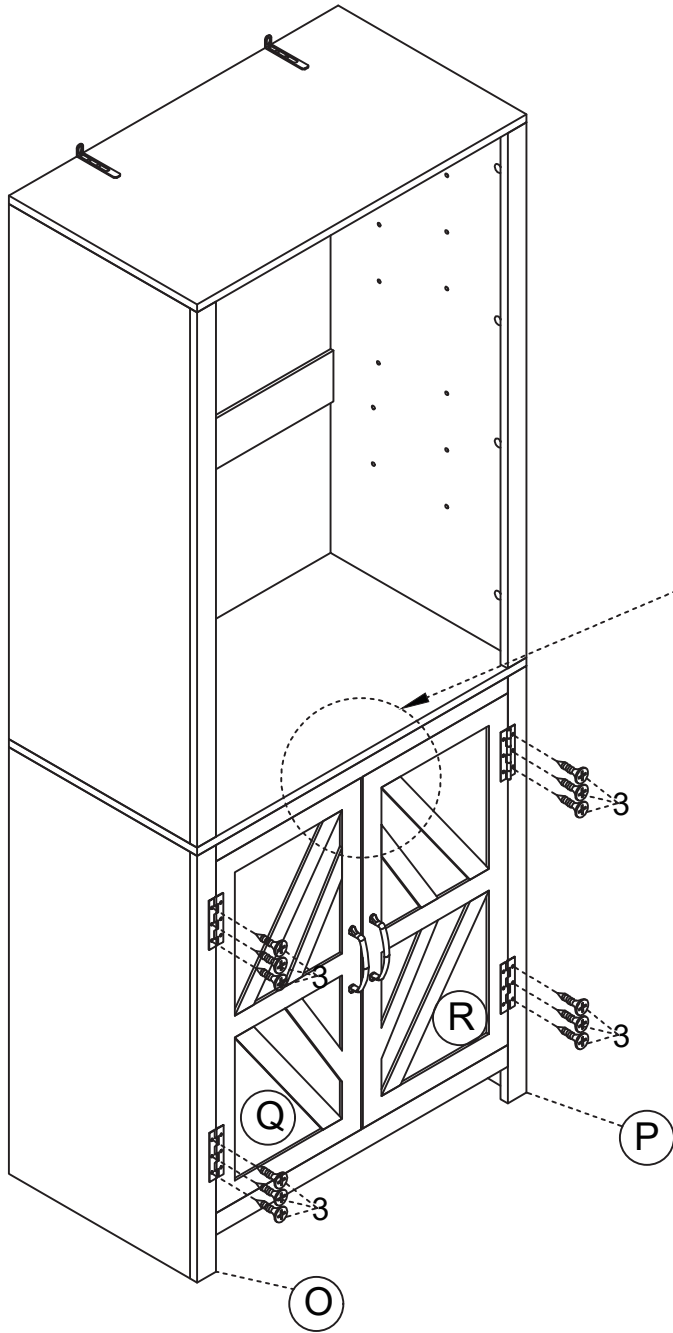


9  X 1

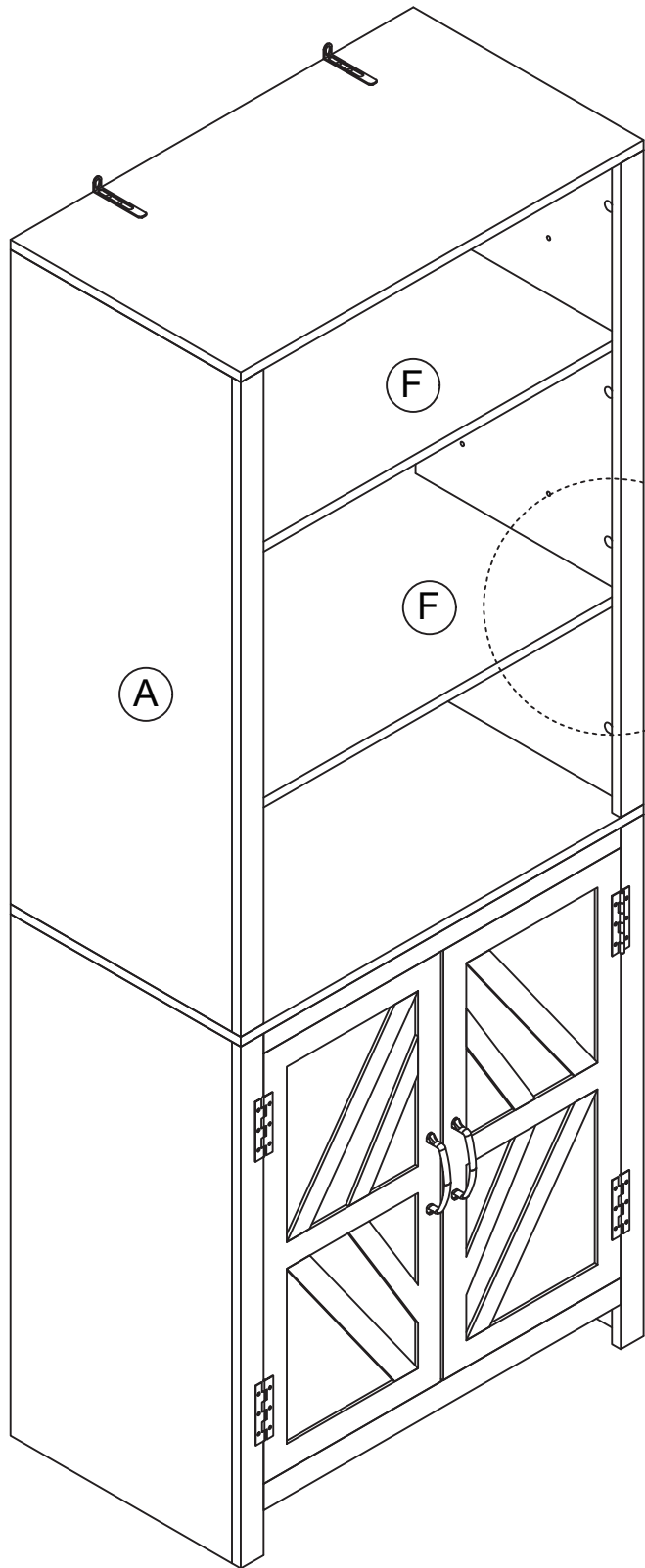
35



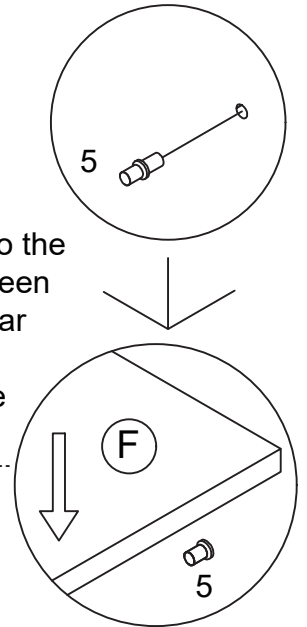
9  X 1




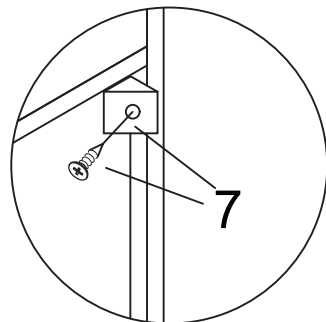
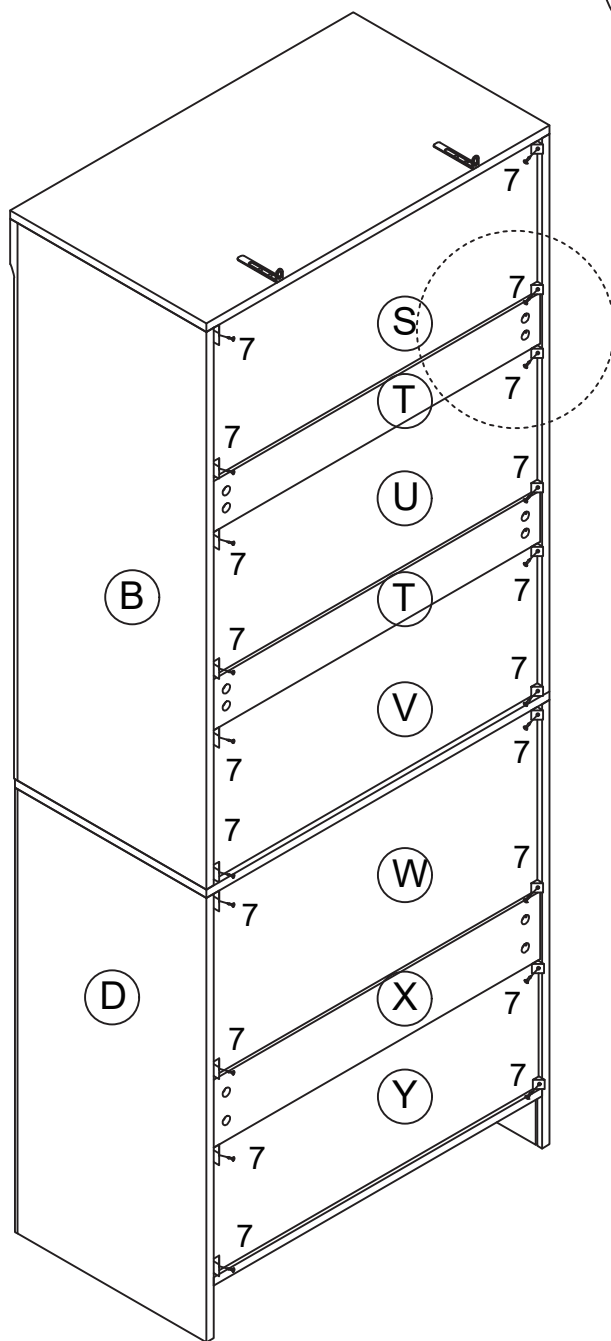
If it is found that the cabinet door is not flush with the edge of the upper board, you can fine-tune the No. 8 accessory screw”



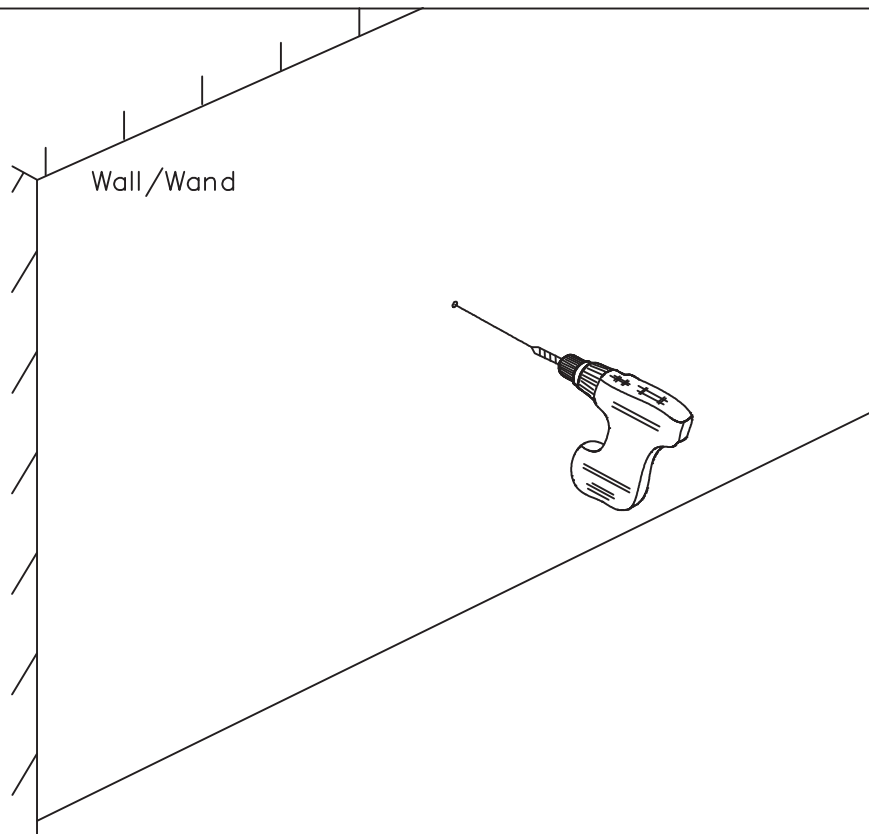
“Pay attention to the difference between the front and rear placement directions of the laminates”



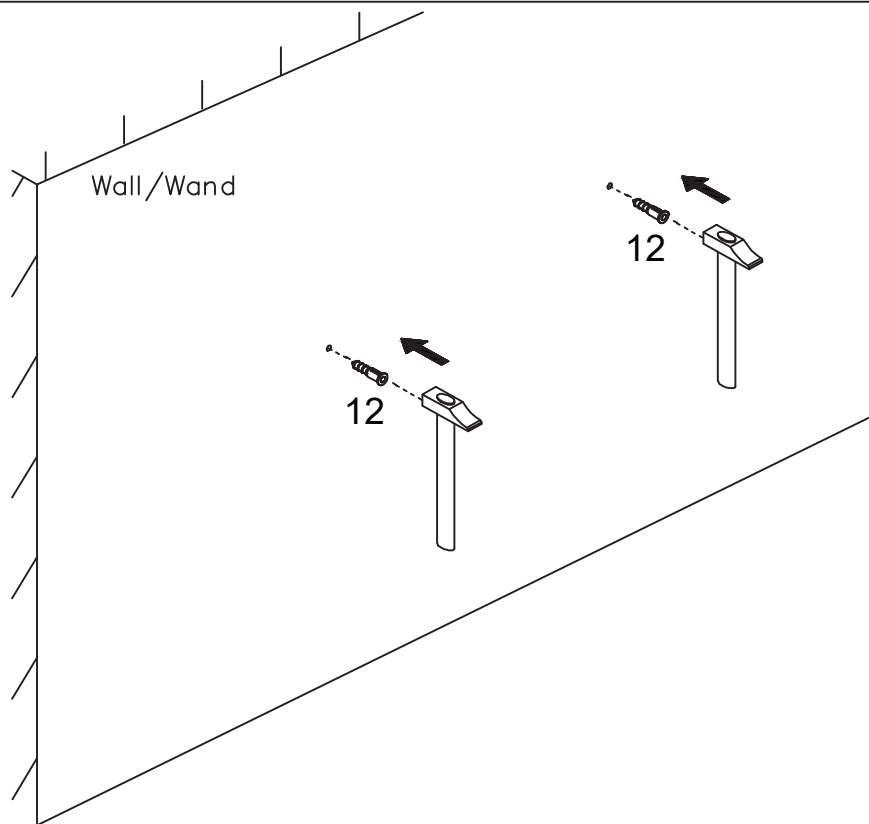
5		X 8
---	---	-----



39

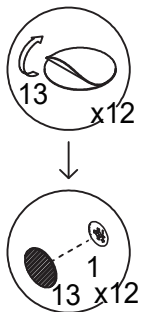
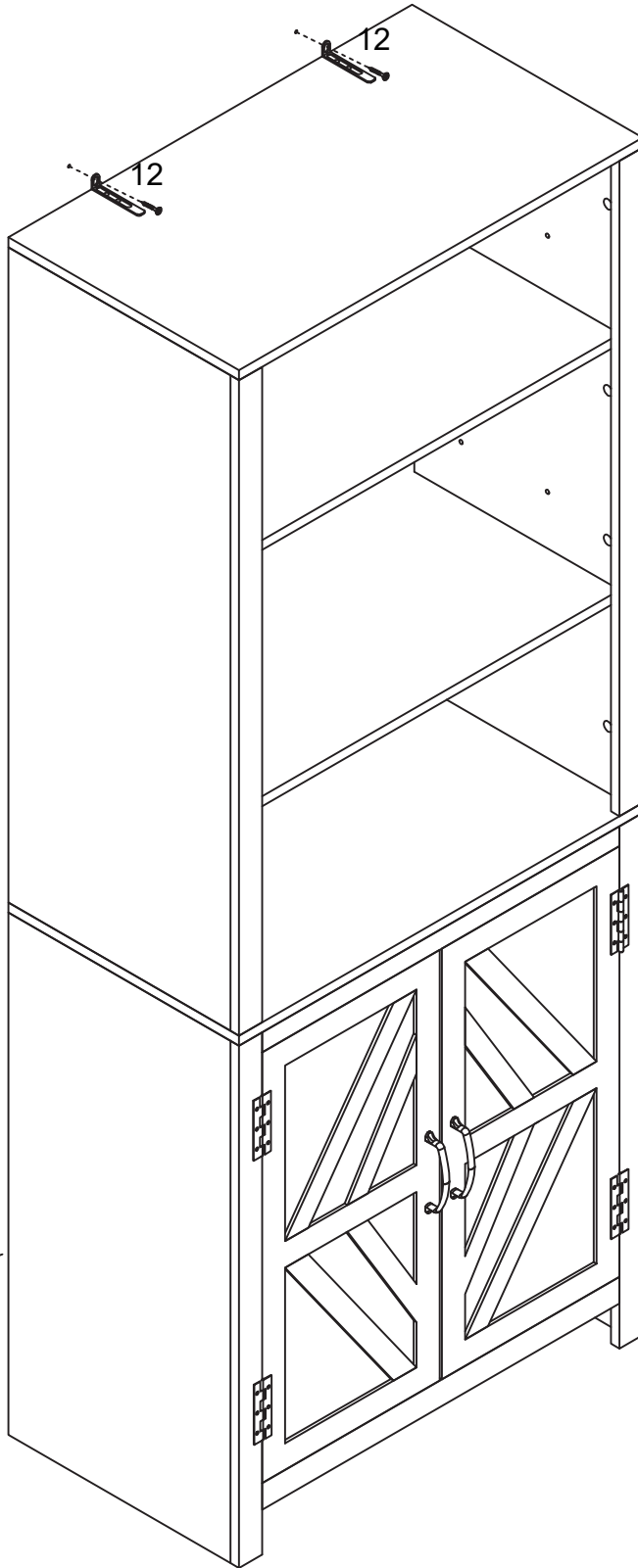




40



12		X 2
----	---	-----

41



13		X 12
12		X 2