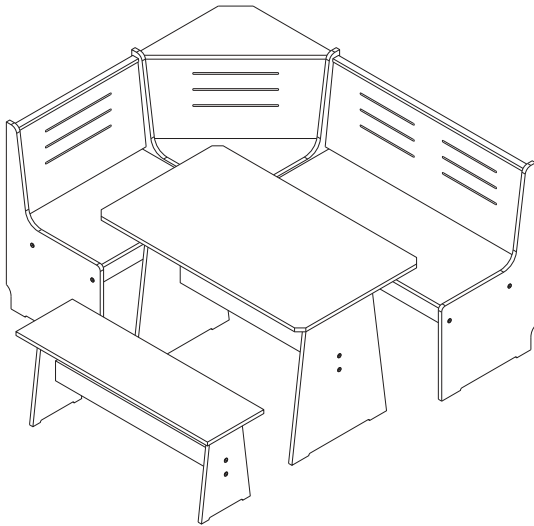


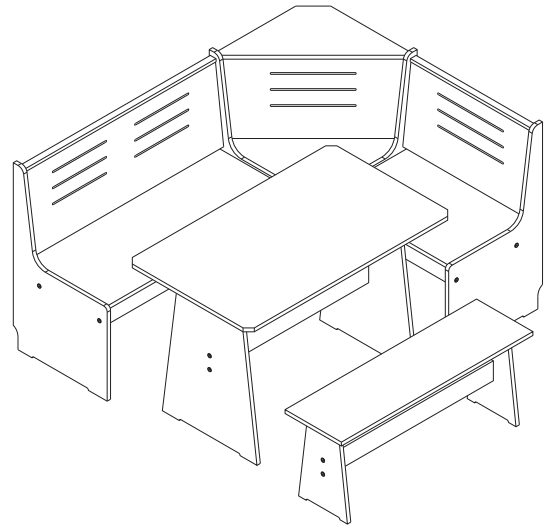
ASSEMBLY INSTRUCTIONS

Chapman Solid Wood Corner Dining Set

Avoid using sharp objects such as a knife to cut open packing as you may accidentally damage the item.



RIGHT SIDE INSTALLATION



LEFT SIDE INSTALLATION

SELECT THE LAYOUT OF THE BENCH

THIS ITEM IS REVERSIBLE AND CAN BE INSTALLED EITHER WITH THE LARGE BENCH AT YOUR LEFT HAND SIDE (LEFT SIDE INSTALLATION) OR WITH THE LARGE BENCH AT YOUR RIGHT HAND SIDE (RIGHT SIDE INSTALLATION).

THIS INSTRUCTION IS MADE FOR RIGHT HAND INSTALLATION.

IF YOU SELECT THE LEFT HAND INSTALLATION THEN YOU HAVE TO SWITCH ALL THE PARTS LOCATED AT RIGHT PART (G, H, L AND O) TO LEFT PART AND THE PARTS LOCATED AT LEFT PART (E, I, M AND P) TO RIGHT PART.

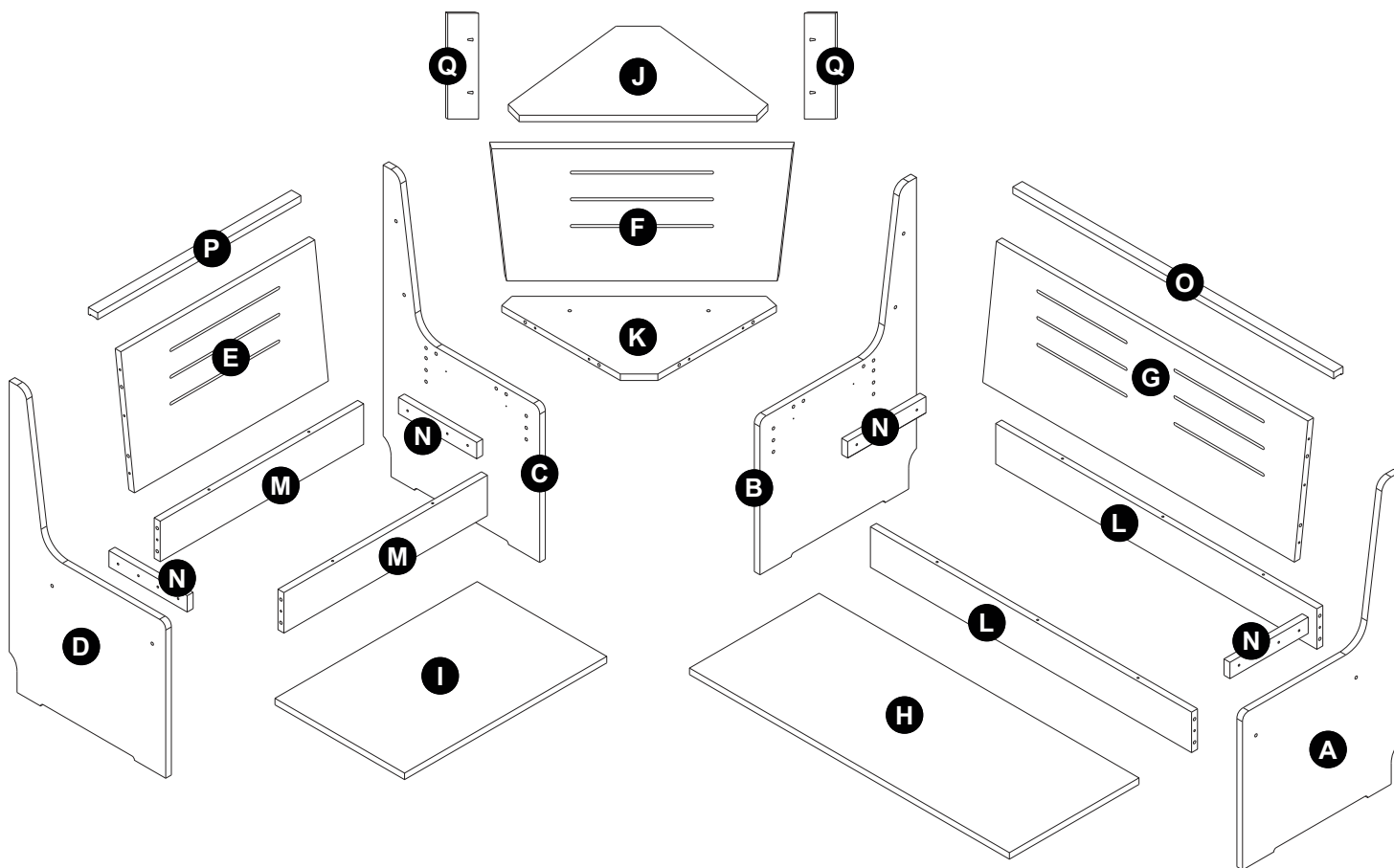
ATTENTION: OUTSIDE LEGS A AND D PLUS CENTRAL PIECES (C, B, F, J, K AND Q) REMAIN UNCHANGED.

NOTE: BEFORE STARTING THE ASSEMBLY PROCESS, ALL PARTS SHOULD BE SEPARATED ACCORDING TO THE ITEM THEY BELONG TO. FOR BETTER IDENTIFICATION OF ALL PARTS, PLEASE USE PART IDENTIFICATION LIST ON PAGE 2-3 FOR THE CORNER BENCH; THE PART IDENTIFICATION LIST ON PAGE 11 FOR THE TABLE; AND ON PAGE 14 FOR THE BENCH.

ASSEMBLY INSTRUCTIONS

Chapman Solid Wood Corner Dining Set

Avoid using sharp objects such as a knife to cut open packing as you may accidentally damage the item.







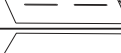


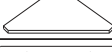
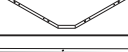
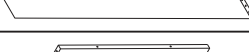

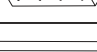
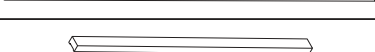
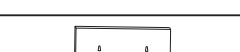




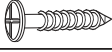
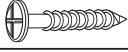
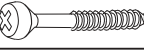
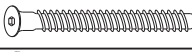
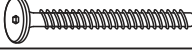

RIGHT SIDE INSTALLATION CORNER BENCH

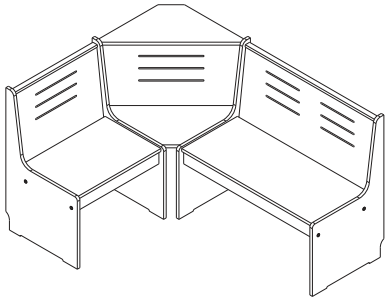
ASSEMBLY INSTRUCTIONS

Chapman Solid Wood Corner Dining Set

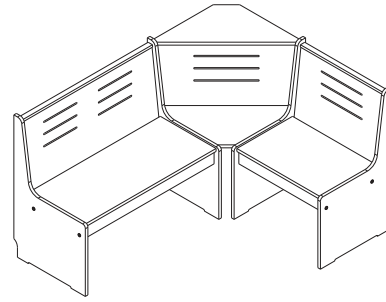
Avoid using sharp objects such as a knife to cut open packing as you may accidentally damage the item.

PARTS LIST			
ITEM	DESCRIPTION	SKETCH	QUANTITY
A	Right side leg		1x
B	Center leg right side		1x
C	Center leg left side		1x
D	Left side leg		1x
E	Narrow back rest panel		1x
F	Corner back rest panel		1x
G	Wide back rest panel		1x
H	Wide seat		1x
I	Narrow seat		1x
J	Corner top		1x
K	Corner seat		1x
L	Wide cross rail		2x
M	Narrow cross rail		2x
N	Cleats support		4x
O	Wide top rail		1x
P	Narrow top rail		1x
Q	Back supports		2x

HARDWARE LIST			
ITEM	DESCRIPTION	SKETCH	QUANTITY
HW1	Dowel : 8x30mm		32x
HW3	Screw : 4,0x25mm		6x
HW4	Screw : 4,0x30mm		23x
HW5	Screw : 4,0x35mm		34x
HW6	Screw : 7,0x50mm		4x
HW7	Screw : 7,0x50mm		8x
HW8	Allen Key		1x



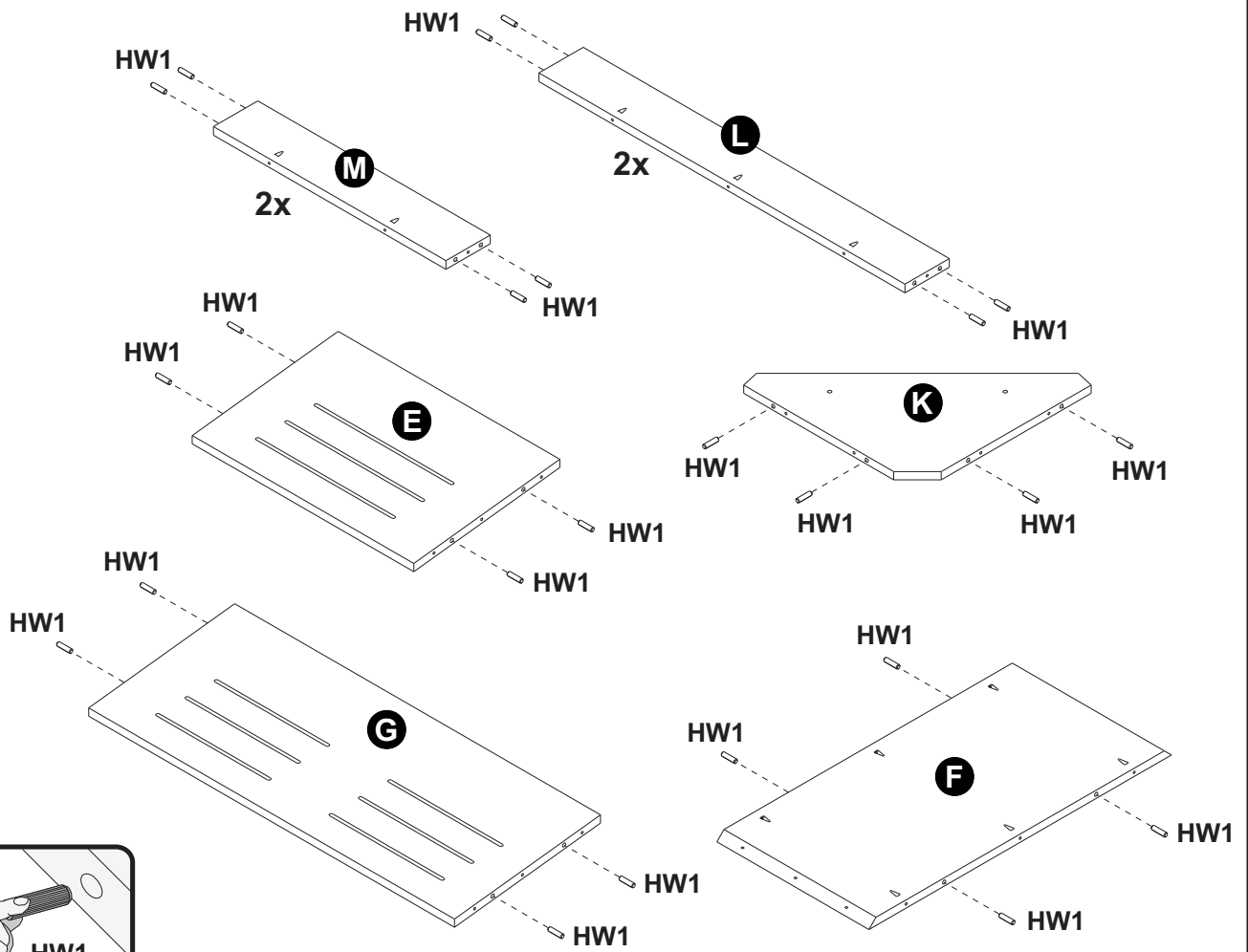
RIGHT SIDE INSTALLATION



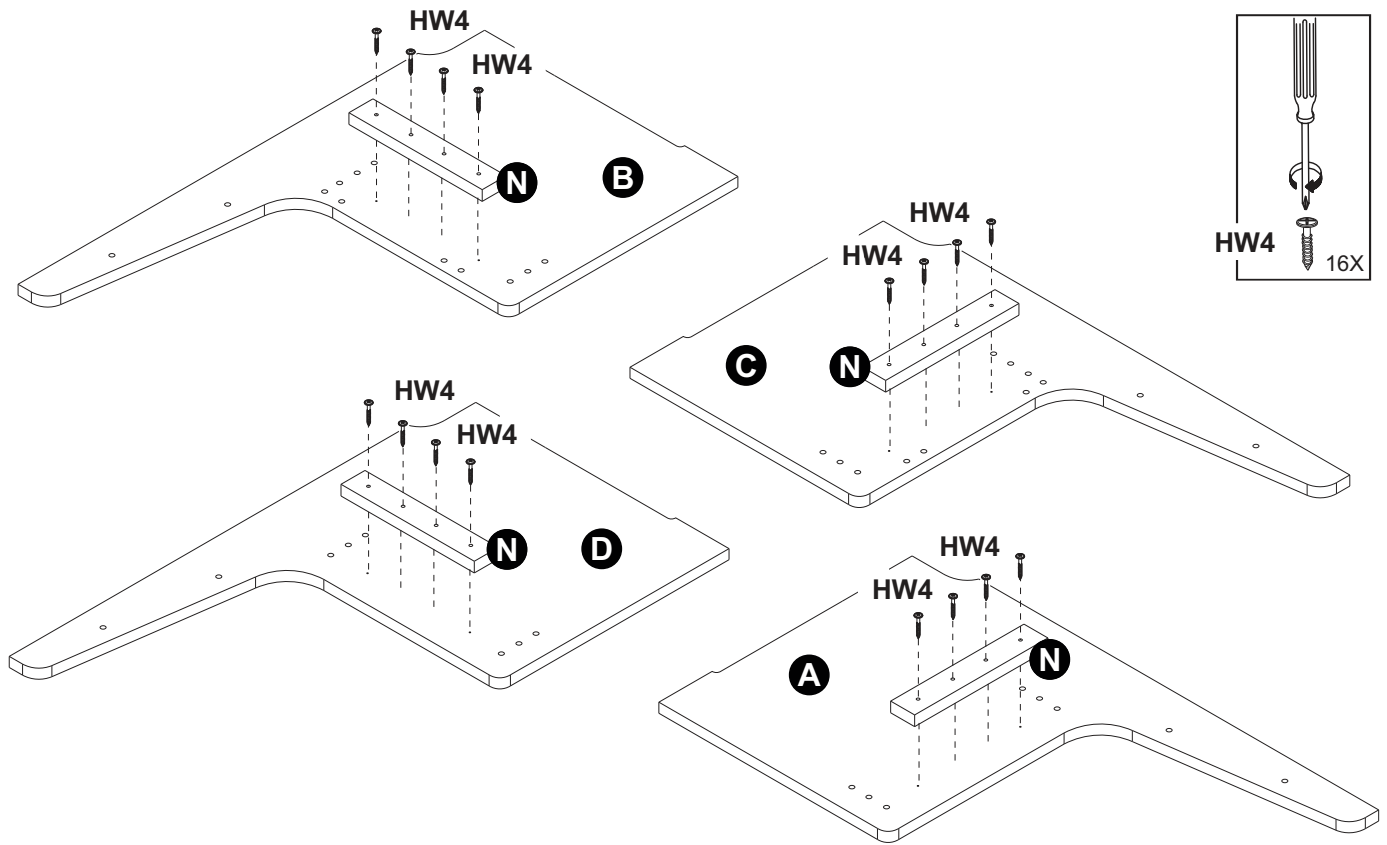
LEFT SIDE INSTALLATION

Do not fully tighten bolts until assembly is complete.

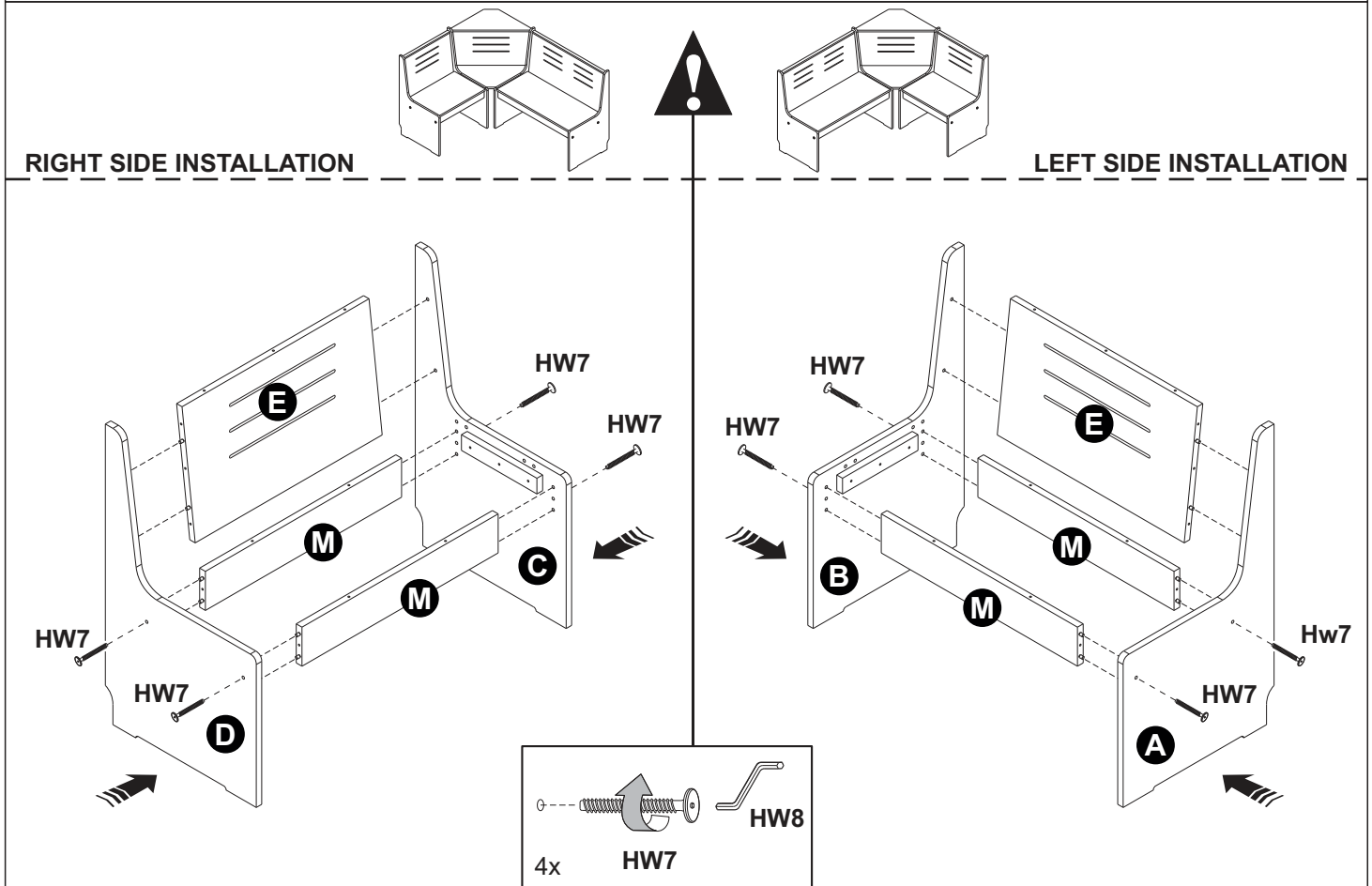
STEP 1: Insert dowels into the indicated parts.



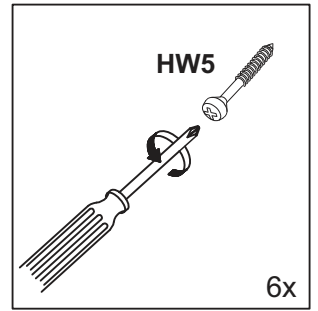
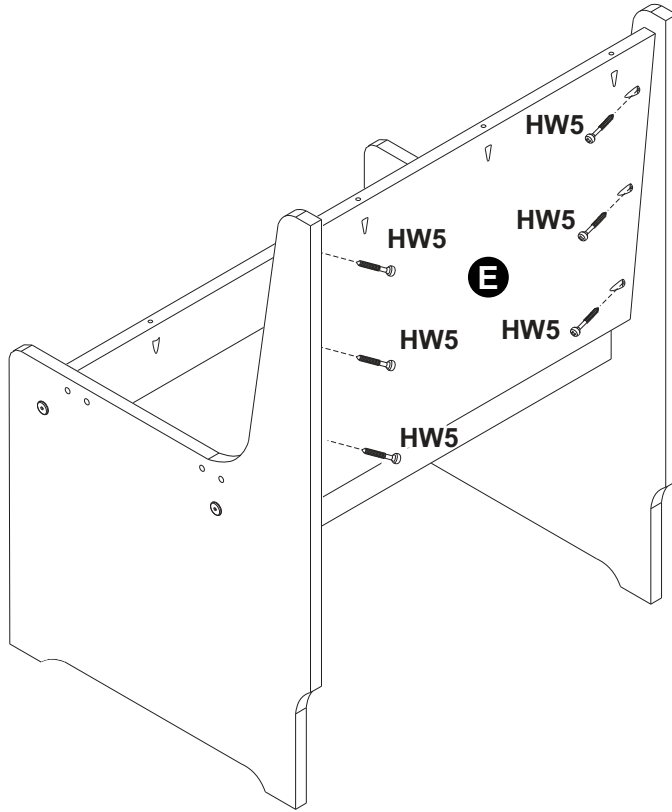
STEP 2: Attach cleats support by inserting screws in the pre-marked positions.



STEP 3: Attach the sides to the back panel and cross rails using screws.



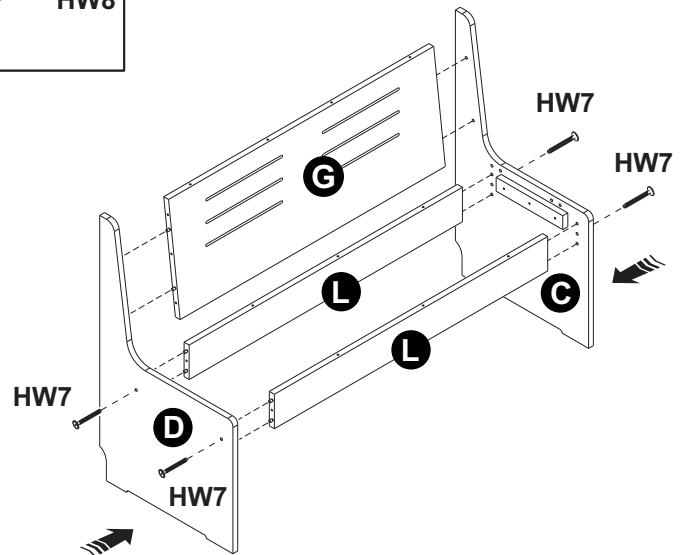
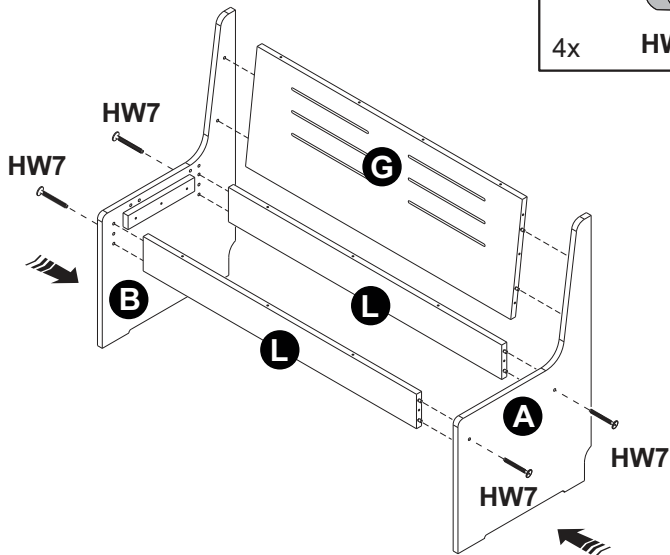
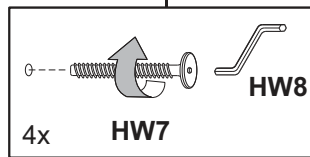
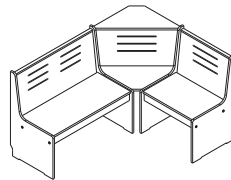
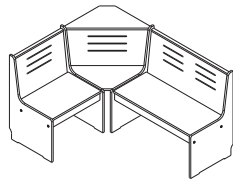
STEP 4: Attach the backrest.



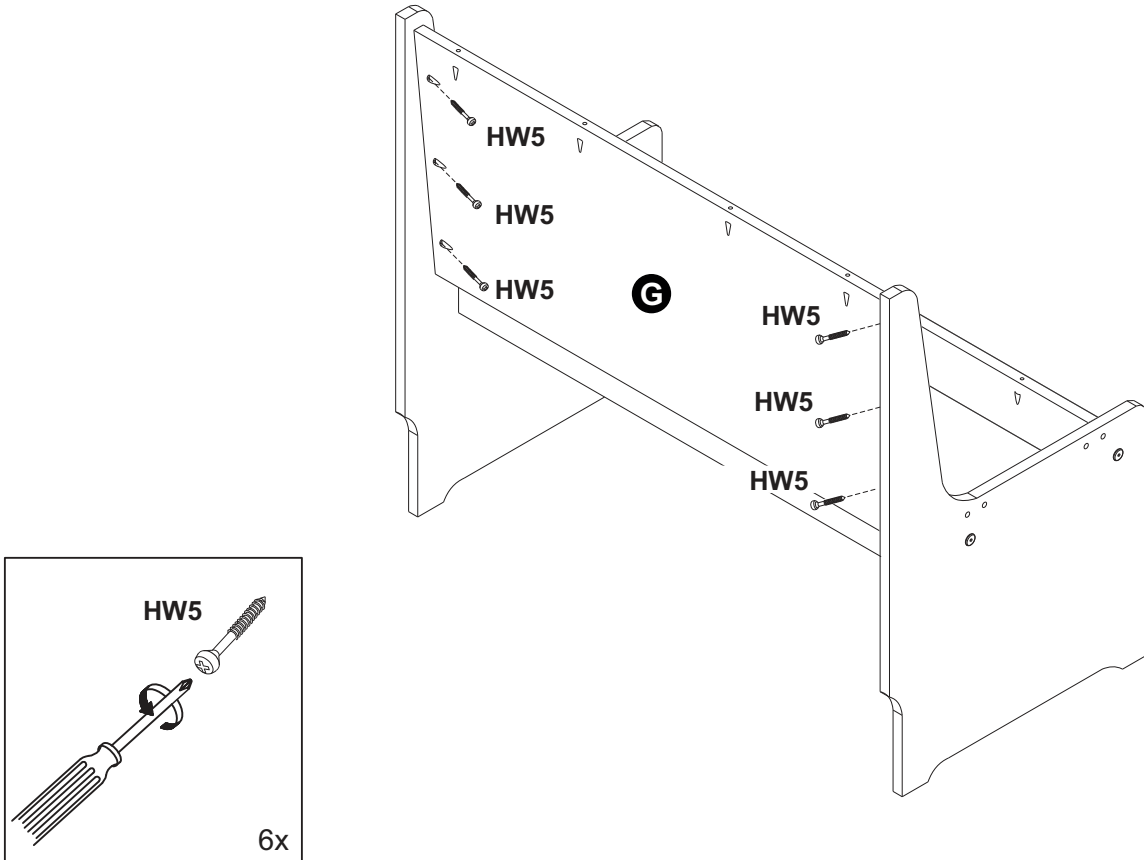
STEP 5: Attach the sides to the back panel and cross rails using screws.

RIGHT SIDE INSTALLATION

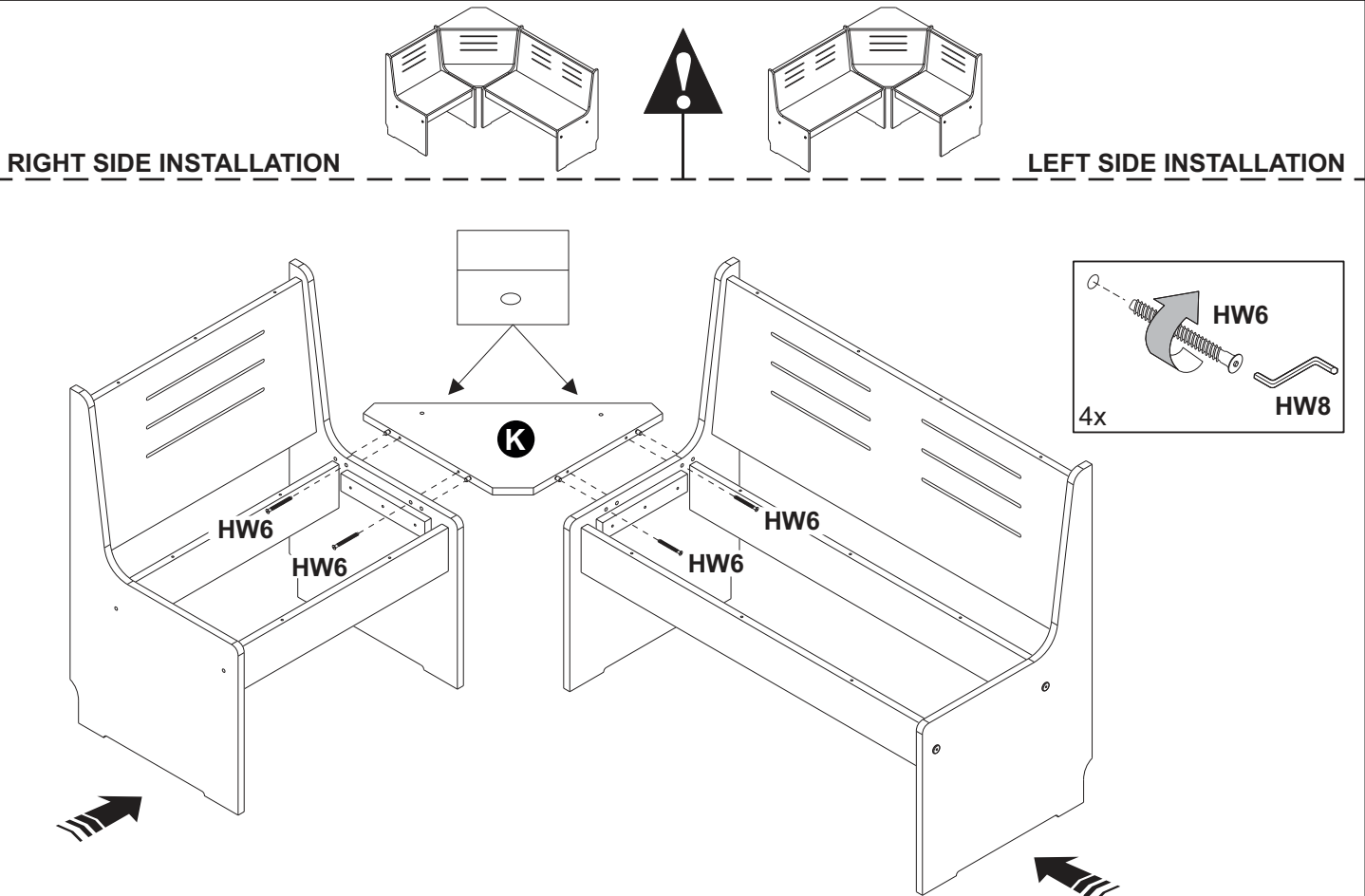
LEFT SIDE INSTALLATION



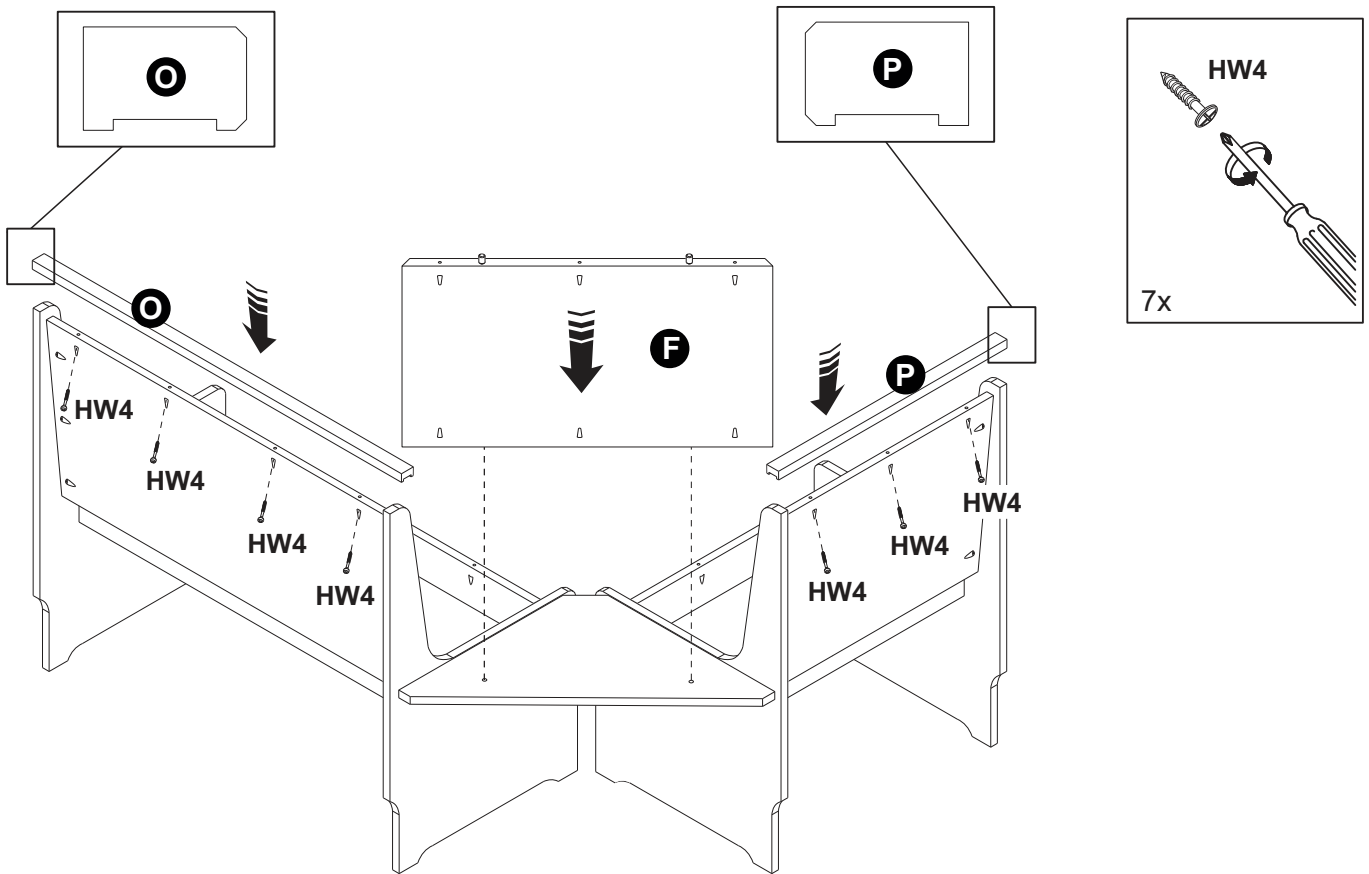
STEP 6: Attach the backrest.



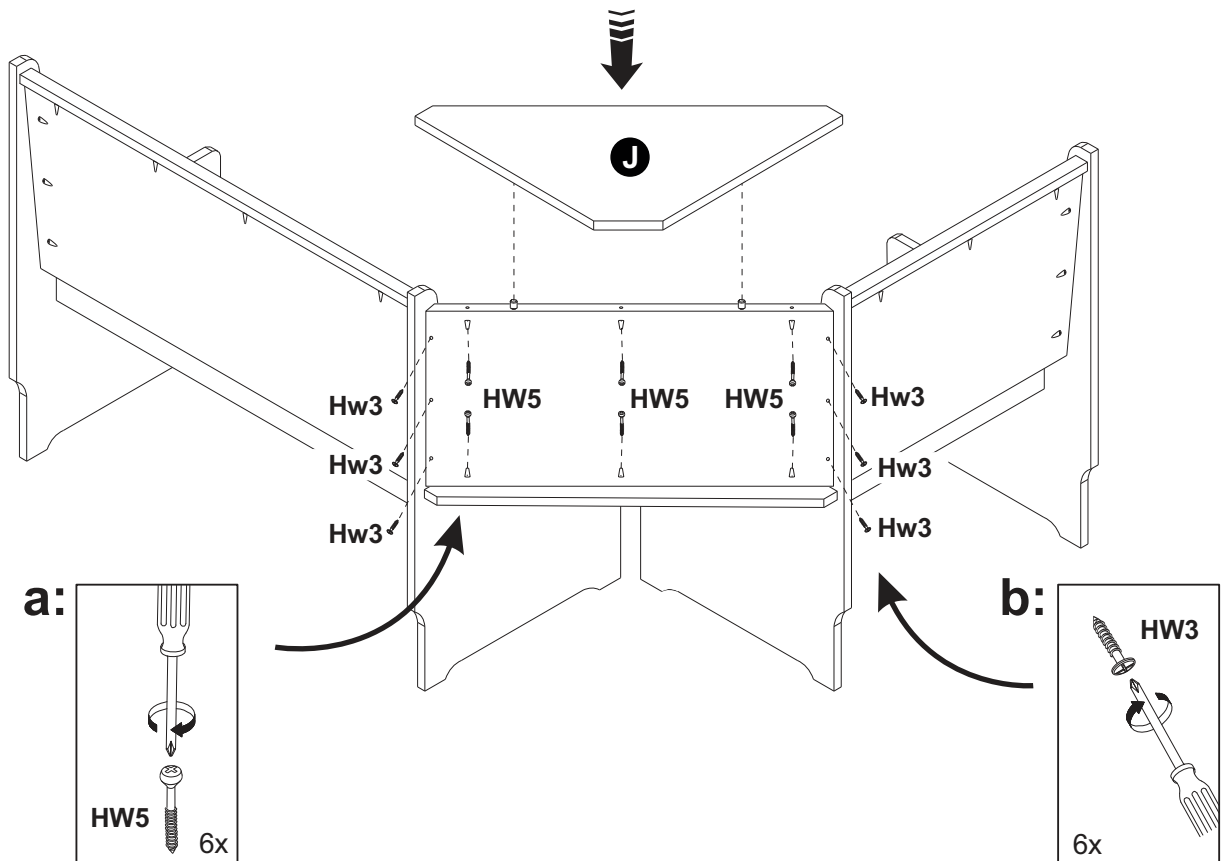
STEP 7: Attach the corner seat using screws.



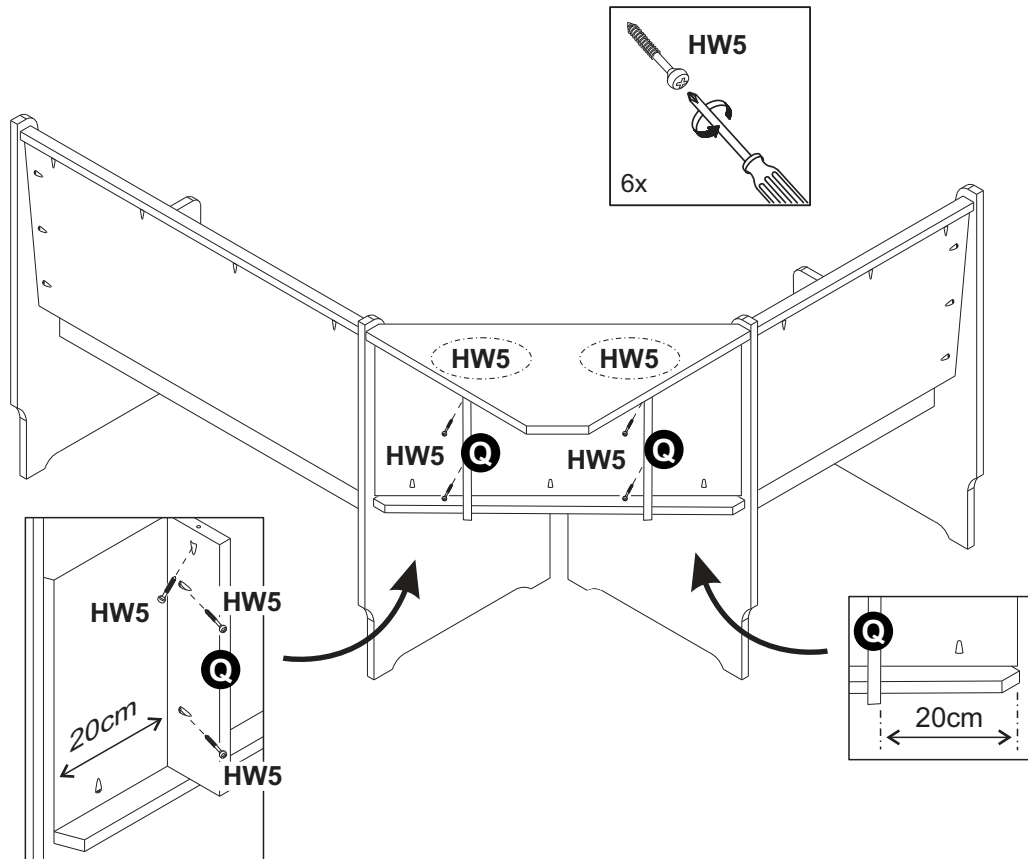
STEP 8: Attach the top rails and put the corner backrest on using screws.



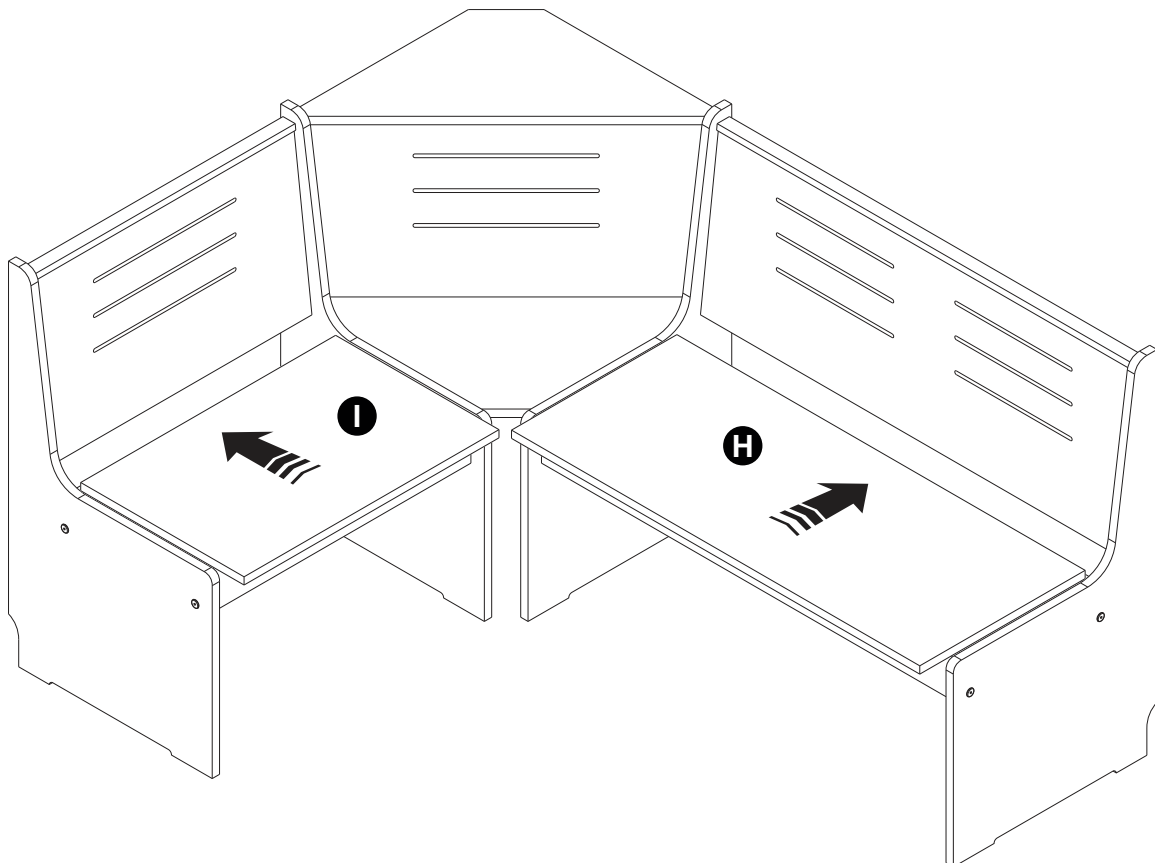
STEP 9: Attach the corner top and corner seat using the screws.



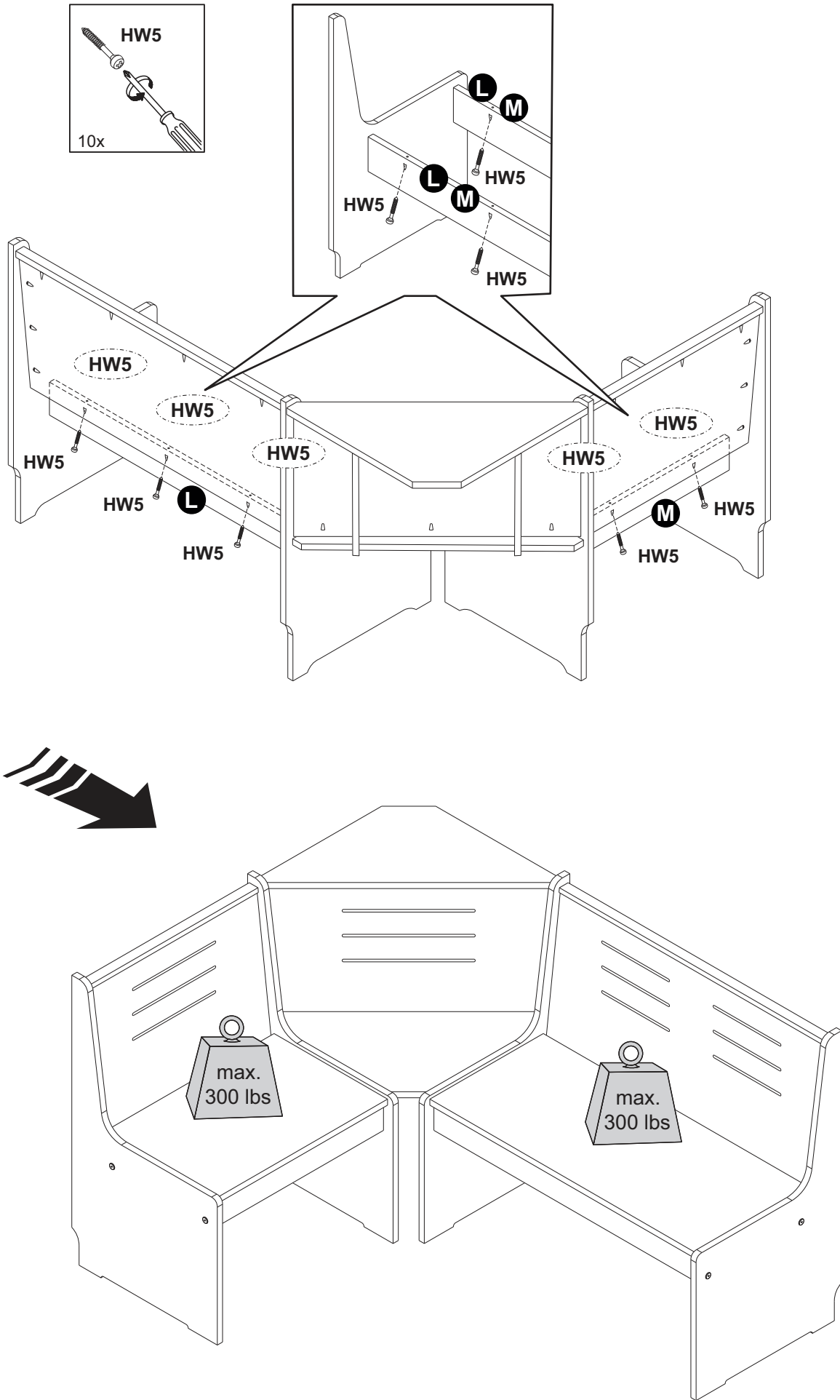
STEP 10: Attach the back supports.



STEP 11: Insert the seats into the corner bench.



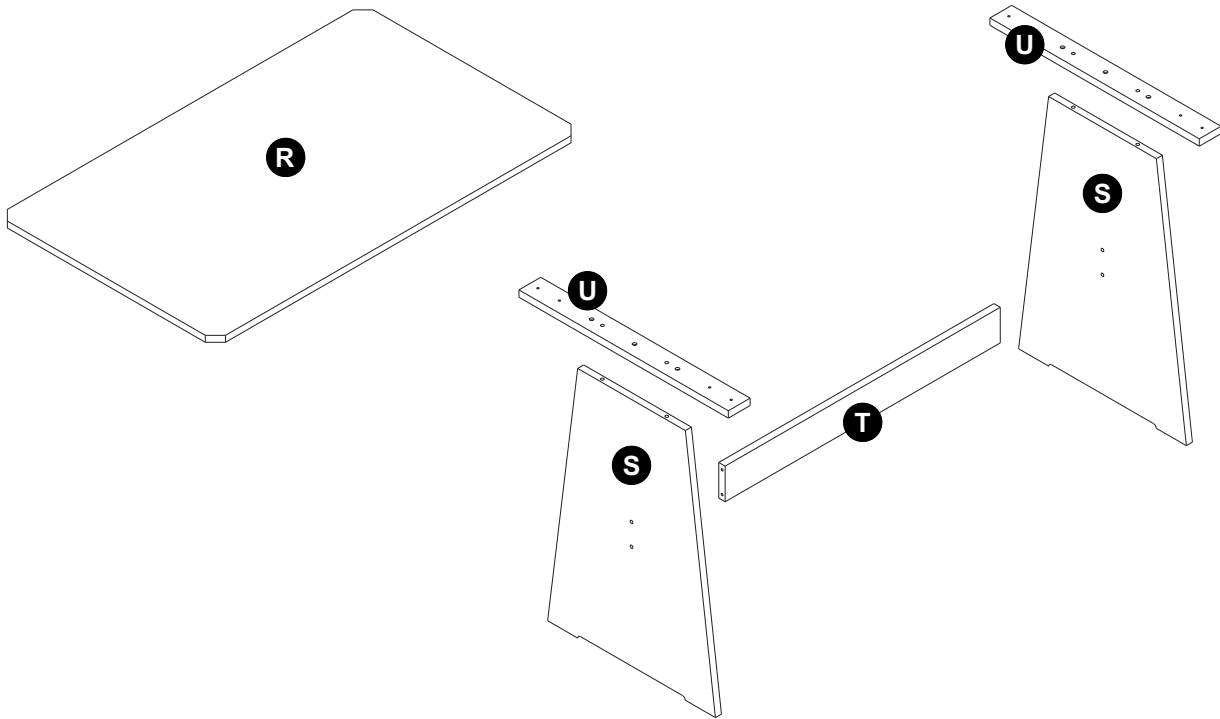
STEP 12: Attach the seats using screws.




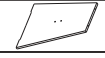

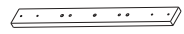
ASSEMBLY INSTRUCTIONS


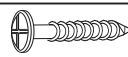
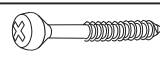
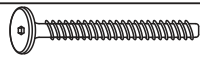
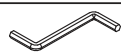
Chapman Solid Wood Corner Dining Set

Avoid using sharp objects such as a knife to cut open packing as you may accidentally damage the item.

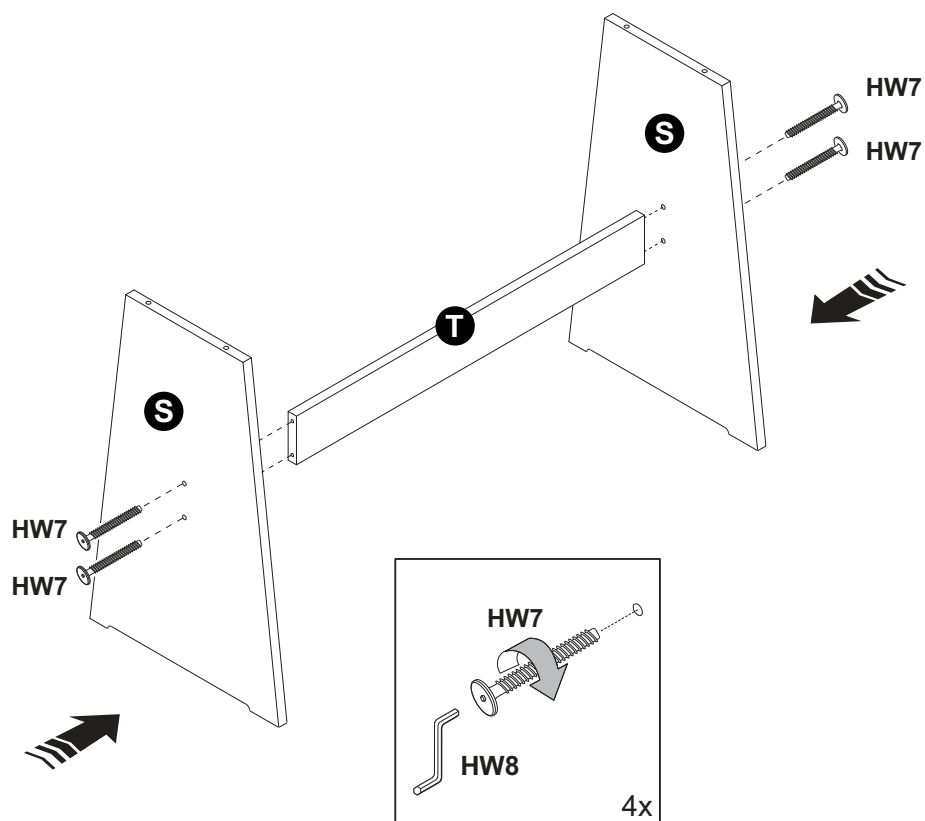


TABLE

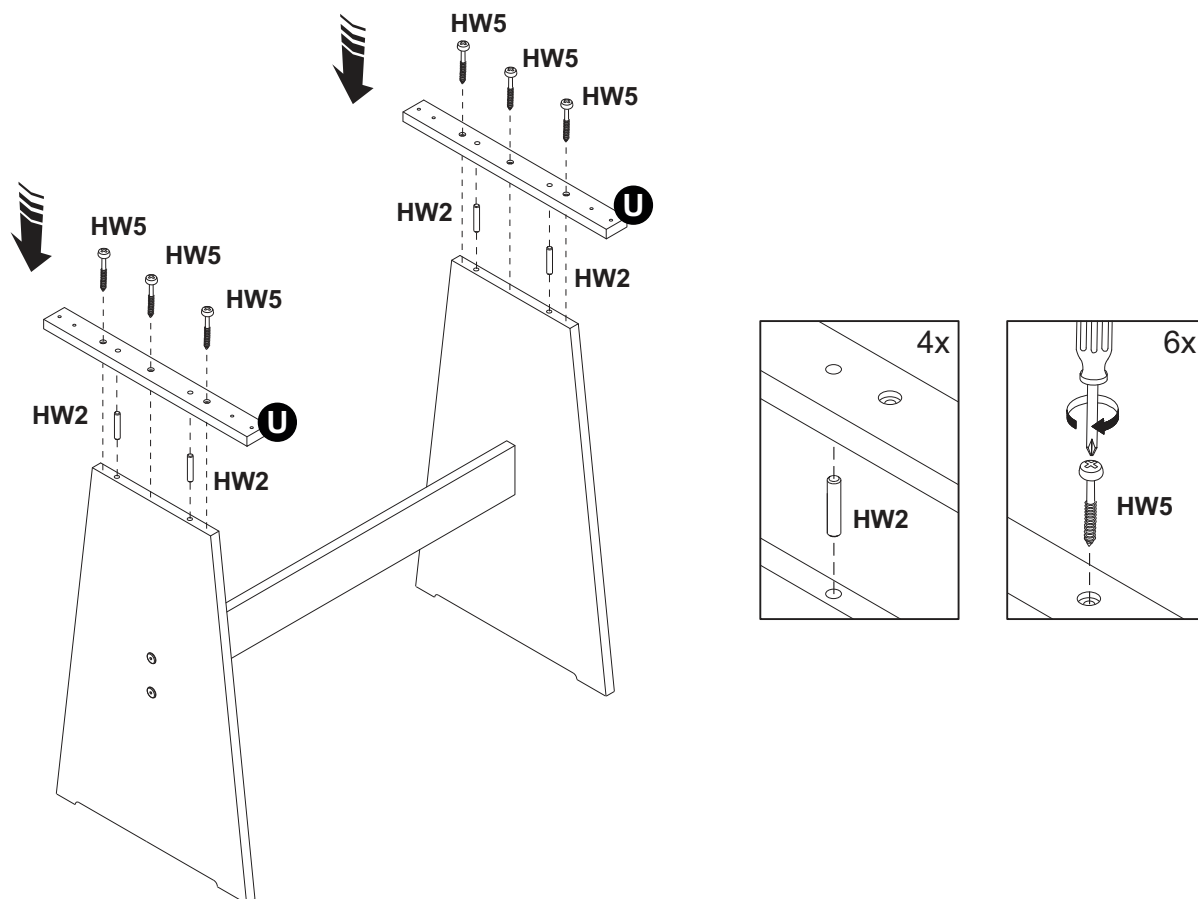
PARTS LIST			
ITEM	DESCRIPTION	SKETCH	QUANTITY
R	Table top		1x
S	Table legs		2x
T	Table Crossbar		1x
U	Table top supports		2x

HARDWARE LIST			
ITEM	DESCRIPTION	SKETCH	QUANTITY
HW2	Dowel : 8x50mm		4x
HW4	Screw : 4,0x30mm		8x
HW5	Screw : 4,0x35mm		6x
HW7	Screw : 7,0x50mm		4x
HW8	Allen Key		1x

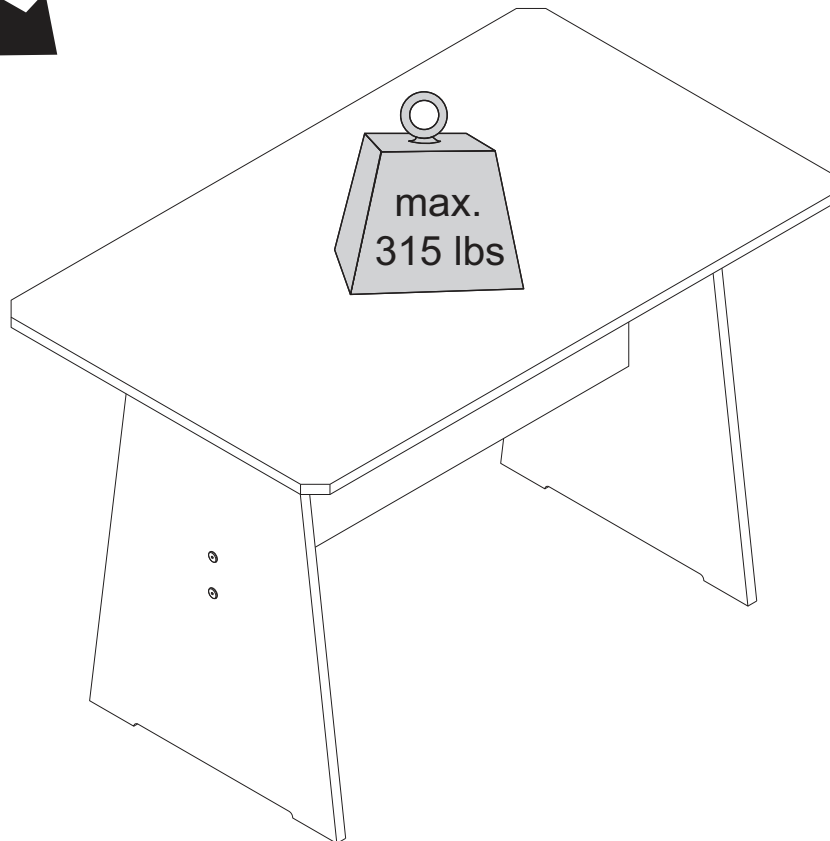
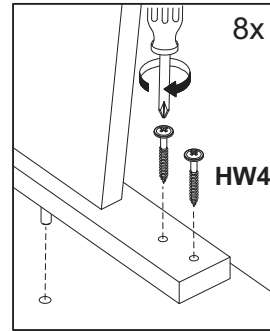
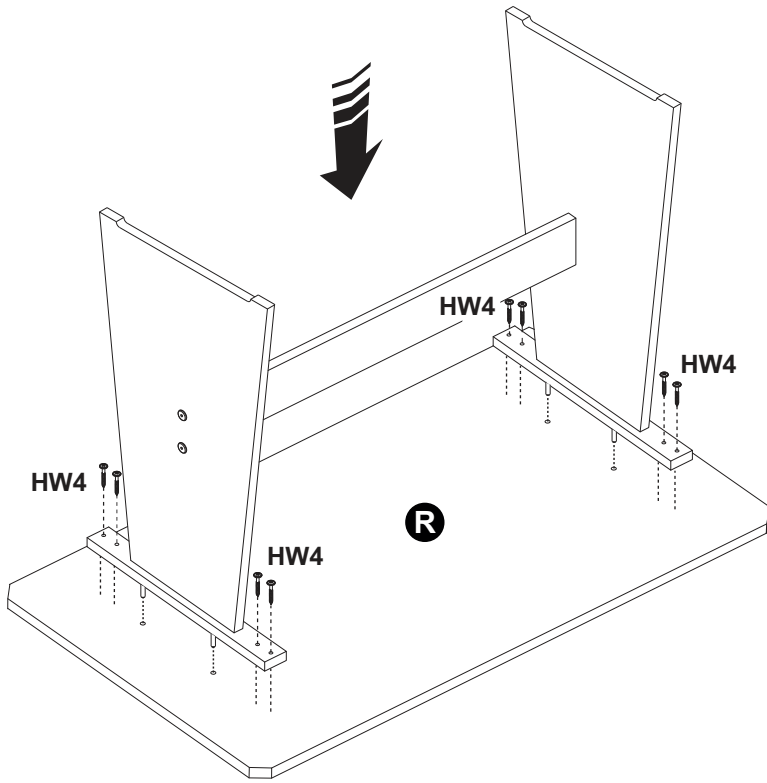
STEP 1: Attach the table legs to the table crossbar.



STEP 2: Attach the table top supports using screw.



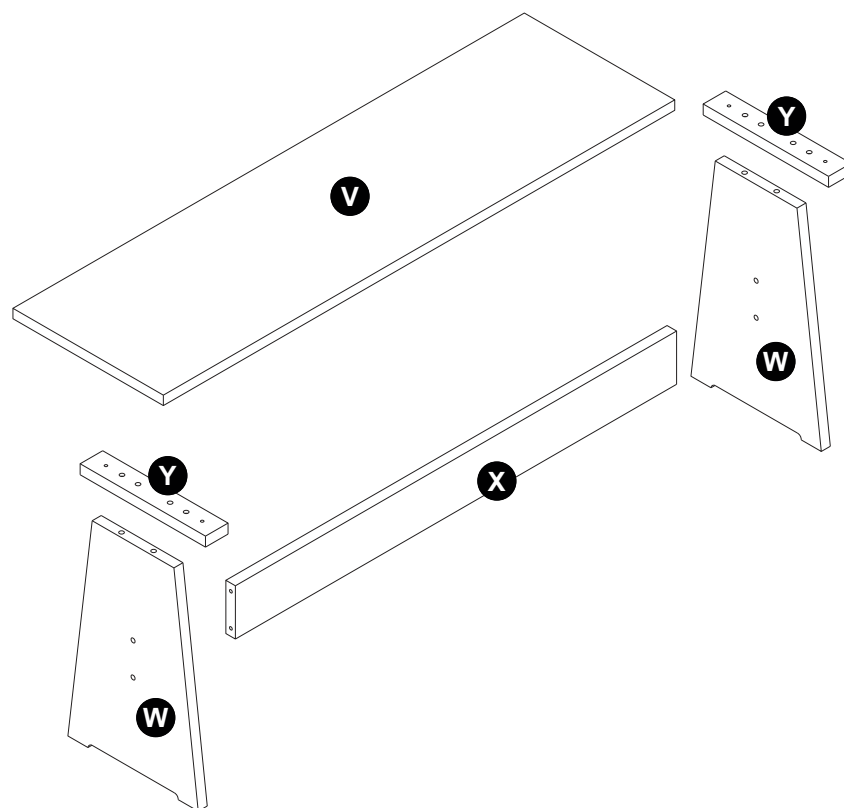
STEP 3: Attach the table top using screws.



ASSEMBLY INSTRUCTIONS

Chapman Solid Wood Corner Dining Set

Avoid using sharp objects such as a knife to cut open packing as you may accidentally damage the item.

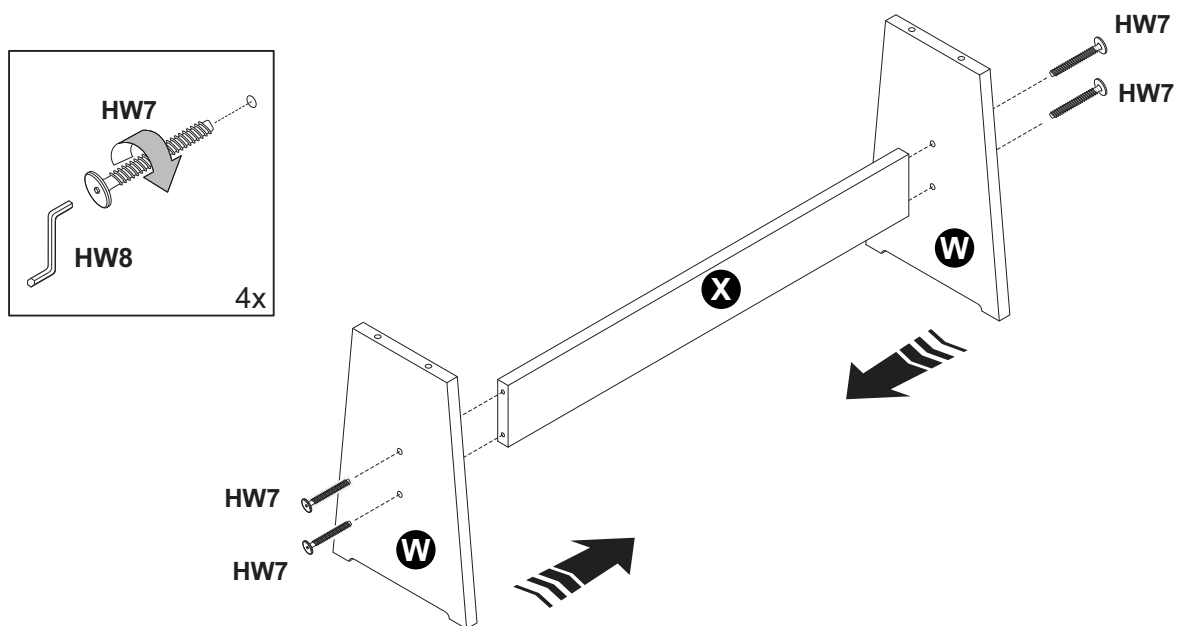


BENCH

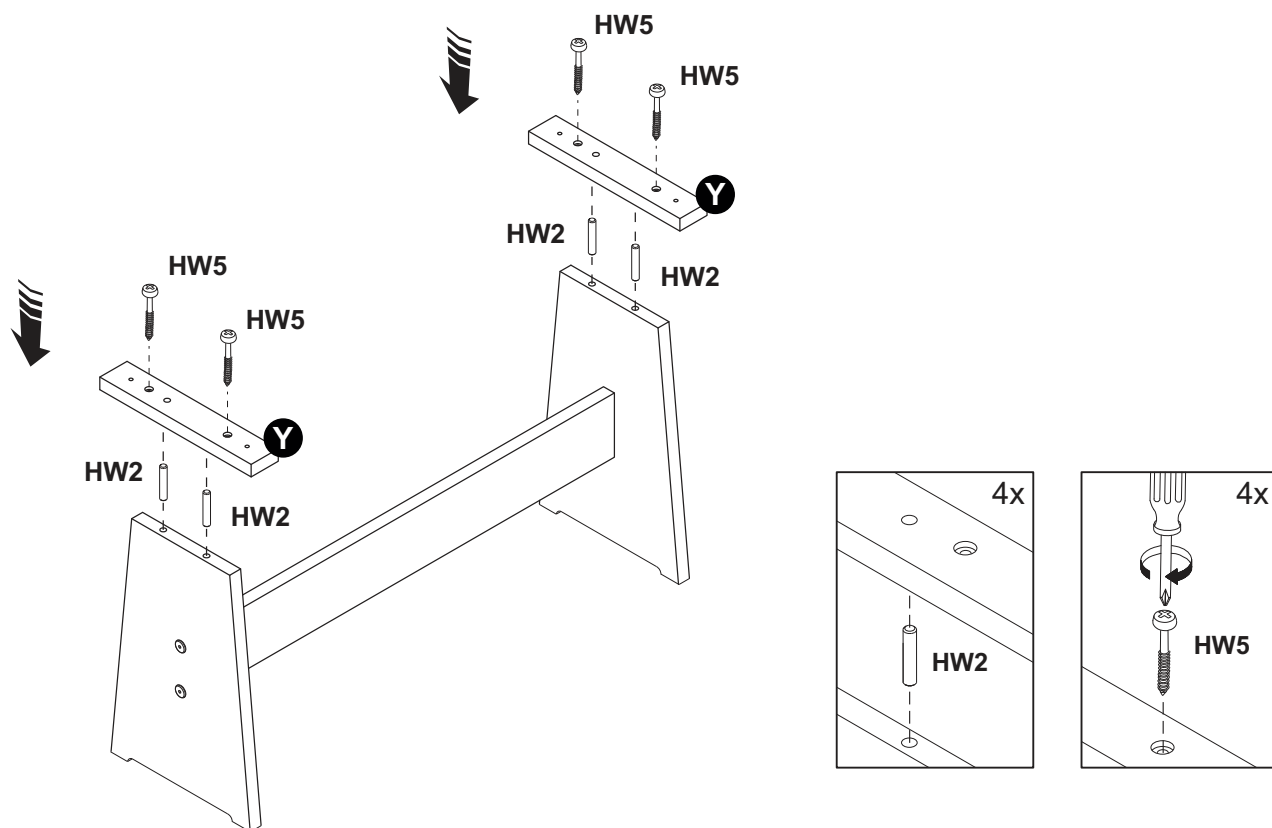
PARTS LIST			
ITEM	DESCRIPTION	SKETCH	QUANTITY
V	Bench seat		1x
W	Bench legs		2x
X	Bench Crossbar		1x
Y	Bench top supports		2x

HARDWARE LIST			
ITEM	DESCRIPTION	SKETCH	QUANTITY
HW2	Dowel : 8x50mm		4x
HW4	Screw : 4,0x30mm		4x
HW5	Screw : 4,0x35mm		4x
HW7	Screw : 7,0x50mm		4x
HW8	Allen Key		1x

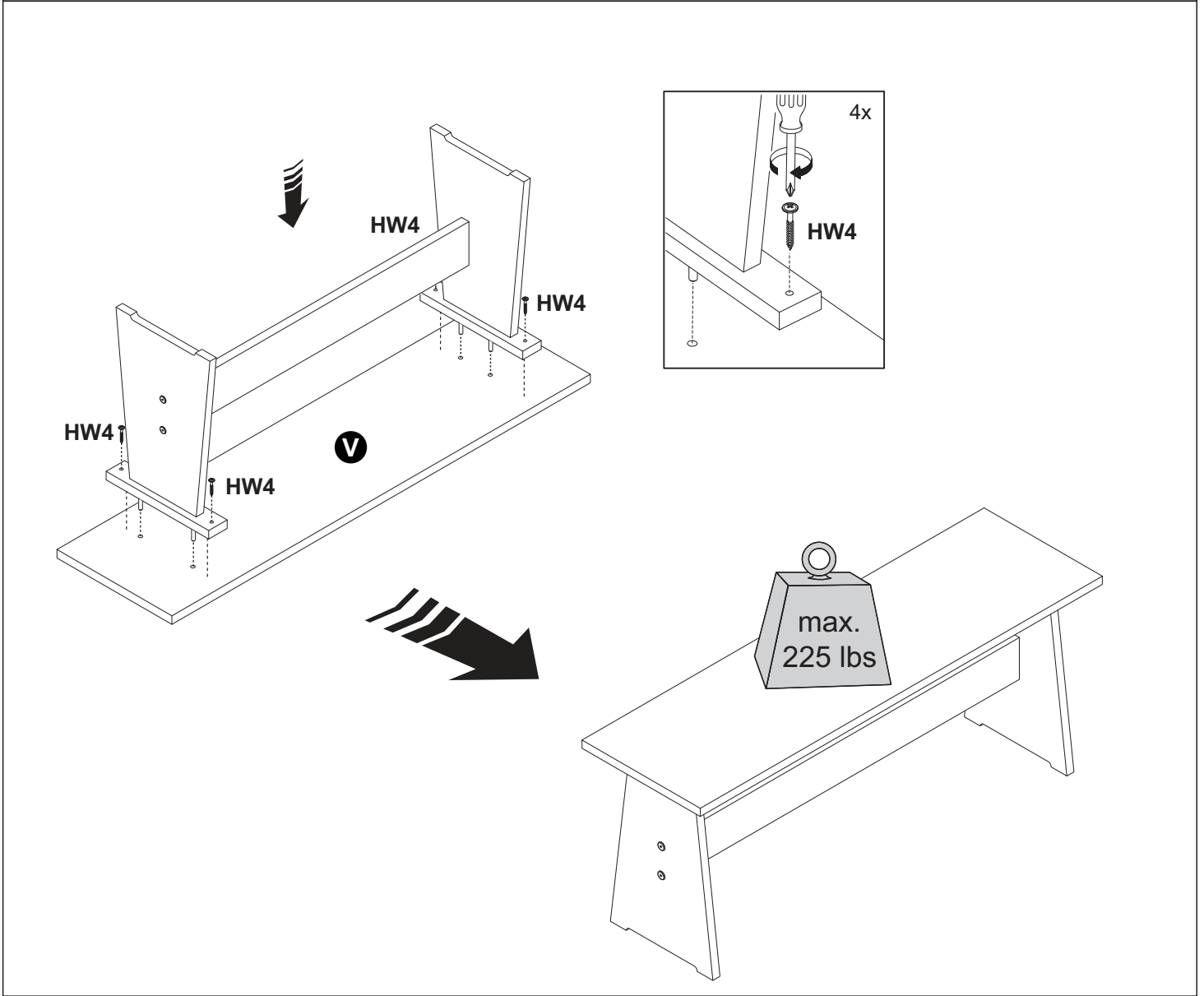
STEP 1: Attach the bench legs to the bench crossbar using screws.



STEP 2: Attach the bench top supports using screws.



STEP 3: Attach the bench seat using screws.



CLEANING INSTRUCTIONS: Clean with Soft cloth, brush, or lightly vacuum.

ADULT ASSEMBLY REQUIRED

WARNING: This product may contain small components, please ensure they are kept away from small children.