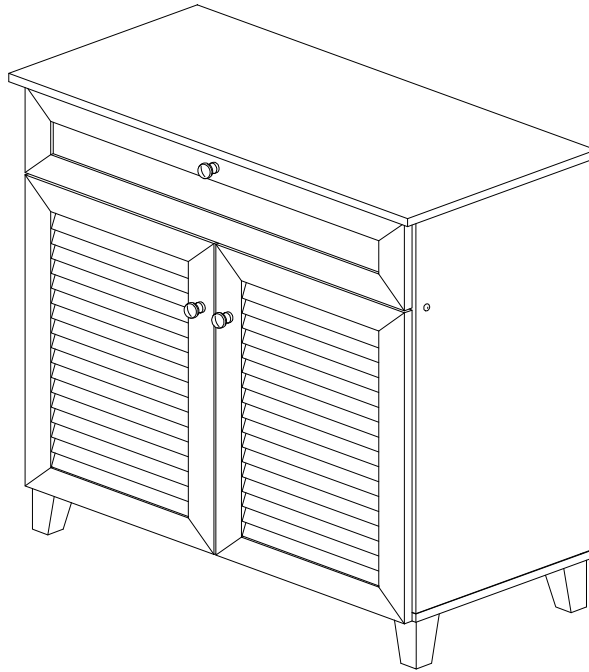
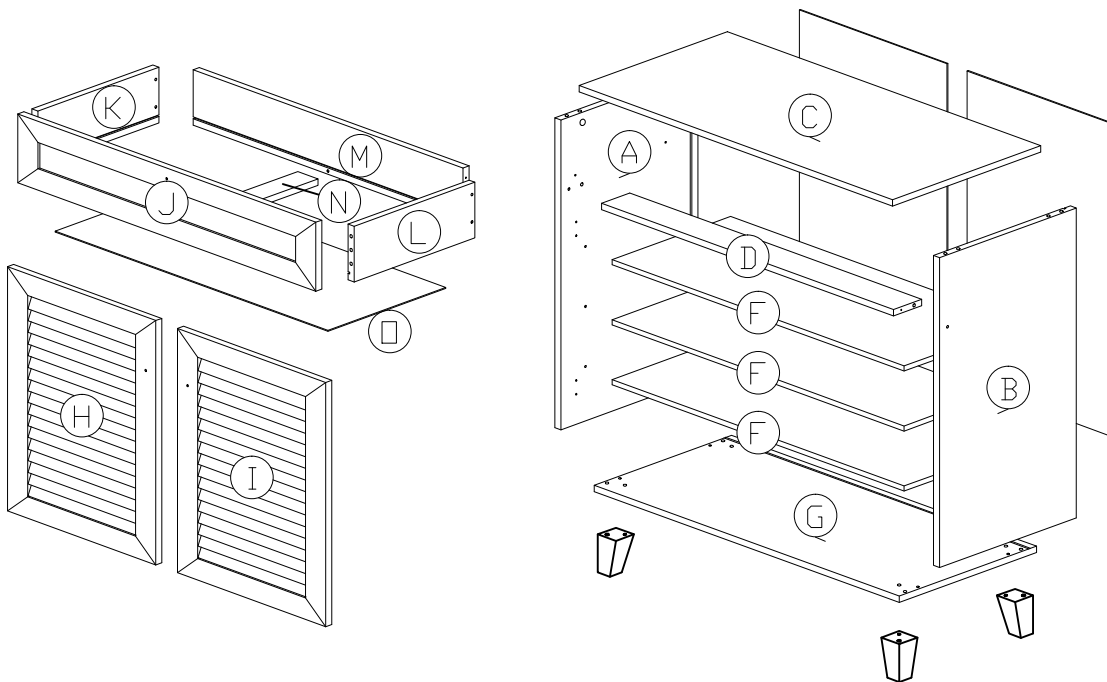


Assembly Instruction




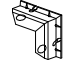
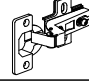



Part List





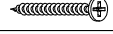


Assembly Instruction

Hardware List

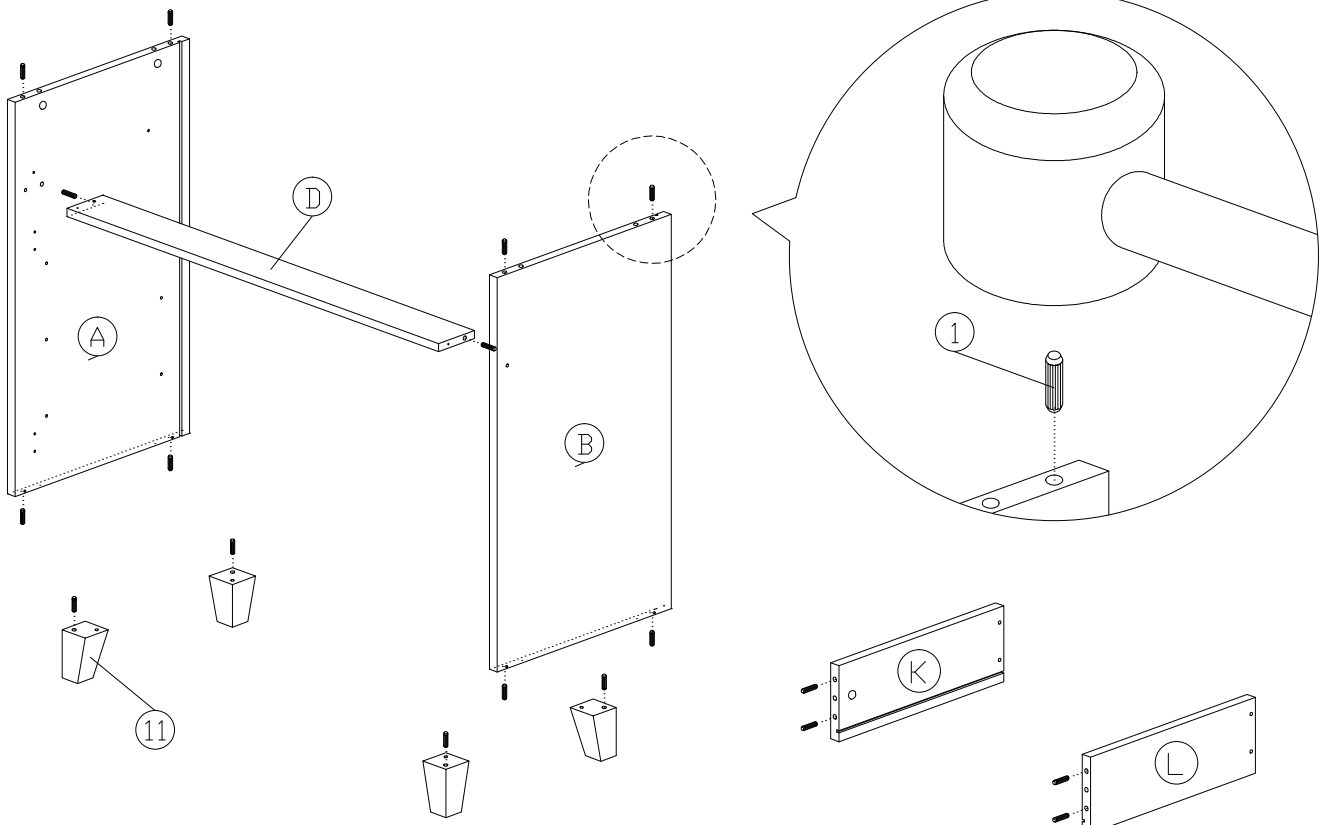
No.	SHAPE	DESCRIPTION	Qty.
1		8x25mm Wood Dowel	18Pcs
2		15MM Titus Mini Fix	7Sets
3		M5x8mm Screw (Euro Screw)	4Pcs
4		TP 10#x1/2" Screw	16Pcs
5		M3.5x15mm Screw	4Pcs
6		M3x16mm Screw	4Pcs
7		M4x38mm Screw	11Pcs
8		M7x40mm Screw	4Pcs
9		Shelf Support	12Pcs
10		Handle (9988) M4x25mm (Handle Screw)	3Sets
11		Wooden Leg	4Pcs

12		L Key	1Pc
13		Z Bracket	2Pcs
14		Hinges (F012)	4Sets
15		Drawer Slide = 300mm	1Set
16		15mm Minifix Cap	2Pcs
17		Screw Cap	2Pcs

Packing Tipping Restraint

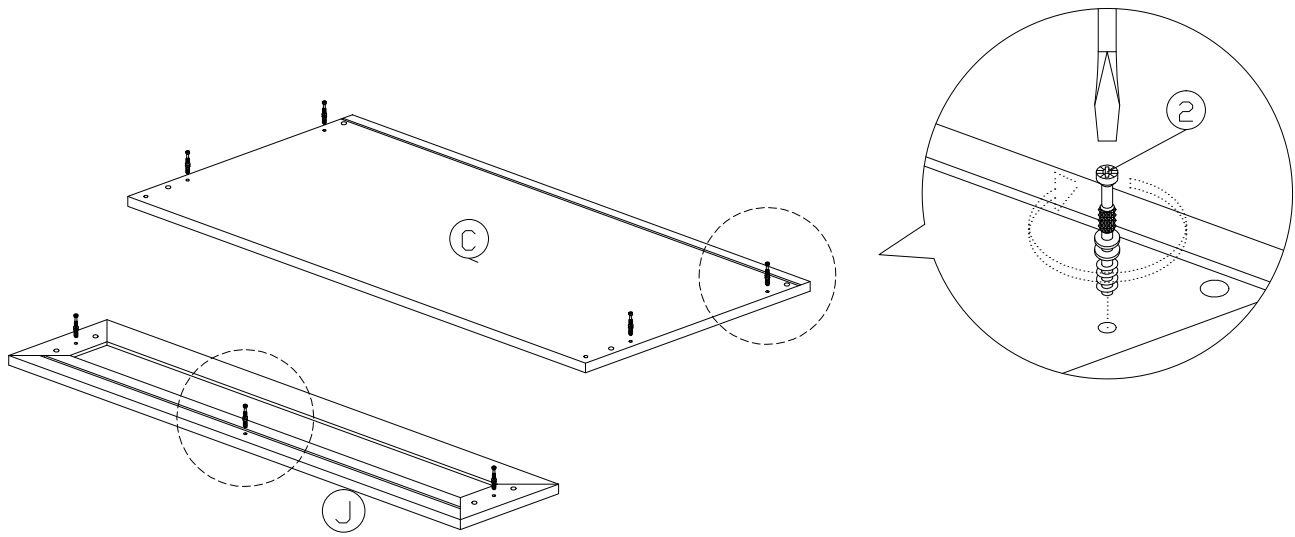
18		M3.5x15mm Screw	2Pcs
19		Wall Plug	2Pcs
20		M4x30mm Screw	2Pcs
21		Safety Strap	2Pcs
22		Flat Washer 6x19x2mm	4Pcs

Step 1

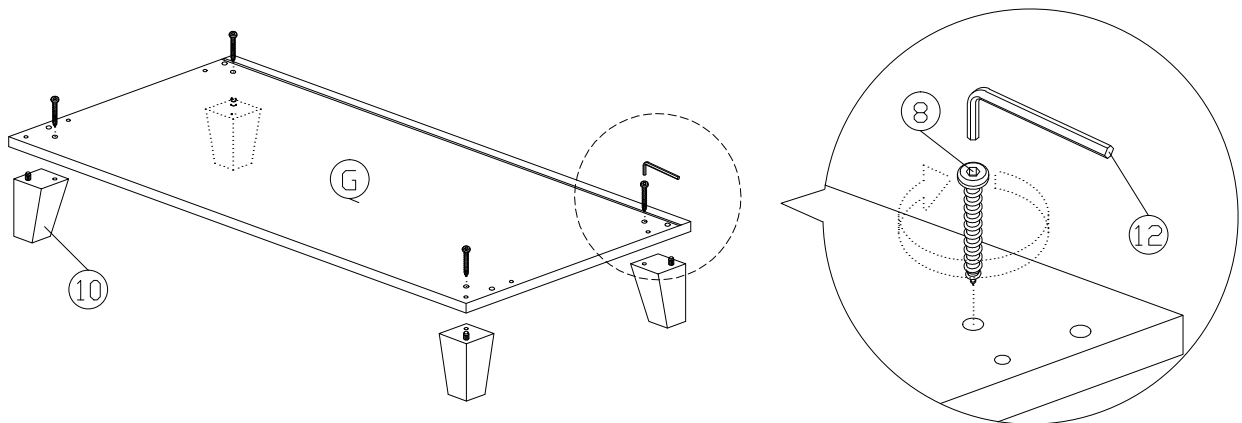


Assembly Instruction

Step 2

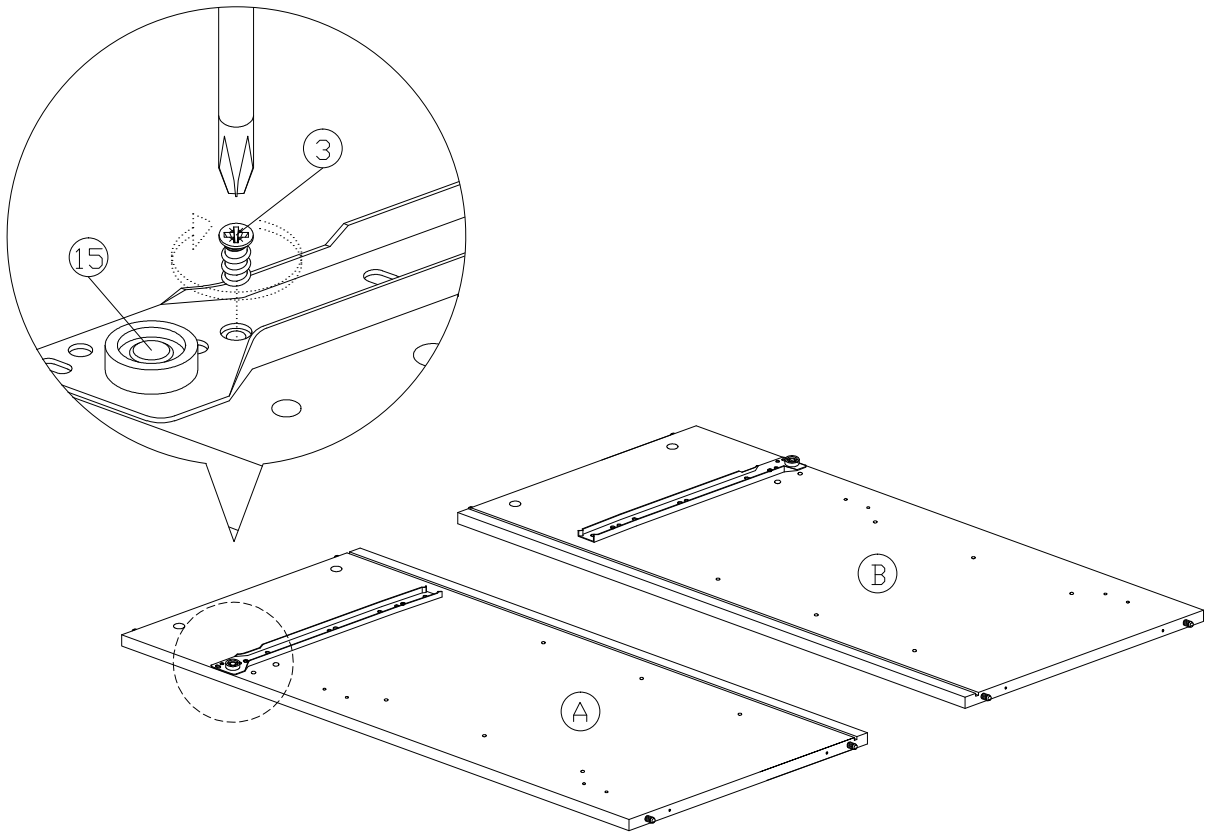


Step 3

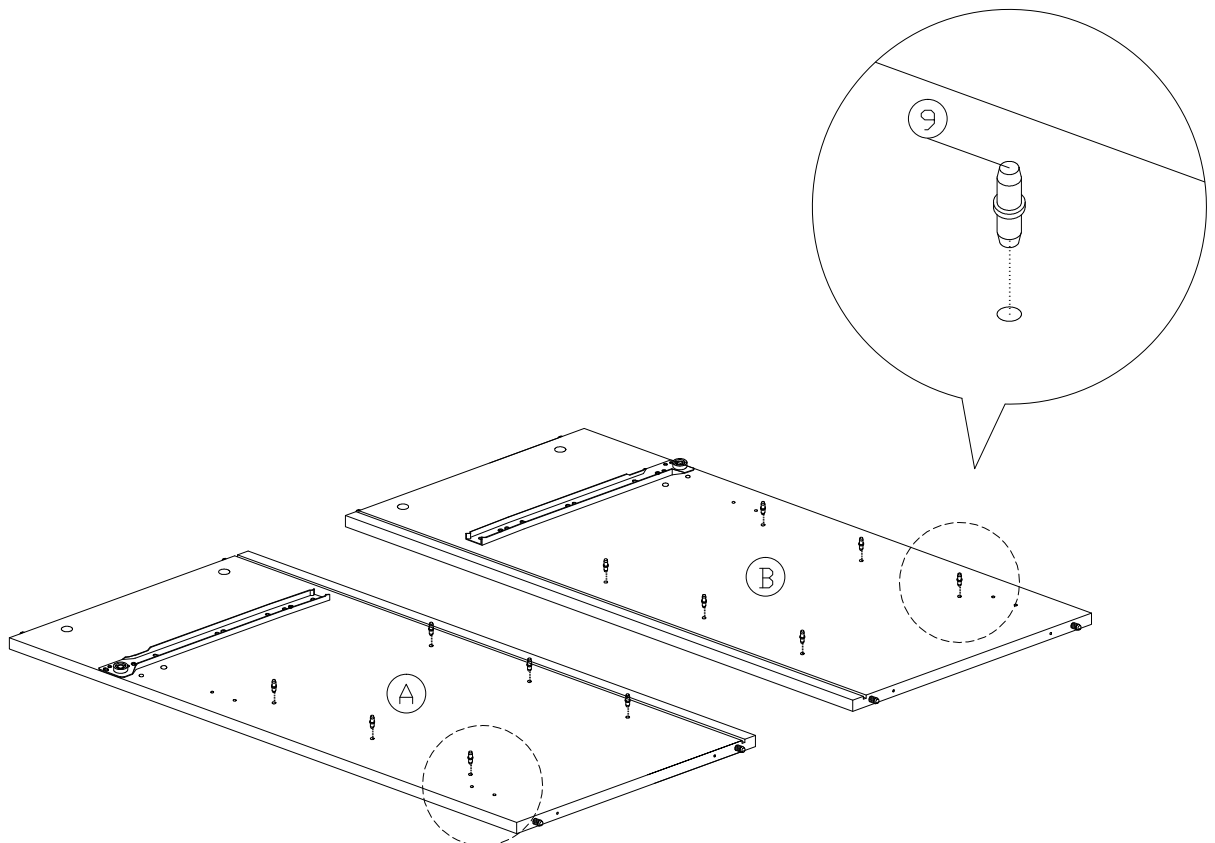


Assembly Instruction

Step 4

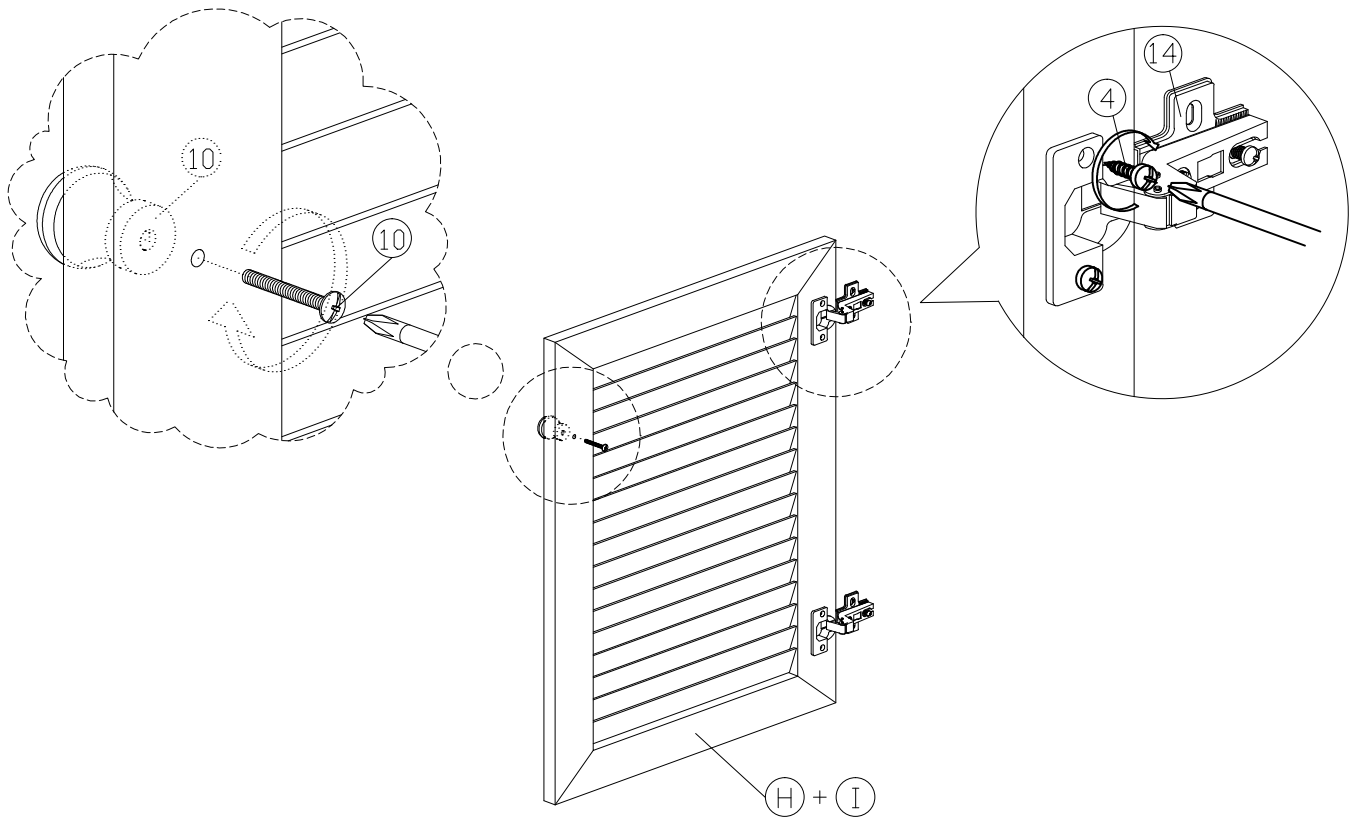


Step 5

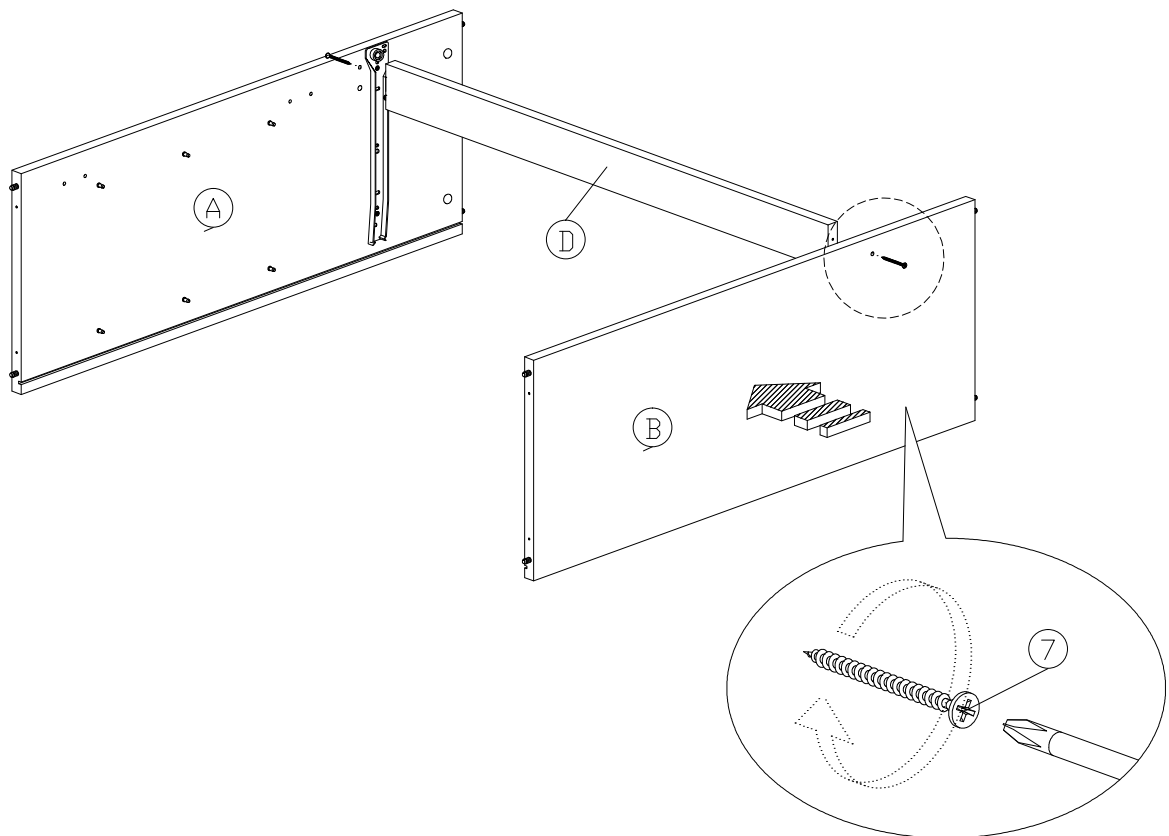


Assembly Instruction

Step 6

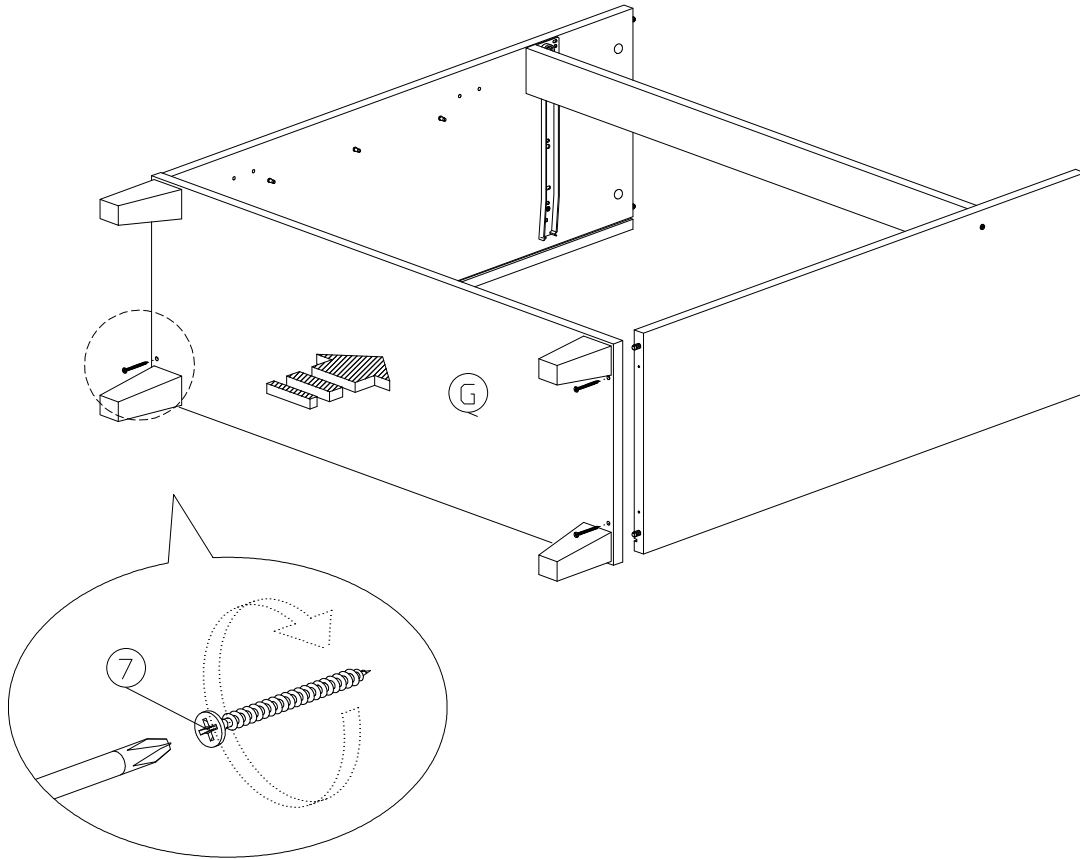


Step 7

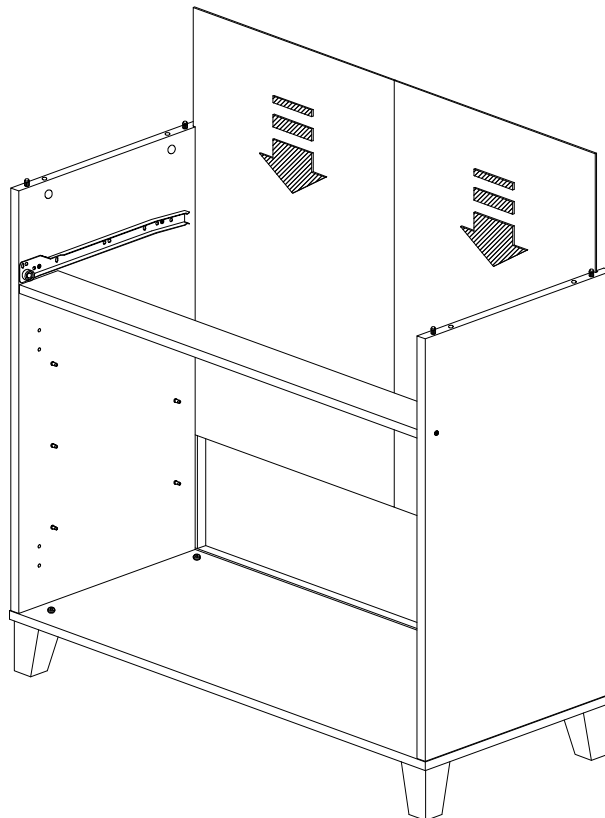


Assembly Instruction

Step 8

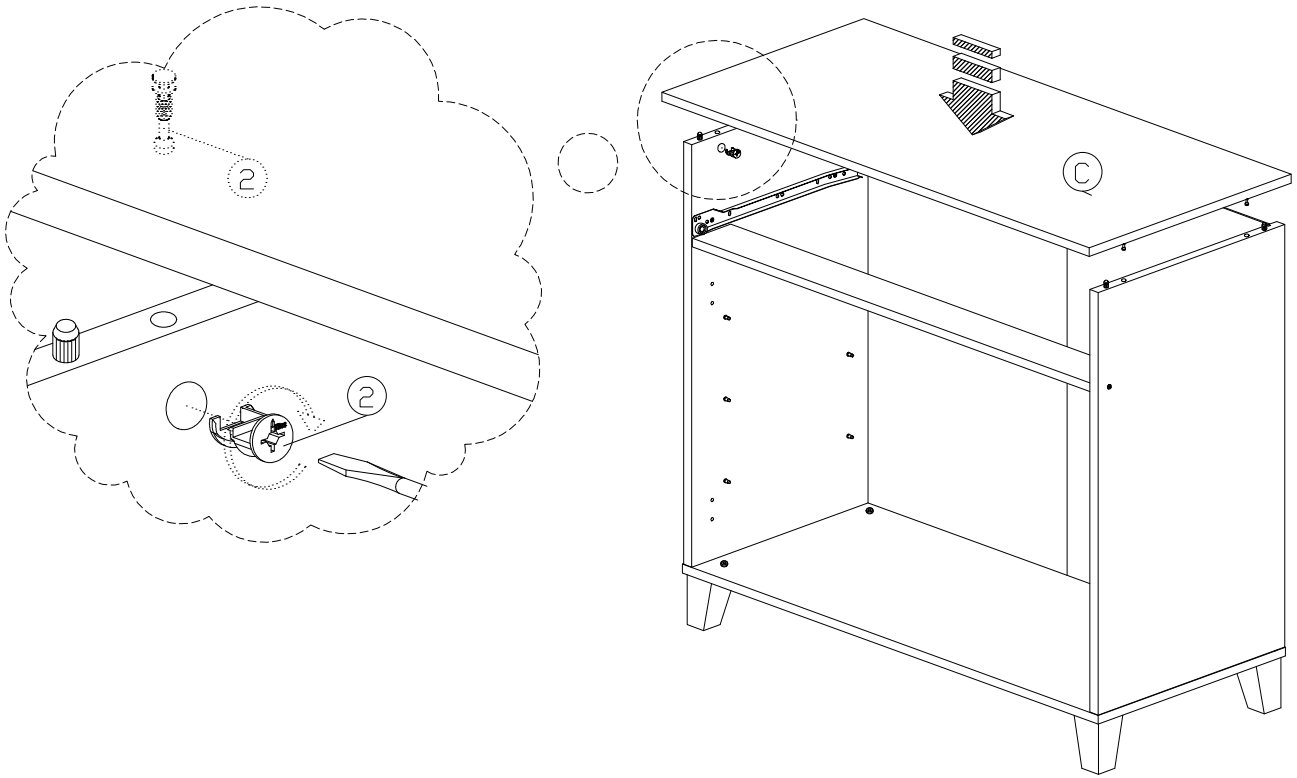


Step 9

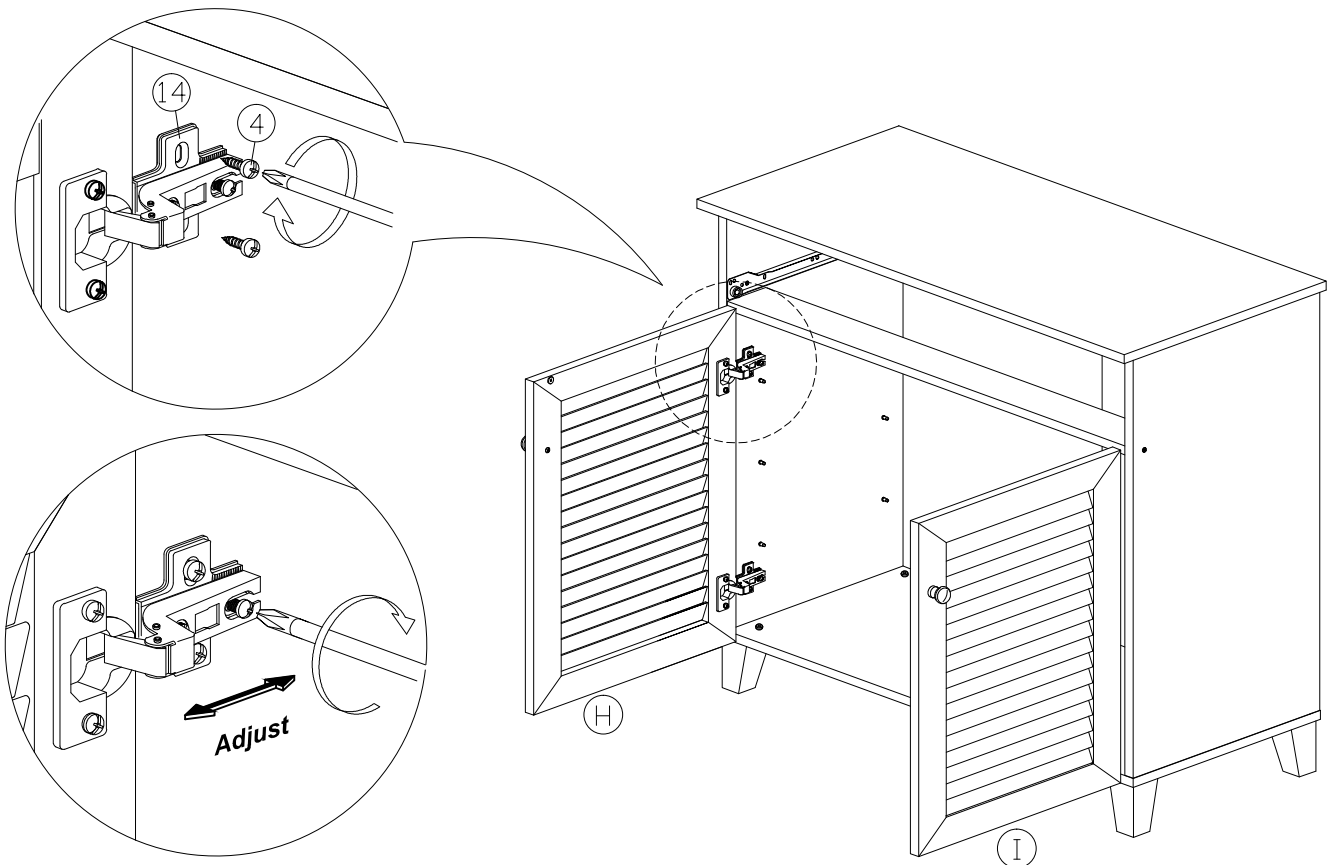


Assembly Instruction

Step 10

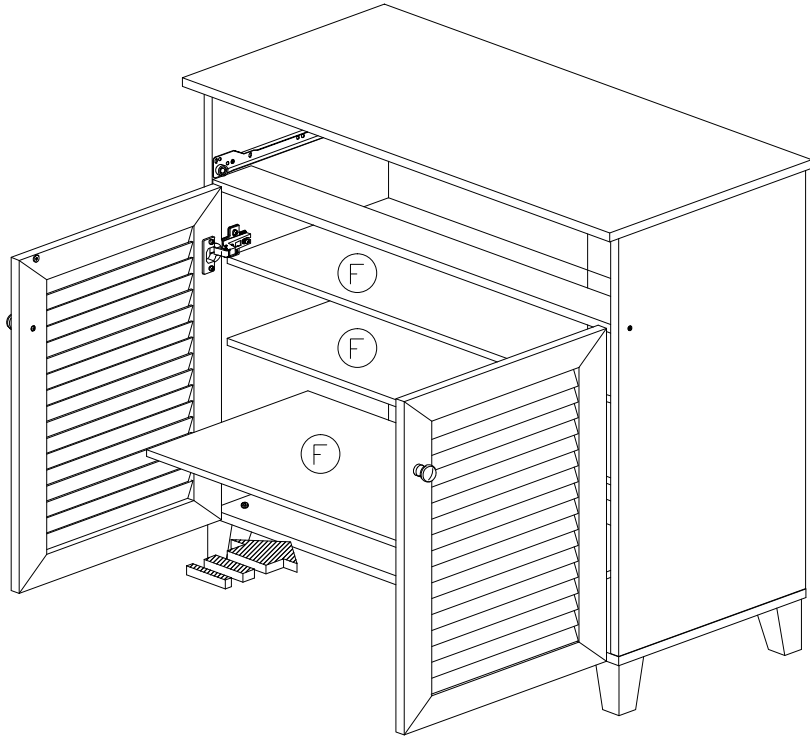


Step 11

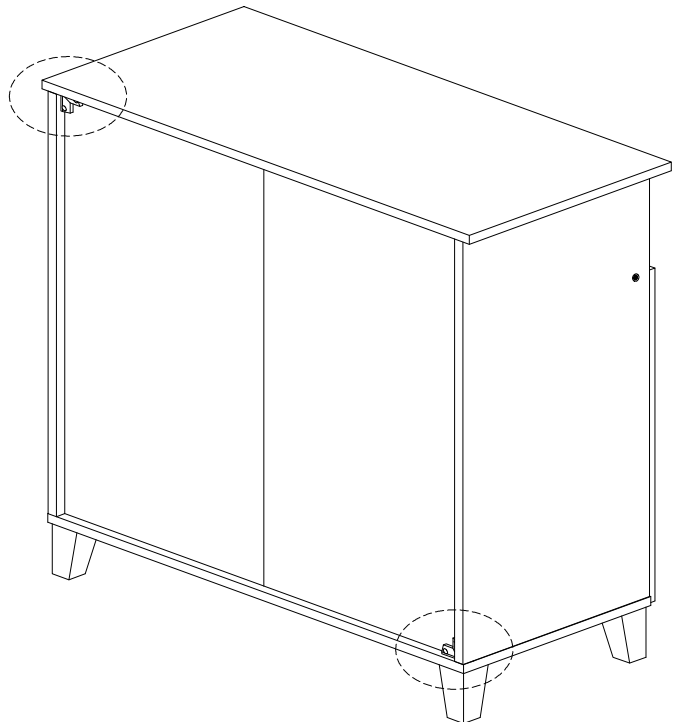
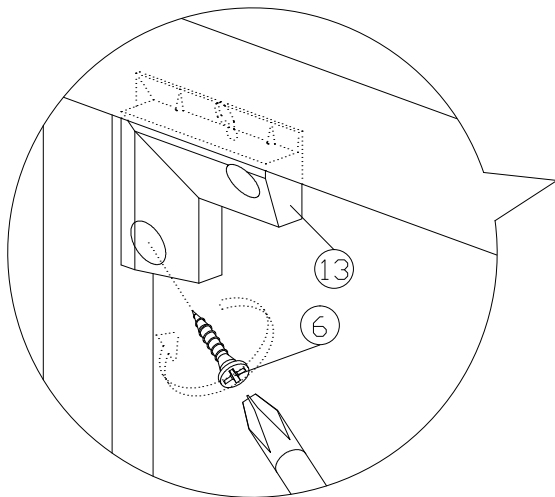


Assembly Instruction

Step 12

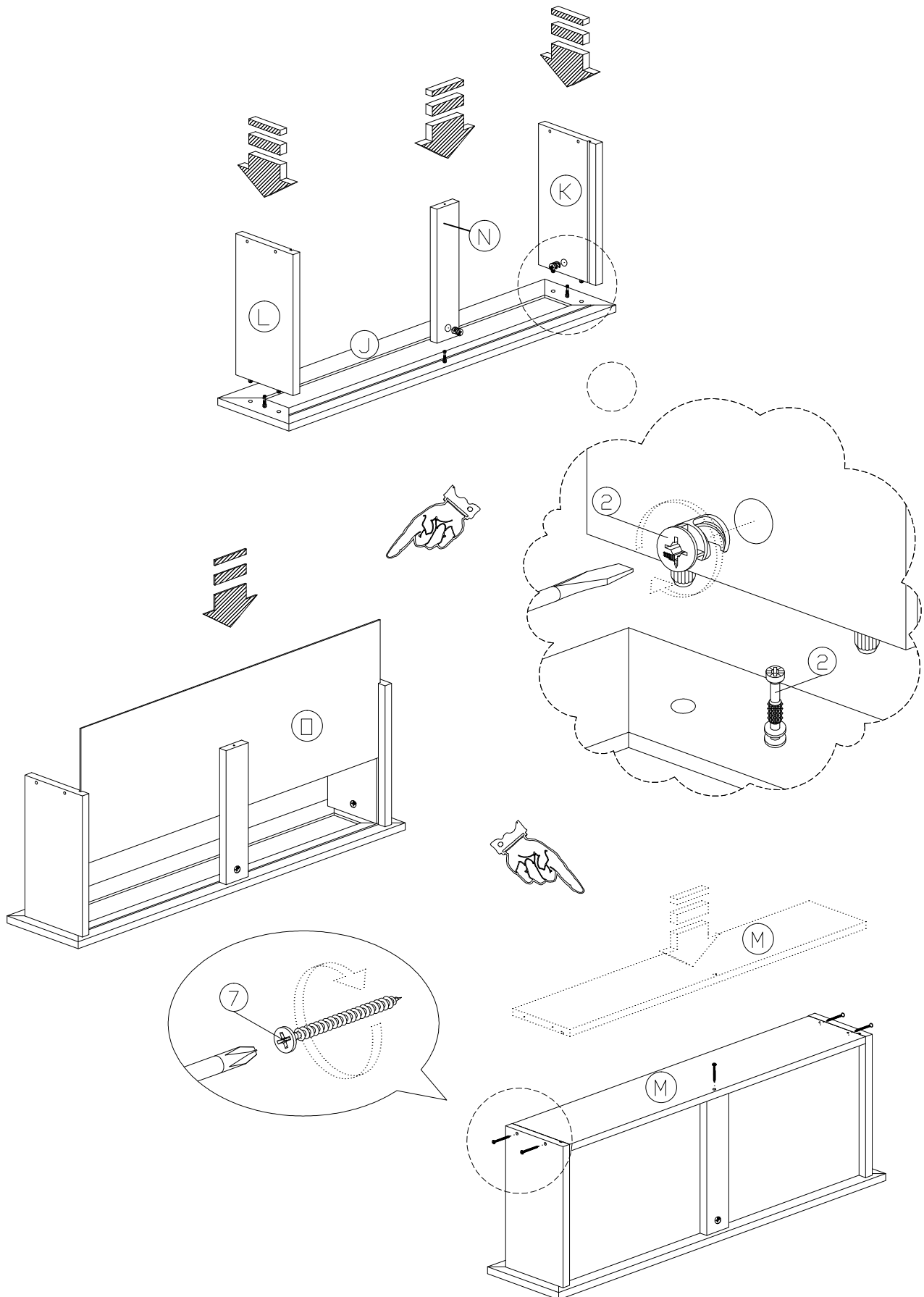


Step 13



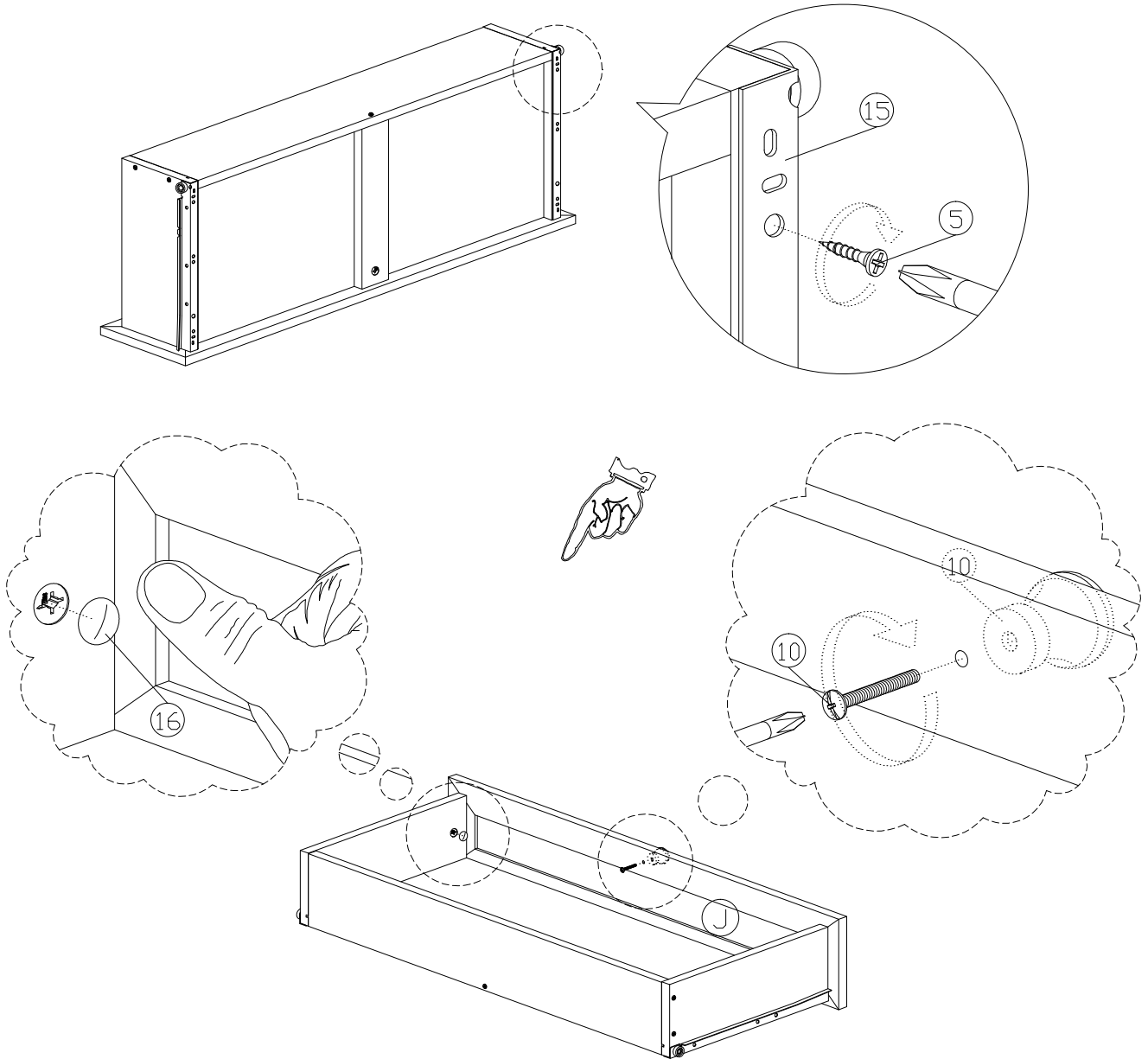
Assembly Instruction

Step 14

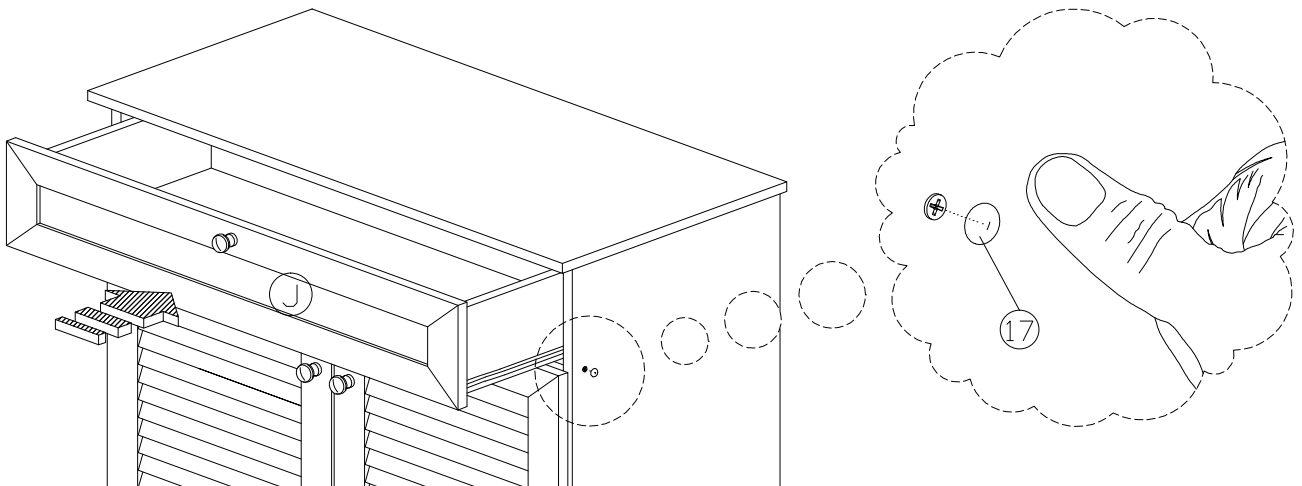


Assembly Instruction

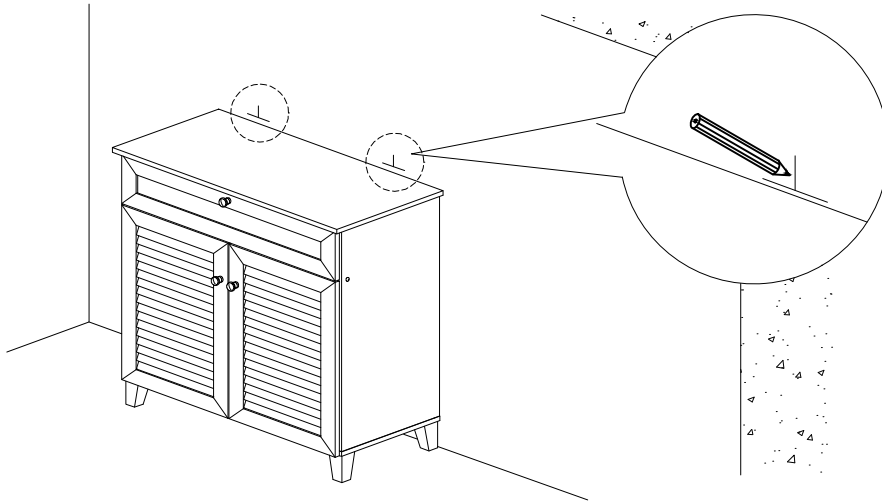
Step 15



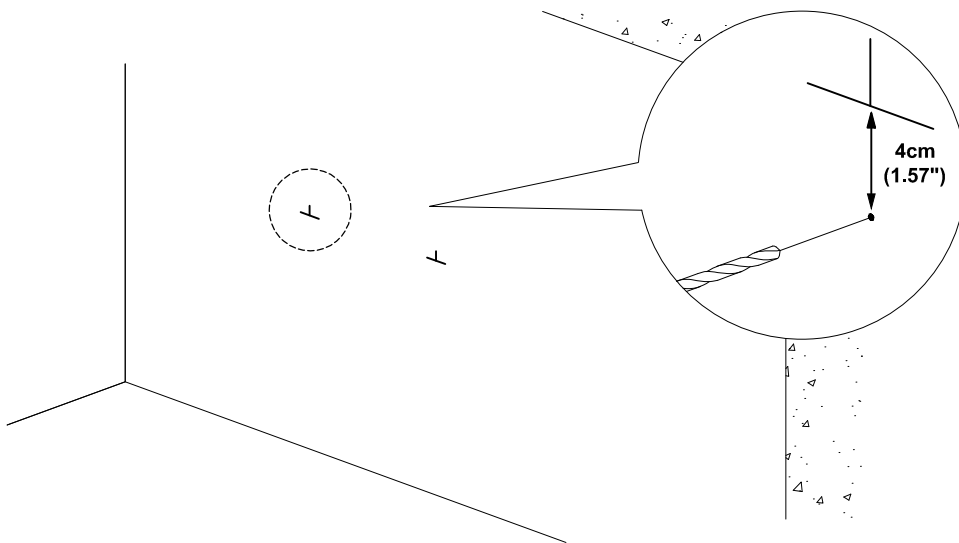
Step 16



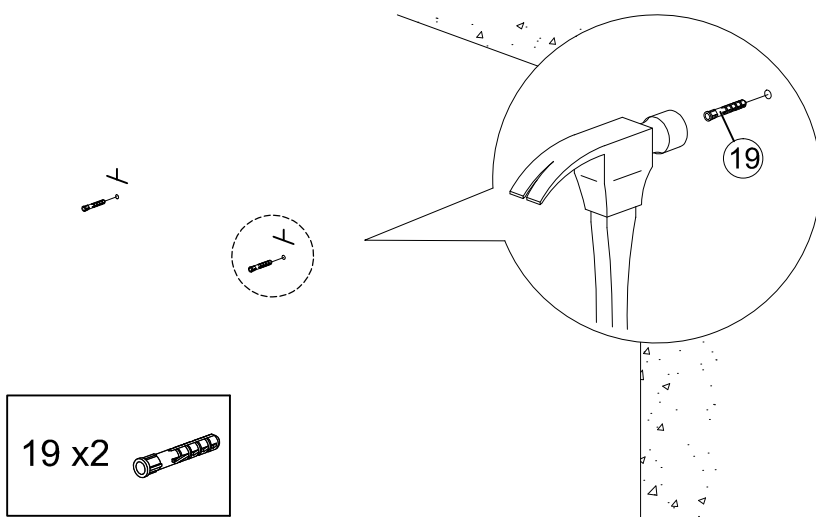
FURNITURE TIPPING RESTRAINT



1. First mark the wall with pencil as in diagram.



2. Drill small hole at the pencil mark.

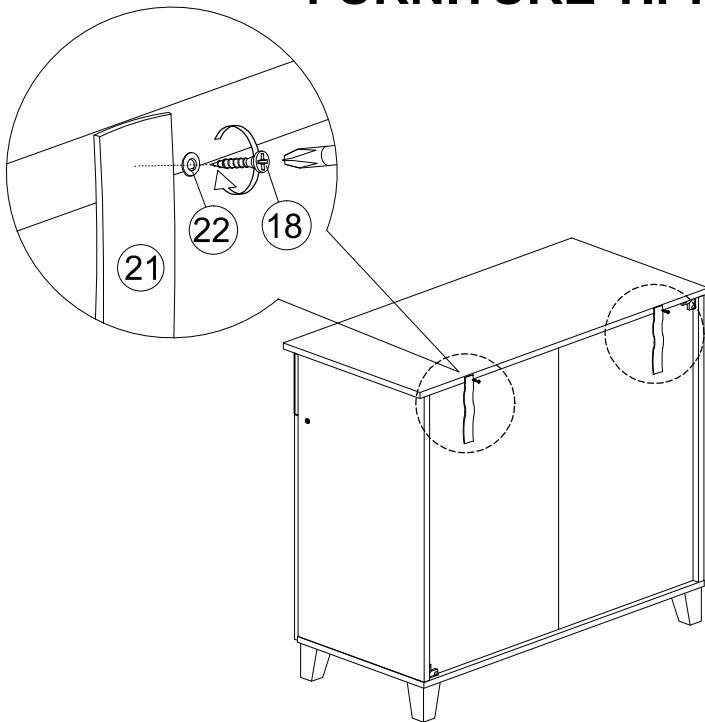


3. Insert plastic wall plug (19).

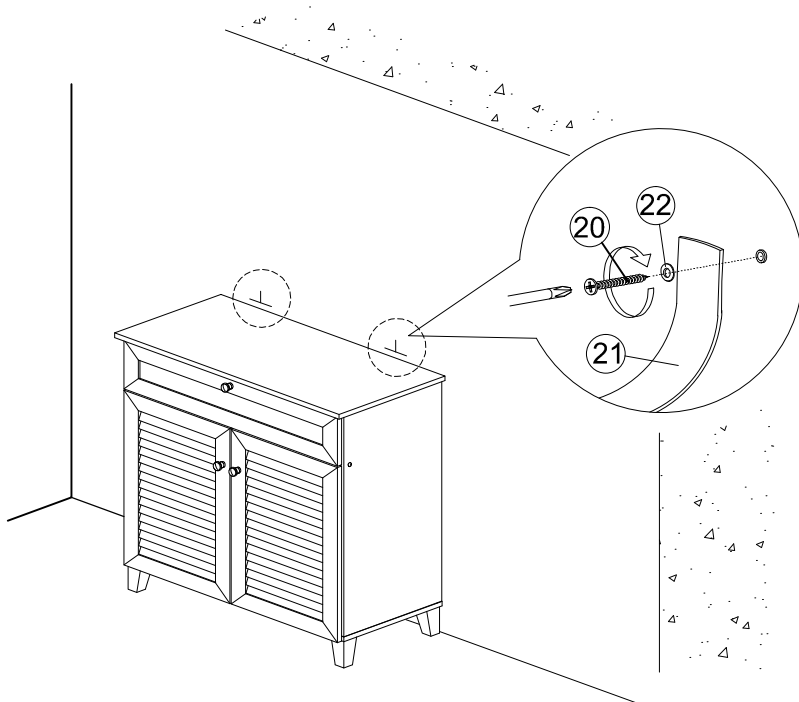
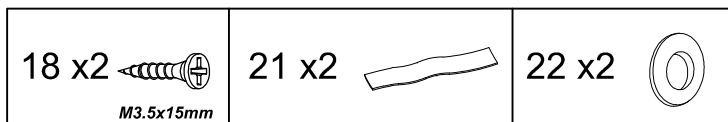
19 x2



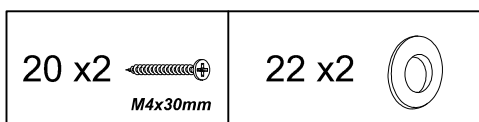
FURNITURE TIPPING RESTRAINT

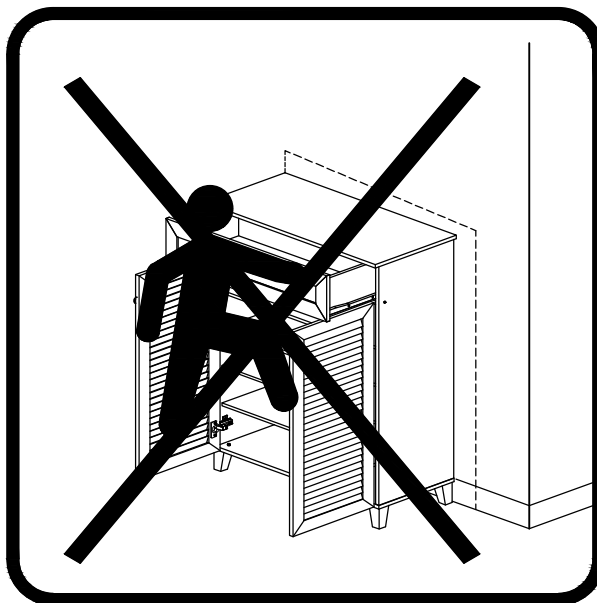
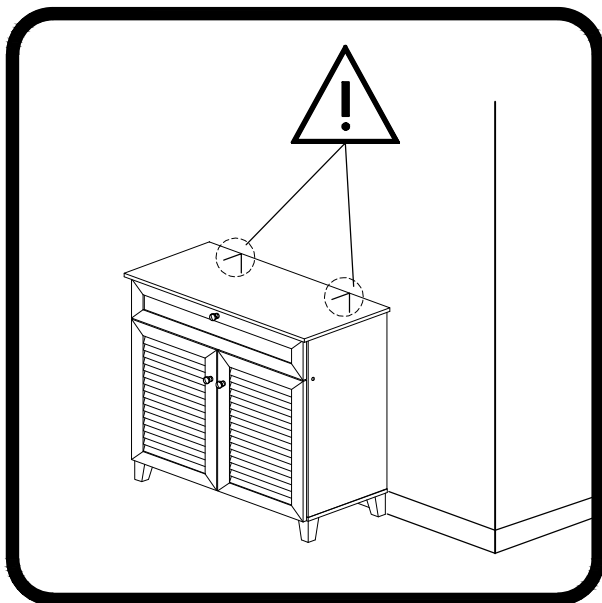


4. Add safety strap (21), washer (22) using 3.5x15mm screw (18) to back of cabinet.



5. Finally, attach safety strap (21) and washer (22) using 4x30mm screw (20) to the wall.





⚠ WARNING	
	<p>Children have died from furniture tipover. To reduce the risk of furniture tipover:</p> <ul style="list-style-type: none">• ALWAYS install tipover restraint provided.• NEVER put a TV on this product.• NEVER allow children to stand, climb or hang on drawers, doors, or shelves.• NEVER open more than one drawer at a time.• Place heaviest items in the lowest drawers. <p><i>This is a permanent label. Do not remove!</i></p>
	



Anti-Topple hardware included for added safety and stability