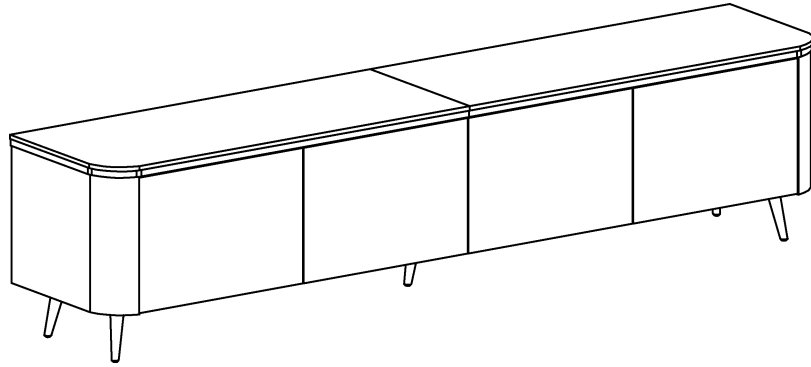
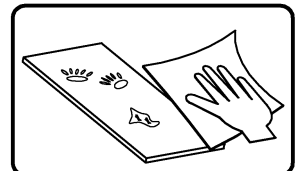
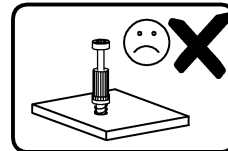
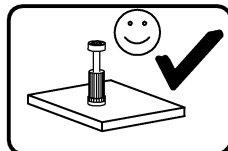
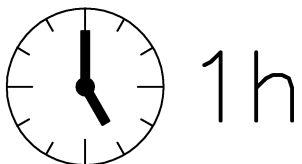
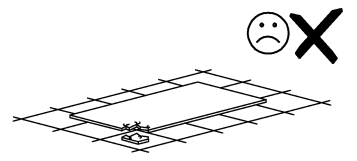
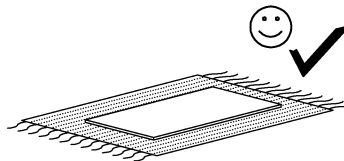
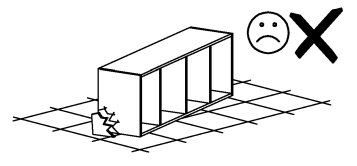
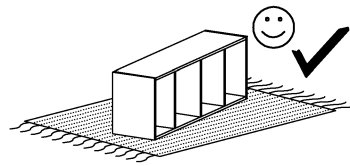
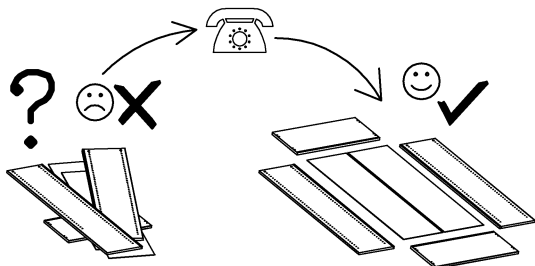
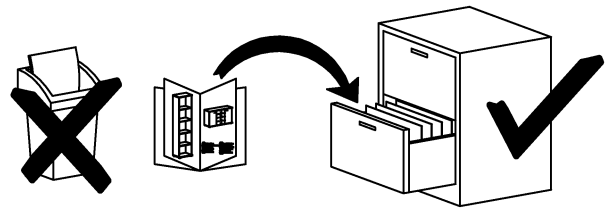
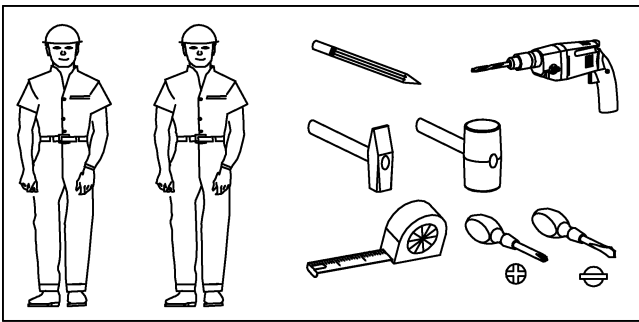
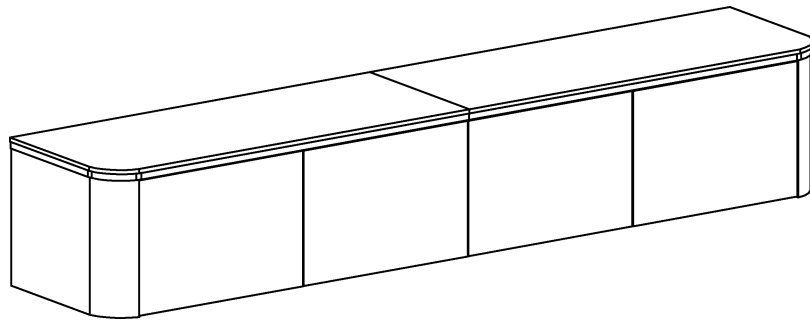


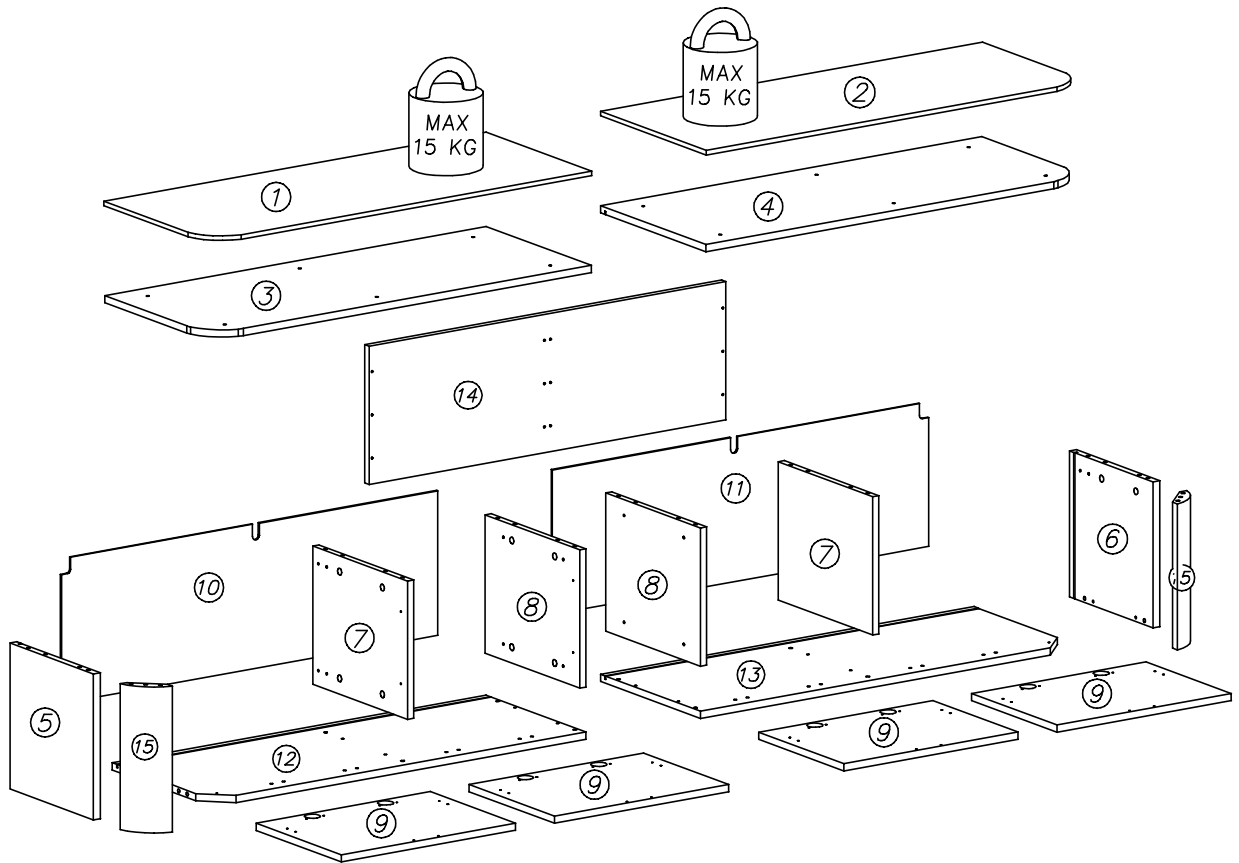
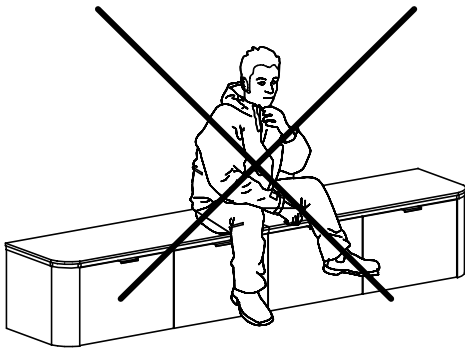
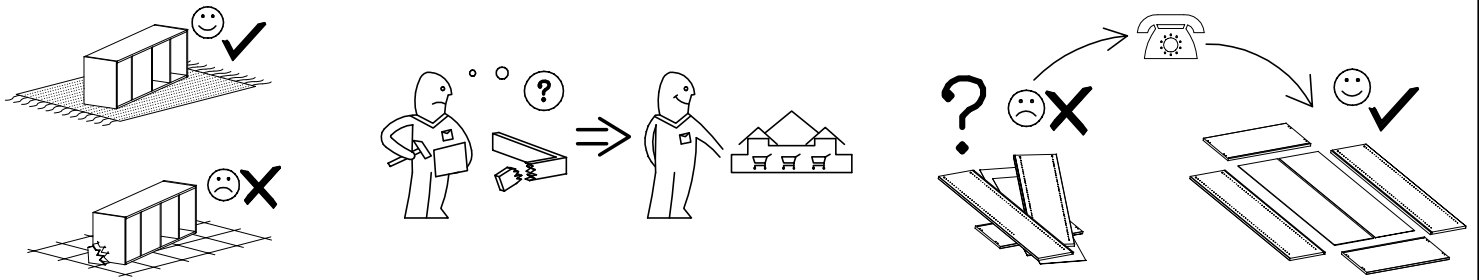
Assembly Installation

Ver. 1



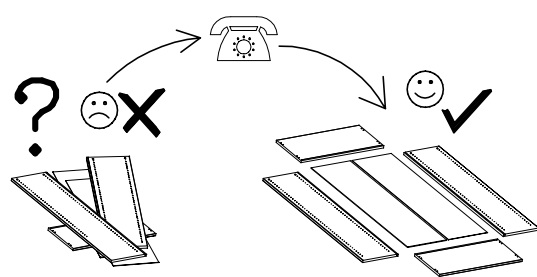
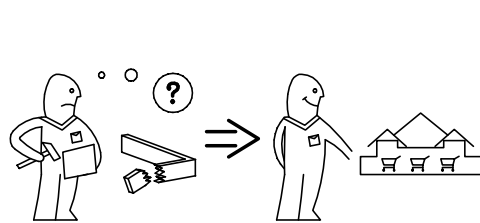
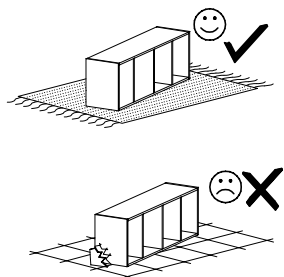
Ver. 2
(Hanging)



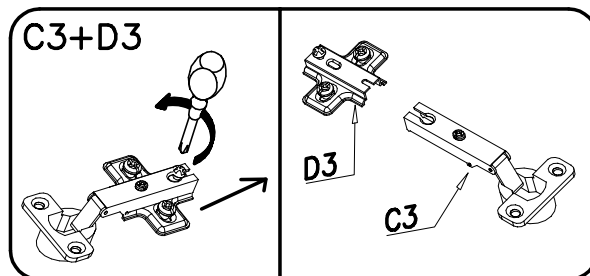


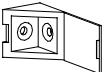


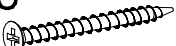
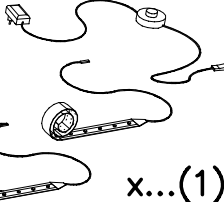

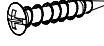
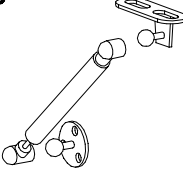
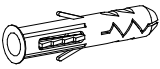
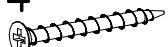
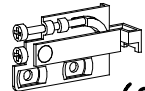
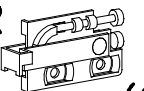
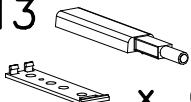
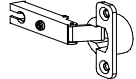
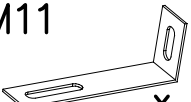
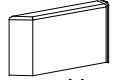
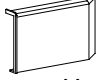

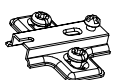


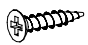
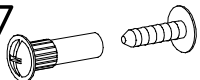
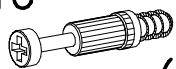
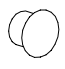


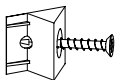
nr	L[mm]	B[mm]	T[mm]	Menge	Colli
1	1000	395	10	1	2/2
2	1000	395	10	1	2/2
3	998	393	16	1	2/2
4	998	393	16	1	2/2
5	324	312	16	1	1/2
6	324	312	16	1	1/2

nr	L[mm]	B[mm]	T[mm]	Menge	Colli
7	307	354	16	2	1/2
8	307	354	16	2	1/2
9	454	318	16	4	1/2
10	986	319	3	1	2/2
11	986	319	3	1	2/2
12	980	374	16	1	1/2
13	980	374	16	1	1/2
14	941	307	16	1	2/2
15	324	114	30	2	1/2

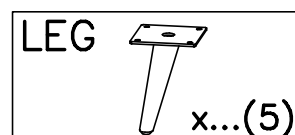
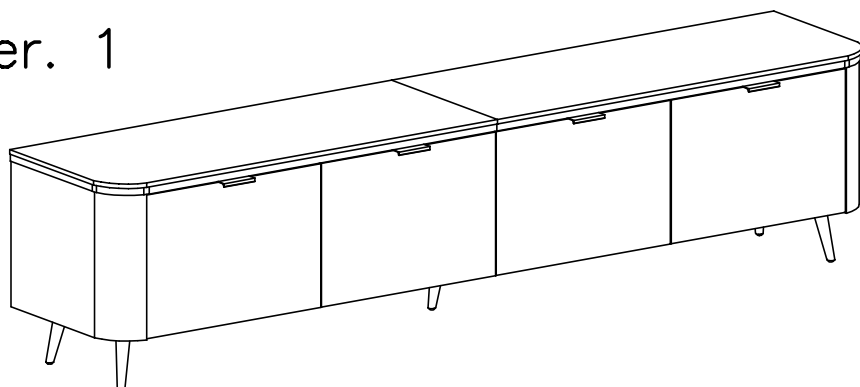


Ver. 1
Ver. 2

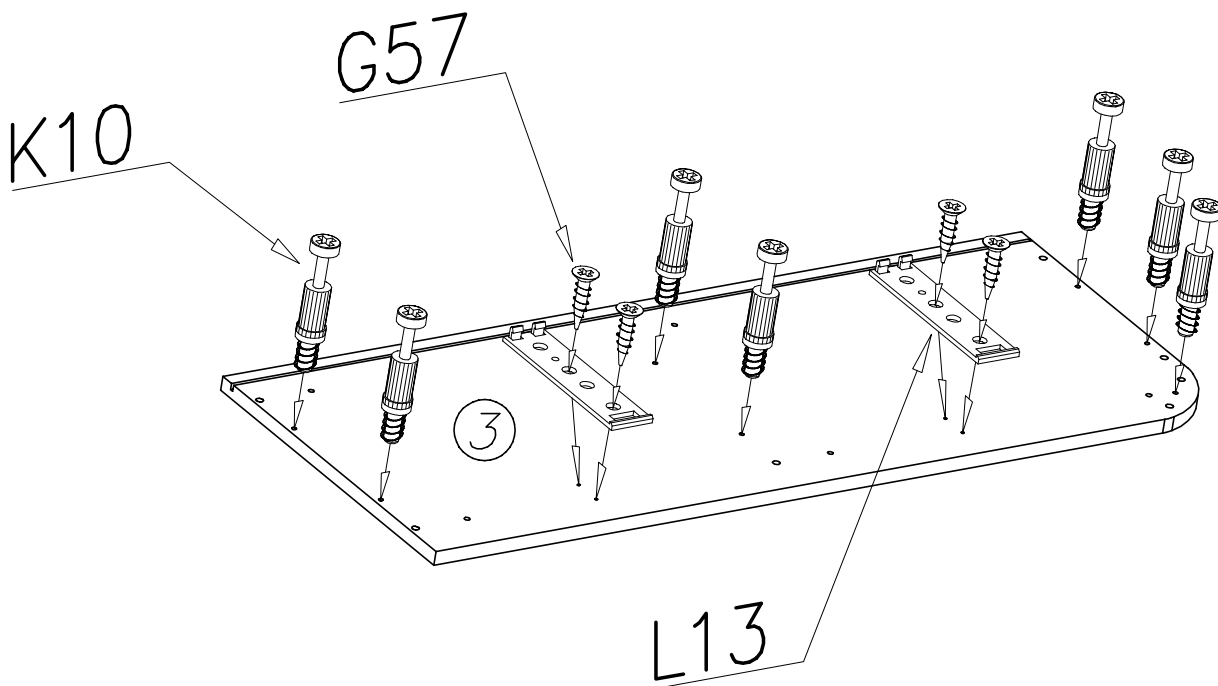
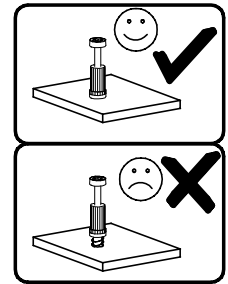
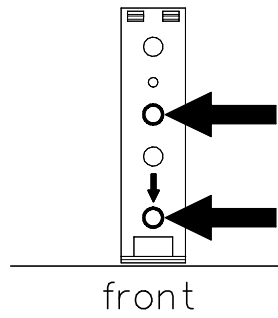
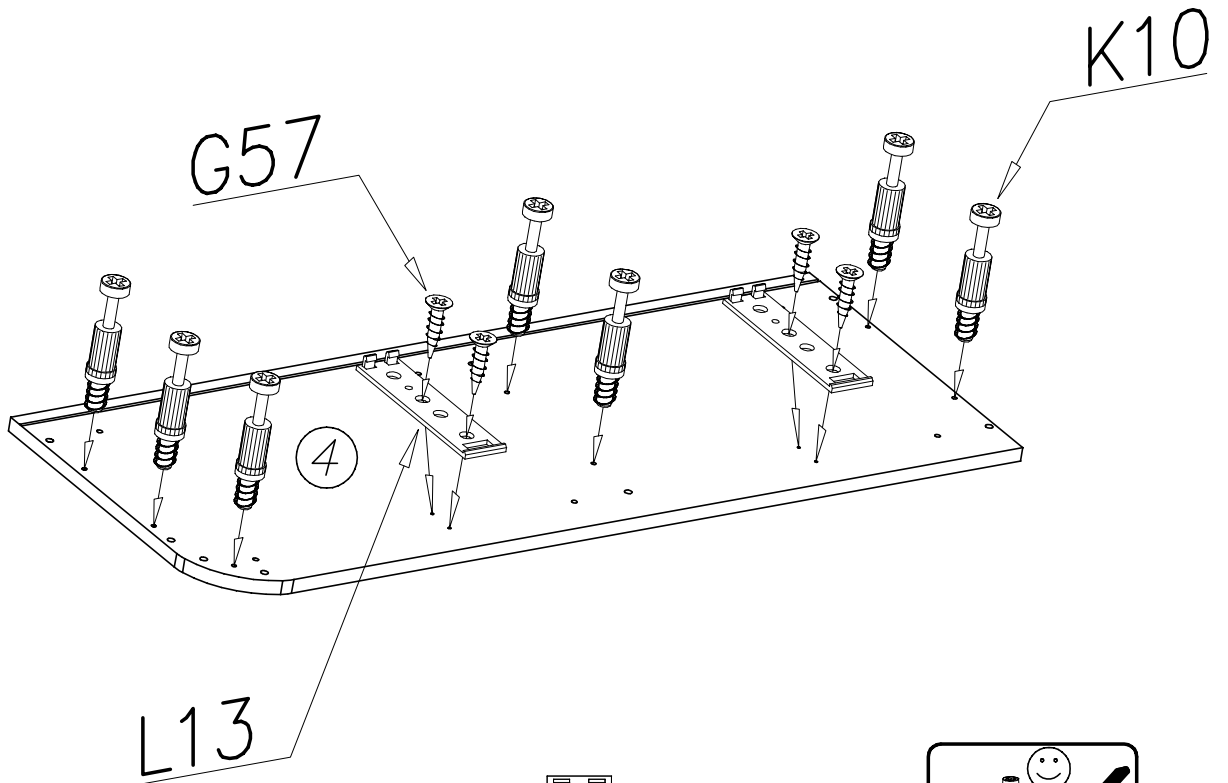


F4  x...(2)	U7  x...(4)	U8  ø10x60 x...(4)	G40  6x60 x...(2)	W10 600mm  x...(1)
G42  6x14 x...(8)	G32  3,5x16 x...(20)	L8  x...(4)	U8  ø10x60 x...(2)	G14  3,5x45 x...(12)
U15L  x...(2)	U15R  x...(2)	L13  x...(4)	C3  Z35PR x...(8)	M11  x...(2)
U16R  x...(2)	U16L  x...(2)	G55  6x22 x...(12)	D3  PZ35PR x...(8)	I7  ø18 x...(26)
K1  ø15x12 x...(26)	G57  3,5x16 x...(8)	N7  M4x15 x...(4)	K10  x...(26)	I4  ø5 x...(4)
B1  ø8x35 x...(28)	G4  4x16 x...(44)	I1  x...(6)		

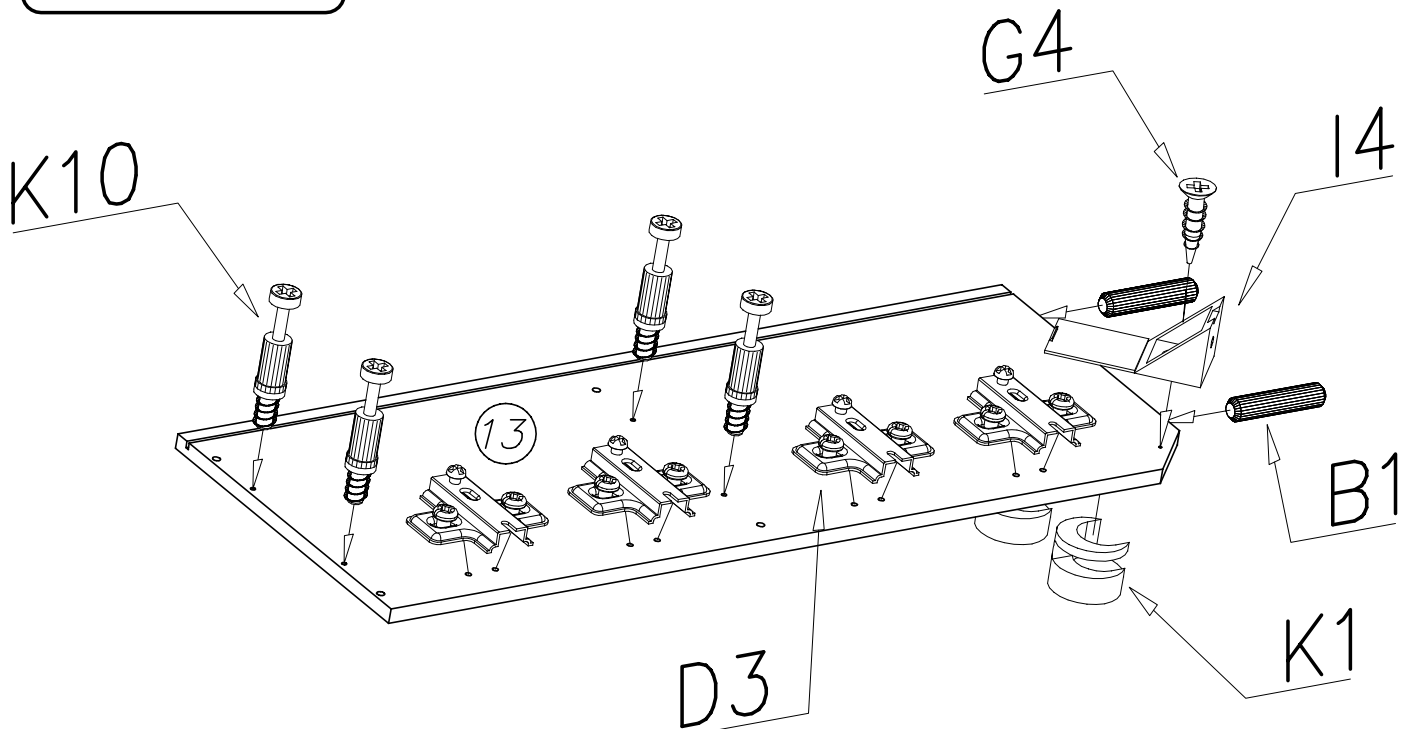
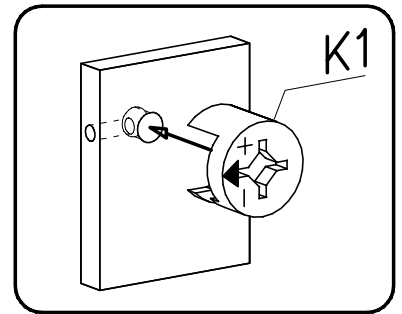
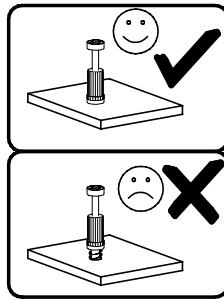
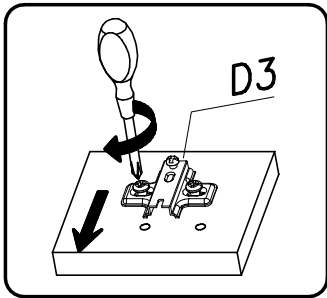
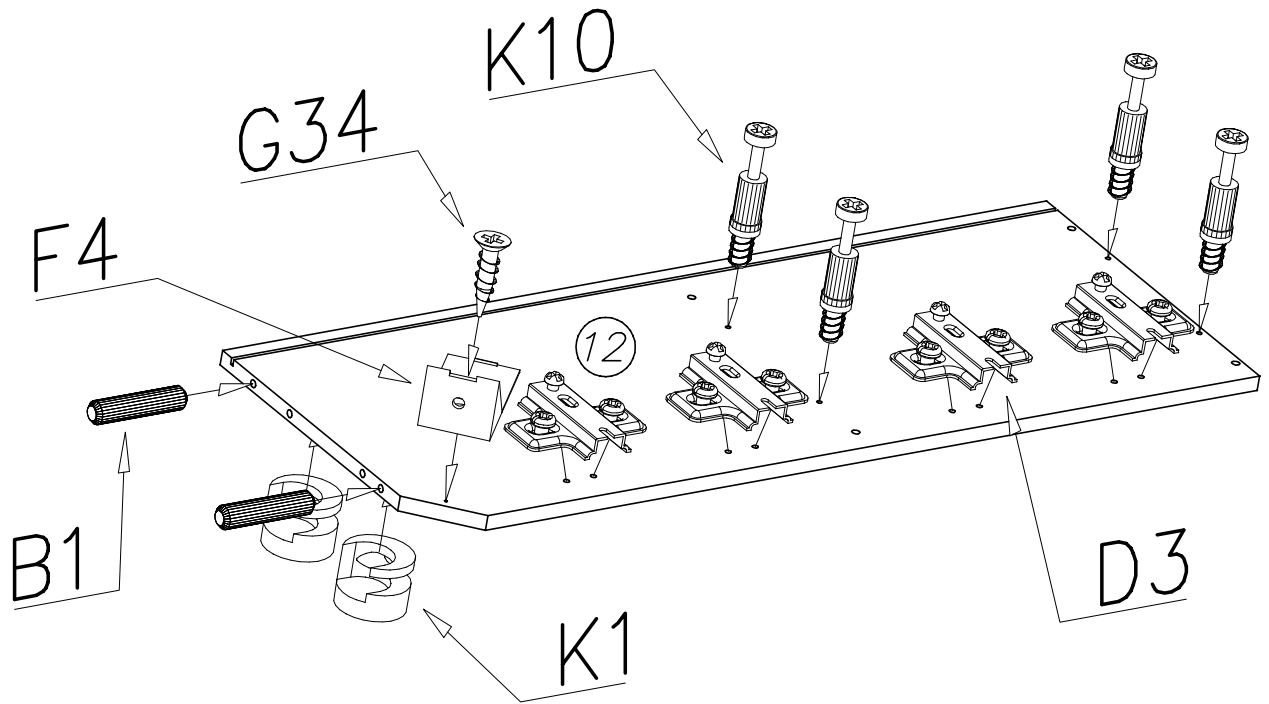
Ver. 1

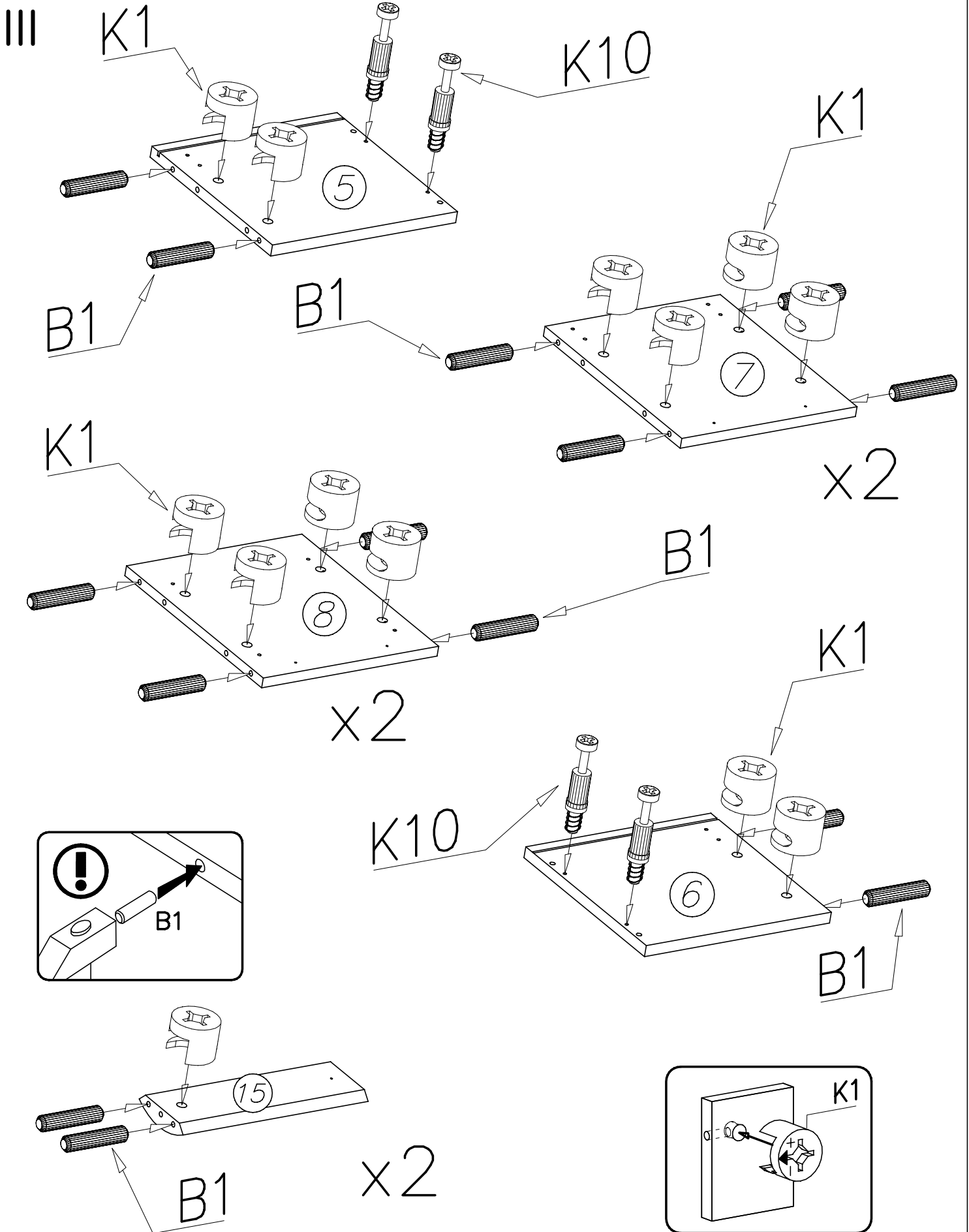


I

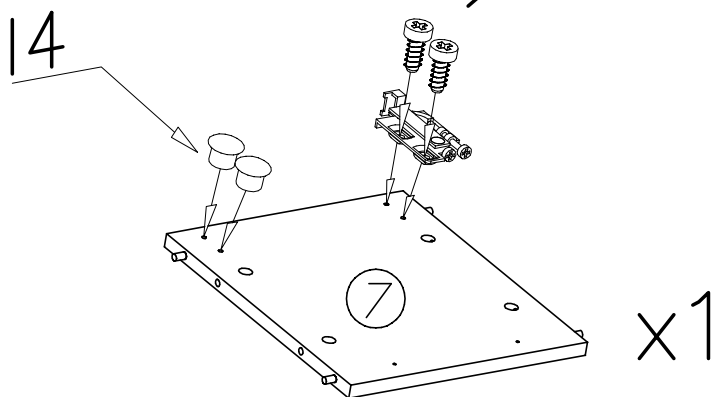
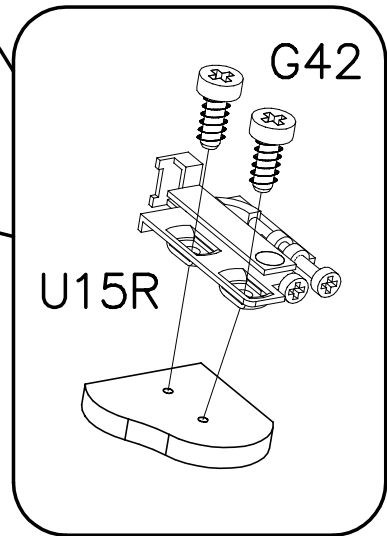
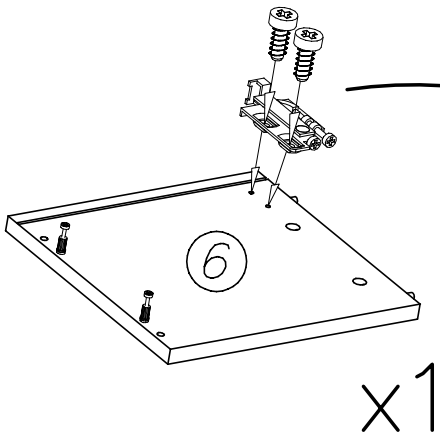
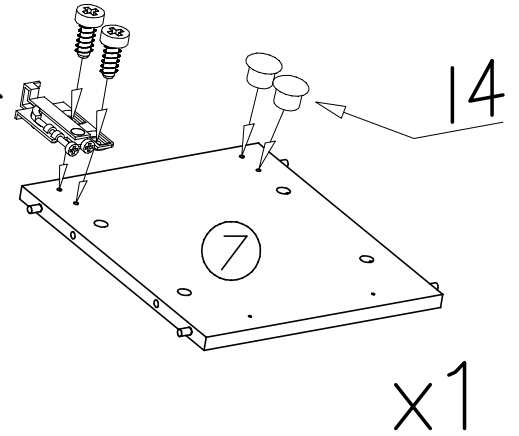
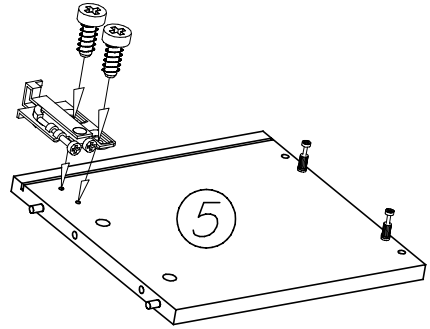
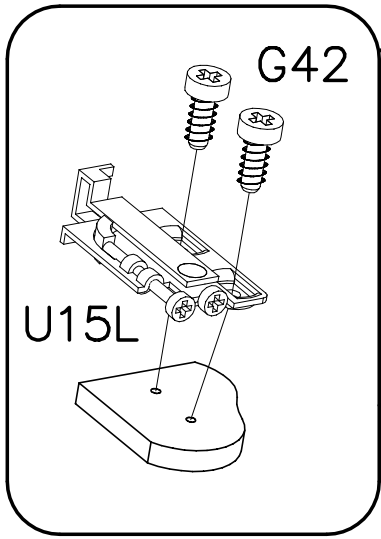


II

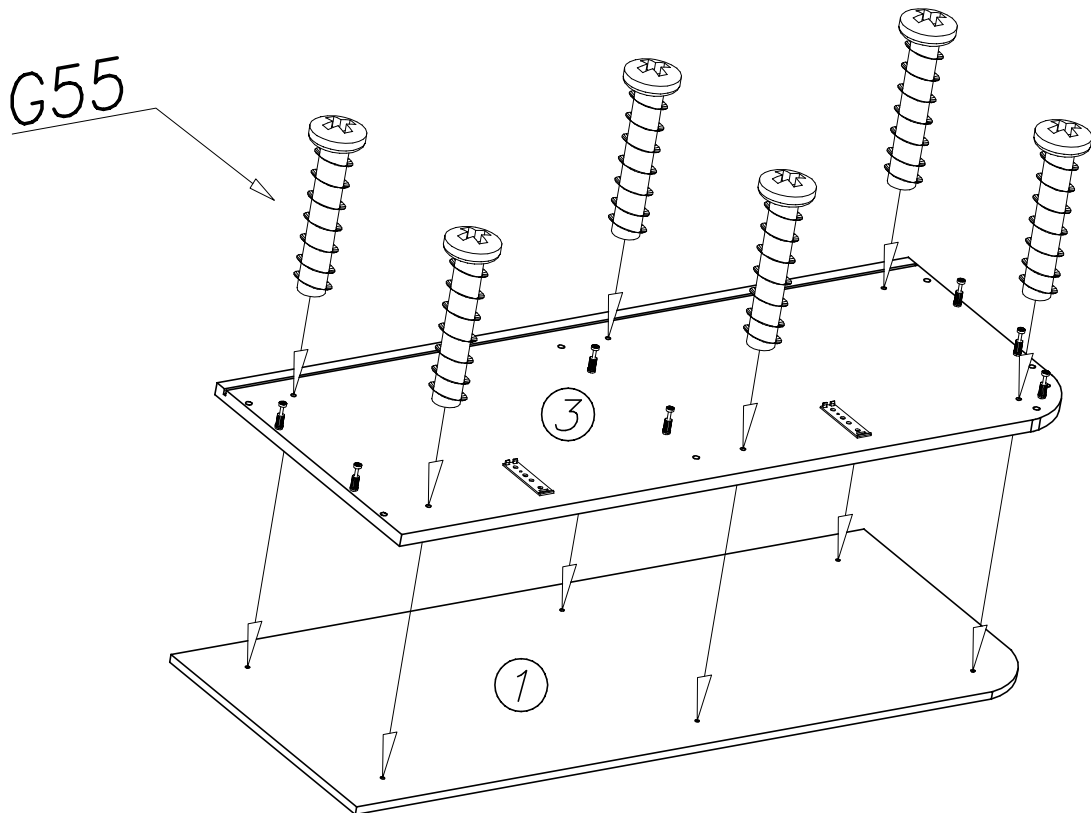
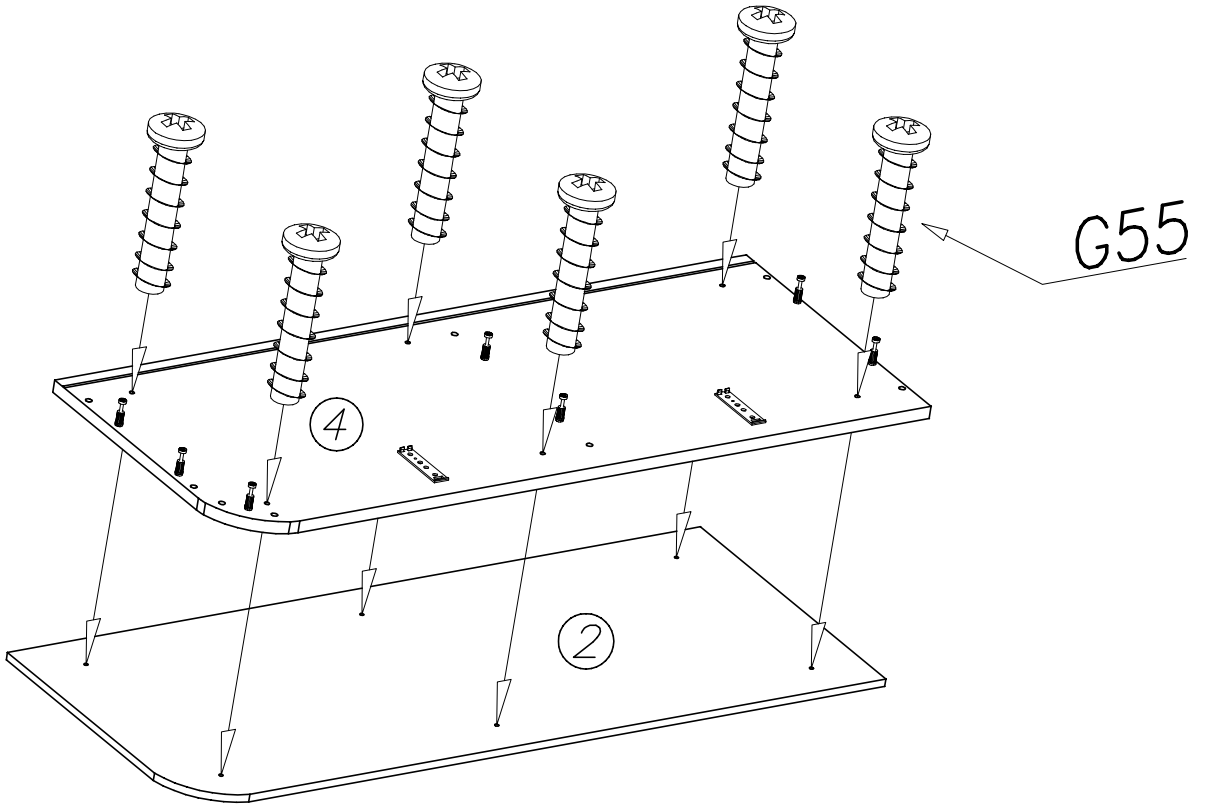




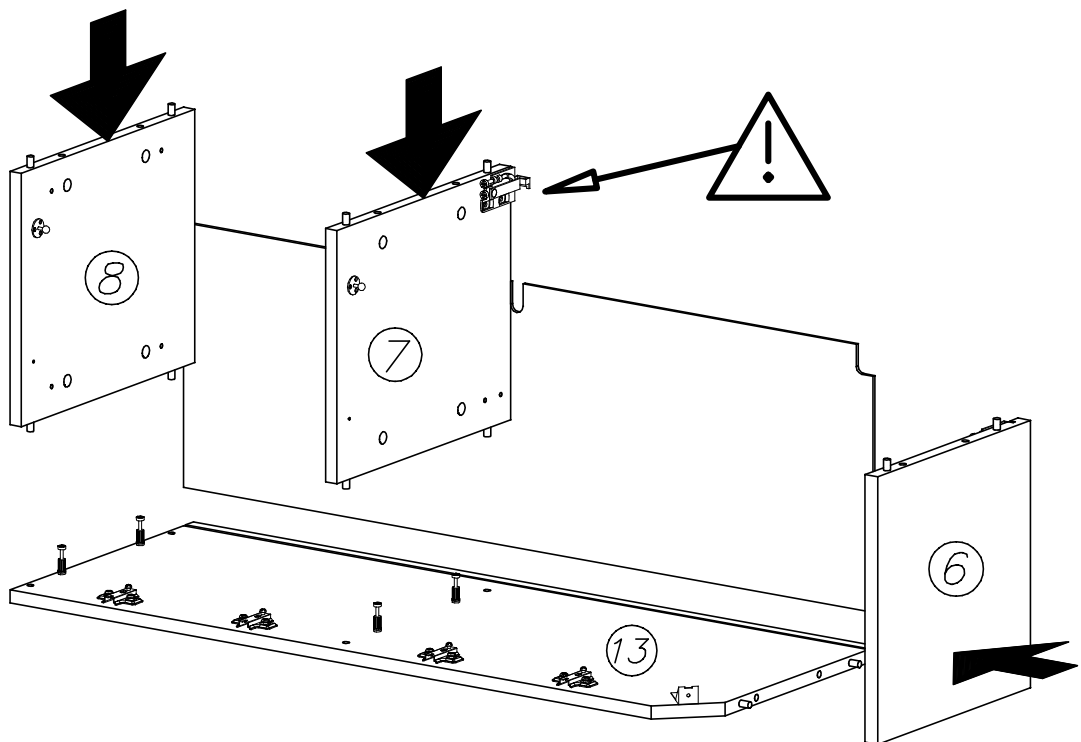
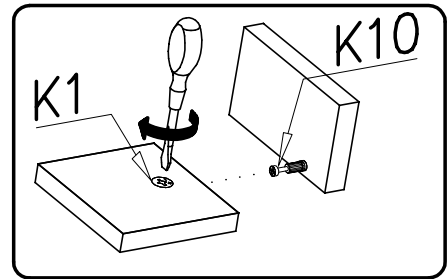
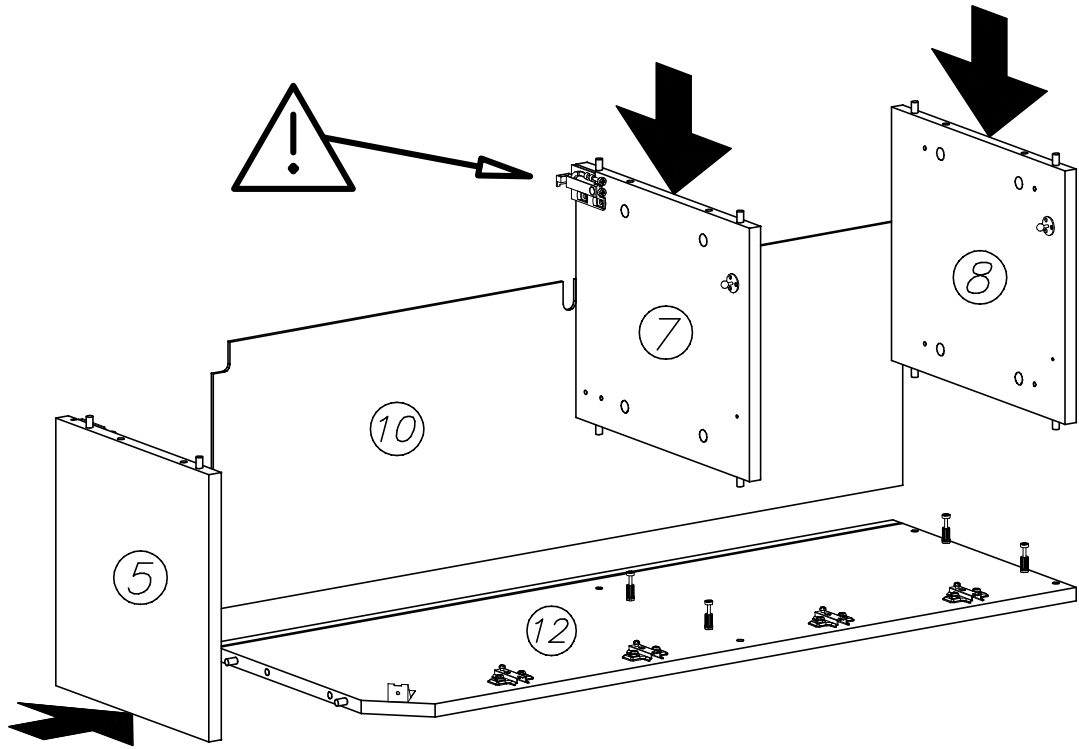
IV



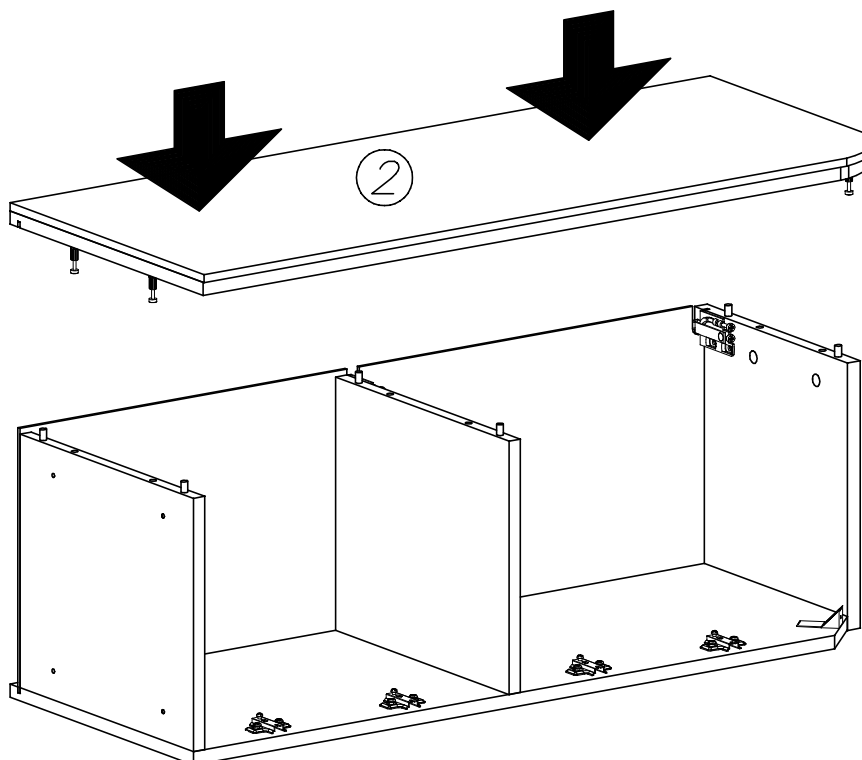
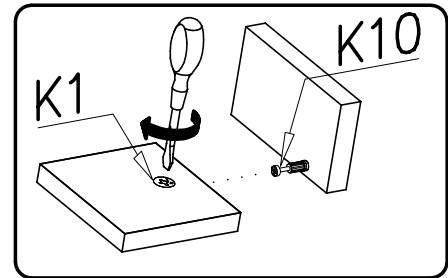
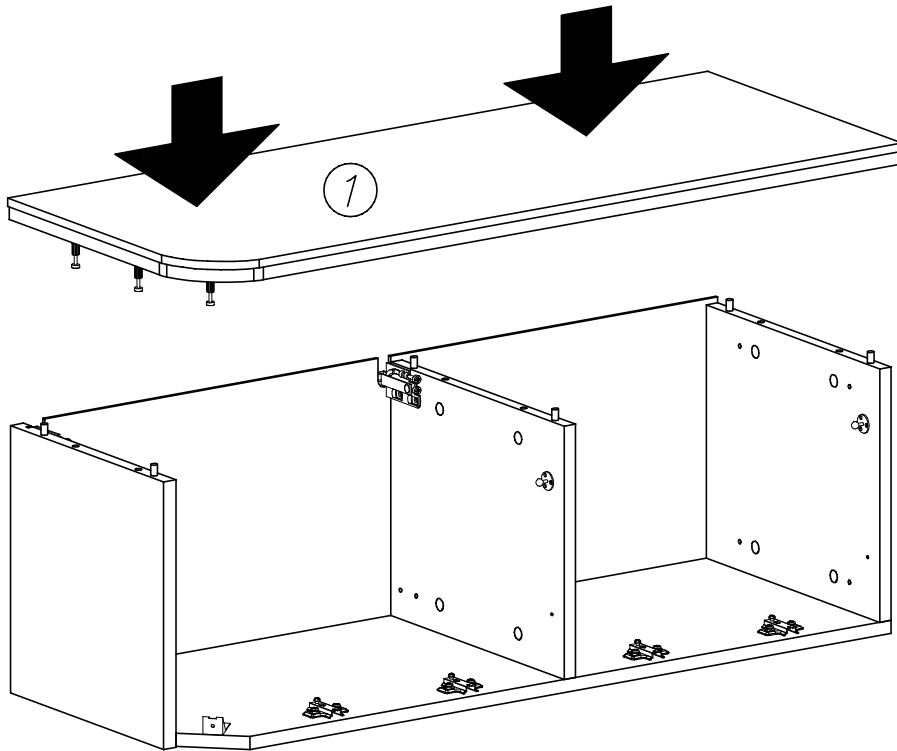
V



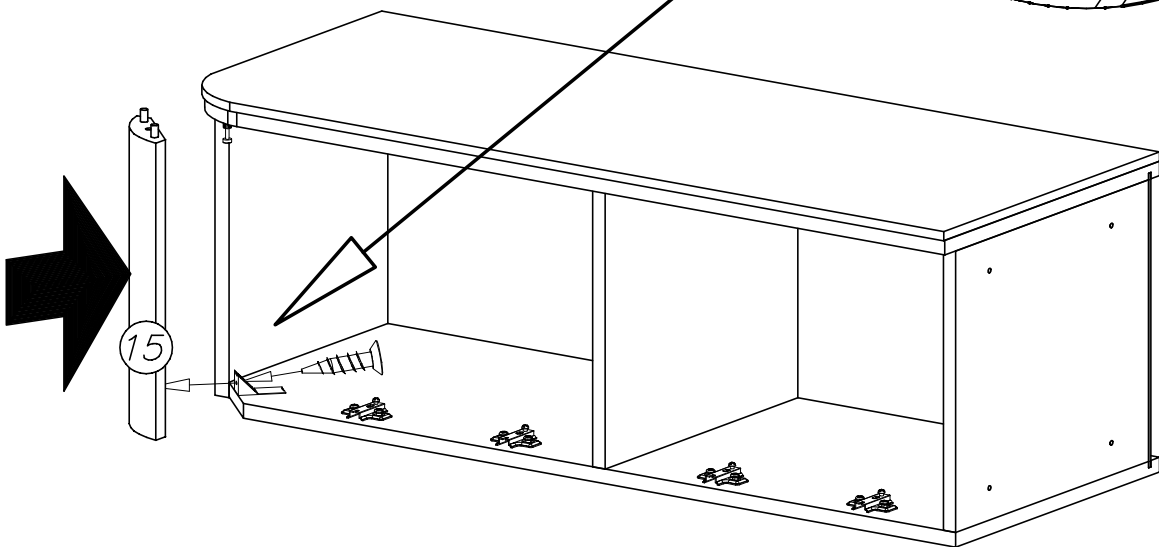
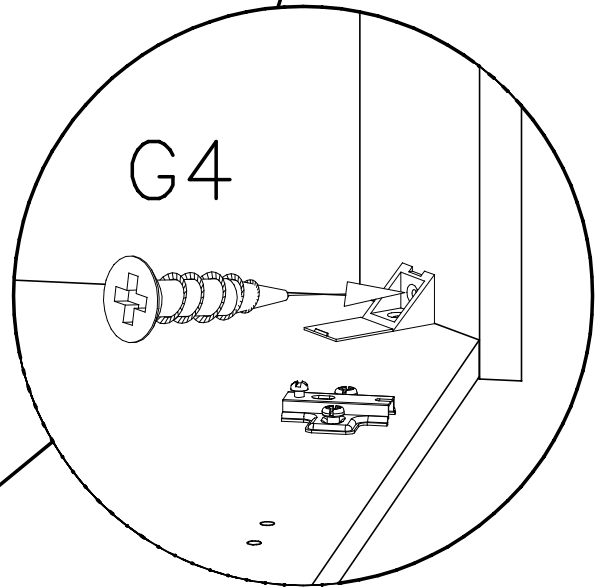
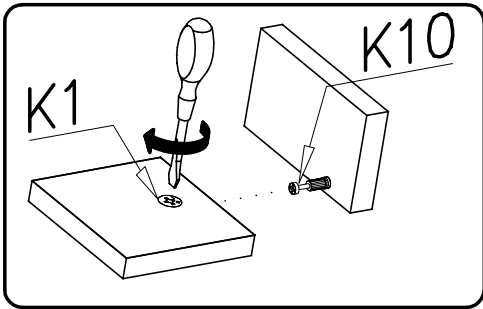
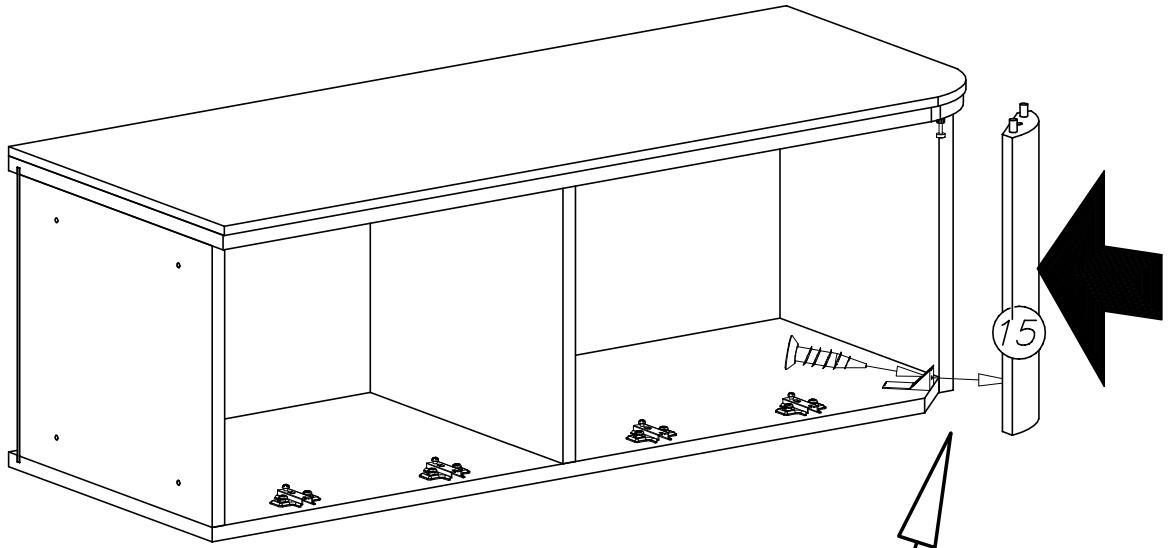
VI



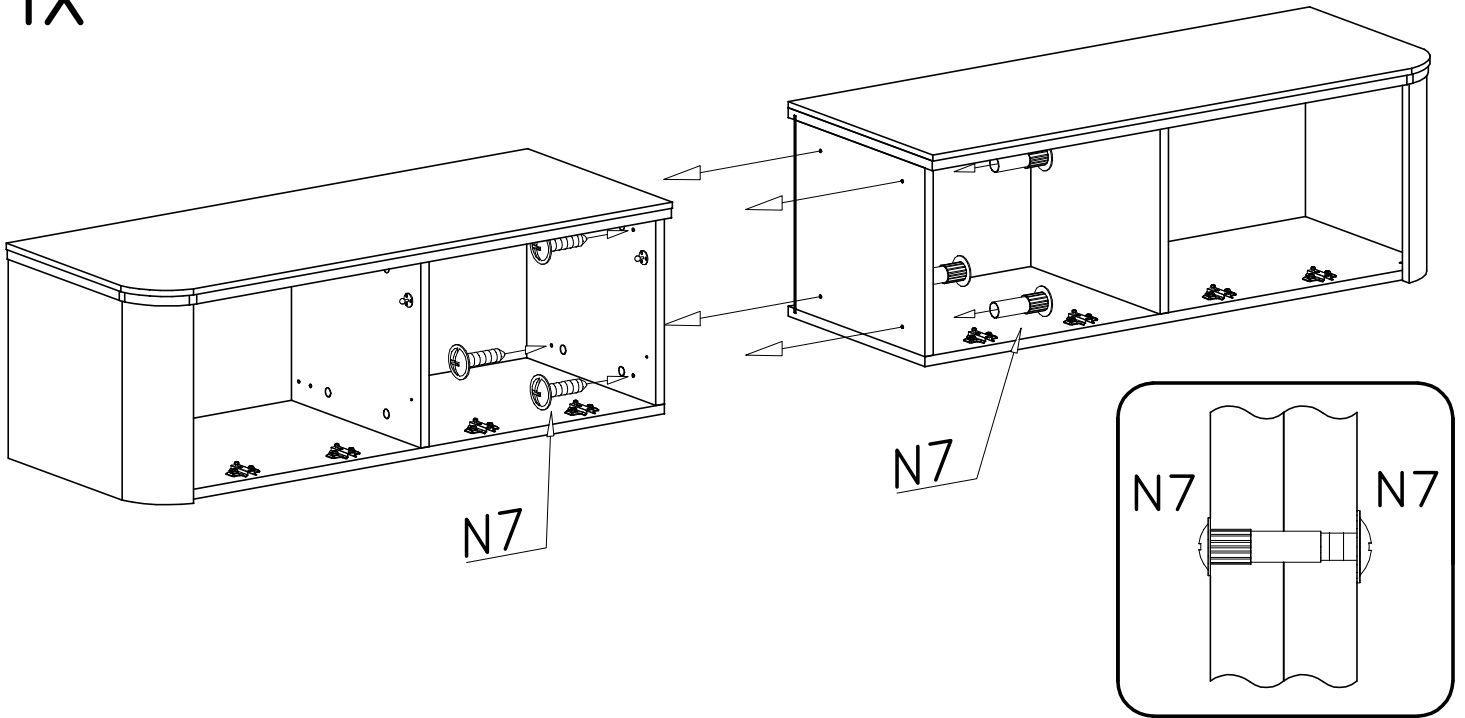
VII



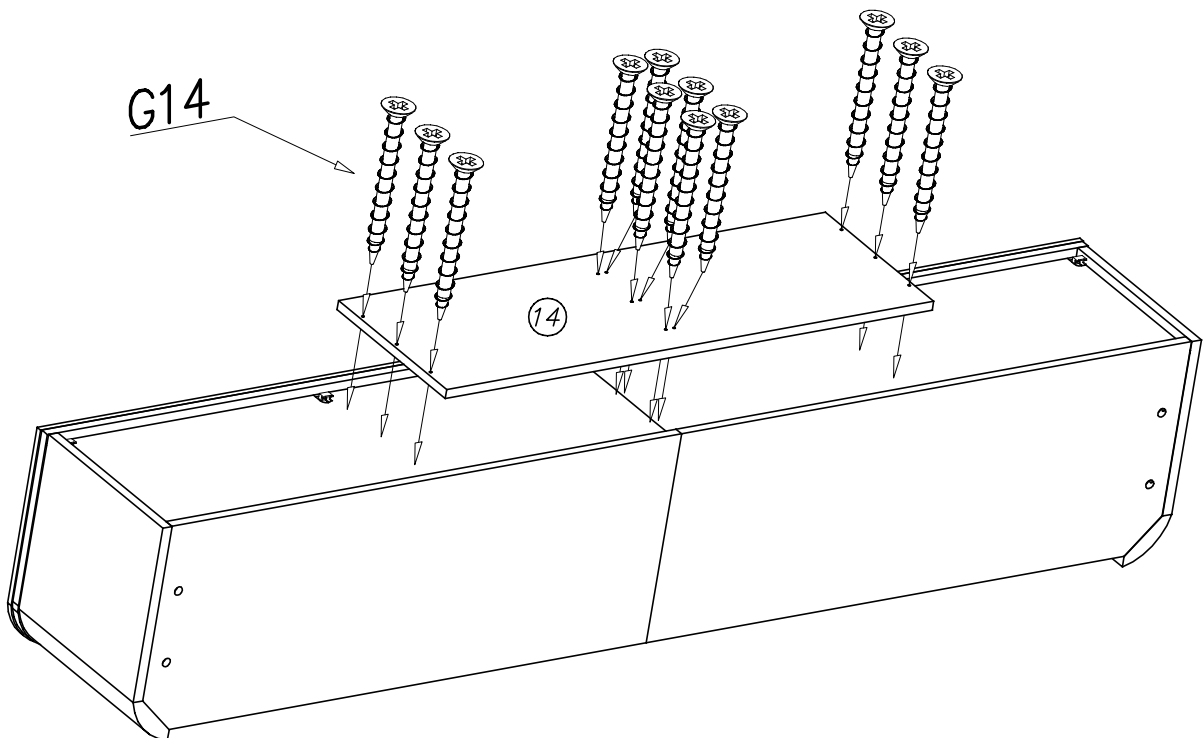
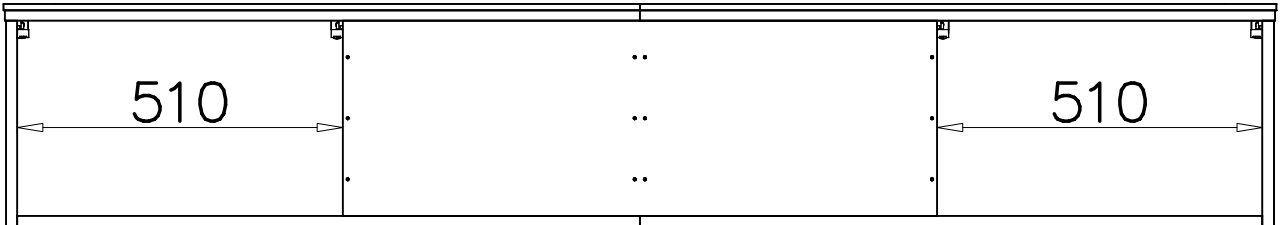
VIII



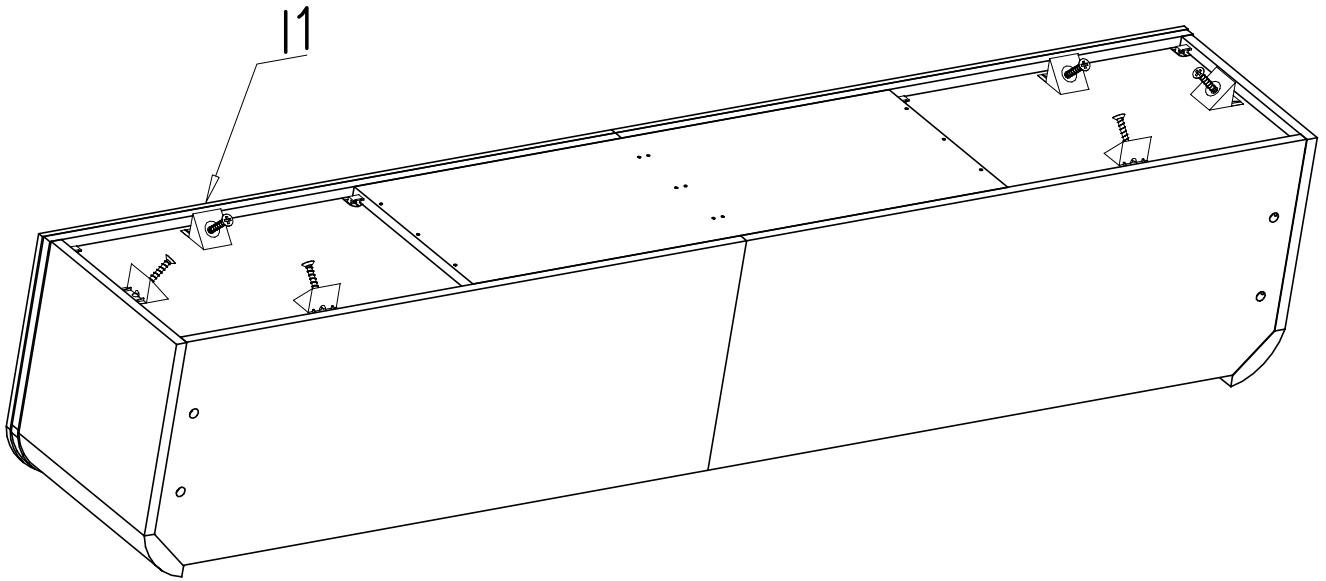
IX



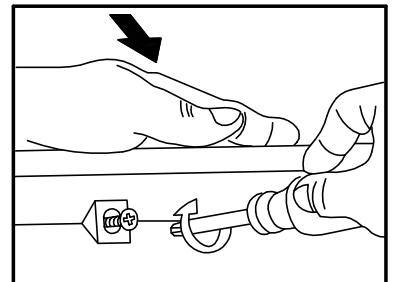
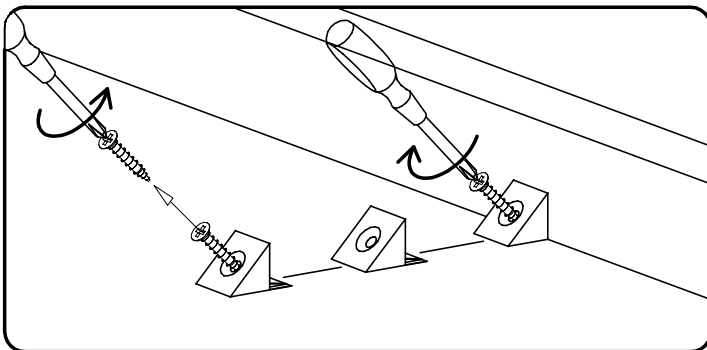
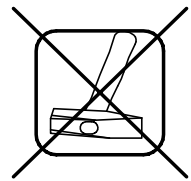
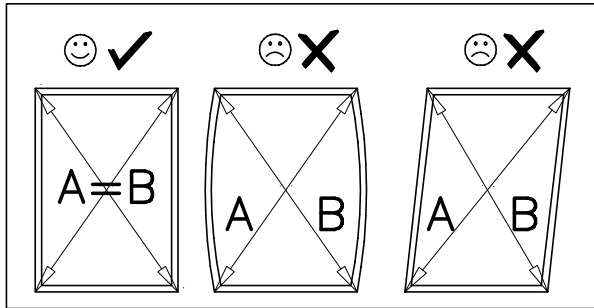
X



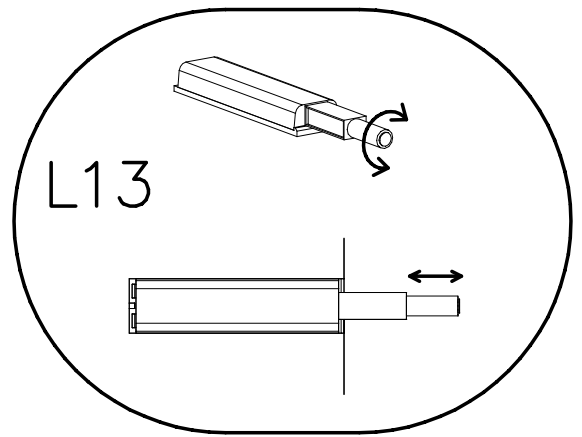
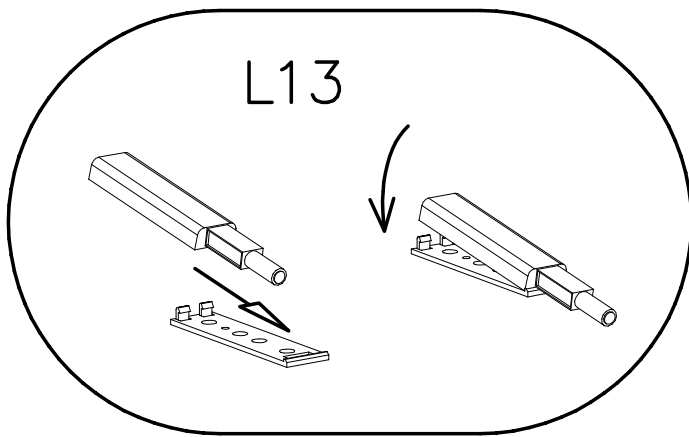
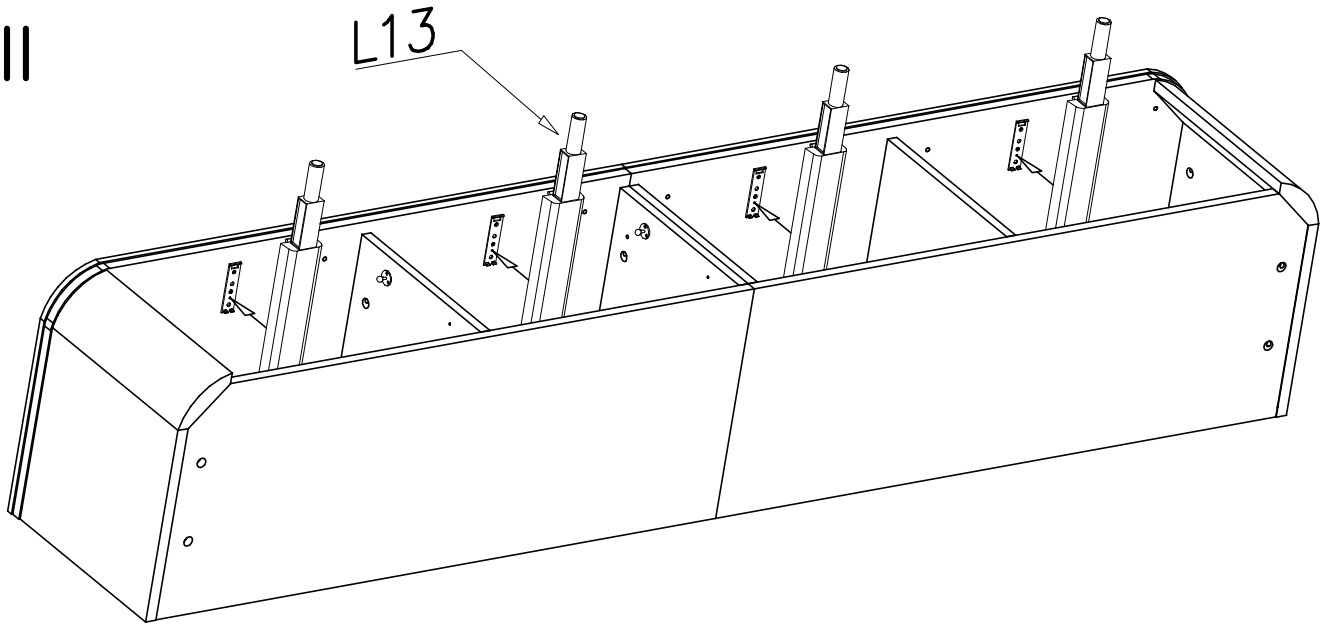
XI



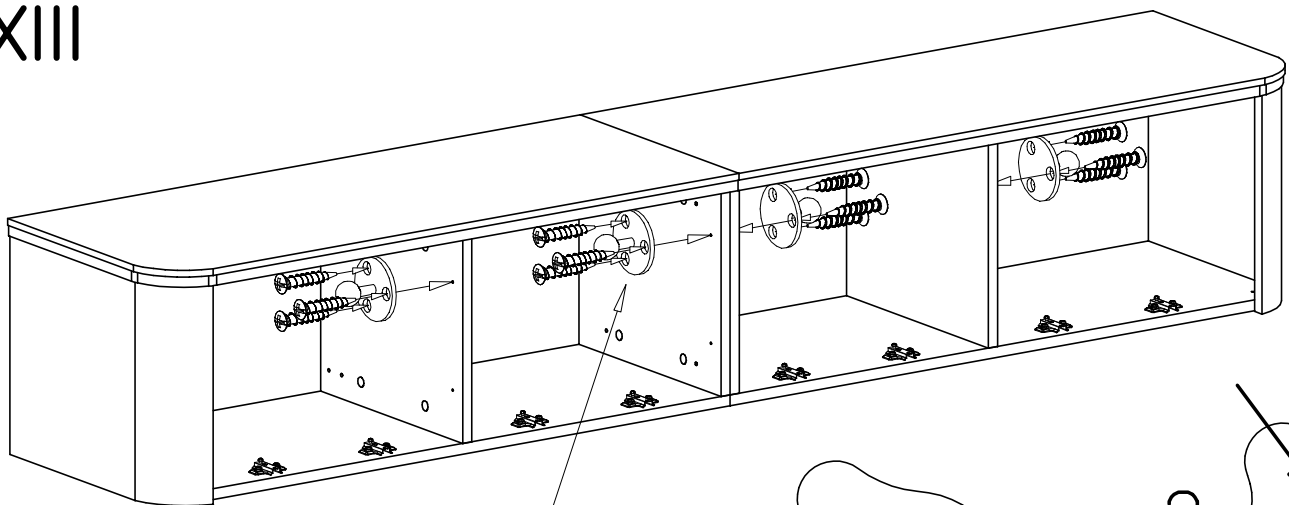
$A = B$



XII

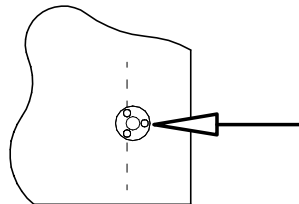


XIII

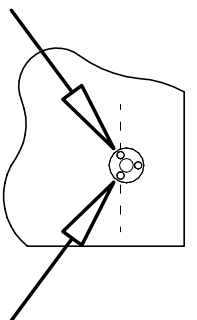


L8+G32

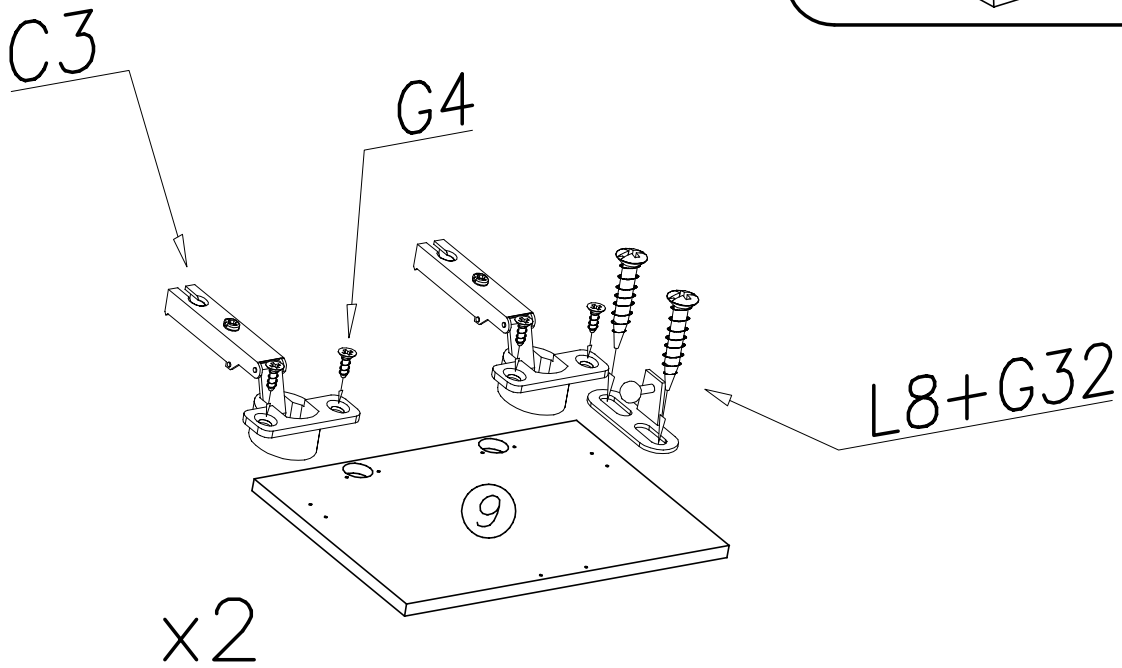
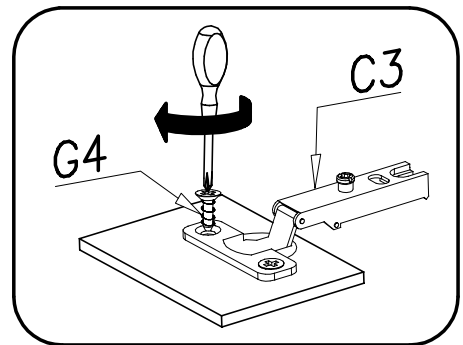
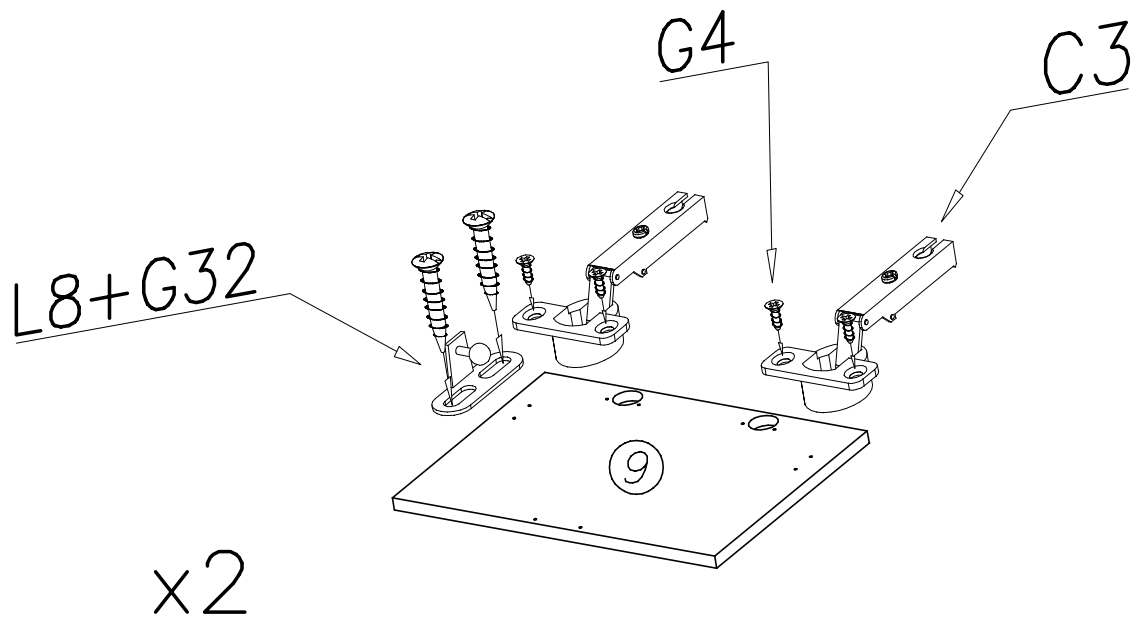
1.



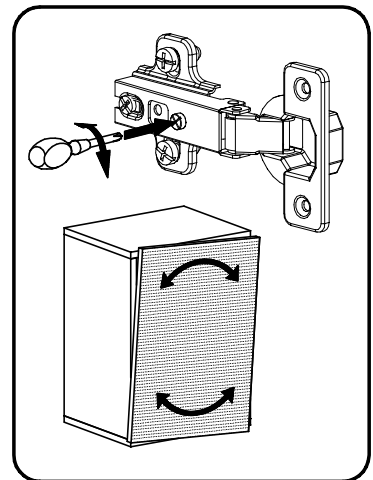
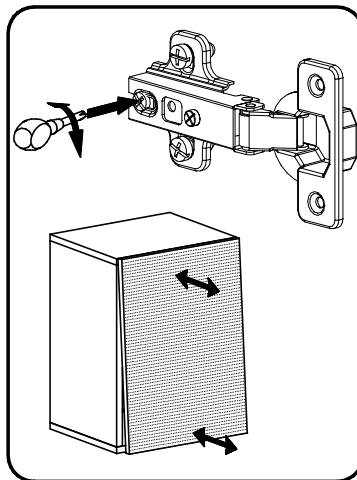
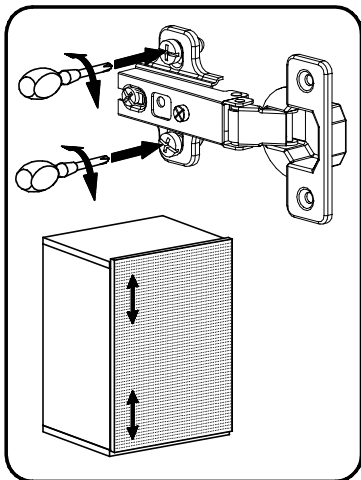
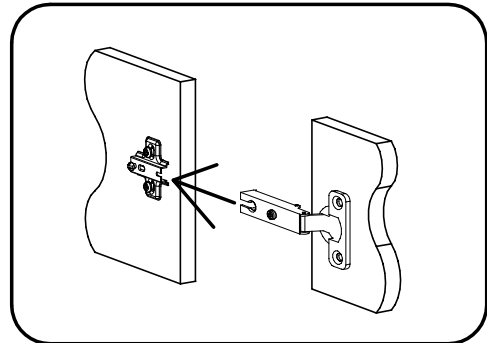
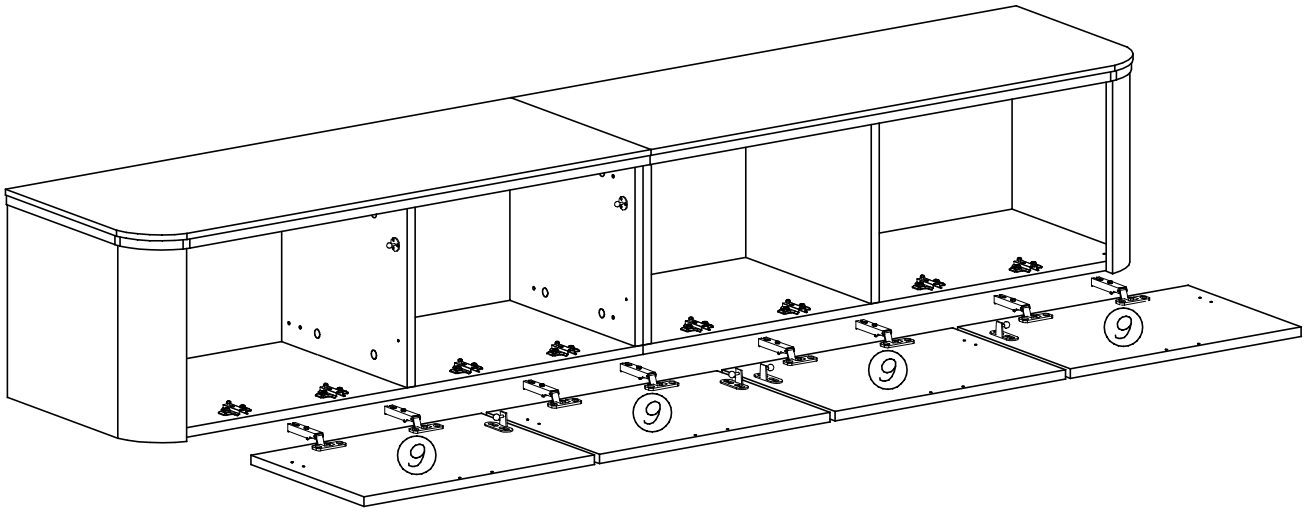
2.



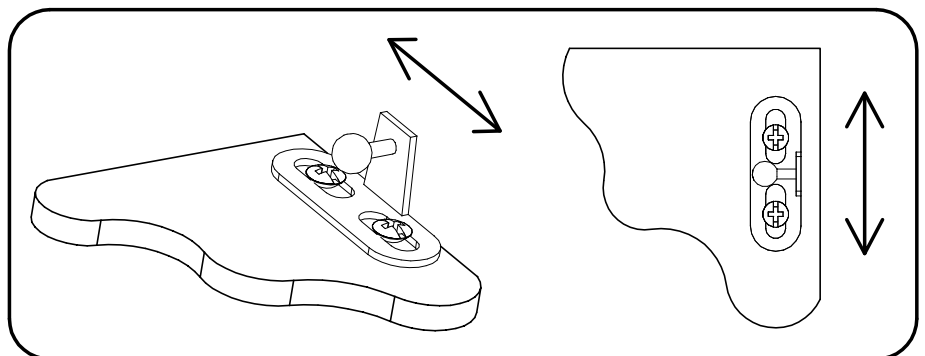
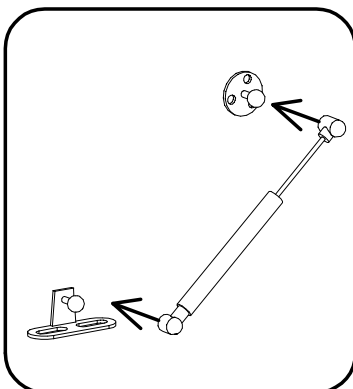
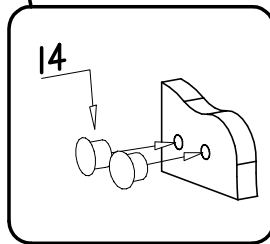
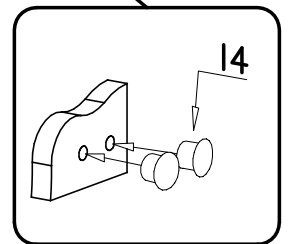
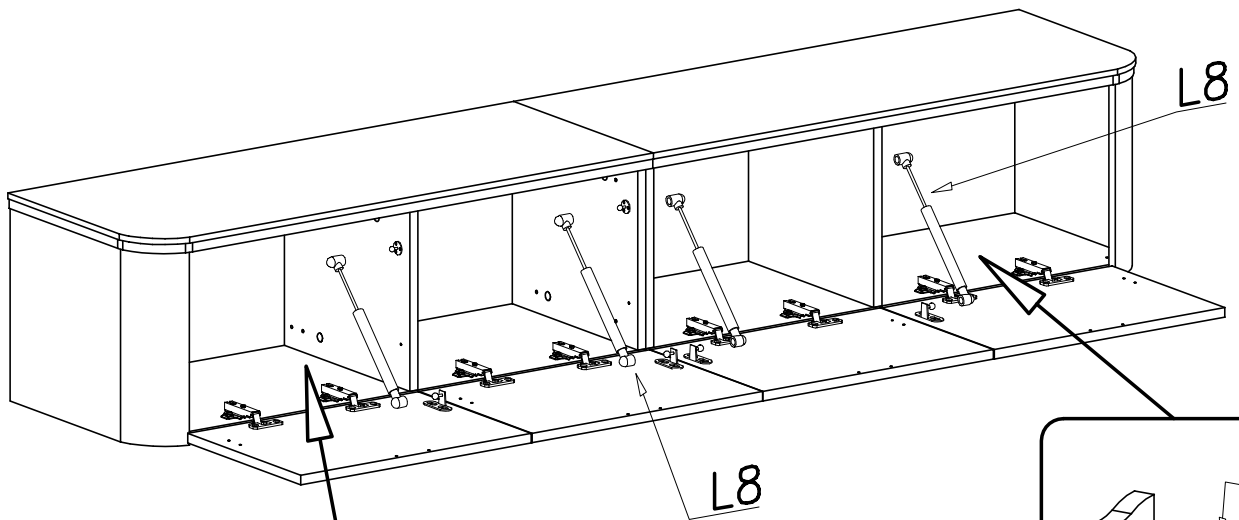
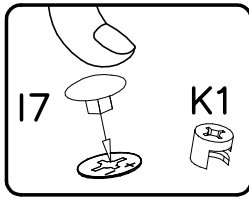
XIV



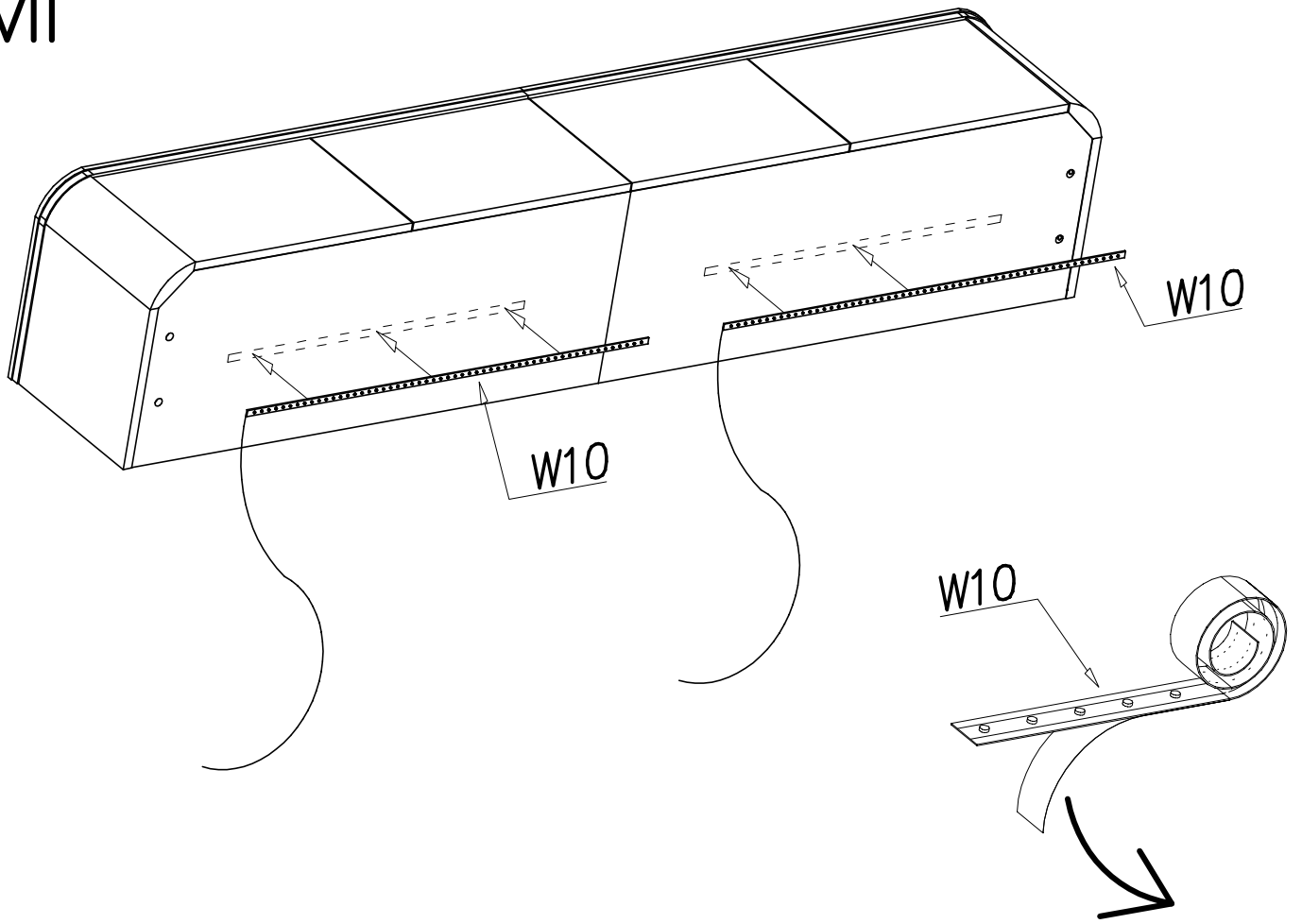
XV



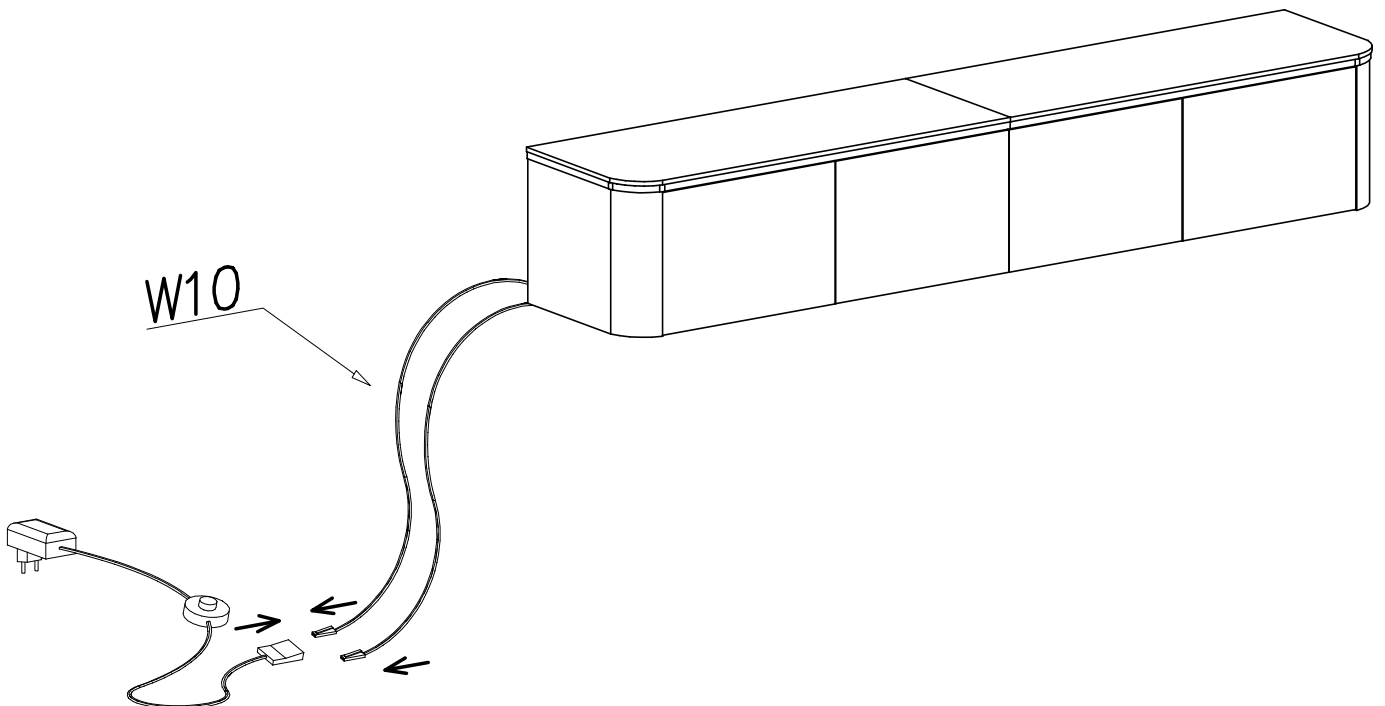
XVI



XVII

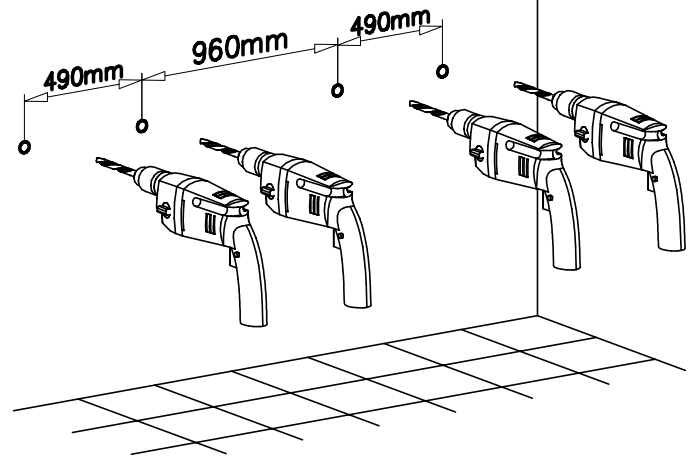
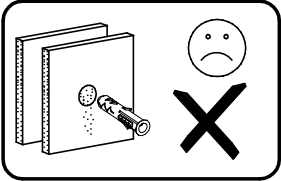
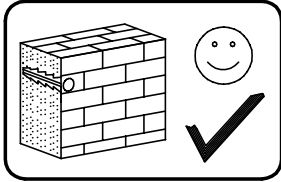


XVIII

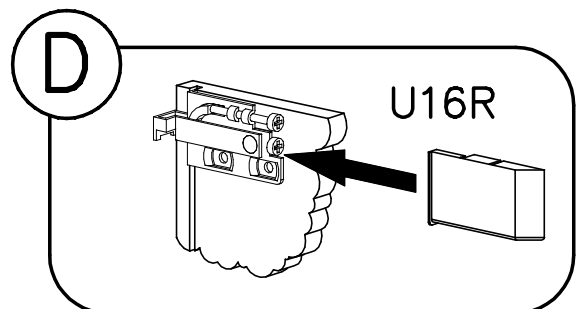
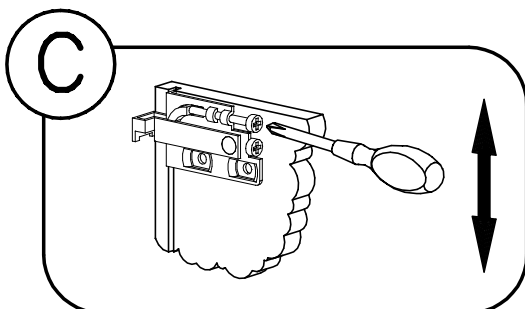
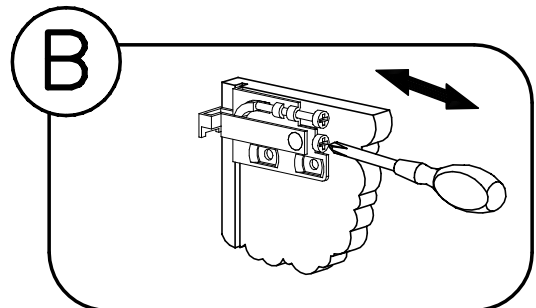
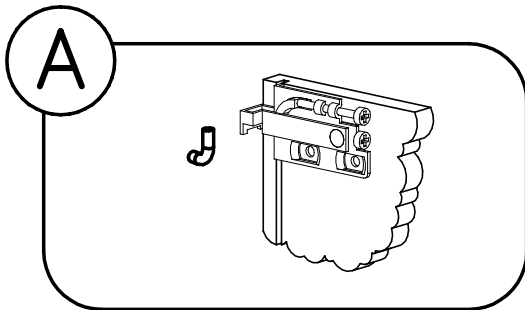
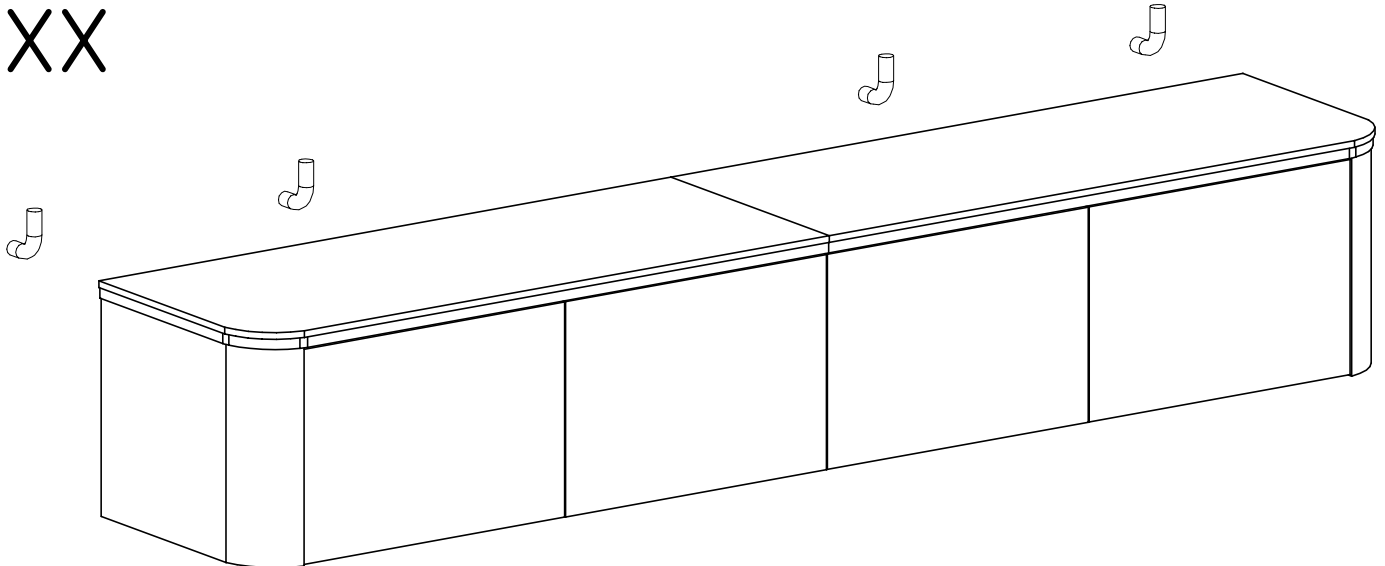


XIX

Ver. 2
(Hanging)

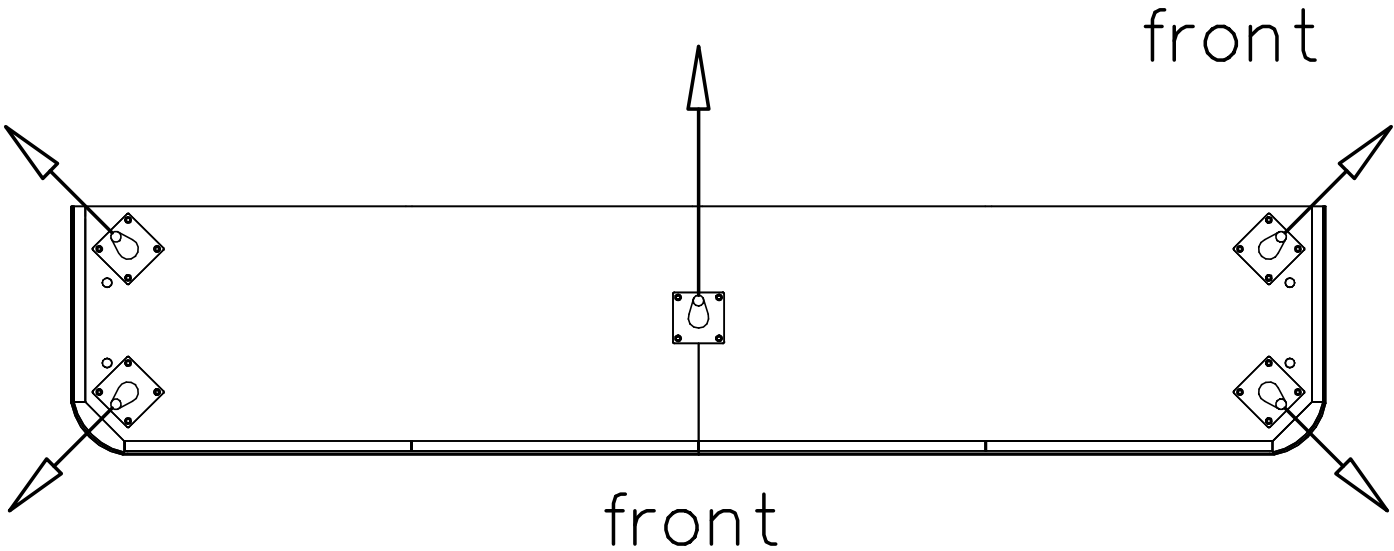
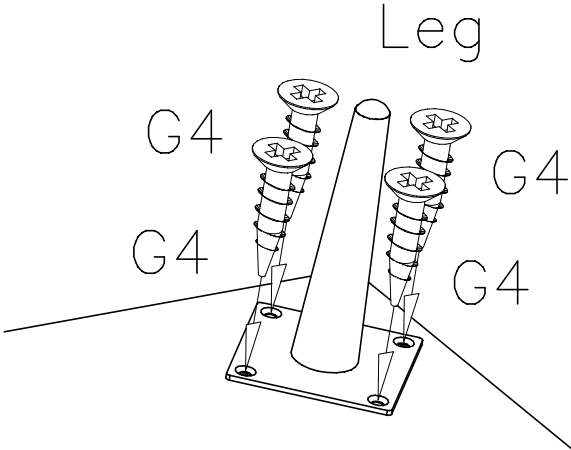
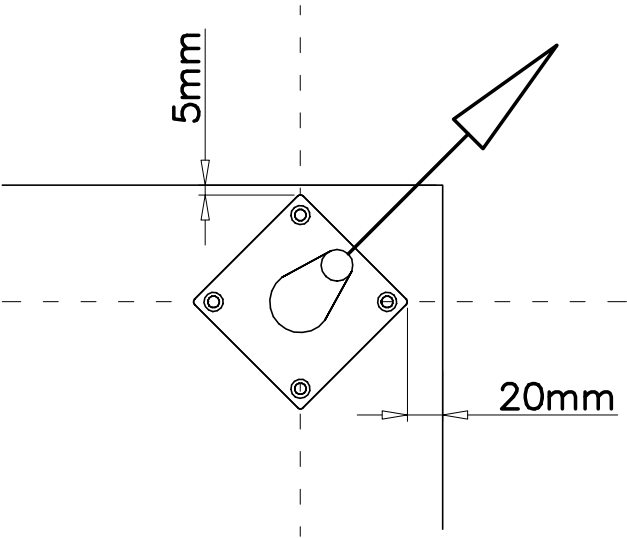
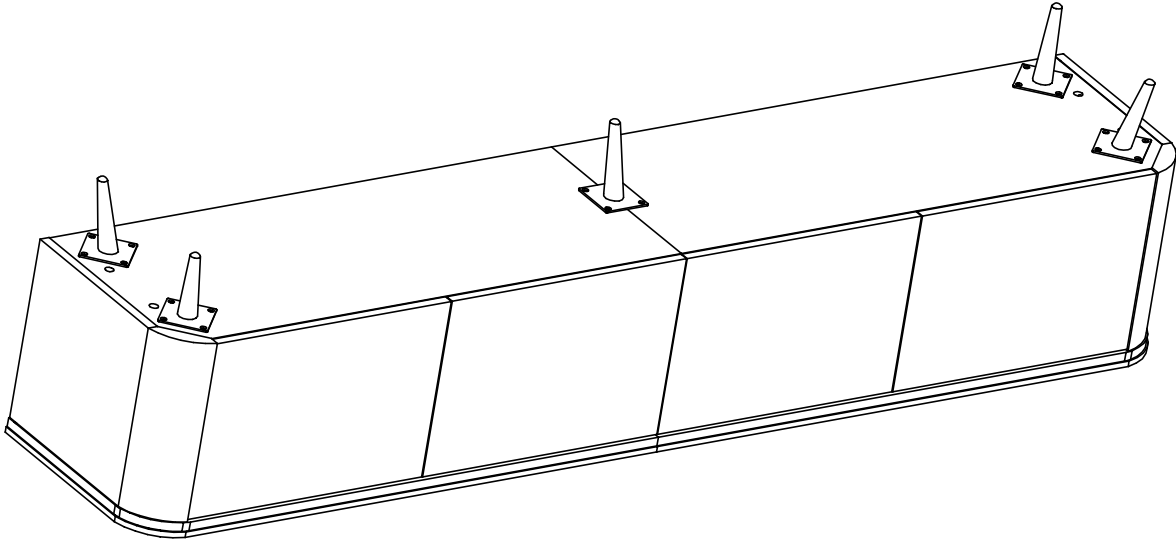


XX

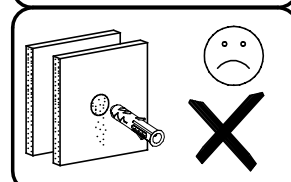
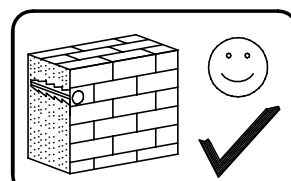
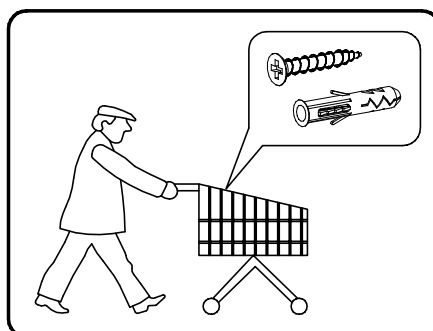
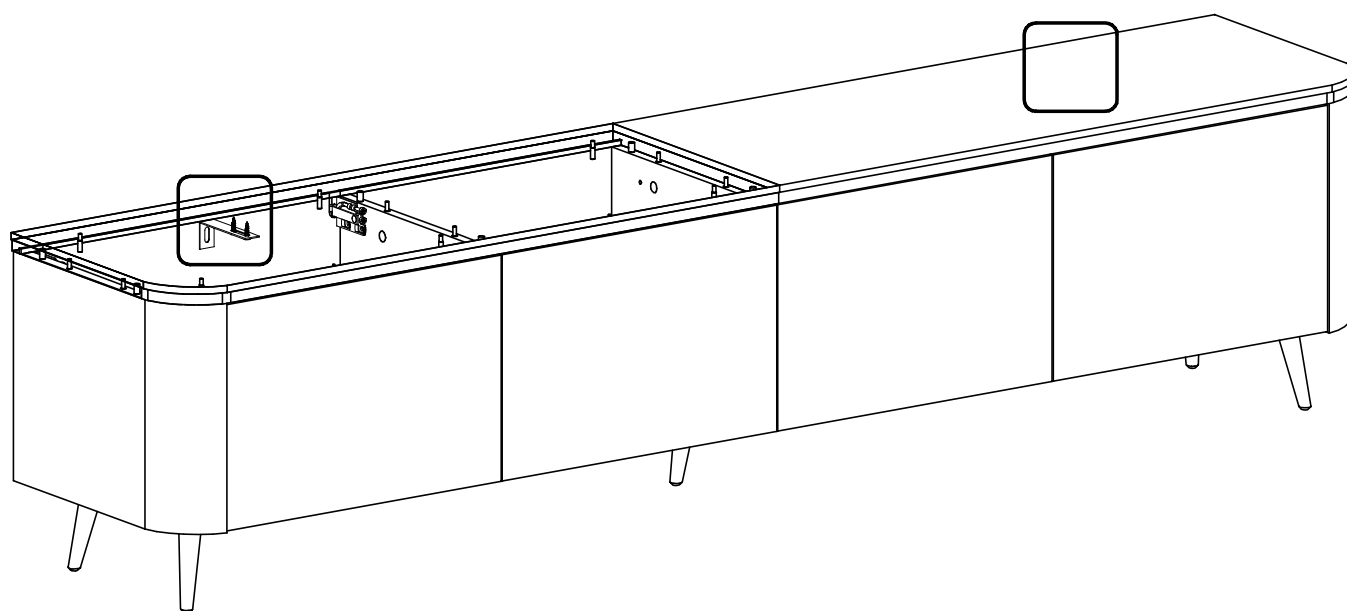
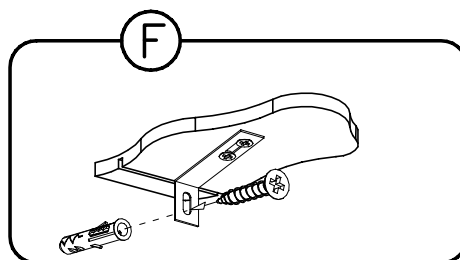
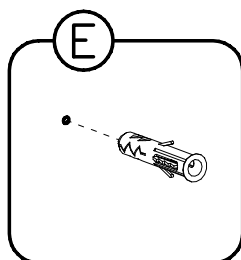
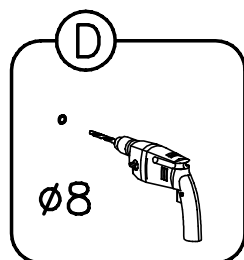
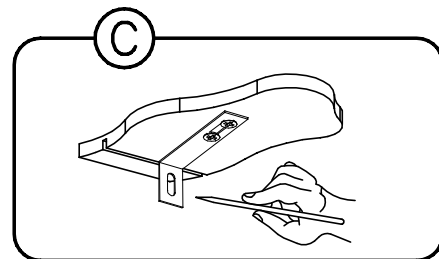
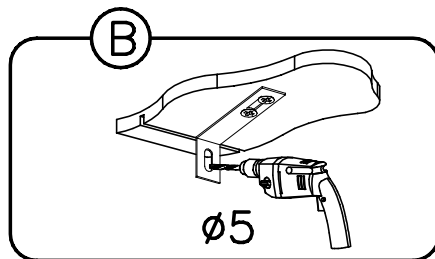
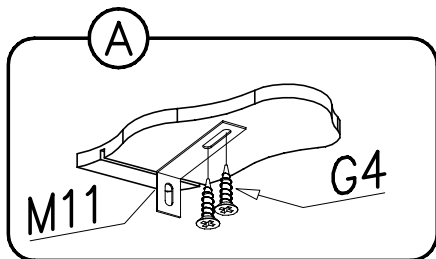


XXI

Ver. 1



XXII Ver. 1





Uwaga • Upozornění • Achtung • Attention • Caution • Figyelem
 Attenzione • Opgelet • Внимание • Atenție • Upozornenie • Dikkat

