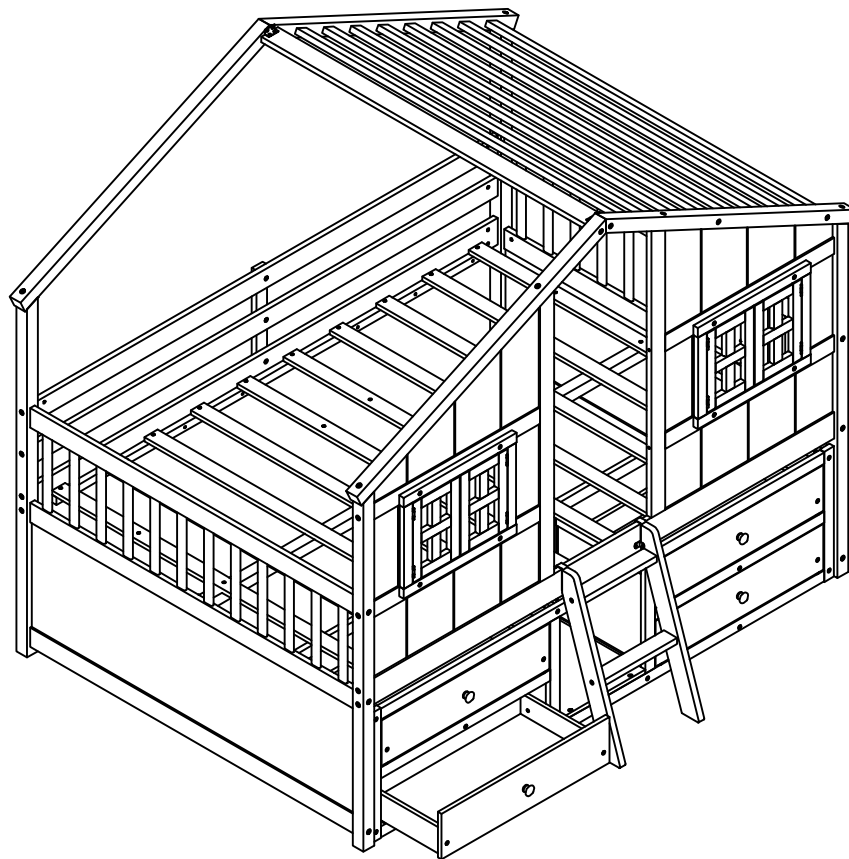
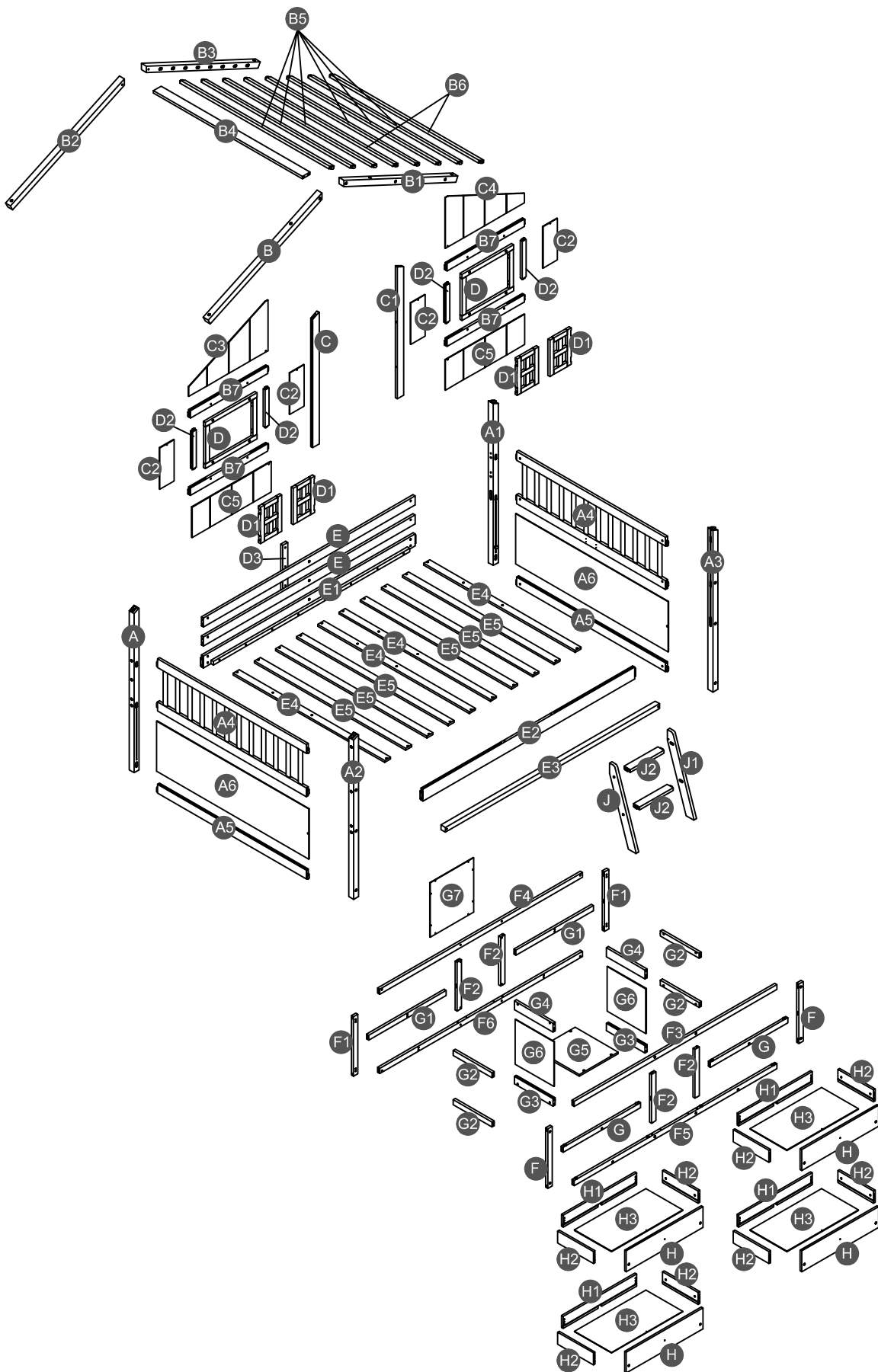


ASSEMBLY INSTRUCTIONS

FULL HOUSE LOFT BED WITH WINDOWS AND DRAWERS



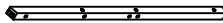

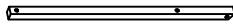
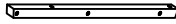
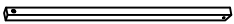


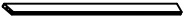

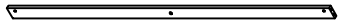

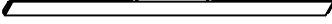
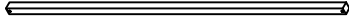
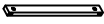
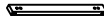








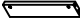


Detail View



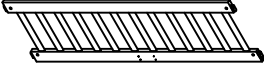
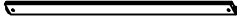

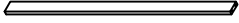


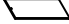


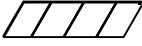
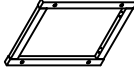







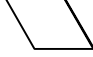

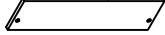

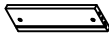
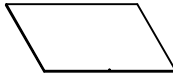
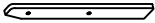


Part List

Hardware List (1-2)

A  Leg (Left Back) - 1pc	A1  Leg (Right Back) - 1pc	A2  Leg (Left Front) - 1pc
A3  Leg (Right Front) - 1pc	B  Upper (Left Front) - 1pc	B1  Upper (Right Front) - 1pc
B2  Upper (Left Back) - 1pc	B3  Upper (Right Back) - 1pc	B7  Horizontal bar center (front) - 4pcs
C  Vertical bar (left front) - 1pc	C1  Vertical bar (right front) - 1pc	E  Long guard rail (back) - 2pcs
E1  Side rail (back) - 1pc	E2  Side rail (front) - 1pc	E3  Lower support slat - 1pc
F  Leg (front) - 2pcs	F1  Leg (back) - 2pcs	F2  Vertical bar (front/back) - 4pcs
F3  Upper horizontal bar (front) - 1pc	F4  Upper horizontal bar (back) - 1pc	F5  Lower horizontal bar (front) - 1pc
F6  Lower horizontal bar (back) - 1pc	G  Horizontal bar (front) - 2pcs	G1  Horizontal bar (back) - 2pcs
G3  Lower divider horizontal bar - 2pcs	G4  Upper divider horizontal bar - 2pcs	

Part List



(2-2)

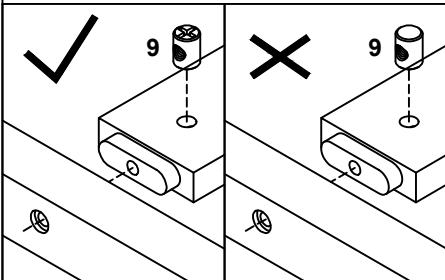
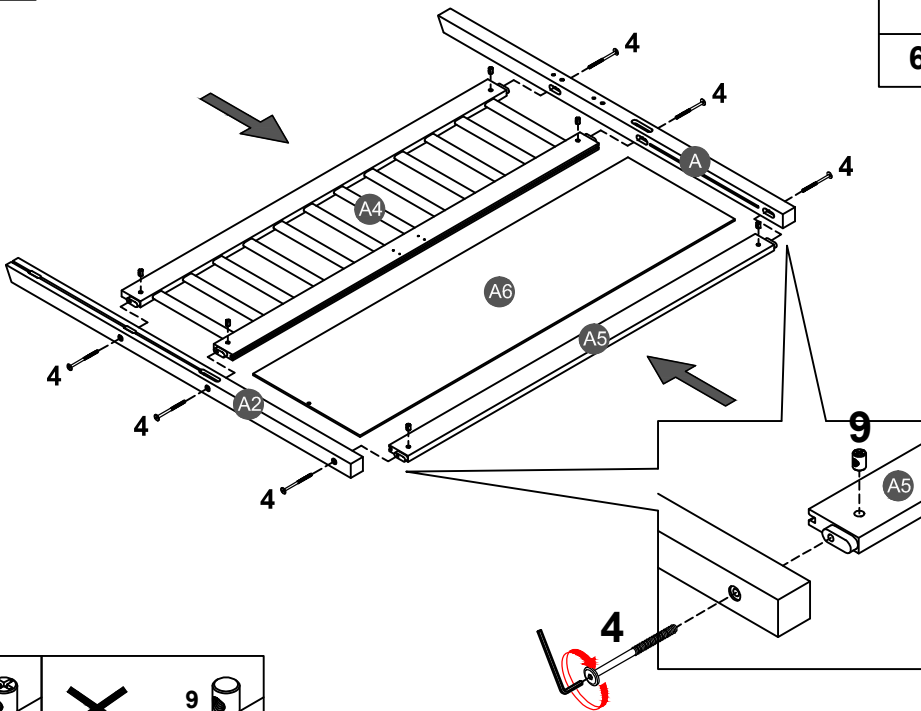
A4  Frame HB/FB - 2pcs	A5  Horizontal bar HB/FB - 2pcs	A6  Side panel HB/FB - 2pcs
B4  Upper horizontal bar center - 1pc	B5  Upper horizontal bar - 6pcs	B6  Upper horizontal bar center - 2pcs
C2  Side panel (front) - 4pcs	C3  Upper side panel (left front) - 1pc	C4  Upper side panel (right front) - 1pc
C5  Lower side panel (front) - 2pcs	D  Frame window - 2pcs	D1  Window - 4pcs
D2  Vertical bar (front) - 4pcs	D3  Vertical guard rail - 1pc	E4  Slats - 4pcs
E5  Slats - 6pcs	G2  Horizontal bar (left/right) - 4pcs	G5  Bottom panel - 1pc
G6  Divider panel - 2pcs	G7  Back panel - 1pc	H  Drawer front panel - 4pcs
H1  Drawer back panel - 4pcs	H2  Left / Right drawer panel - 8pcs	H3  Bottom drawer panel - 4pcs
J  Left side ladder - 1pc	J1  Right side ladder - 1pc	J2  Step ladder - 2pcs

Hardware List (1-2)

<p>1</p>  <p style="text-align: center;">Ø10*40mm</p> <p style="text-align: center;">Wood dowel (4pcs)</p>	<p>2</p>  <p style="text-align: center;">Ø8*30mm</p> <p style="text-align: center;">Wood dowel (62pcs)</p>	<p>3</p>  <p style="text-align: center;">(Ø15)1/4"*100mm</p> <p style="text-align: center;">Hex-Head bolts (16pcs)</p>
<p>4</p>  <p style="text-align: center;">(Ø15)1/4"*80mm</p> <p style="text-align: center;">Hex-Head bolts (24pcs)</p>	<p>5</p>  <p style="text-align: center;">(Ø12)1/4"*70mm</p> <p style="text-align: center;">Hex-Head bolts (8pcs)</p>	<p>6</p>  <p style="text-align: center;">(Ø12)1/4"*60mm</p> <p style="text-align: center;">Hex-Head bolts (44pcs)</p>
<p>7</p>  <p style="text-align: center;">(Ø12)1/4"*40mm</p> <p style="text-align: center;">Hex-Head bolts (2pcs)</p>	<p>8</p>  <p style="text-align: center;">(Ø12)1/4"*30mm</p> <p style="text-align: center;">Hex-Head bolts (11pcs)</p>	<p>9</p>  <p style="text-align: center;">1/4"*15 (9.5mm)</p> <p style="text-align: center;">Horizontal-hole bolts(92pcs)</p>
<p>10</p>  <p style="text-align: center;">Ø4*30mm</p> <p style="text-align: center;">Wood screws (24pcs)</p>	<p>11</p>  <p style="text-align: center;">(Ø12)1/4"*65mm</p> <p style="text-align: center;">Hex-Head bolts (6pcs)</p>	<p>12</p>  <p style="text-align: center;">(Ø12)1/4"*40mm</p> <p style="text-align: center;">Hex-Head bolts (4pcs)</p>
<p>13</p>  <p style="text-align: center;">38*16.5*1.2mm</p> <p style="text-align: center;">Hinges (8pcs)</p>	<p>14</p>  <p style="text-align: center;">60*38*10mm</p> <p style="text-align: center;">Lock (2pcs)</p>	<p>15</p>  <p style="text-align: center;">40*17*47*1.6mm</p> <p style="text-align: center;">Metal bracket (2pcs)</p>
<p>16</p>  <p style="text-align: center;">80*28*20*(2mm)</p> <p style="text-align: center;">Hooks (2pcs)</p>	<p>17</p>  <p style="text-align: center;">21*21*17*1.7mm</p> <p style="text-align: center;">Metal bracket (2pcs)</p>	<p>18</p>  <p style="text-align: center;">Ø4*20mm</p> <p style="text-align: center;">Wood screws (10pcs)</p>
<p>19</p>  <p style="text-align: center;">Ø3.5*15mm</p> <p style="text-align: center;">Wood screws (80pcs)</p>	<p>20</p>  <p style="text-align: center;">Ø3.5*15mm</p> <p style="text-align: center;">Wood screws (8pcs)</p>	<p>21</p>  <p style="text-align: center;">Ø38*31mm</p> <p style="text-align: center;">Pine Knob (4pcs)</p>
<p>22</p>  <p style="text-align: center;">3/16"*25mm</p> <p style="text-align: center;">Ph zinc(Knob) (4pcs)</p>	<p>23</p>  <p style="text-align: center;">365*58*28 mm</p> <p style="text-align: center;">Lower slider drawer (4pcs)</p>	<p>24</p>  <p style="text-align: center;">340*30 mm</p> <p style="text-align: center;">Upper slider drawer (4pcs)</p>
<p>25</p>  <p style="text-align: center;">(Ø13)1/4"*14mm</p> <p style="text-align: center;">Connect bolt (2pcs)</p>	<p>26</p>  <p style="text-align: center;">116*40*27mm</p> <p style="text-align: center;">Metal bracket (2pcs)</p>	<p>27</p>  <p style="text-align: center;">75*20*2mm</p> <p style="text-align: center;">Metal bracket (2pcs)</p>
<p>28</p>  <p style="text-align: center;">(1/4")4.5*58mm</p> <p style="text-align: center;">Allen key (2pcs)</p>	 <div style="border: 1px solid black; padding: 5px; width: fit-content; margin: 0 auto;"> <p style="text-align: center; margin: 0;">ASSEMBLY TOOLS REQUIRED (NOT INCLUDED)</p>  <p style="text-align: center; font-size: small; margin: 0;">PLEASE BE CAREFUL DO NOT DAMAGE THE HOLE POSITION WHEN YOU USE POWER TOOLS !</p> </div>	



STEP 1:

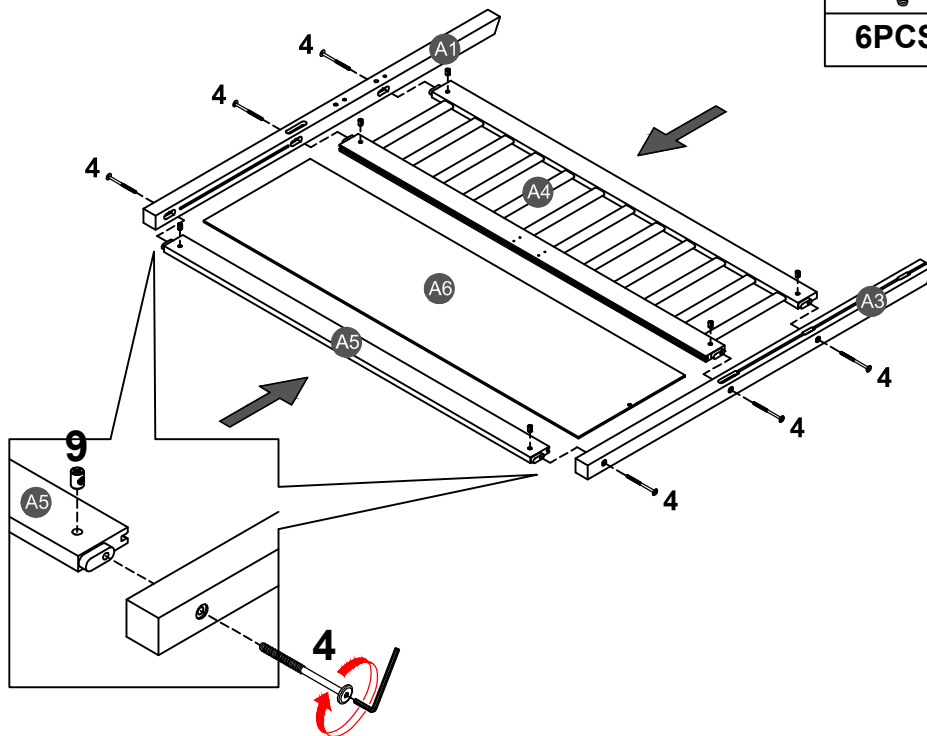
4		9	
6PCS		6PCS	




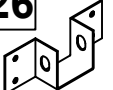
Note: Part 9 will face up with the "x" mark on it, otherwise it cannot be tightened

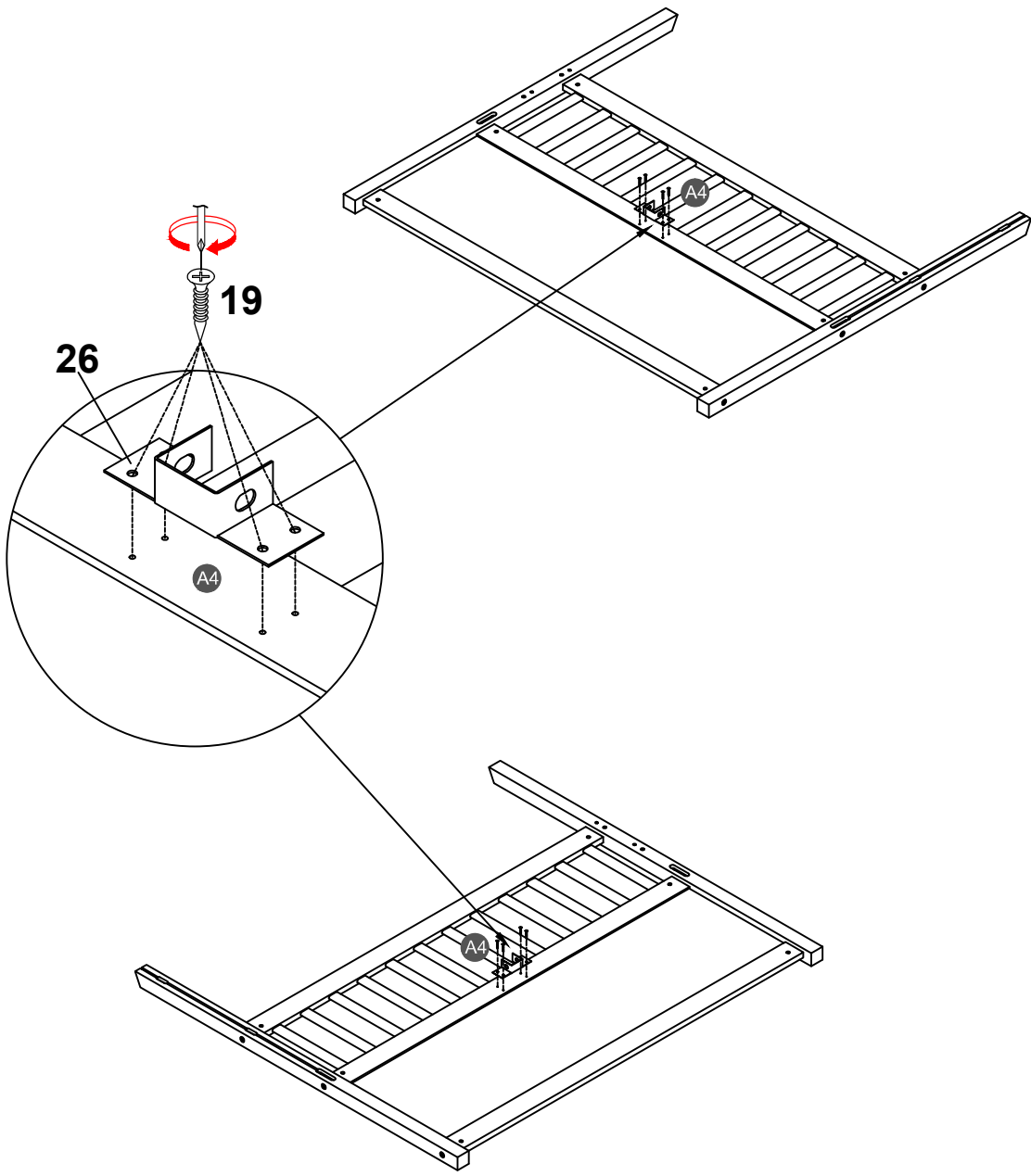
STEP 2:

4		9	
6PCS		6PCS	

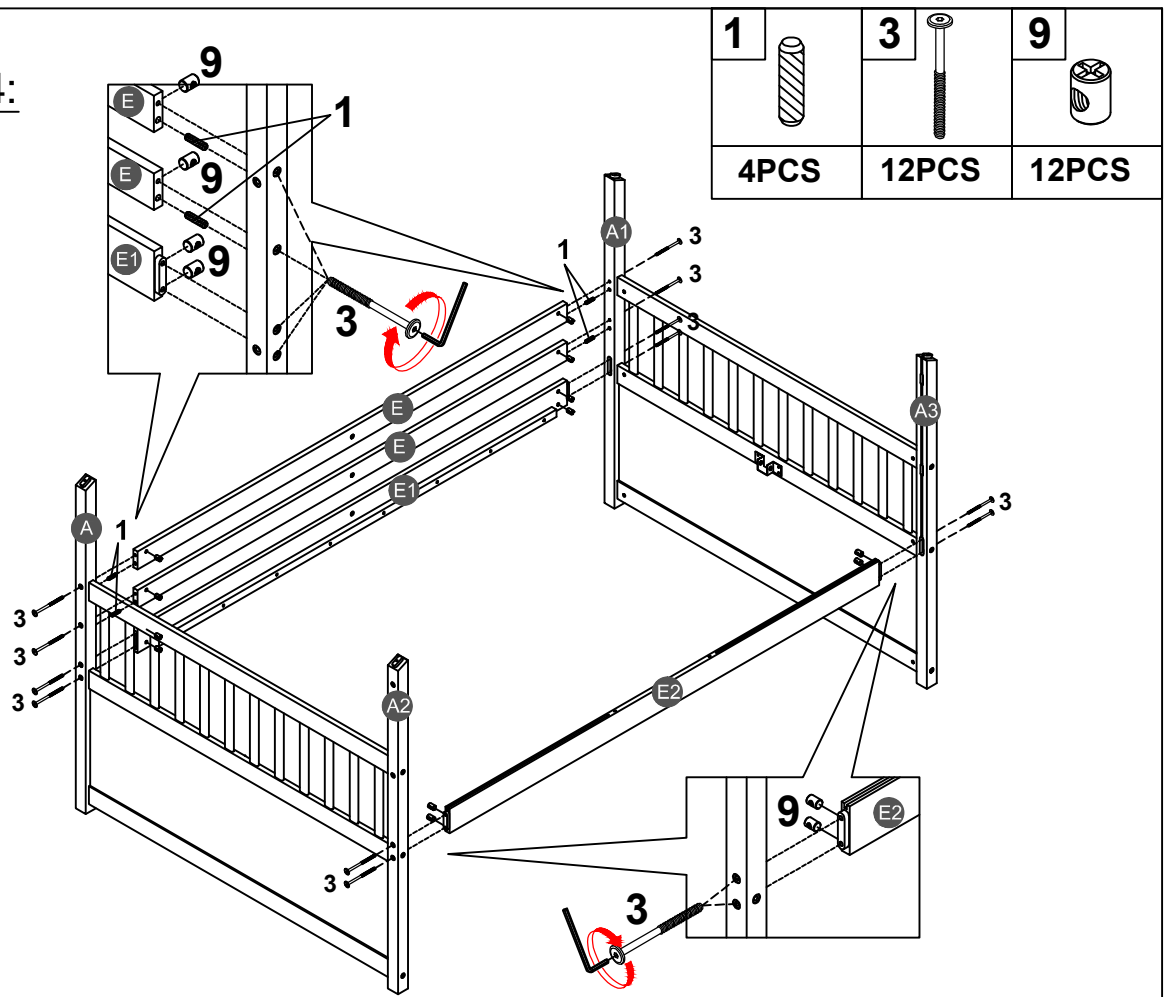


STEP 3:

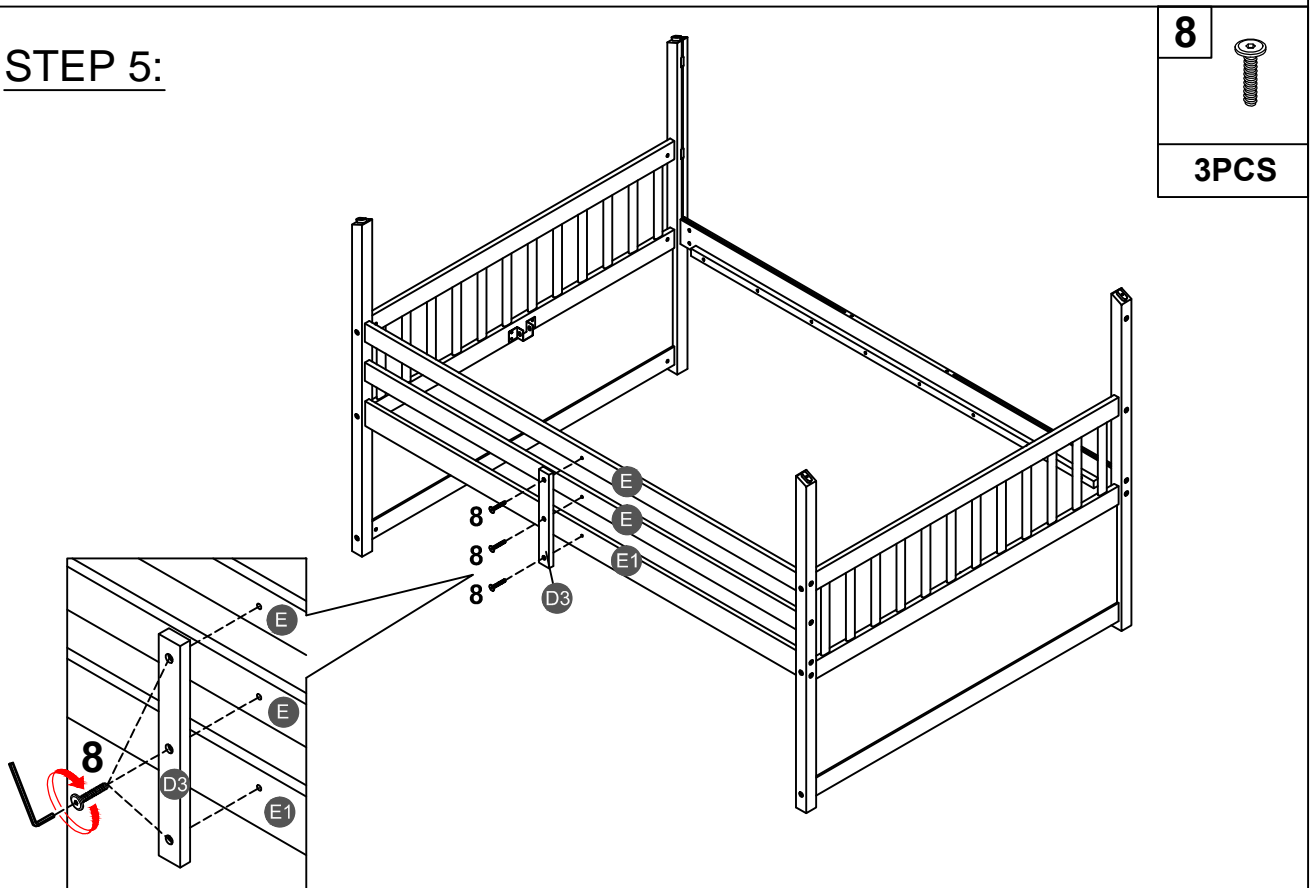
19	26
	
8PCS	2PCS







STEP 4:

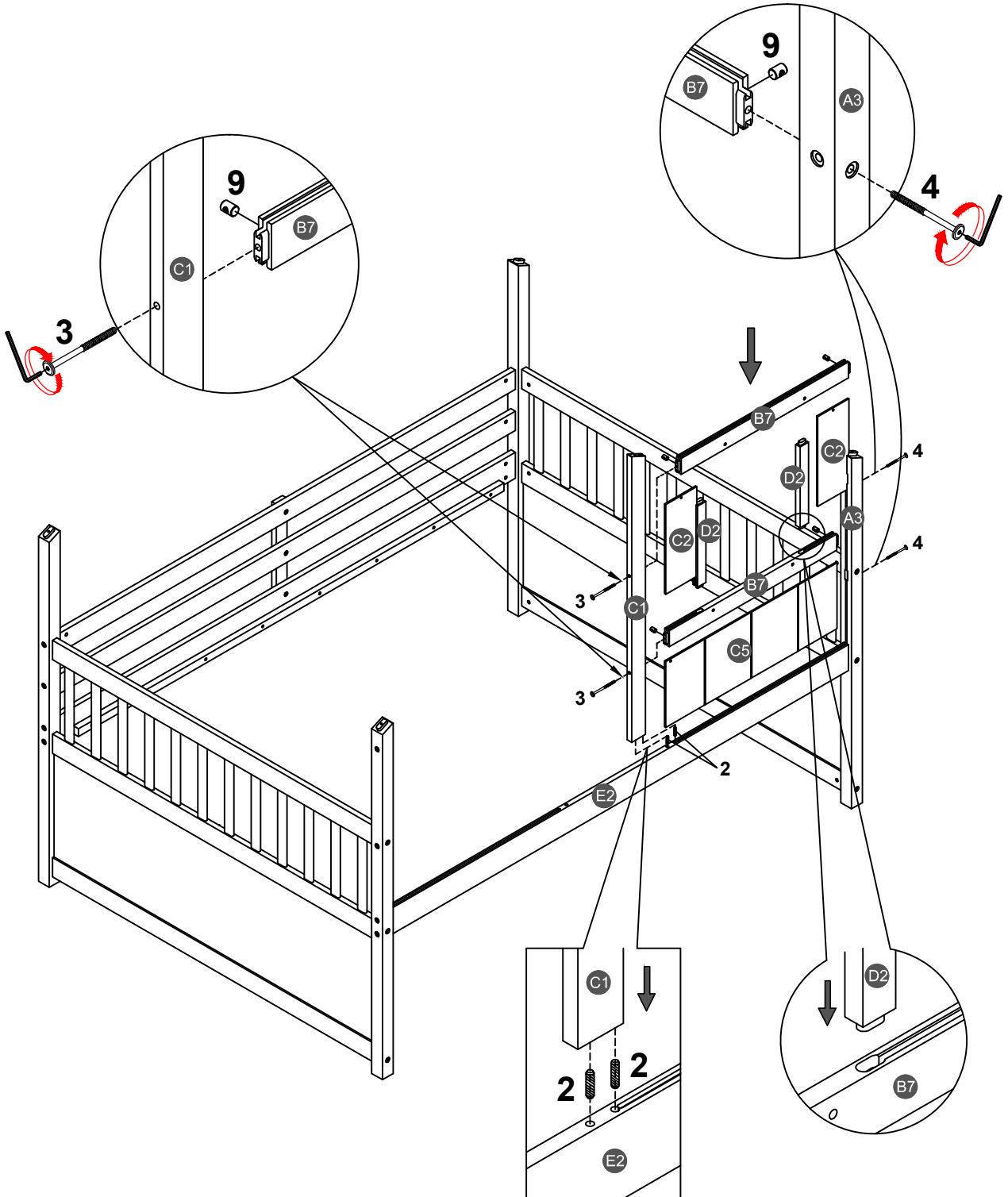


STEP 5:







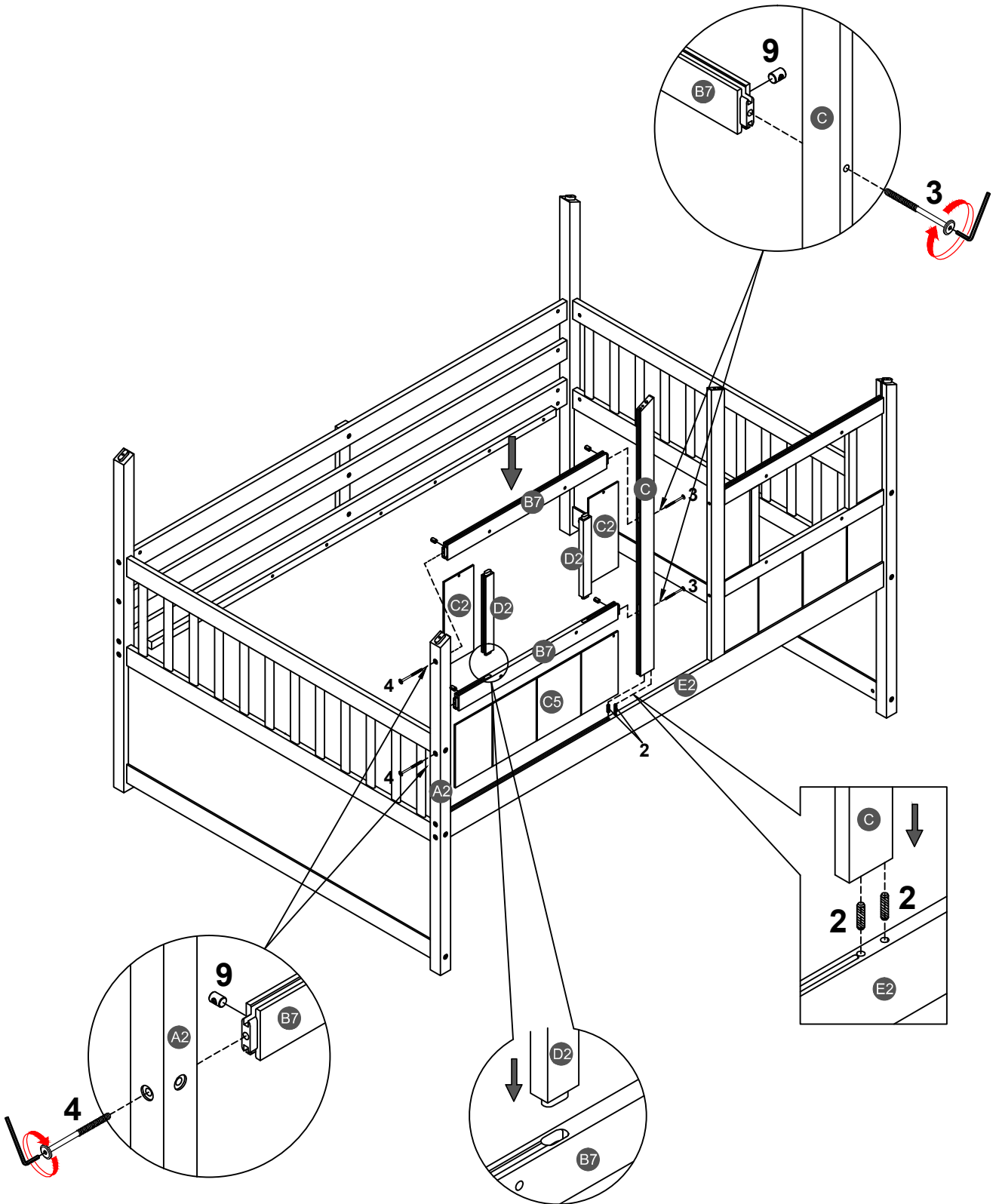
STEP 6:

2		3		4		9	
2PCS		2PCS		2PCS		4PCS	

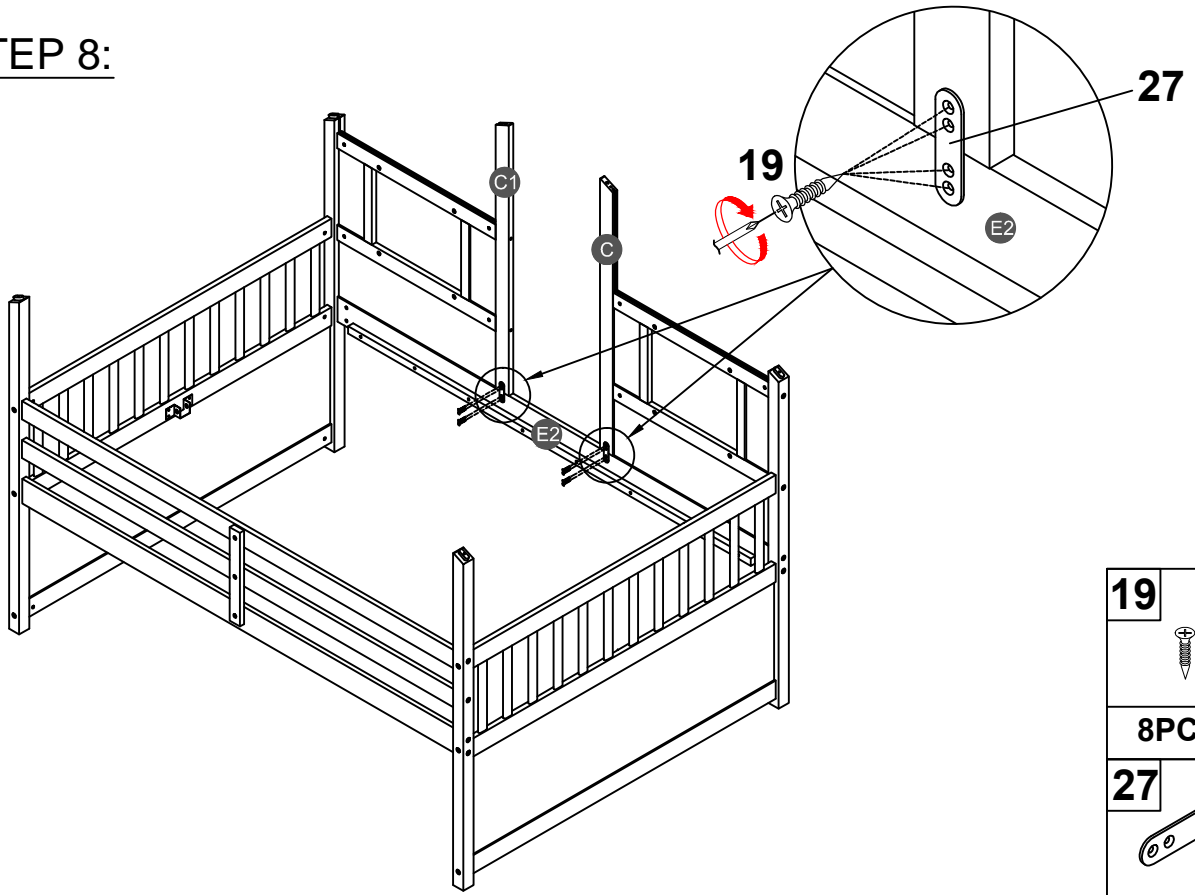



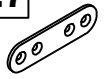
STEP 7:

2		3		4		9	
2PCS		2PCS		2PCS		4PCS	

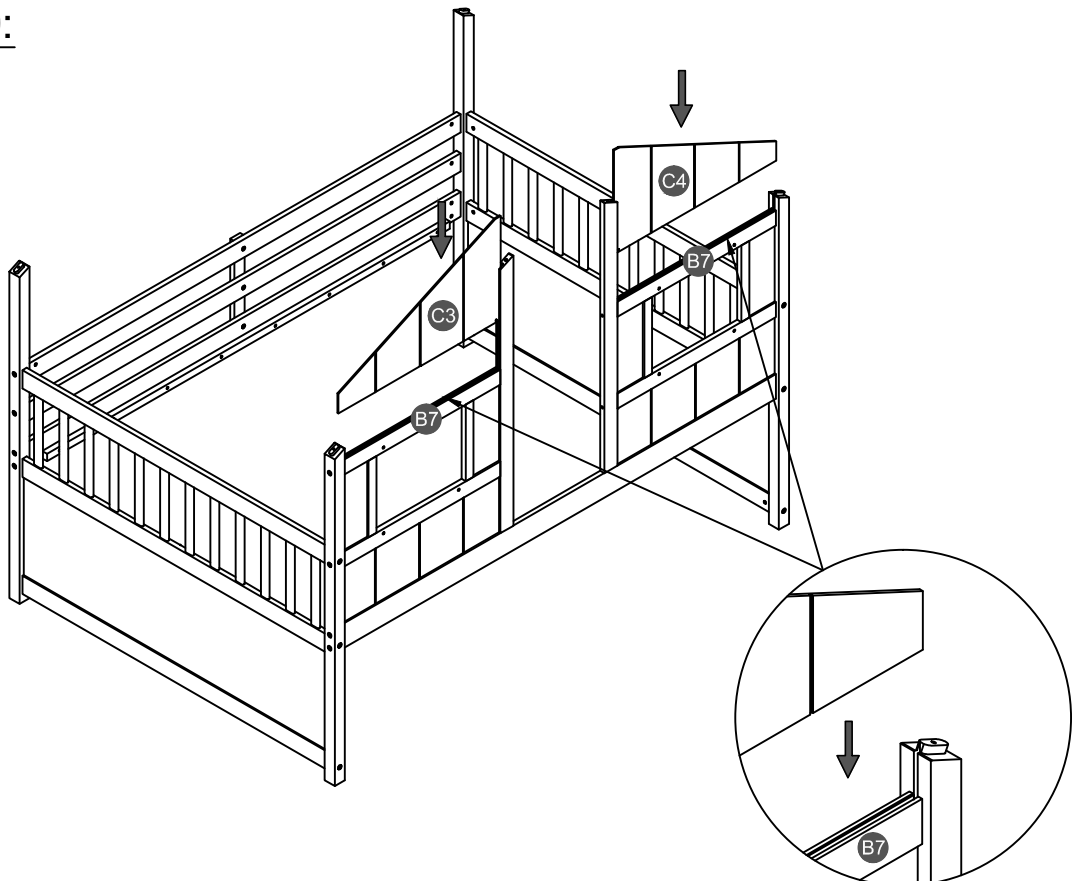


STEP 8:

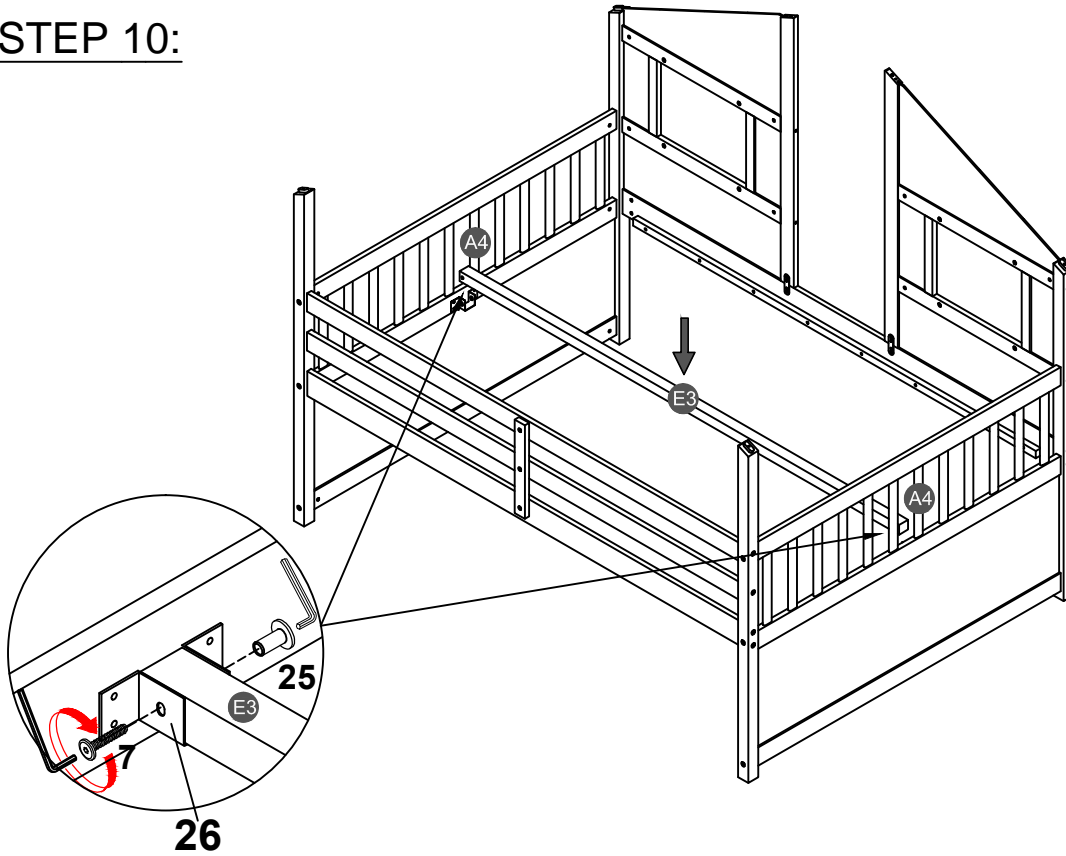


19	
8PCS	
27	
2PCS	

STEP 9:

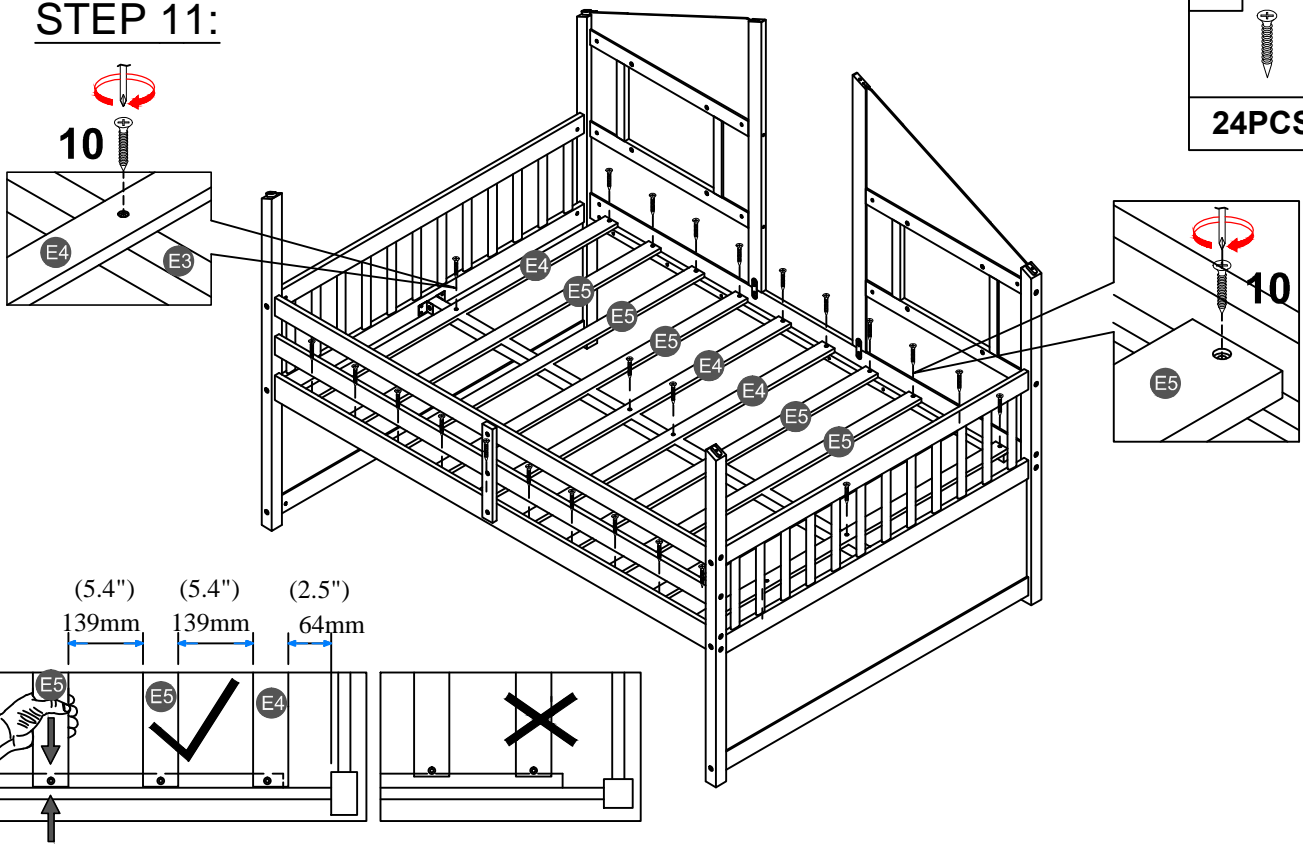


STEP 10:



7	
2PCS	
25	
2PCS	

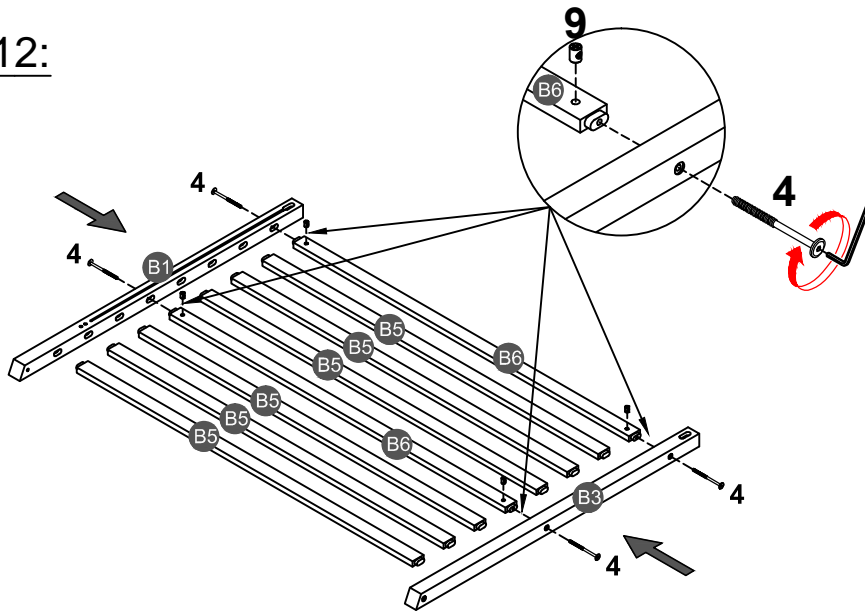
STEP 11:





10	
24PCS	

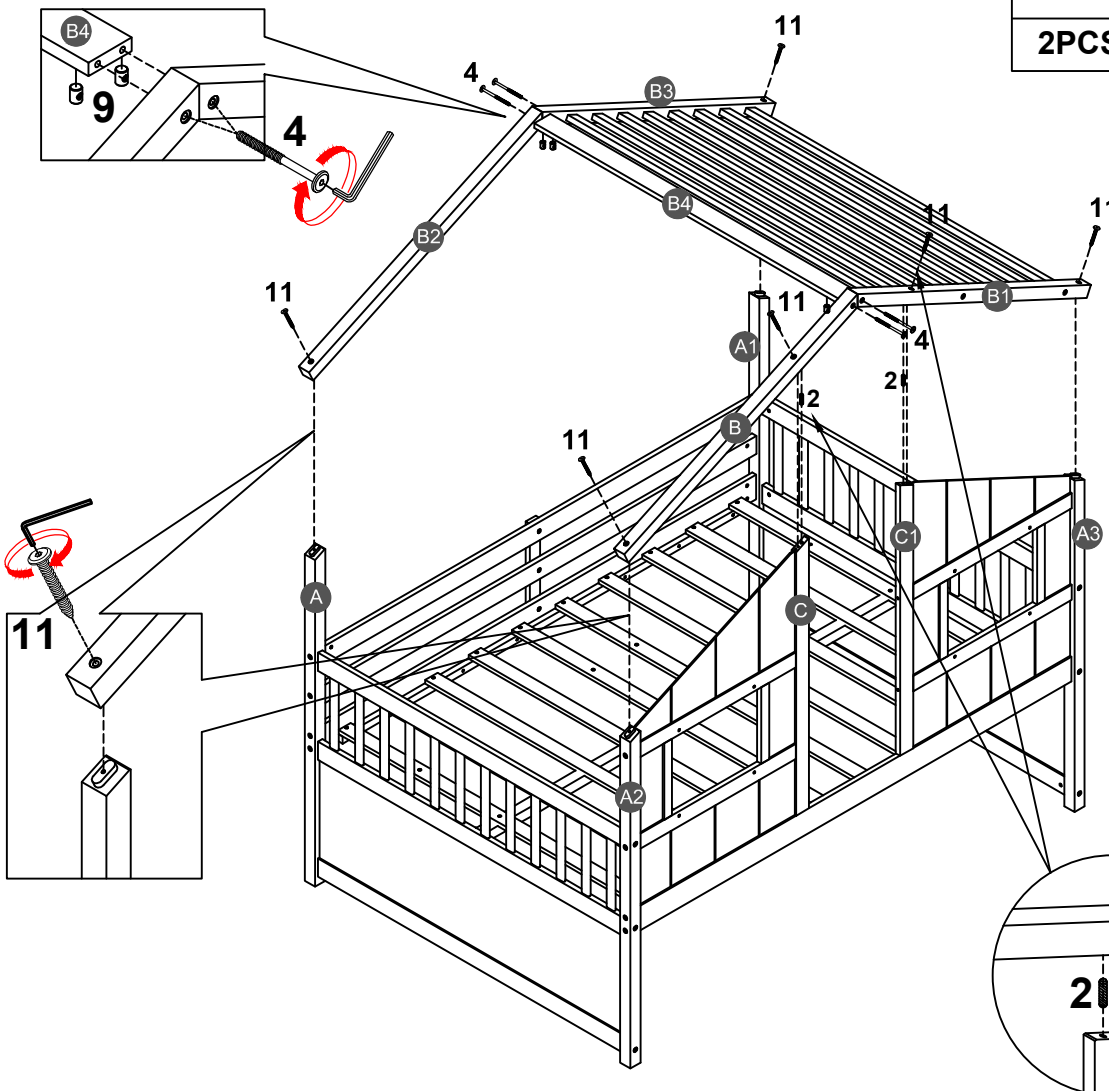
NOTE: Please make sure the bed slats close to the side rail before locking the screws to avoid breakage. This step is required for both the left and right sides. Moreover, please do not lock the screws of the bed slats at the outermost edge to avoid damaging.





STEP 12:



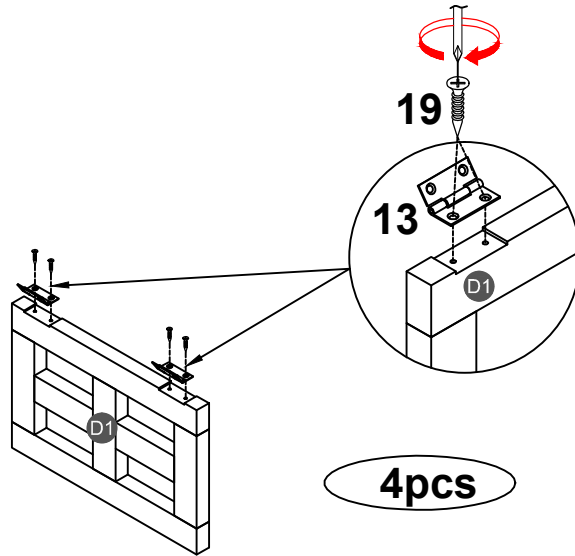
4		9	
4PCS		4PCS	



STEP 13:



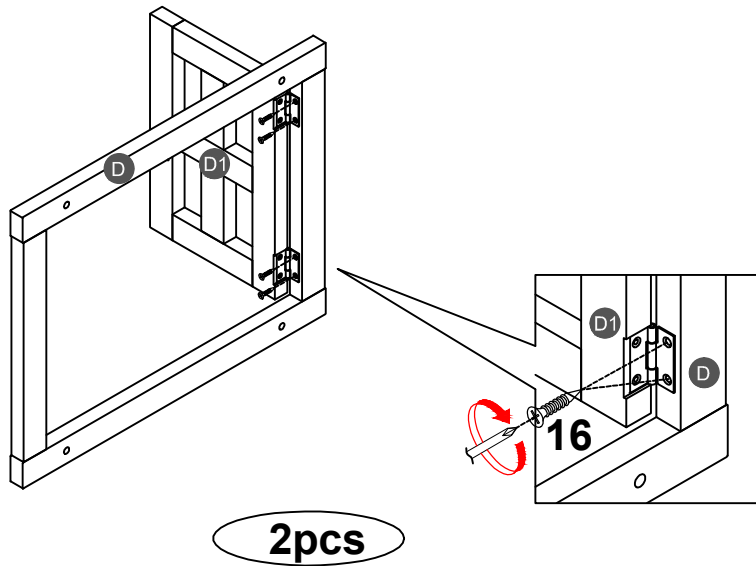
2		4	
2PCS		4PCS	
		9	
		4PCS	
		11	
		6PCS	


STEP 14:



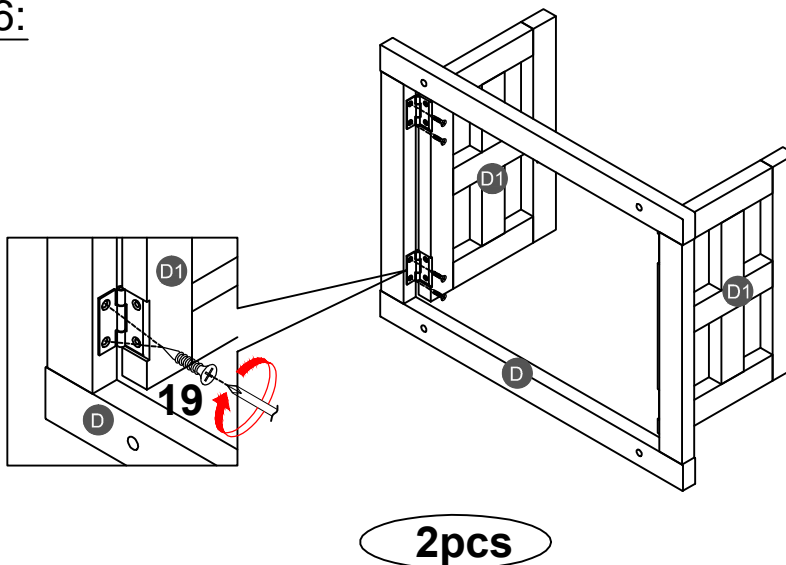
13 	19 
8PCS	16PCS


STEP 15:



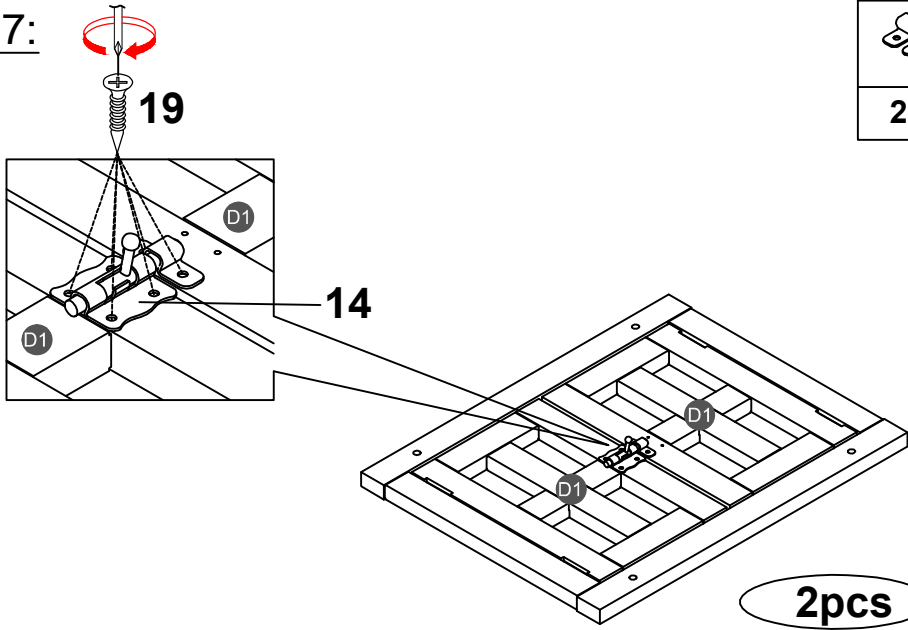
19 
8PCS

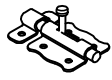

STEP 16:



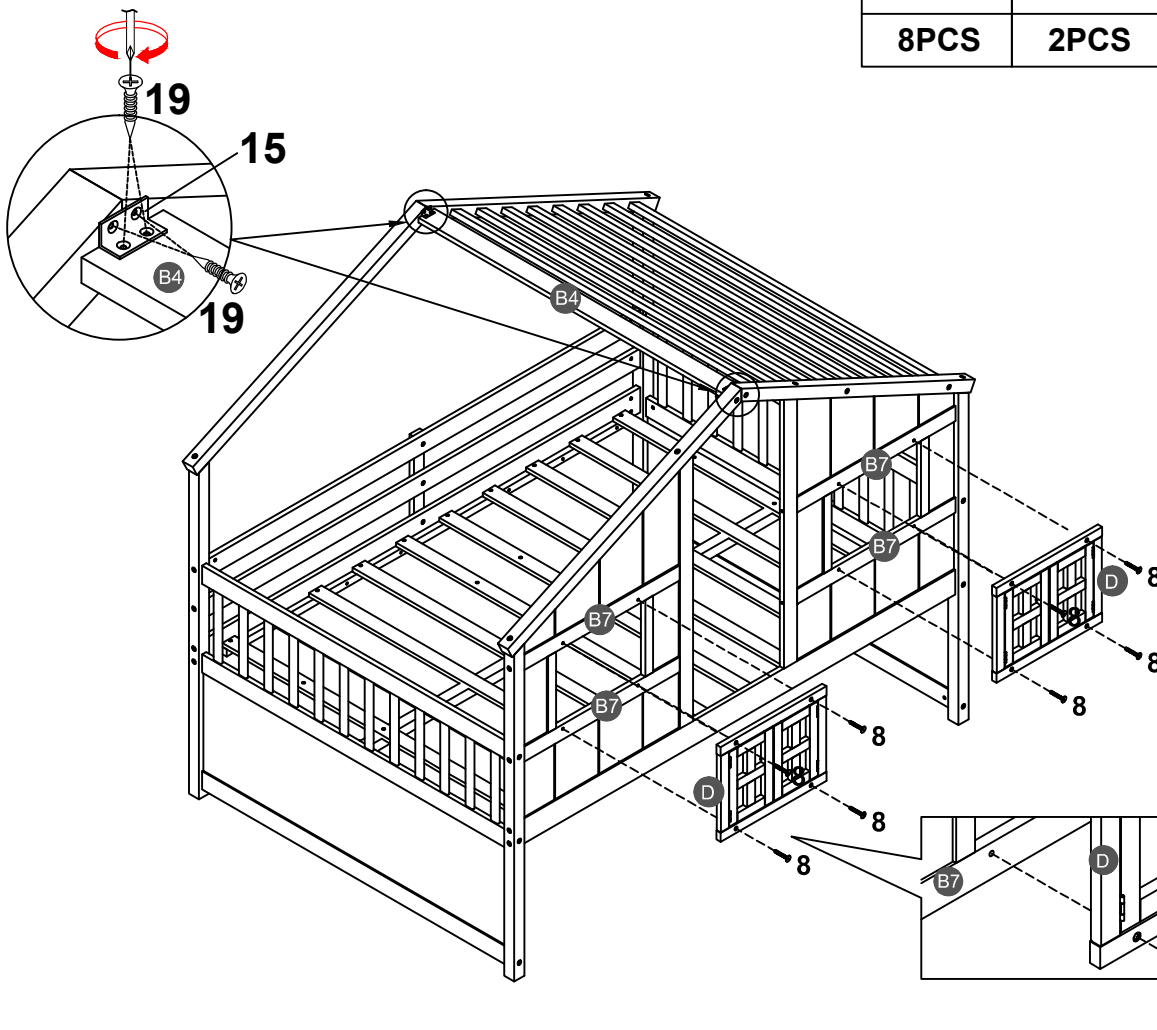
19 
8PCS




STEP 17:



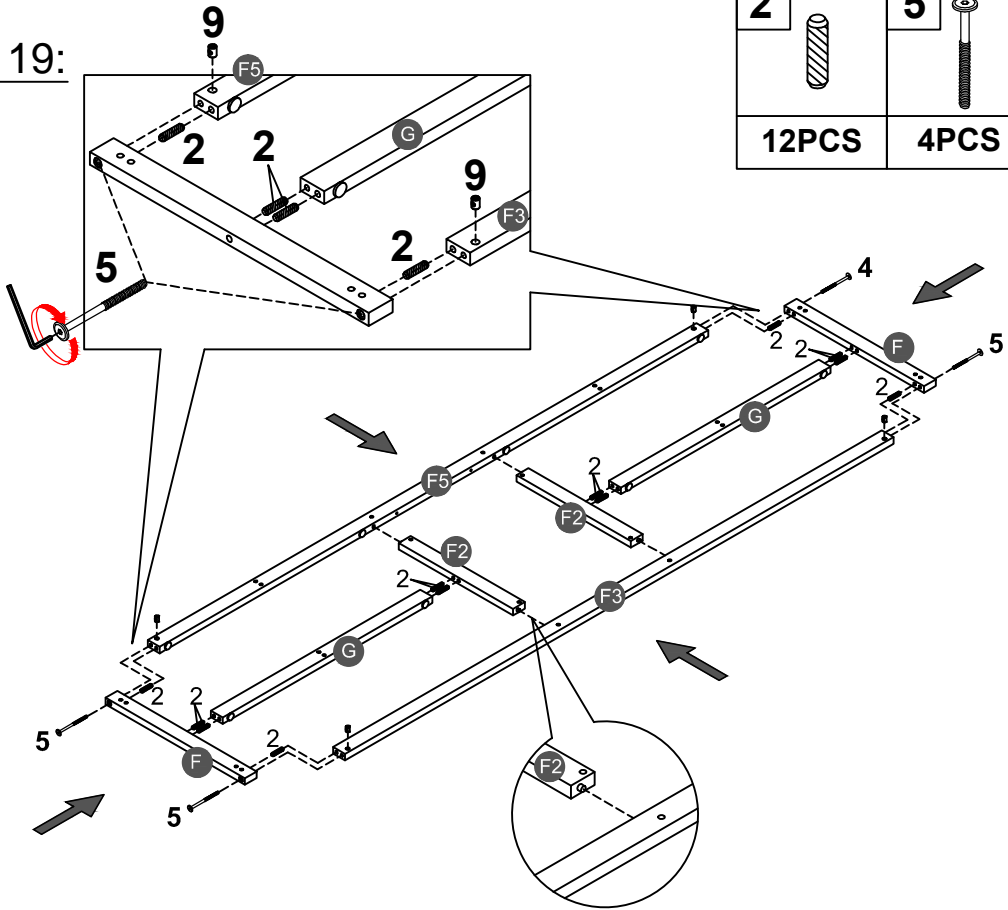
14 	19 
2PCS	12PCS




STEP 18:



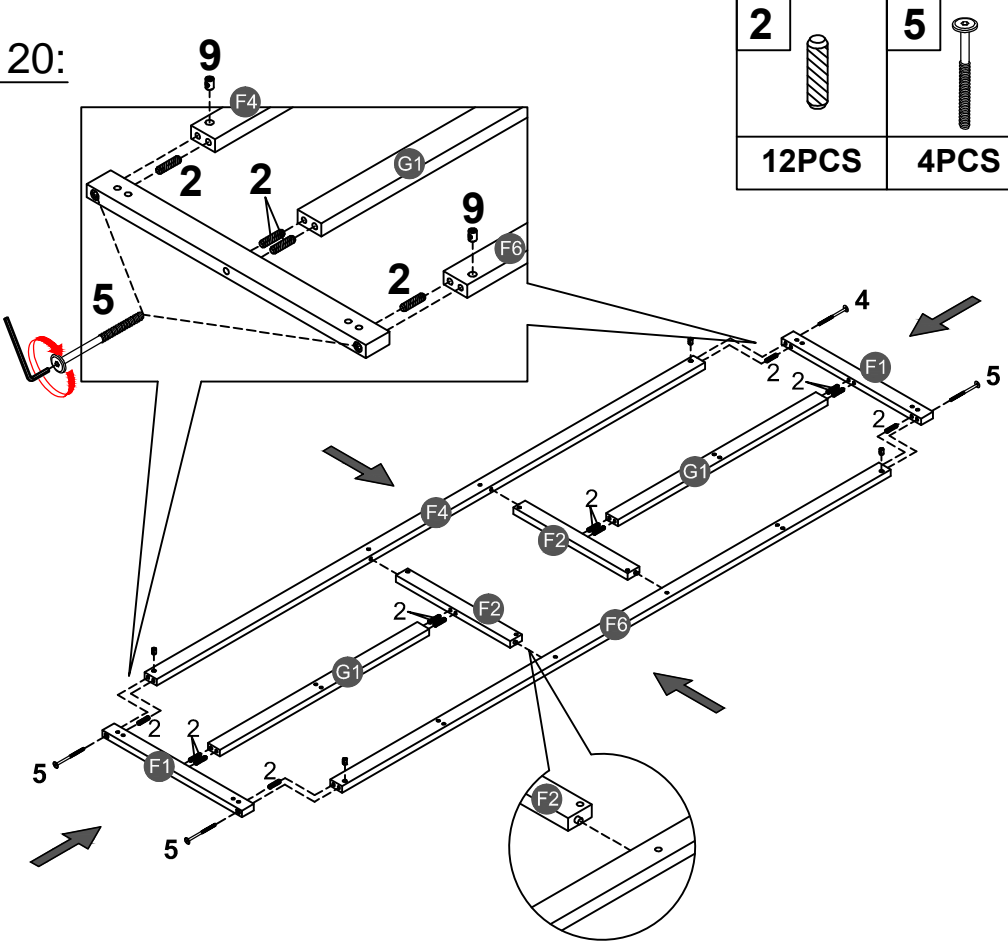
8 	15 	19 
8PCS	2PCS	8PCS




STEP 19:






2		5		9	
12PCS		4PCS		4PCS	

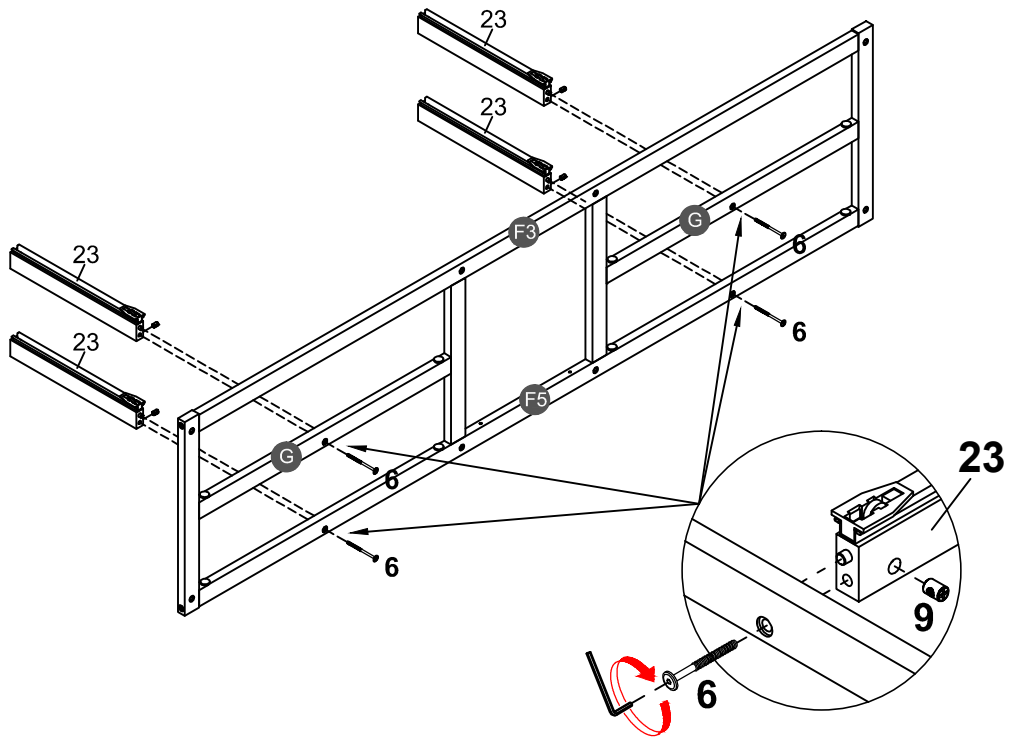
STEP 20:





2		5		9	
12PCS		4PCS		4PCS	

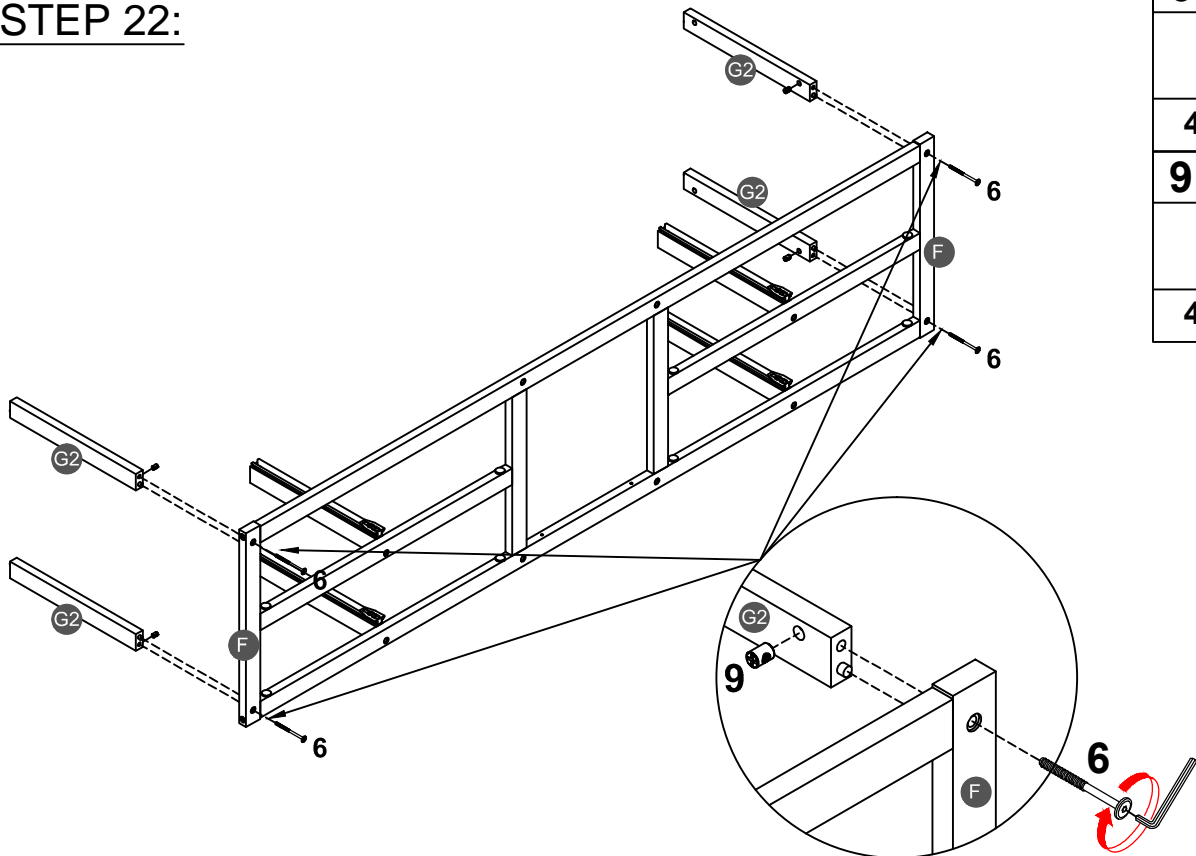
STEP 21:

6		9		23	
4PCS		4PCS		4PCS	





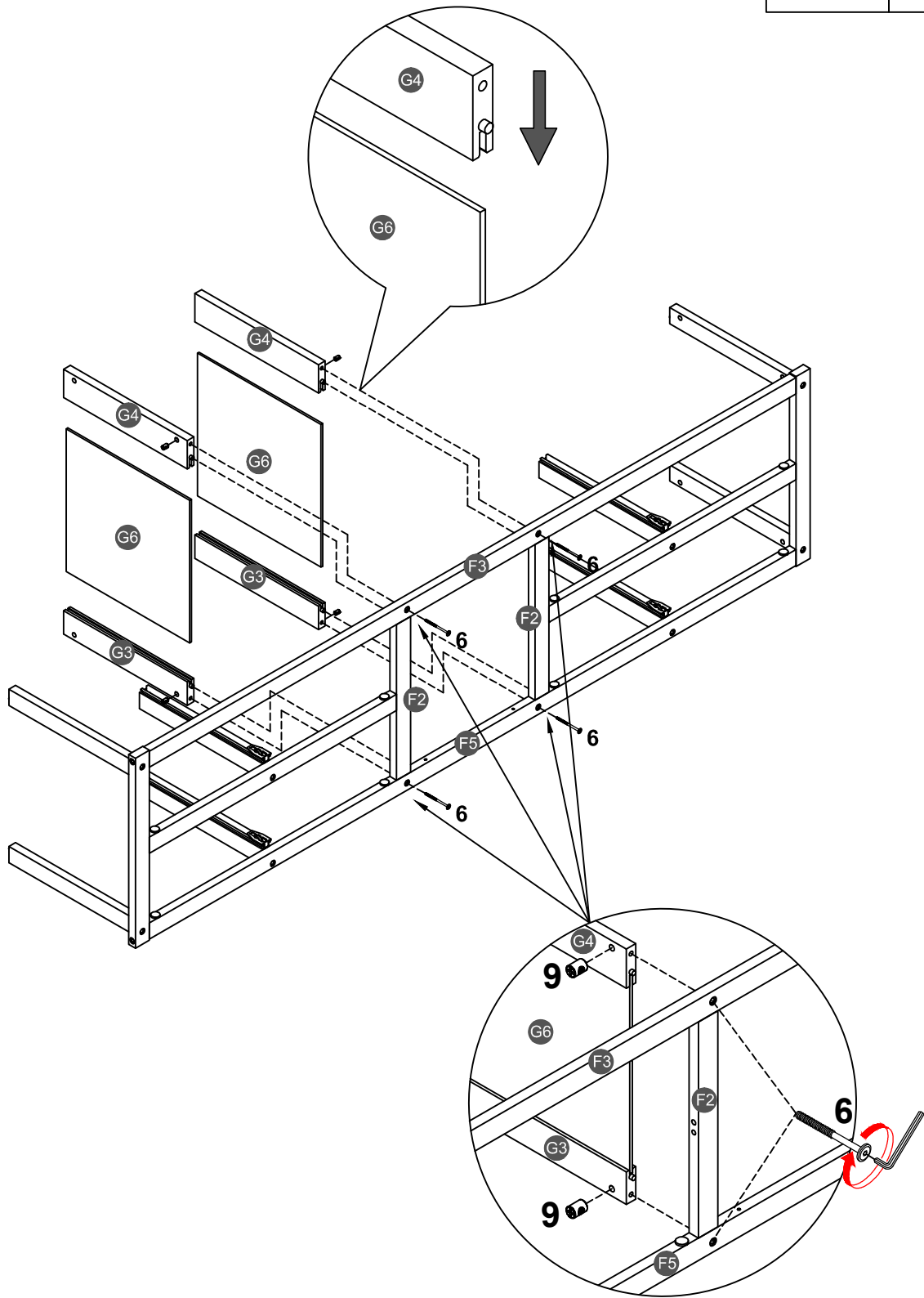
STEP 22:

6	
4PCS	
9	
4PCS	





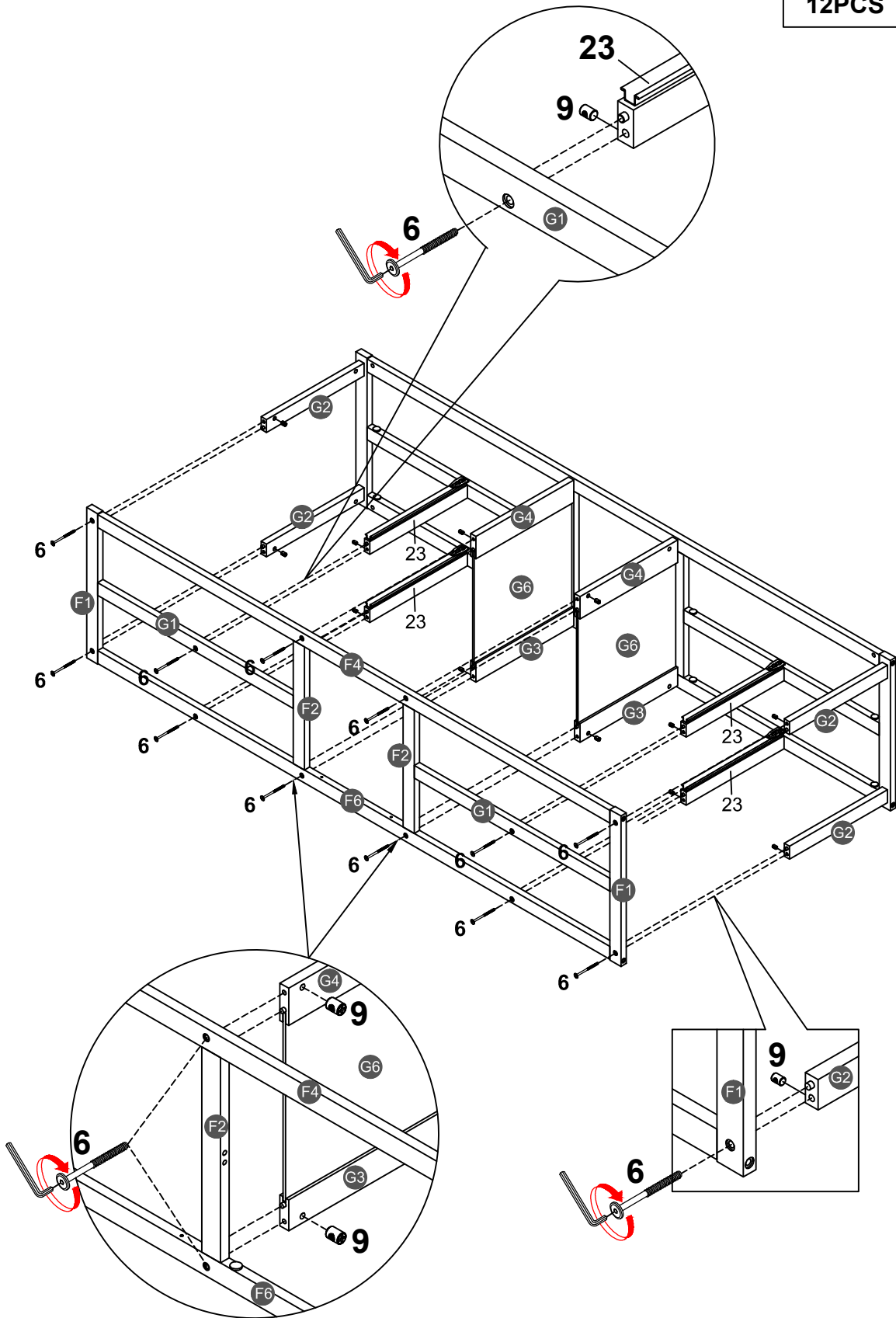
STEP 23:

6		9	
4PCS		4PCS	




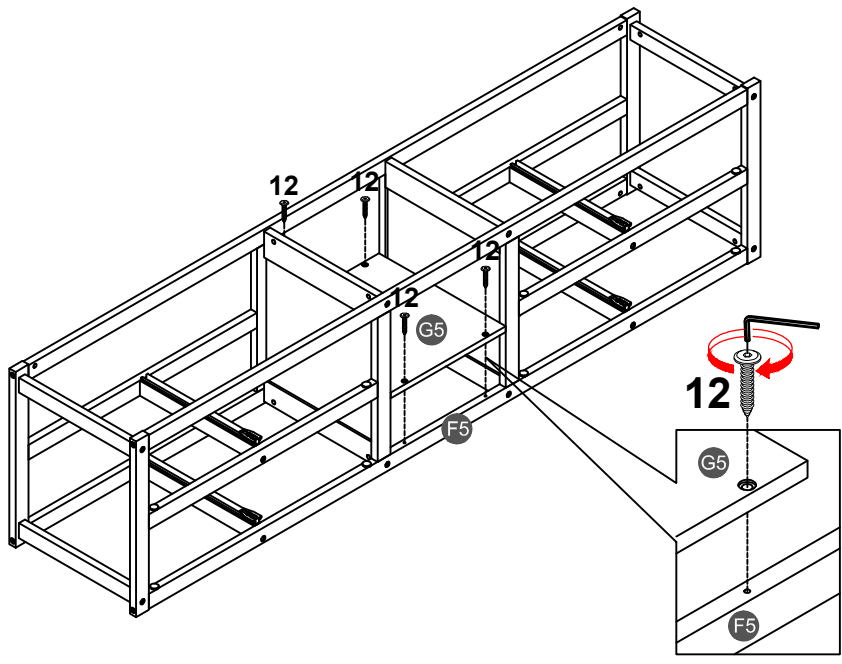
STEP 24:

6		9	
12PCS		12PCS	




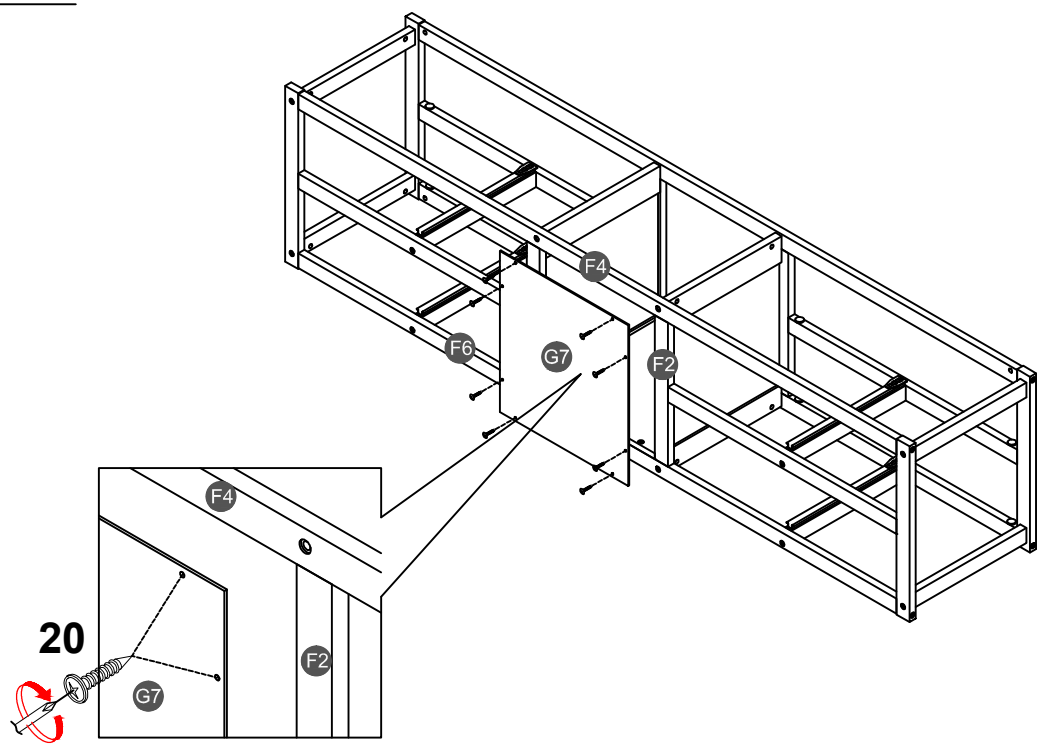
STEP 25:

12

4PCS

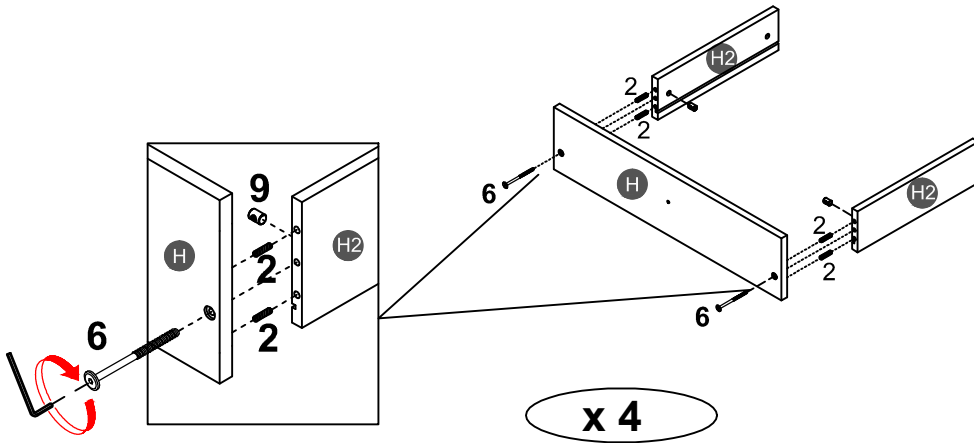


STEP 26:

20

8PCS

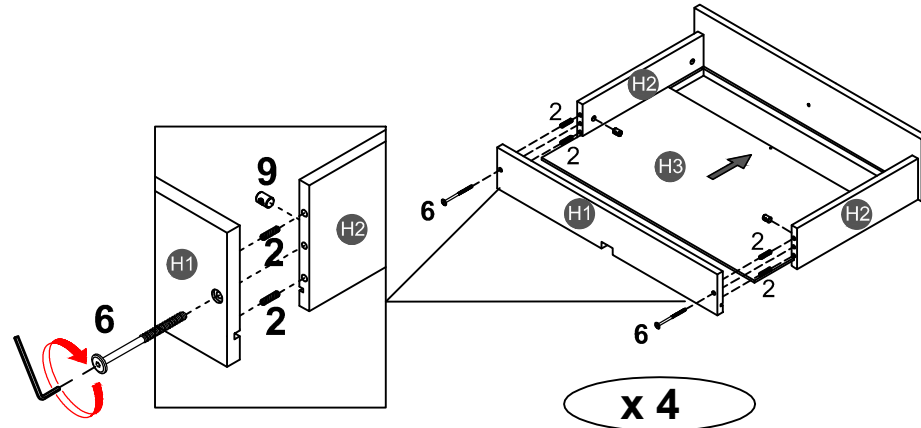


STEP 27:



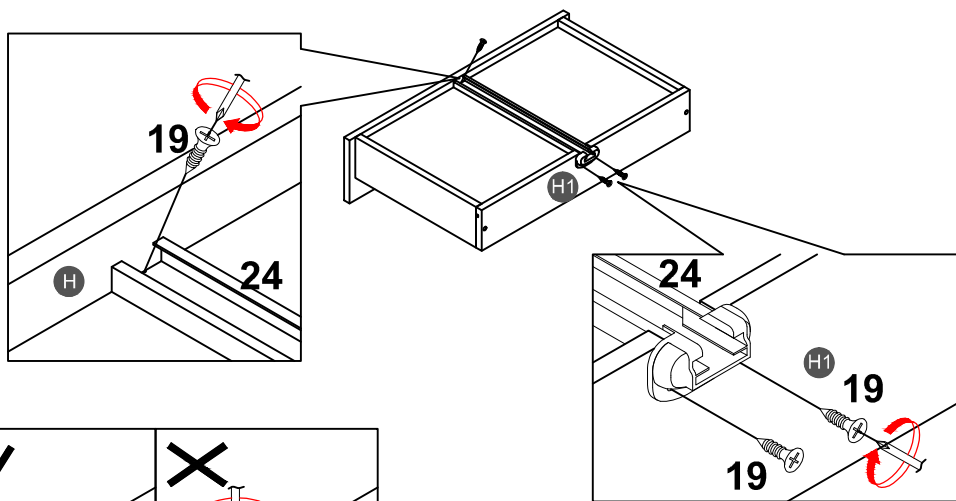
2		6	
16PCS		8PCS	
		9	
		8PCS	

STEP 28:

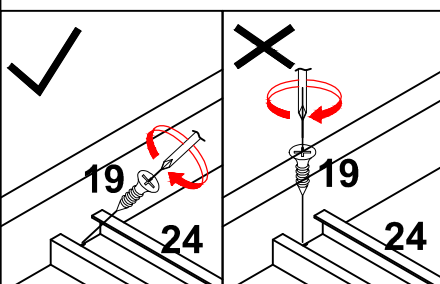


2		6	
16PCS		8PCS	
		9	
		8PCS	

STEP 29:





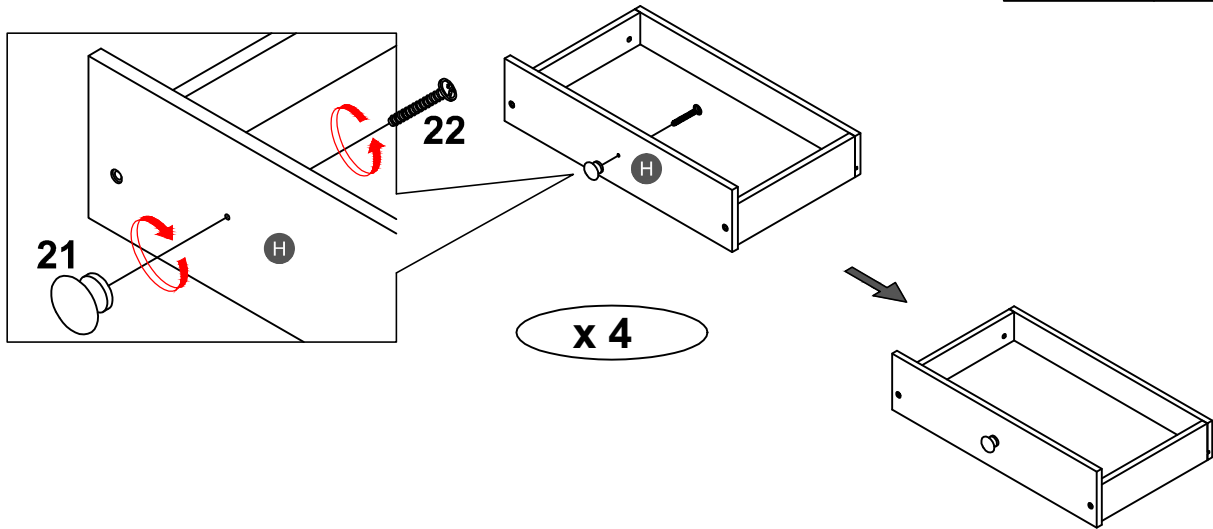
24		19	
4PCS		12PCS	



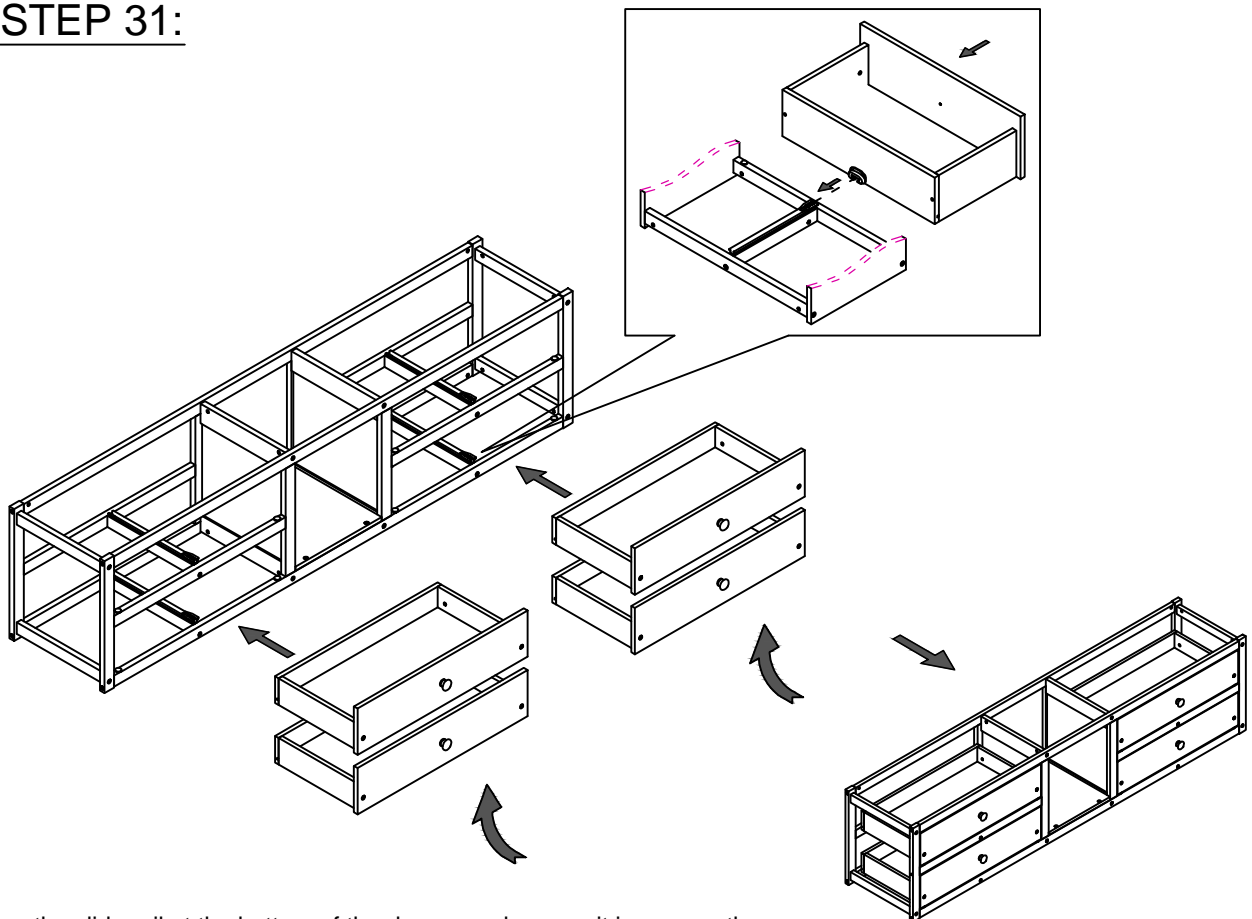
x 4

STEP 30:

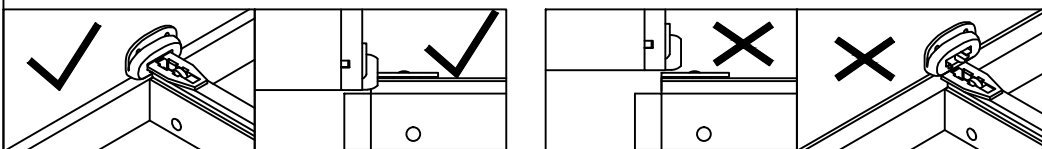
21		22	
4PCS		4PCS	



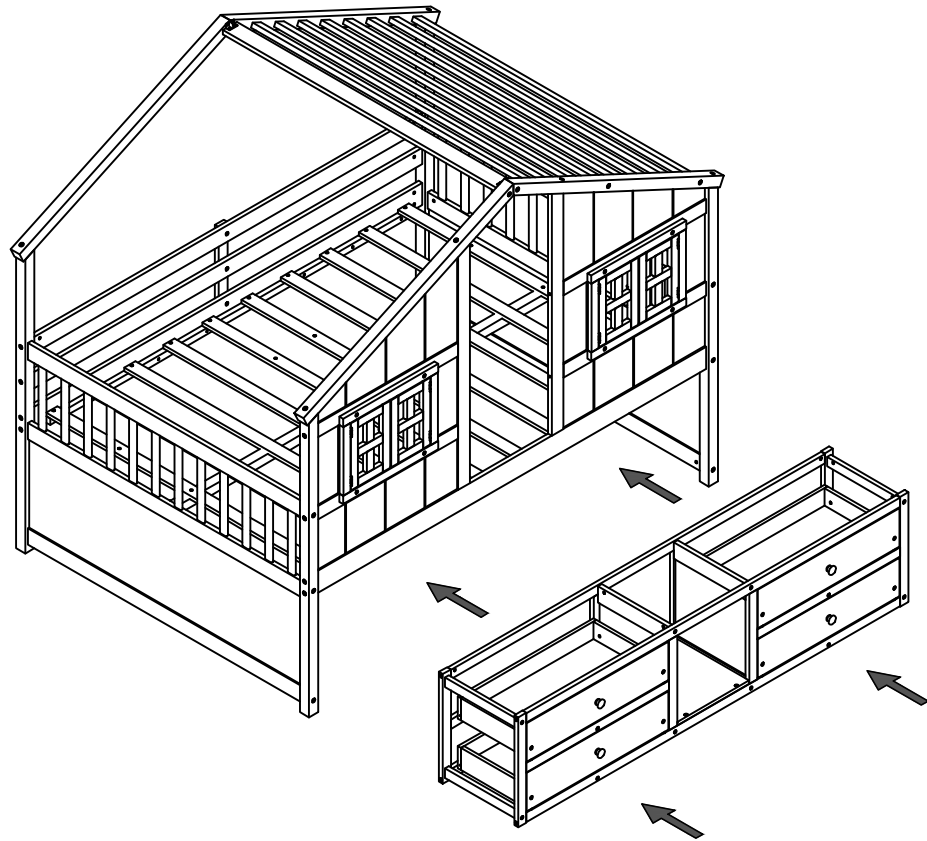
STEP 31:





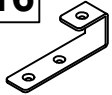

Align the slide rail at the bottom of the drawer and ensure it is secure, then push the drawer in firmly to make the slide rails smoothly on the track.

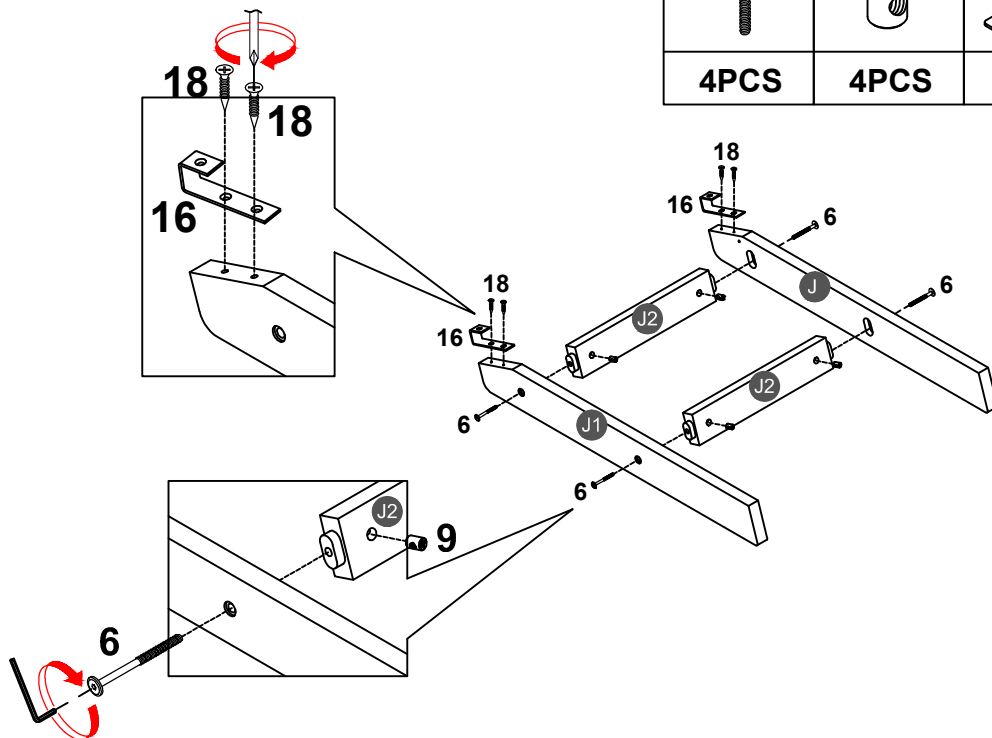


STEP 32:





STEP 33:

6		9		16		18	
4PCS		4PCS		2PCS		4PCS	



STEP 34:

17 	18 
2PCS	6PCS

