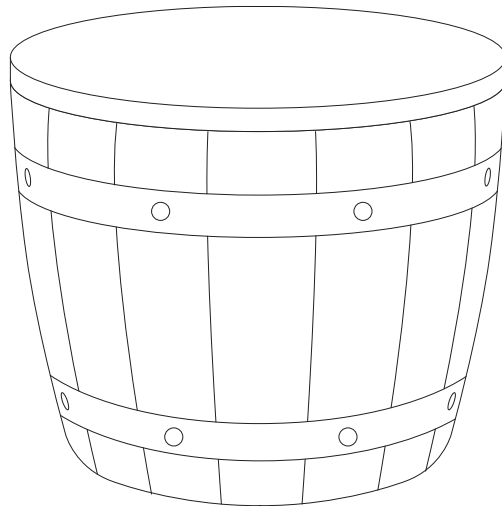


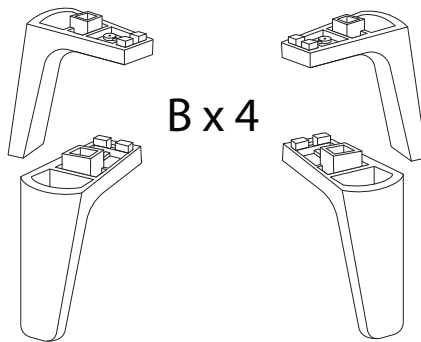
Diagram illustrating assembly steps and safety warnings:

- Step 1:** Shows a screwdriver and a power drill with a diagonal line through it, indicating that a power drill should not be used. A warning triangle with an exclamation mark is positioned to the right.
- Step 2:** Shows a wooden block being placed on a surface with a sawtooth pattern, and a second block being placed on top of it. A diagonal line through the second block indicates it should not be placed there. A warning triangle with an exclamation mark is positioned to the right.
- Time:** A clock icon indicates a duration of 5 minutes.
- Person:** An icon of a person indicates that 1 person is required for the assembly.

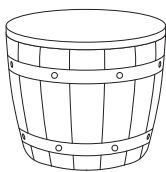
A



B x 4

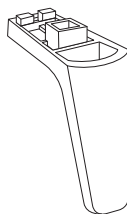


A



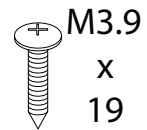
x 1

B



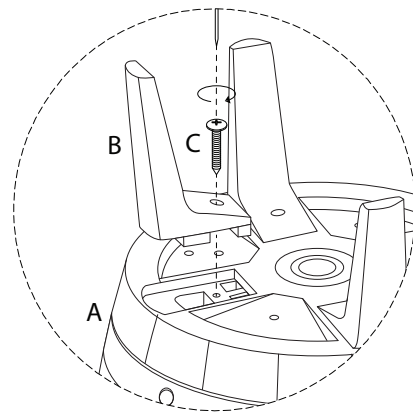
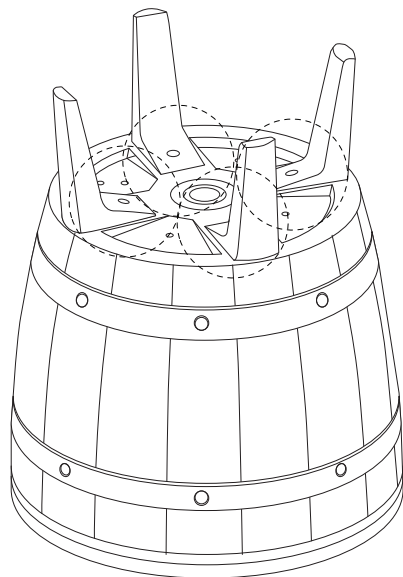
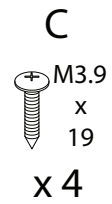
x 4

C



x 4

1



2

