

ASSEMBLY INSTRUCTIONS



Fine Furniture for every stage of life

Sectional

ASSEMBLY INSTRUCTIONS

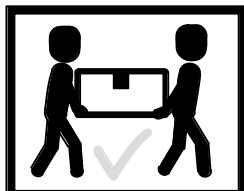
ASSEMBLY TIPS:

- 1.Remove hardware from box and sort by size.
- 2.Please check to see that all hardawre and parts are present prior to start of assembly.
- 3.Please follow attached instructions in the same sequence as numbered to assure fast & easy assembly.



WARNING!

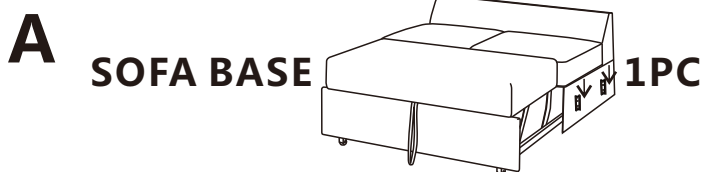
- 1.Don't attempt to repair or modify parts that are broken or defective.Please contact the store immediately.
- 2.This product is for home use only and not intended for commercial establishments.



ASSEMBLY TIME 3 MINUTES

PARTS IDENTIFICATION

B1(BOX1)

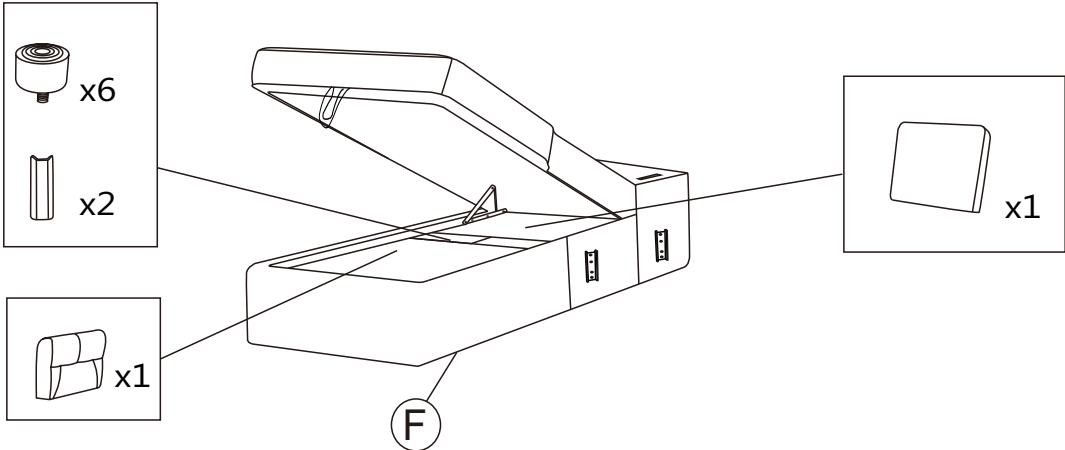


B2(BOX2)

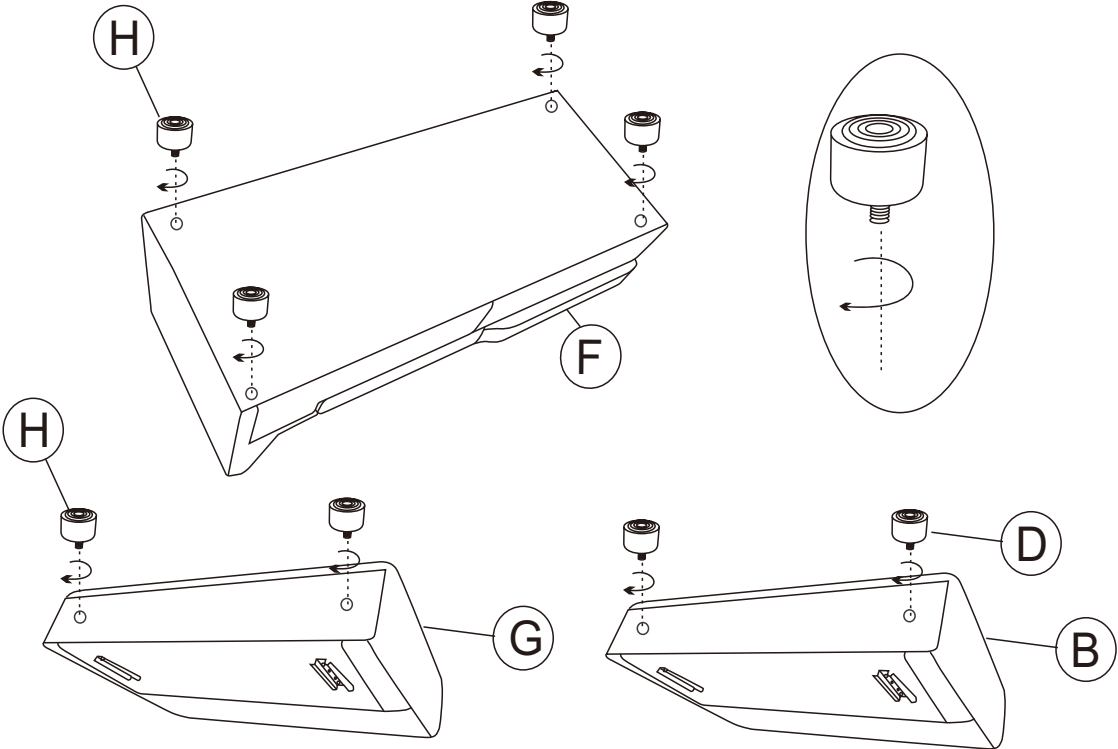


ASSEMBLY INSTRUCTIONS

STEP 1

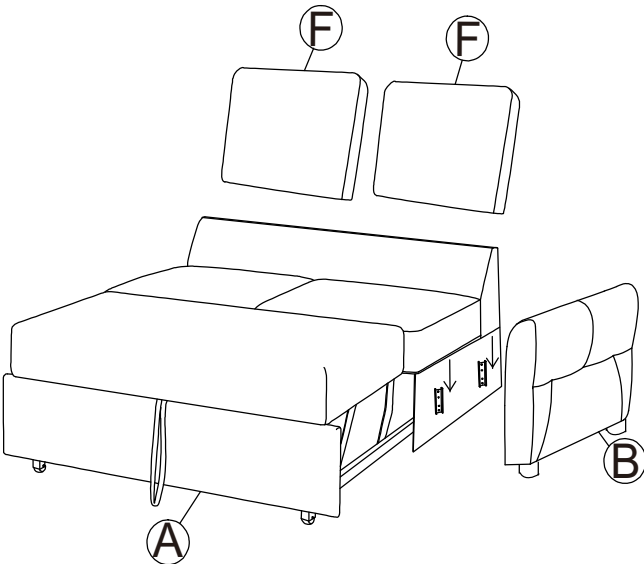


STEP 2

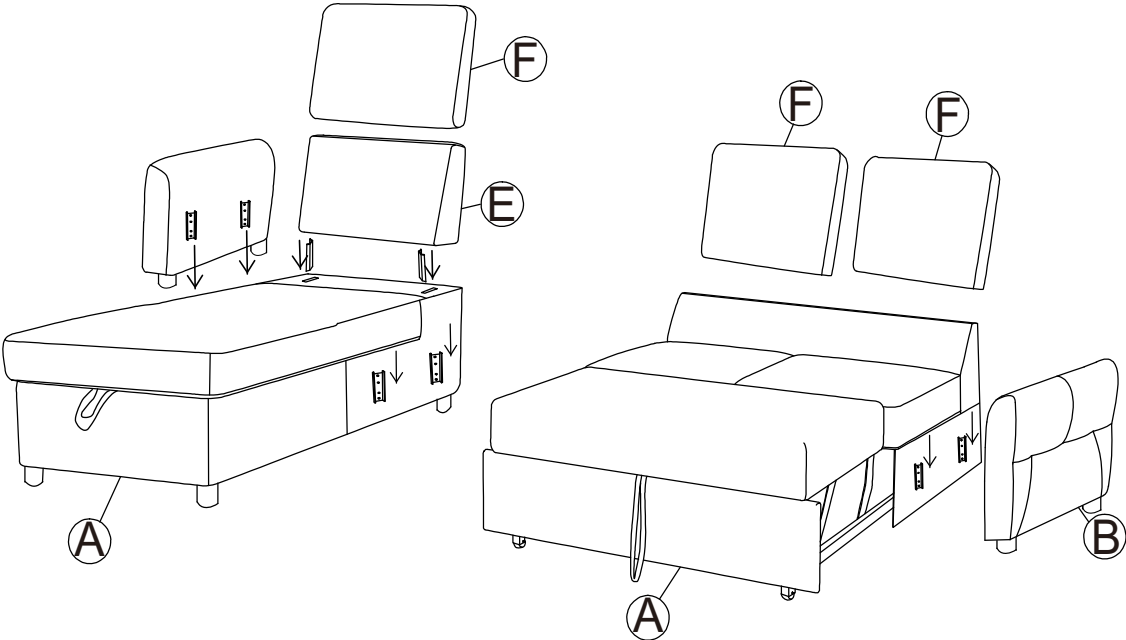


ASSEMBLY INSTRUCTIONS

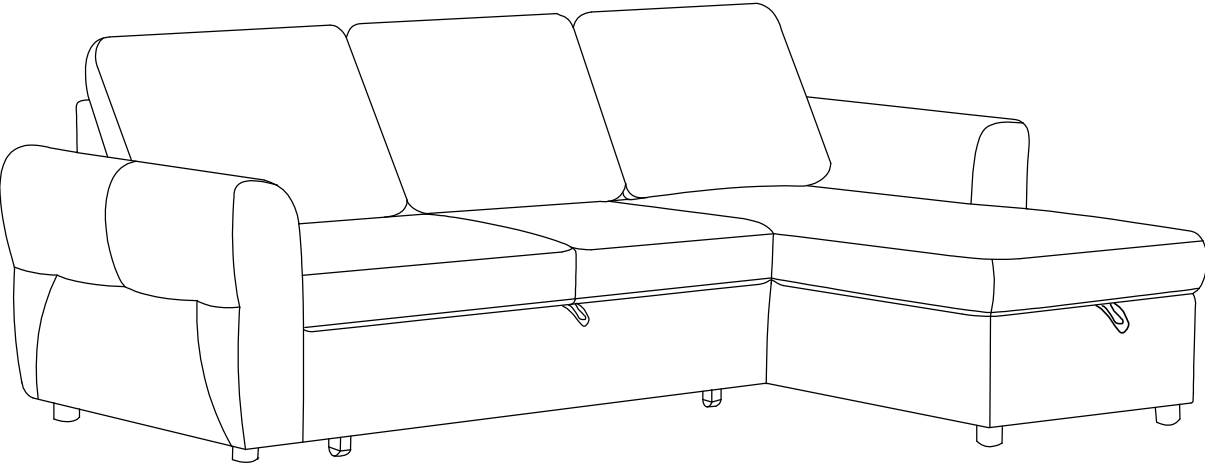
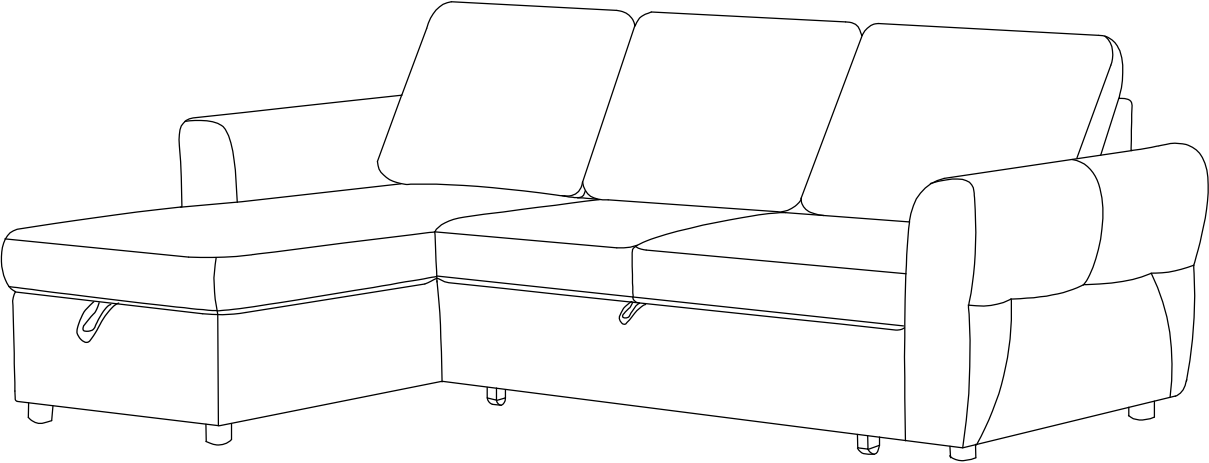
STEP 3

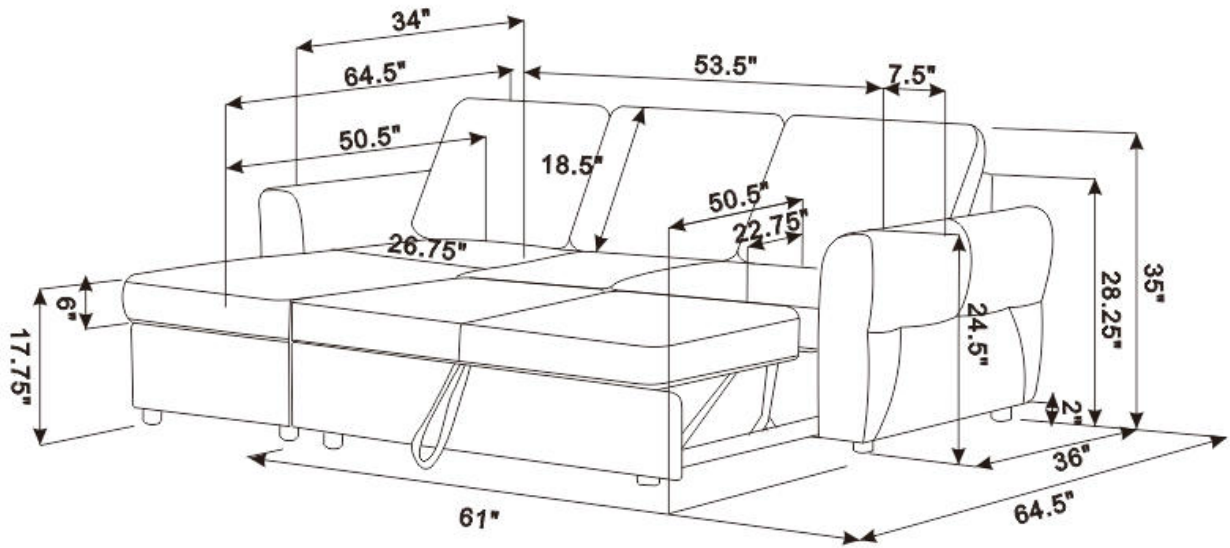
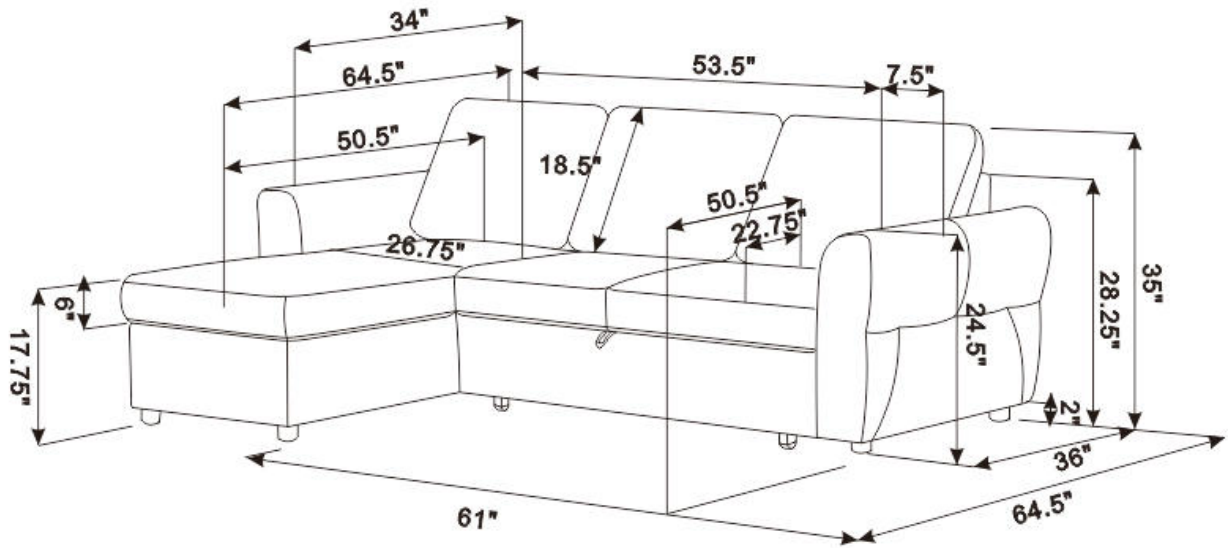


STEP 4



CONTROLLER INSTRUCTIONS





Note: Dimension tolerance $\pm 5\%$