


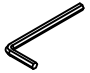
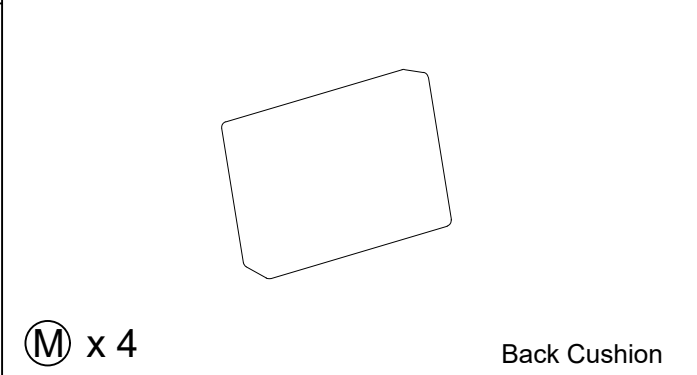
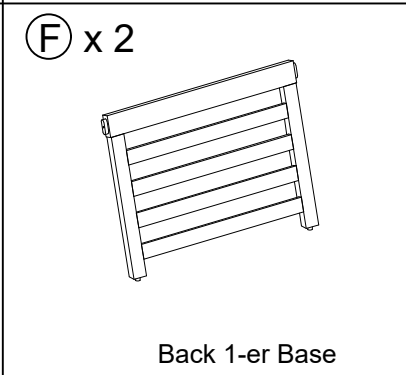
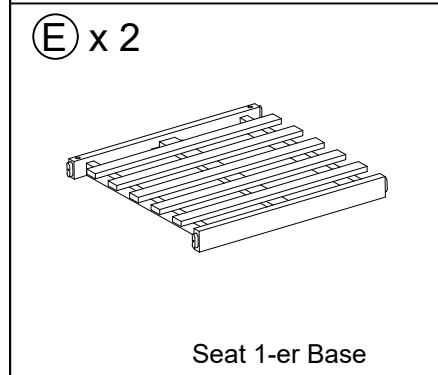
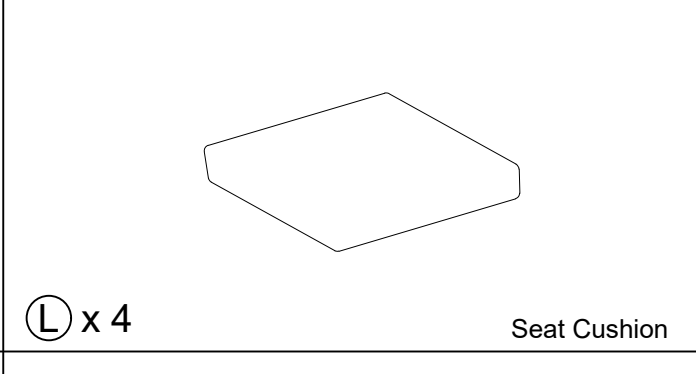
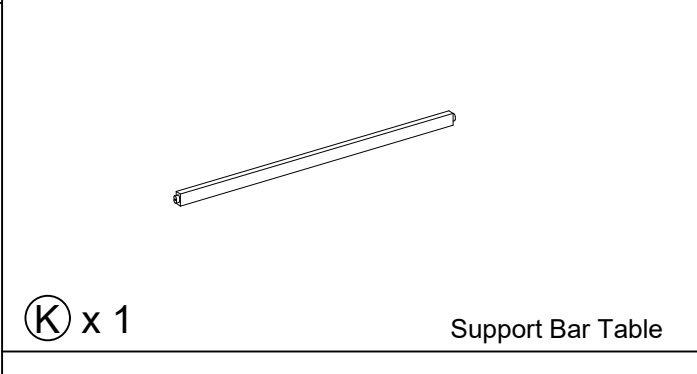
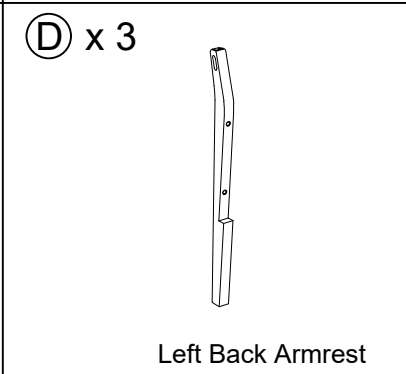
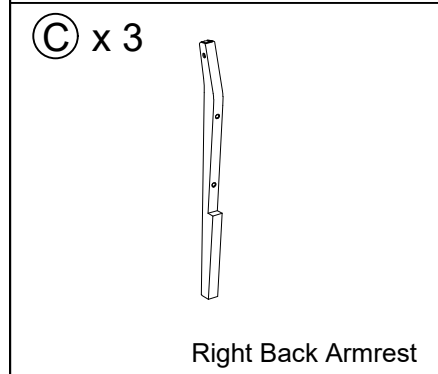
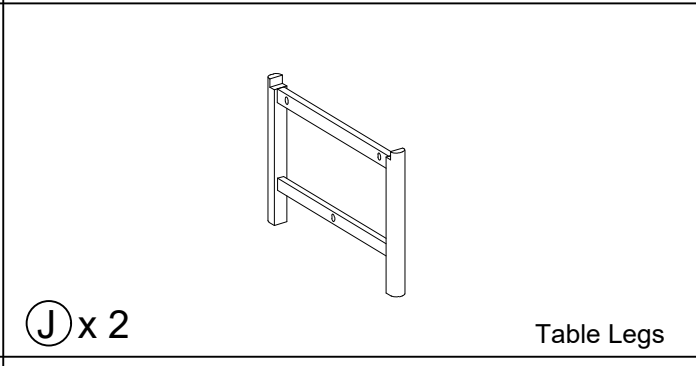
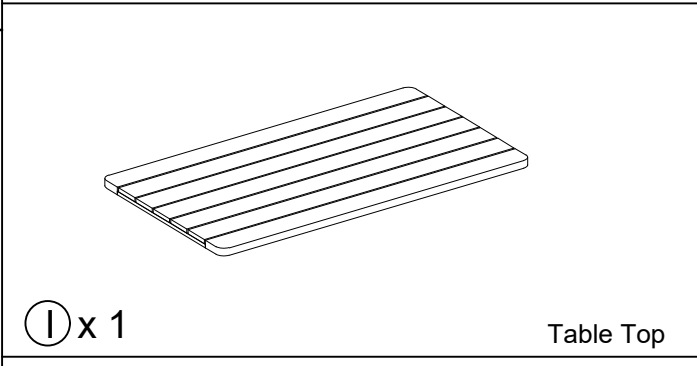
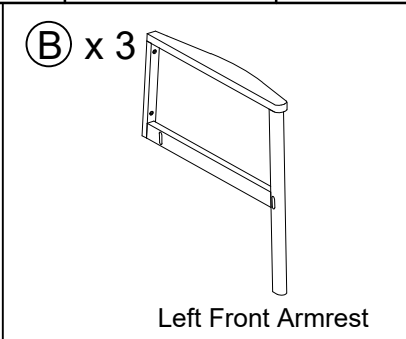
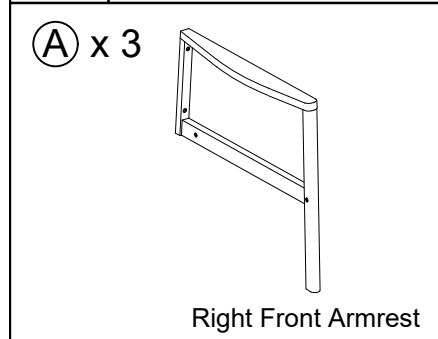
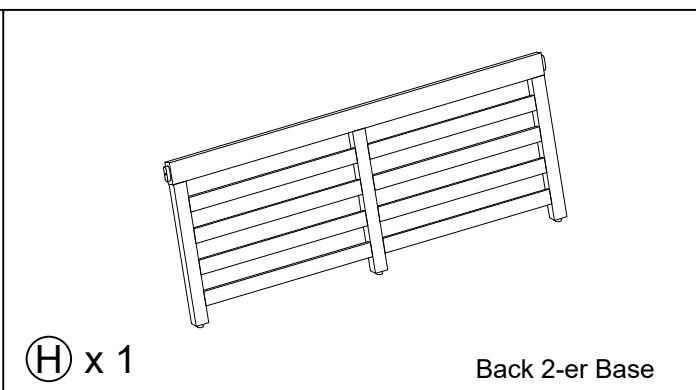
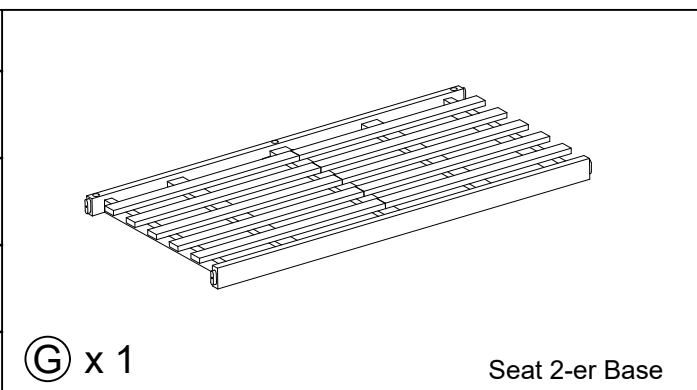
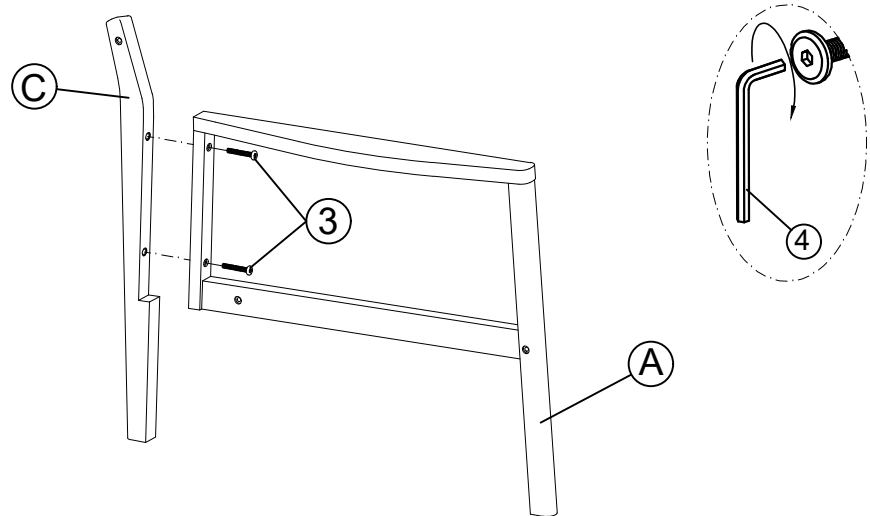


# ASSEMBLY INSTRUCTION

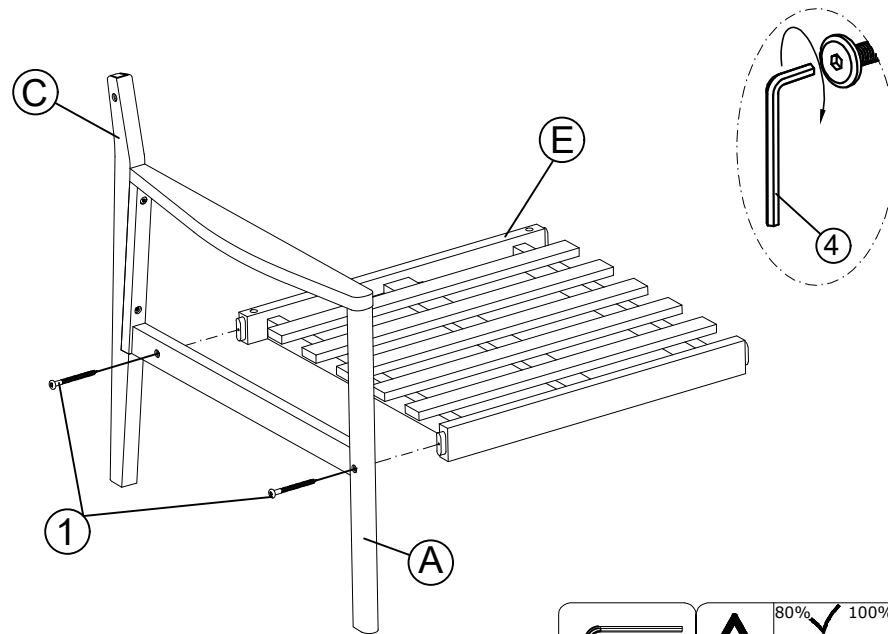
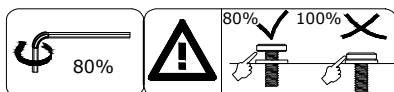
No	Hardware	Fig	Q.ty
①	Screw M6 x 70mm		19
②	Screw M6 x 60mm		6
③	Bolt M6 x 35mm		12
④	Allen Key M4		2





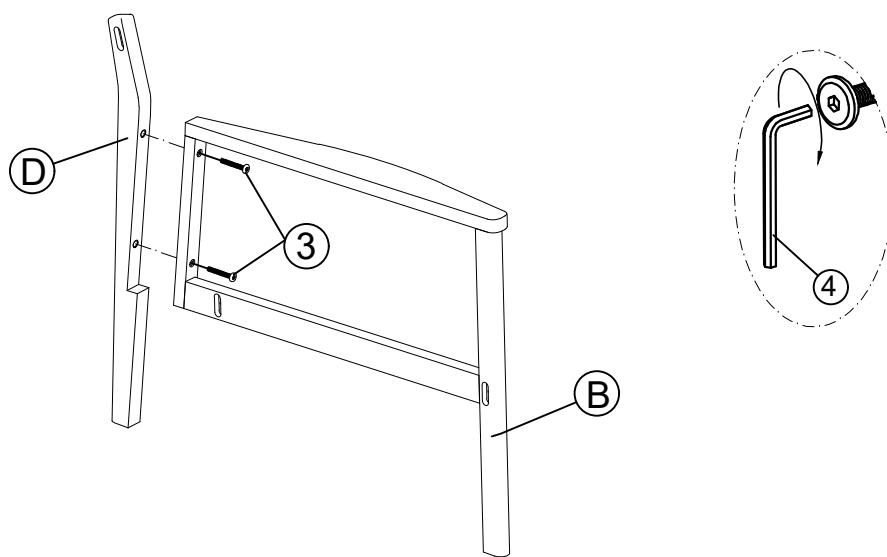
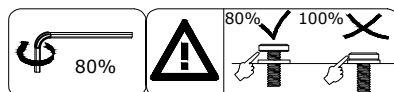
STEP 1

X3



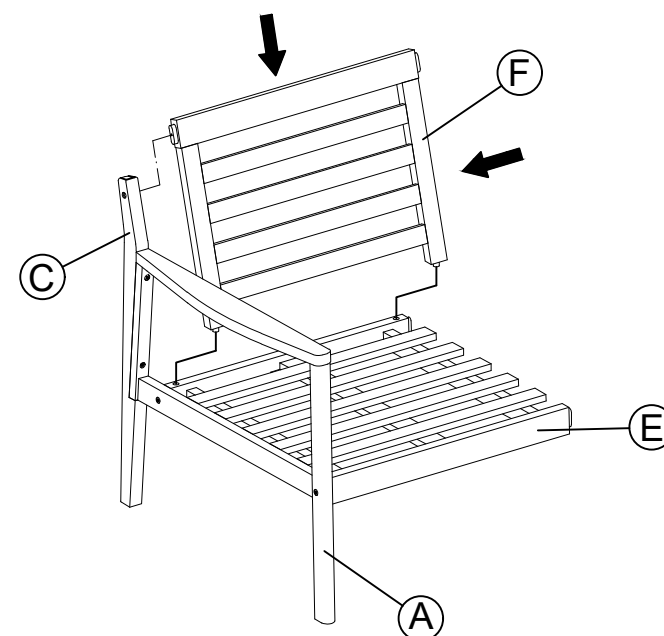
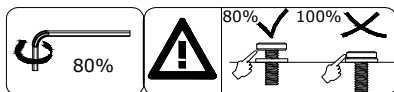
STEP 3

X2



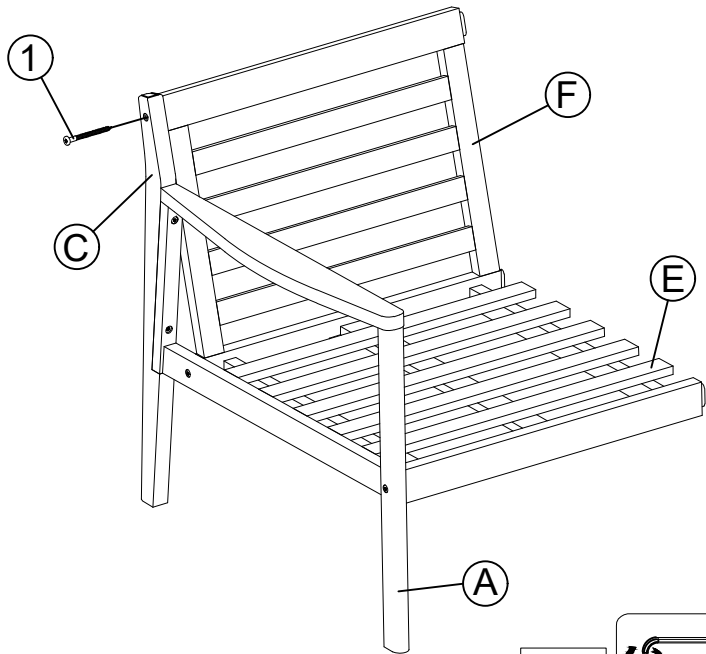
STEP 2

X3

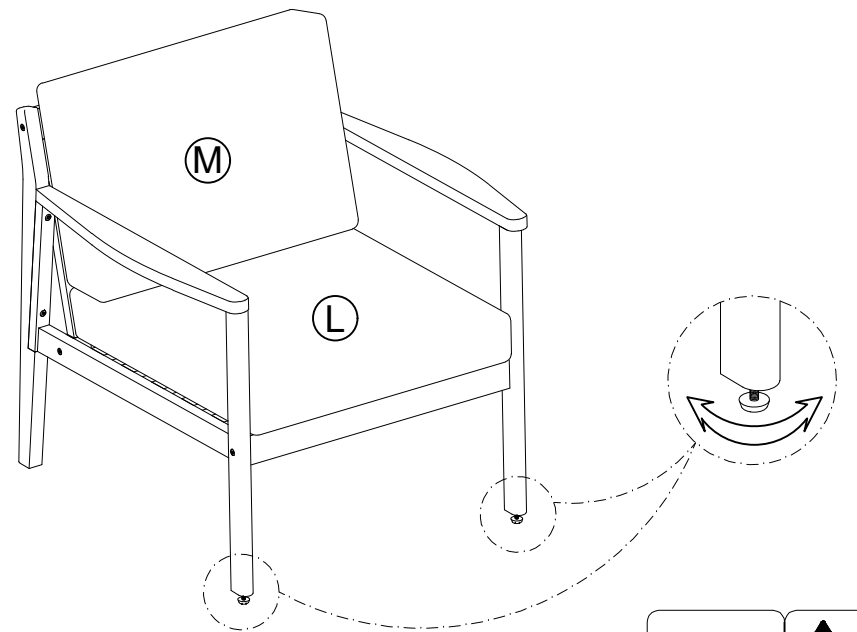


STEP 4.1

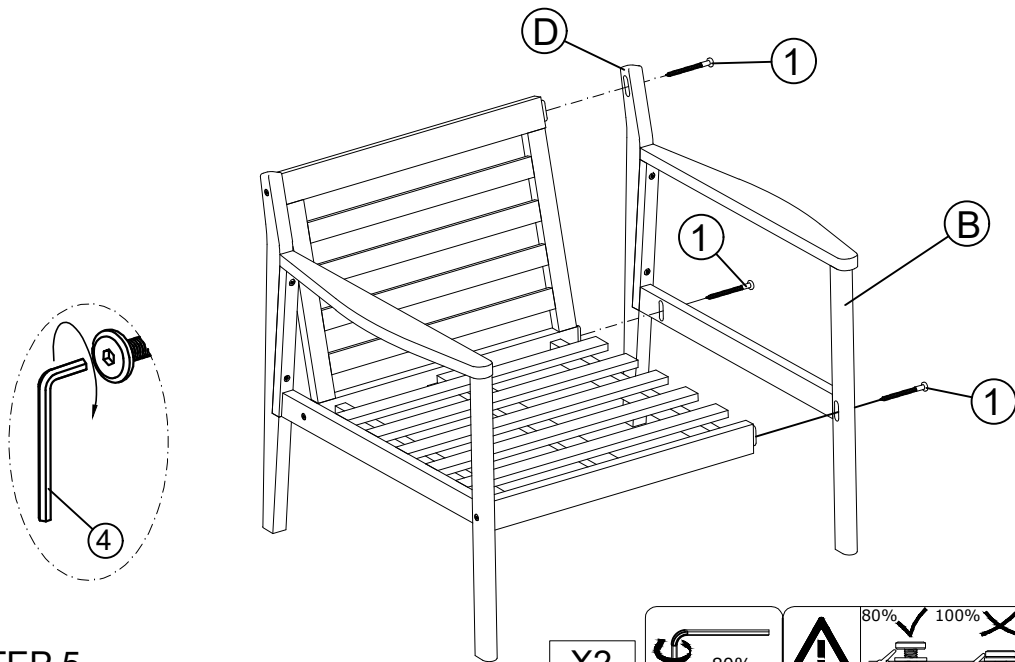
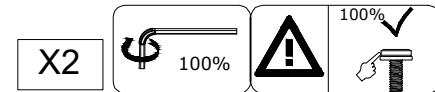
X2



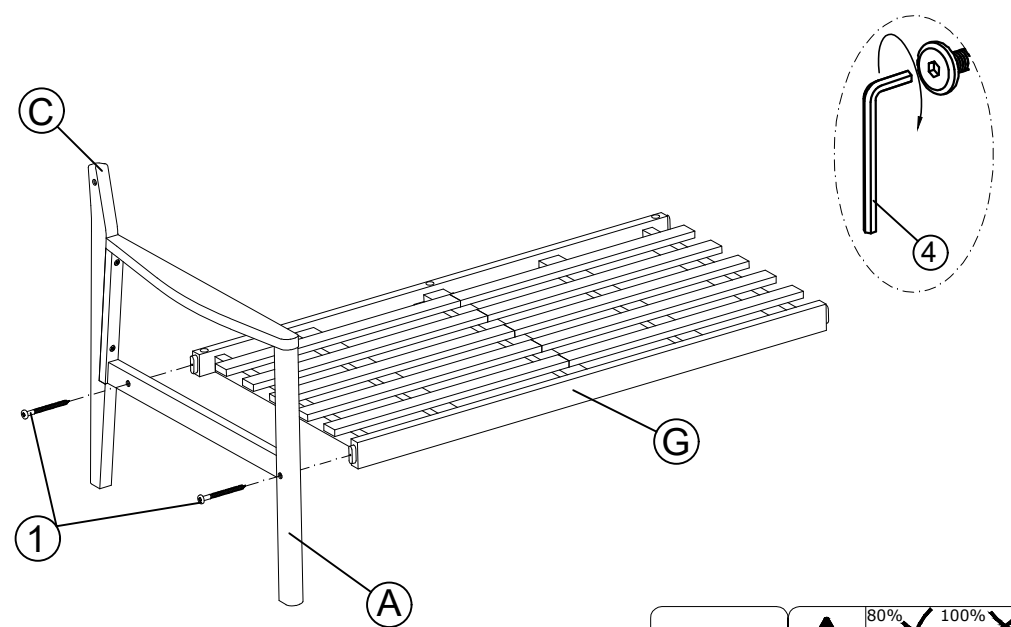
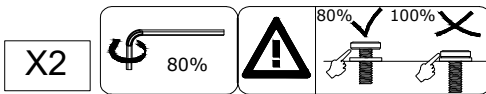
STEP 4.2



STEP 6

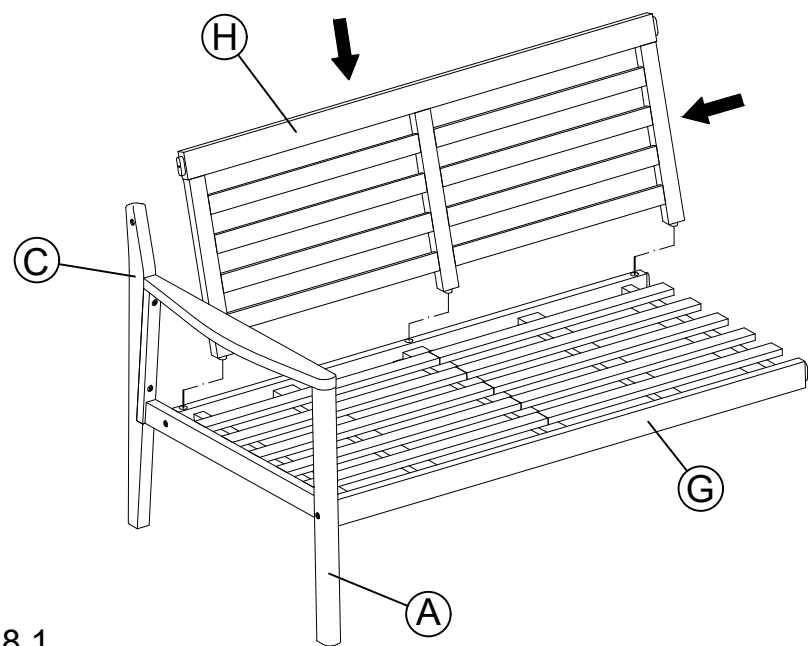


STEP 5

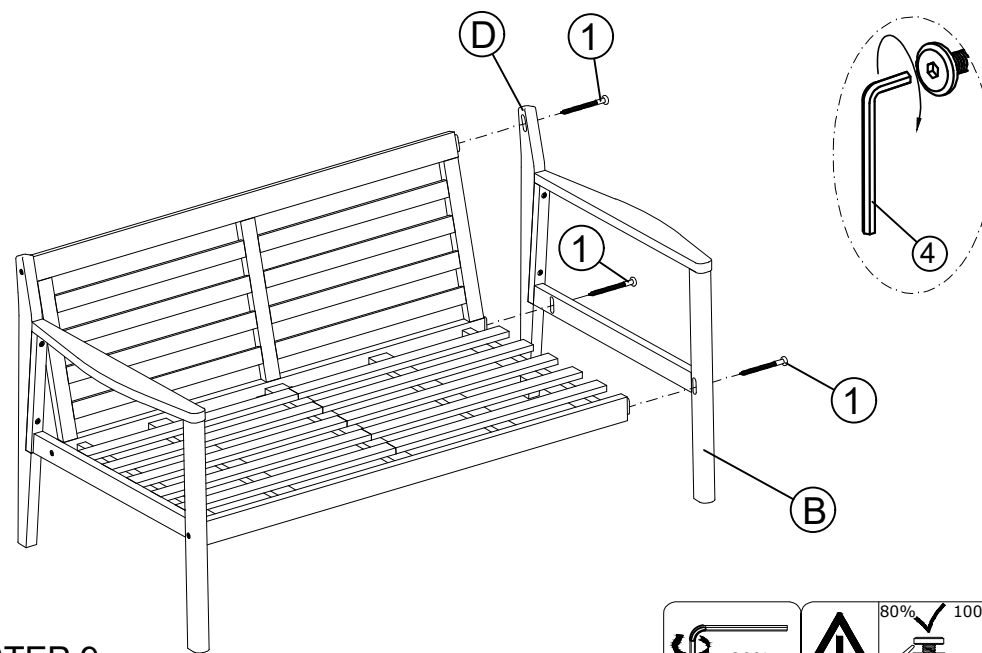


STEP 7

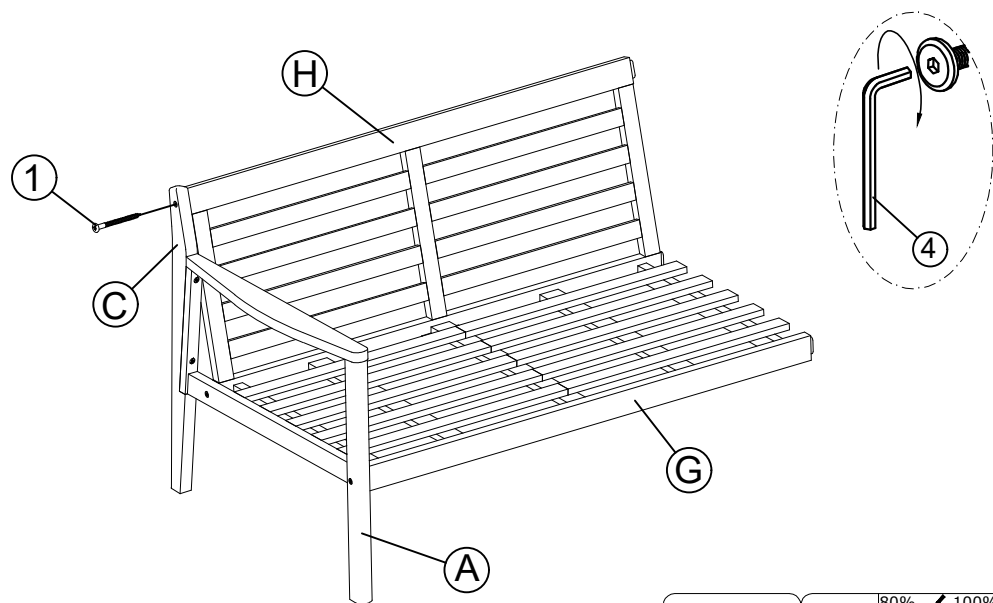




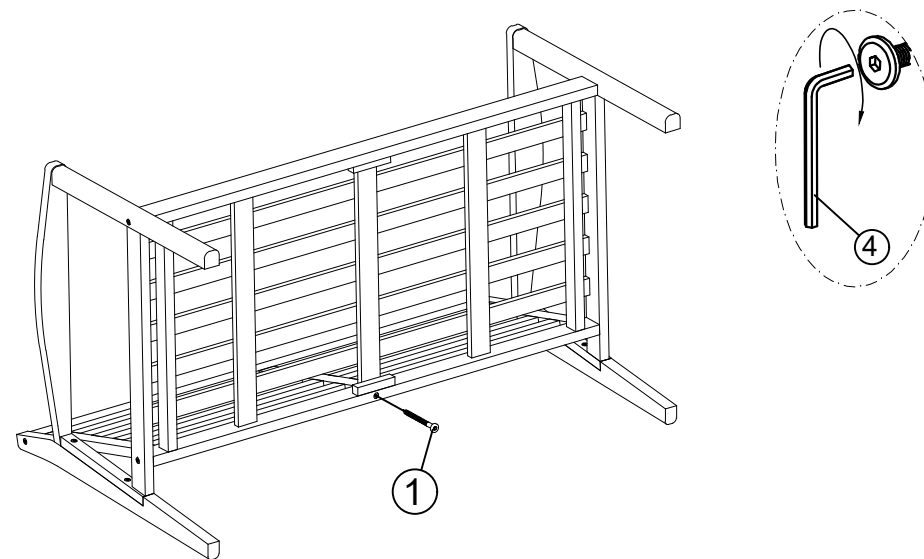
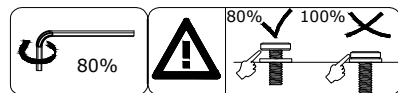
STEP 8.1



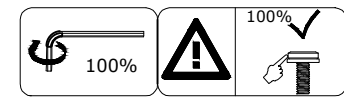
STEP 9

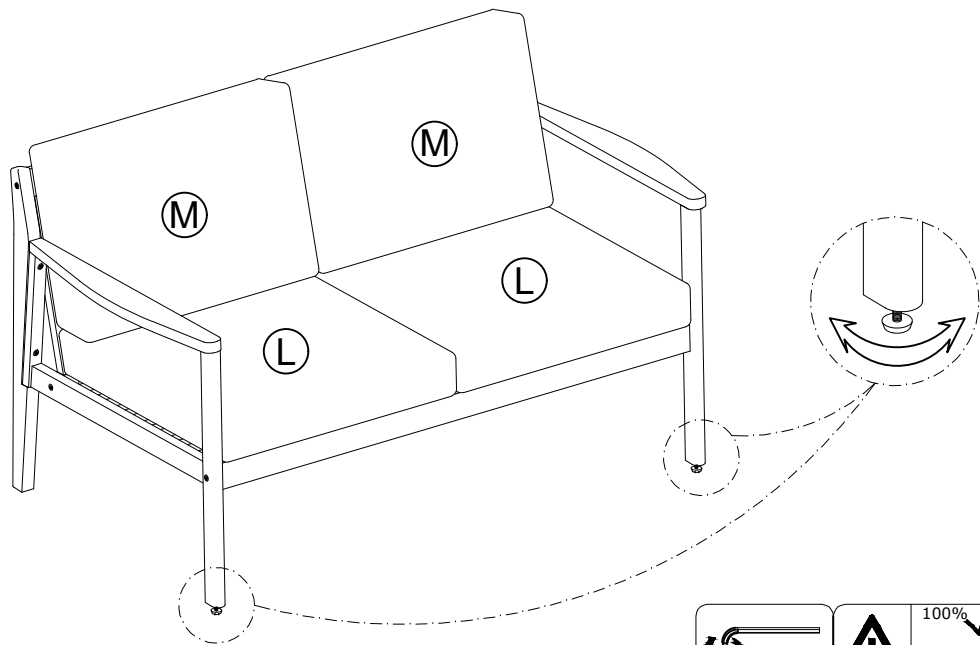


STEP 8.2

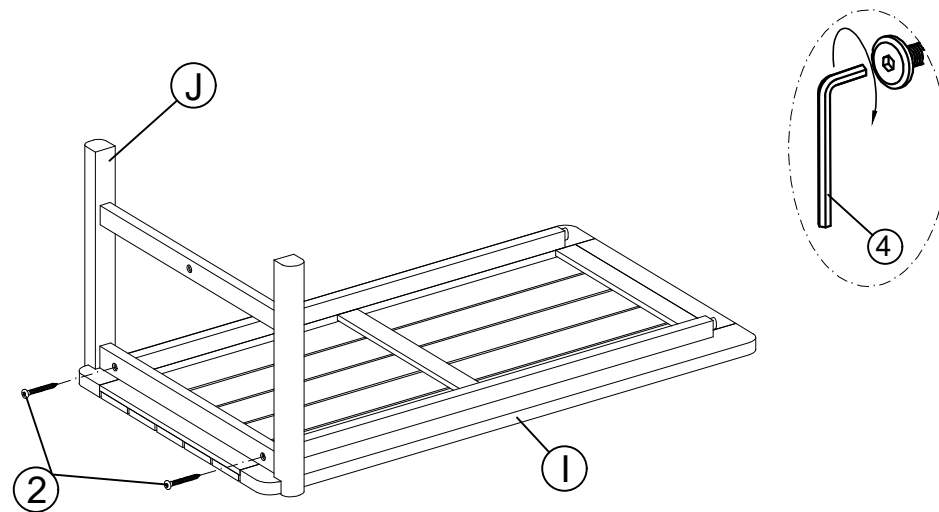
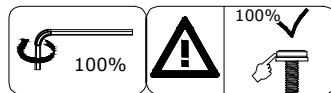


STEP 10

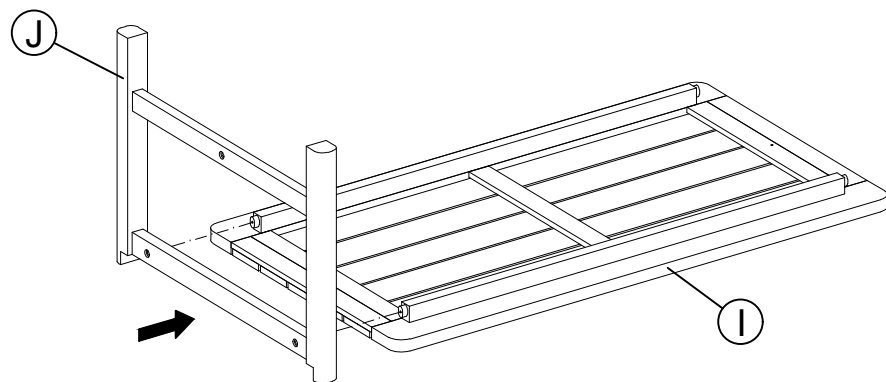




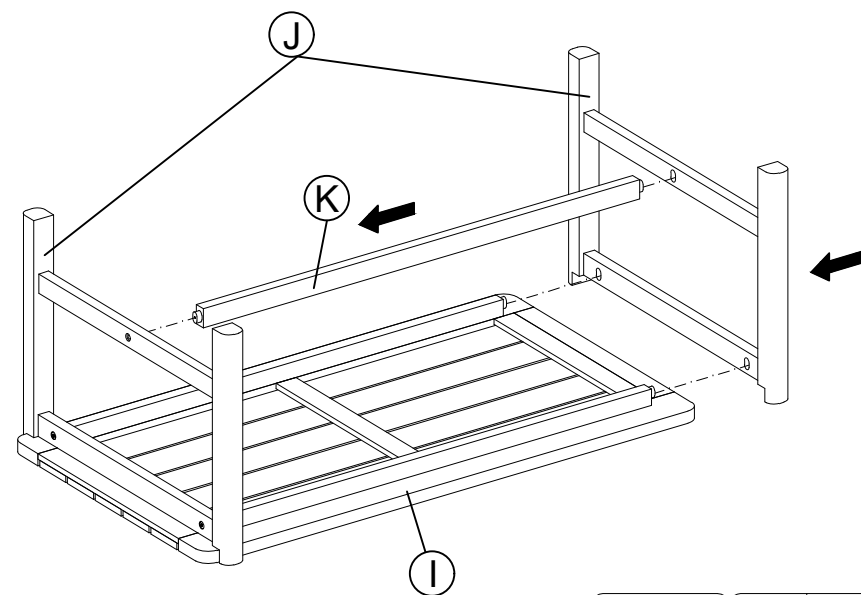
STEP 11



STEP 12.2

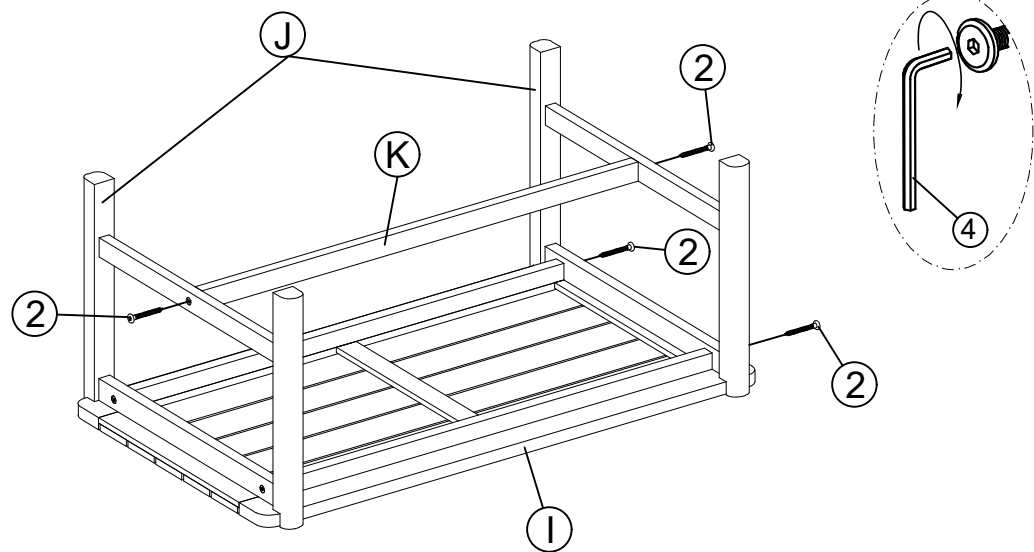


STEP 12.1

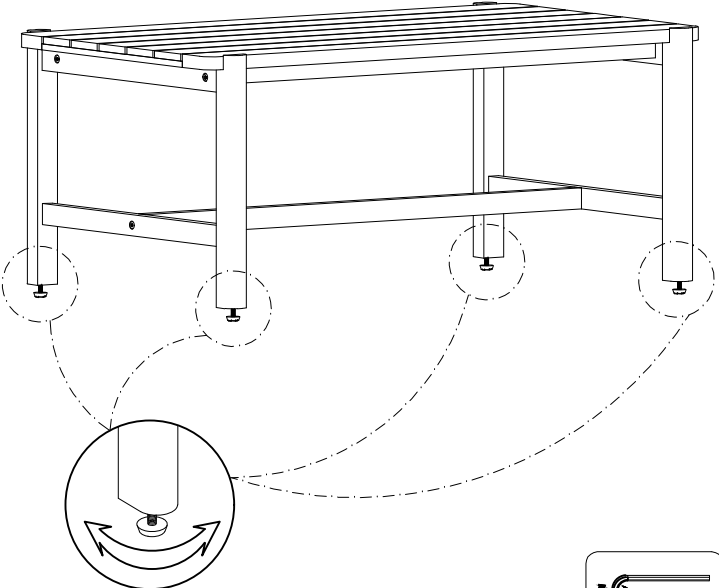
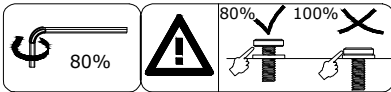


STEP 13.1

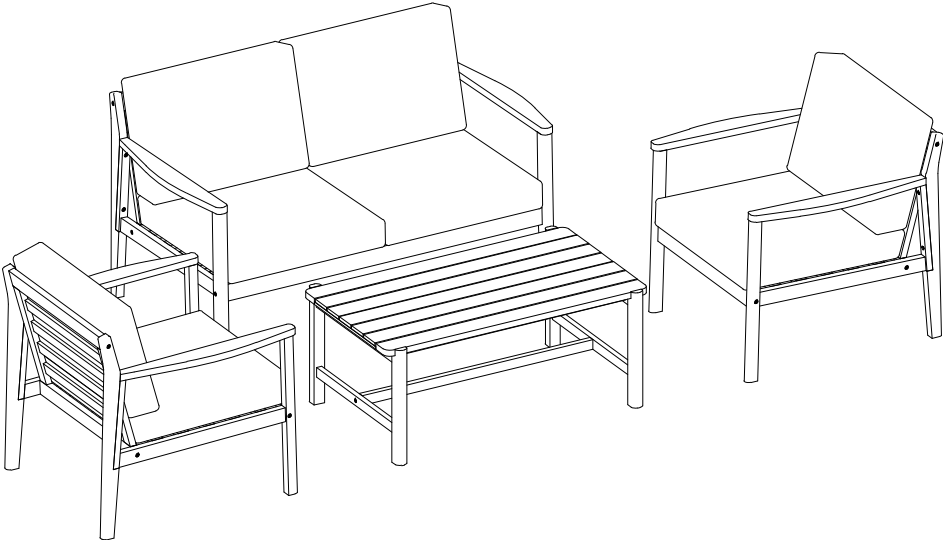




STEP 13.2



STEP 14



FINISH