

NOTICE

*Please make sure that you have all parts indicated and they are in good condition before you begin assembly of this item. Refer to part list and hardware list below for guidance.

*This item should be assembled on a soft surface to prevent scratching the finish during assembly.

*This item may require periodic tightening.

*If you are having difficulty, our friendly Customer Care team is always here to help.

PREPARATION

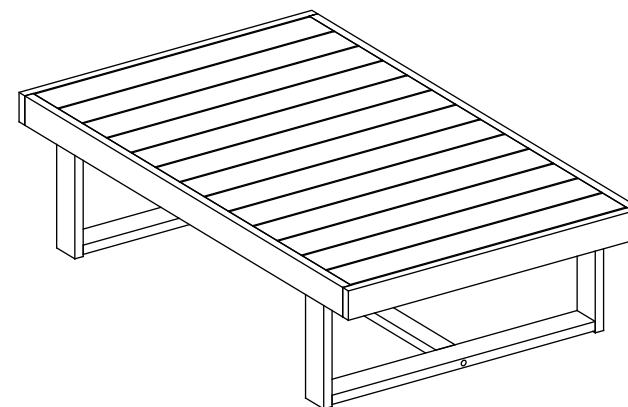
* Before beginning assembly of product, make sure all parts are present. Compare parts with part contents list and hardware contents list.

* If any part is missing or damaged, do not attempt to assemble the product.

* Estimated Assembly Time: 10 minutes.

* Tools Required for Assembly (included): Allen Key


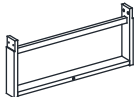
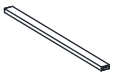



Product Dimensions: 50" W x 30.3" D x 13" H



CARE AND MAINTENANCE

Insert Care and Maintenance here

Part List and Hardware List

PIECE	DESCRIPTION	PICTURE	QUANTITY
A	Table Top		1X
B	Leg panel		2X
C	Cross Bar		1X
HW1	Allen Bolt: M6x0.5x25 mm	 M6 x 25	8X
HW2	Screw: M6 x0.5 x90 mm	 M6x90	2X
HW3	Allen key	 LG4	1X



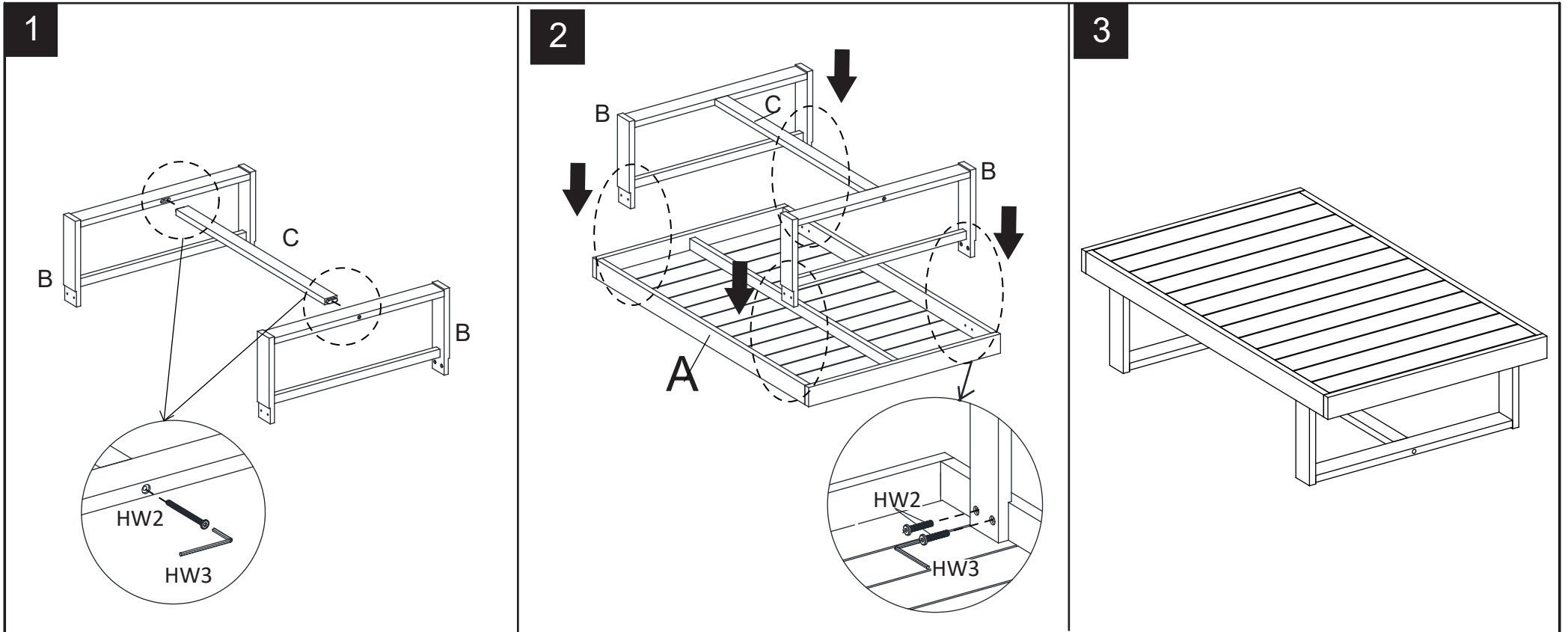
Weight Capacity :40 Ibs

Warning : Do not stand on Table

Warning : Do not over torque bolts / screws

PREPARATION

- *Before beginning assembly of product, make sure all parts are present. Compare parts with package contents list and hardware contents list.
- *If any part is missing or damaged, do not attempt to assemble the product.
- * Estimated Assembly Time : 10 minutes.
- * Tools Required for Assembly (included): Allen Key
- * If you are having difficulty, our friendly Customer care team is always here to help.



Step 1

Attach Leg Panel (B) to Cross Bar (C) ,
Use Screw (HW2) tighten with allen key (HW3).

Step 2

Place Table Top(A) facedown as shown above
Secure Support Bar(C) and Leg Panel(B) to Table Top(A)
by using Bolt(HW2) with Allen Key(HW3).

Step 3

Caution: This Table can only be used on
a flat, level surface