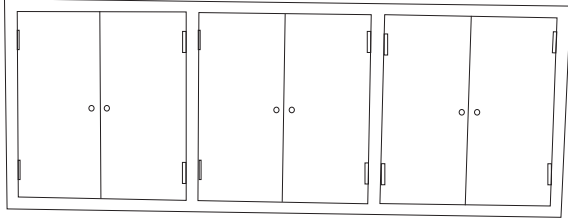
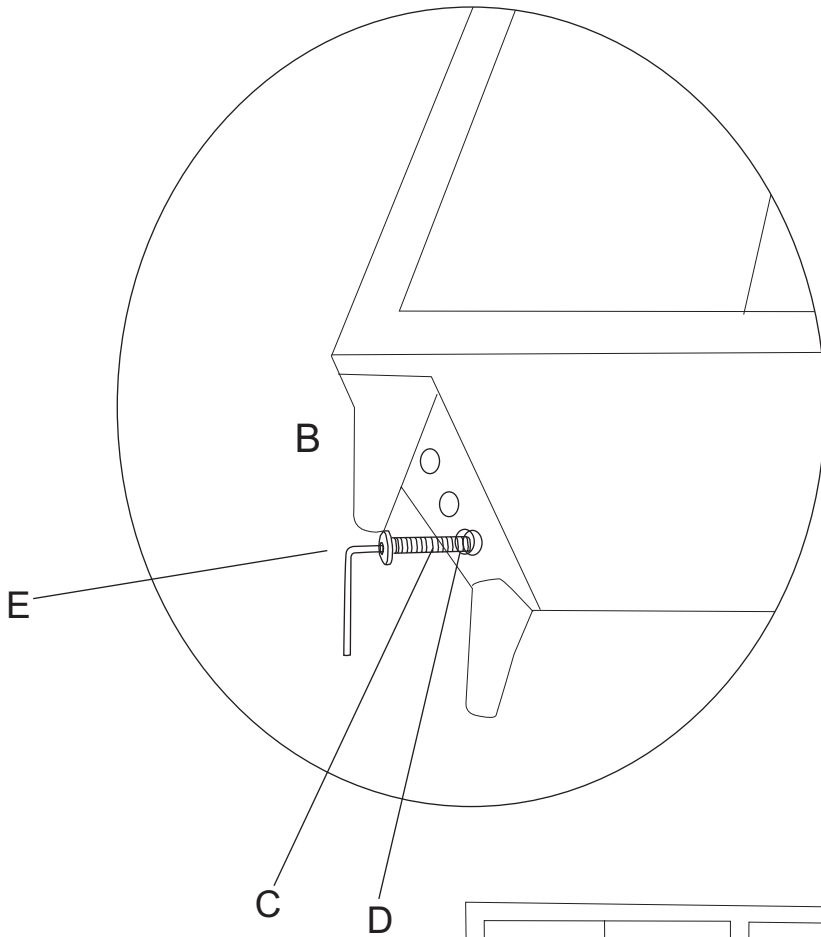


ASSEMBLY INSTRUCTIONS

A



B X 4



C  = X12

D  = X12

E  = X1

A

