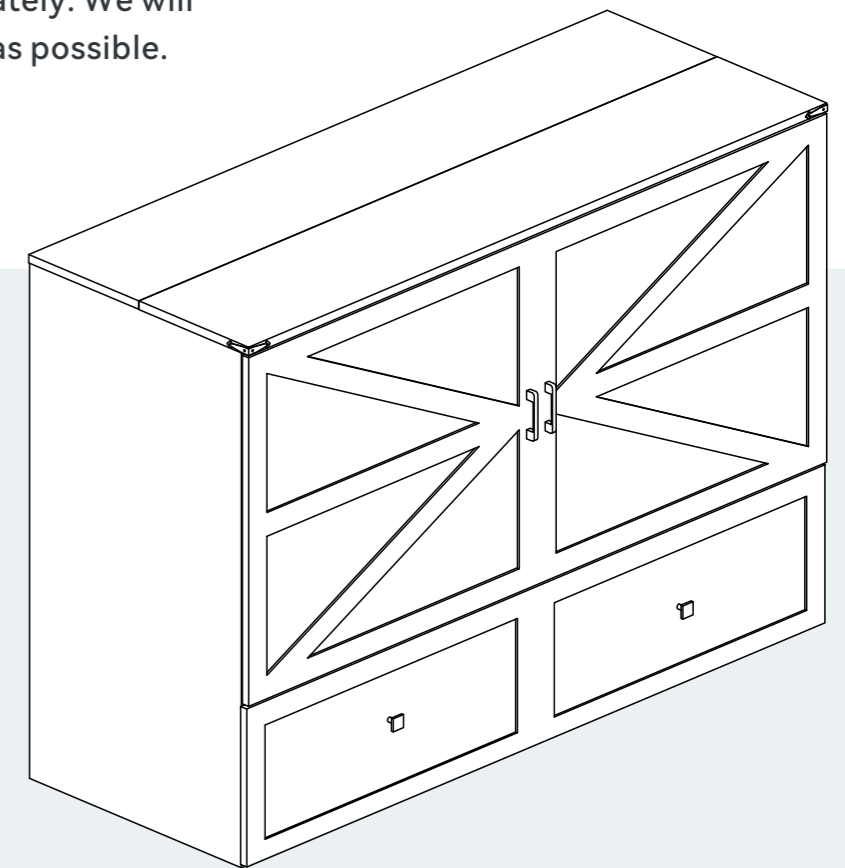


Panel Bed

Assembly Instruction - Please keep properly for future reference.

If you find any missing boxes, damaged parts, or accessory shortages, please contact the customer service team of your purchasing channel immediately. We will resolve the issue as quickly as possible.



THE FOLLOWING INFORMATION:

- Order number
- Purchase platform
- Purchase date
- Detailed description of the issue along with photos (if applicable)

Important – Please read these instructions carefully before starting the installation.

| Panel Bed

EN

Before Assembly



Thank you for choosing our product!

To ensure a smooth installation process, please read this guide carefully to familiarize yourself with the required tools, materials, and installation steps.

Follow the relevant sections to avoid any damage caused by improper installation, and make sure to review all operation and safety guidelines for correct installation procedures.

Packaging Notice:

If you find any missing boxes, damaged parts, or accessory shortages, please contact the customer service team of your purchasing channel immediately. We will resolve the issue as quickly as possible.

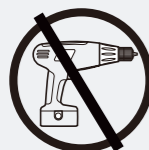
Safety and Care Advice



Important :

Please read these instructions fully before starting assembly.

- Check you have all the components and tools listed on the following pages.
- Remove all fittings from the plastic bags and separate them into their groups.
- Keep children and animals away from the work area, small parts could choke if swallowed.
- Make sure you have enough space to layout the parts before starting.
- During assembly do not stand or put weight on the product, this could cause damage.
- Assemble the item as close to its final position (in the same room) as possible.
- Assemble on a soft level surface to avoid damaging the unit or your floor.
- Parts of the assembly will be easier with 2 people.



- To reduce the likelihood of damaging your product please ensure that your power drill is set on a low torque setting.

Care and Maintenance

- Only clean using a damp cloth and mild detergent, do not use bleach or abrasive cleaners.
- From time to time check that there are no loose screws on this unit.
- This product should not be discarded with household waste. Take to your local authority waste disposal center.

Handy Hints

- Assemble all parts and bolts loosely during assembly, only once the product is complete should you fully tighten the bolts.
- Regularly check and ensure that all bolts and fittings are tightened properly.

Warning

In order to help prevent overturning, please follow these instructions.

- Use the anti tip strap or wall fixing method provided (if applicable).
- Do not allow children to climb or hang on the furniture.
- Do not open more than one drawer at a time.
- Do not place heavy items in the top drawers.
- Do not place heavy items on top of the furniture, unless the furniture has been designed for this purpose.
- Please note that only the anti tip strap is provided. You will need to provide wall plugs and screws applicable for your wall type.

Safety Instructions / Warnings



Please read and follow all instructions carefully before installation and use.

WARNING:

Risk of electric shock – Do not open or disassemble electrical parts.

- Use only the power cord specifically provided for this product. Plug rating: 110-240V~, 1500W, USB output: DC 5V / 2A.
- Do not use with damaged power cords or plugs.
- Keep power cables away from moving or sharp parts of the furniture.

- Do not use extension cords or power strips unless specifically approved for the load.
- This product is **not a toy**. Do not allow children to play with electrical components or moving parts.
- Children under 8 years old must be kept away from the furniture unless continuously supervised.
- Keep remote controls, control switches, and ports out of children's reach.
- Always **disconnect the product from power** before cleaning, maintenance, or relocation.
- Do not attempt to open, modify, or repair electrical components.
- **Repairs must be performed by qualified professionals only.**
- Do not insert any foreign objects into openings or mechanisms.
- Clean with a dry cloth or a slightly damp soft cloth. Do not use solvents.
- This product is intended **for indoor** use only in dry environments.
- Do not expose the furniture to moisture, liquids, or direct sunlight.
- * Ensure stability and clearance around any moving parts (e.g., lift mechanisms, recliners).
- Do not overload power outlets or USB ports beyond the specified ratings.
- **Always unplug the product when it is not in use.**

FCC Information:

CAUTION: Changes or modifications not expressly approved by the party responsible for compliance could void the user's authority to operate the equipment!

This device complies with Part 15 of the FCC Rules. Operation is subject to the following two conditions:

- 1) This product may cause harmful interference.
- 2) This product must accept any interference received, including interference that may cause undesired operation.

WARNING: Changes or modifications to this product not expressly approved by the party responsible for compliance could void the user's authority to operate the product.

Note: This product has been tested and found to comply with the limits for a Class B digital device pursuant to Part 15 of the FCC Rules, These limits are designed to provide reasonable protection against harmful interference in a residential installation.

This product generates, uses and can radiate radio frequency energy, and if not installed and used in accordance with the instructions, may cause harmful interference to radio communications. However, there is no guarantee that interference will not occur in a particular installation. If this product does cause harmful interference to radio or television reception, which can be determined by turning the product off and on, the user is encouraged to try to correct the interference by one or more of the following measures.

- Reorient or relocate the receiving antenna.
- Increase the distance between the product and receiver.
- Connect the product to an outlet on a circuit different from that to which the receiver is connected.
- Consult the dealer or an experienced radio/TV technician for assistance.

Customer Service Guide



Thank you for choosing our product! We are committed to providing you with excellent service. If you find any missing parts, damaged packaging, or product damage after receiving all packages, please follow the steps below to quickly contact our customer service team. We will do our best to resolve your issue.

1. Missing Parts

Verify Parts:

1. Refer to the "Parts List" in the manual to verify the name, specifications, and quantity of the missing parts.
2. Take a clear photo of the parts list and mark the missing parts with detailed information, e.g., "Missing 5 pieces of M6×30mm screws."

Contact Us:

By Email:

Send an email, with the subject line "Missing Parts Issue." Include the following in the email:

- A description of the missing parts and a photo of the parts list.
- Order details (order number, purchase platform, purchase date).

2. Product or Packaging Damage

If it affects normal use:

Steps:

1. Take clear photos or videos showing the damaged parts and the extent of the damage (multi-angle shots are recommended).
2. Email the photos/videos along with order details, with the subject line "Product Damage Issue."

Resolution:

After verification, we will arrange for a replacement part, product exchange, or refund as quickly as possible.

If it does not affect normal use:**Steps:**

1. Contact our customer service team (by email: service@grandtunnel.com).
2. Provide a description of the damage and include relevant photos or videos.

Resolution:

We will provide repair guidance or an appropriate compensation plan based on the specific situation.

Helpful Tips

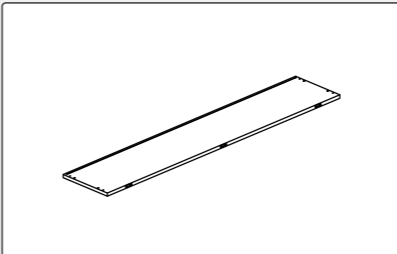
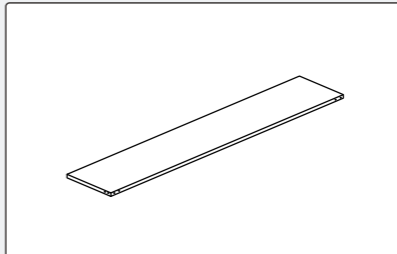
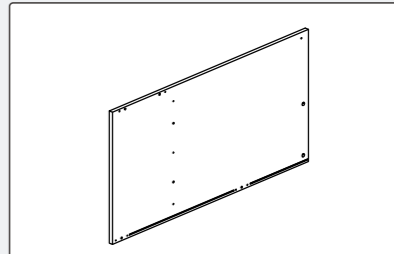
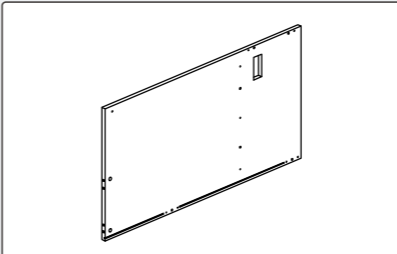
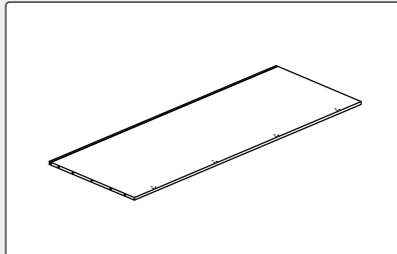
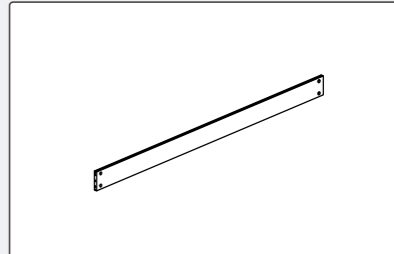
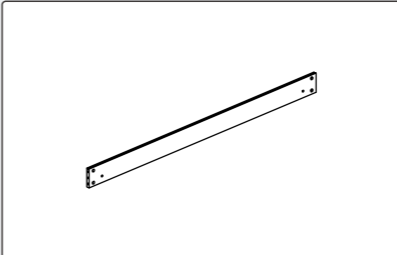
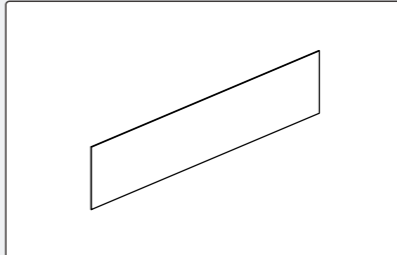
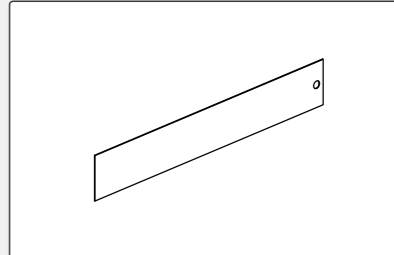
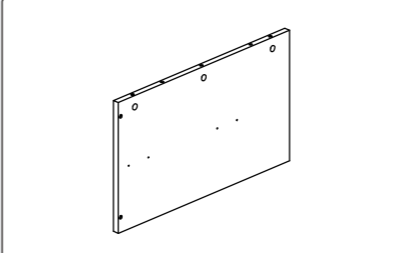
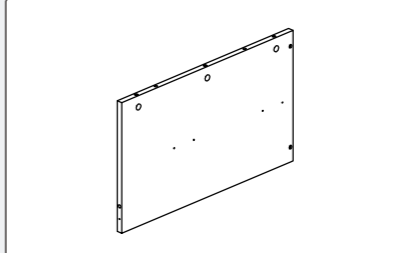
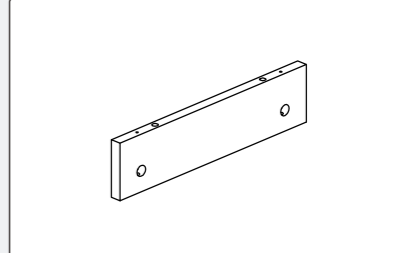
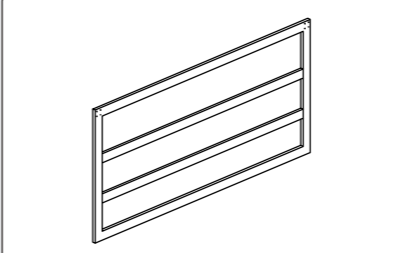
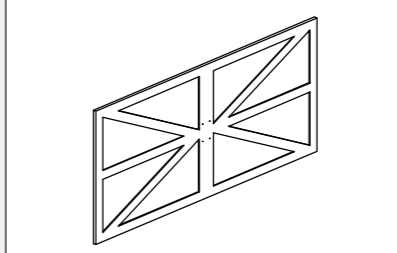
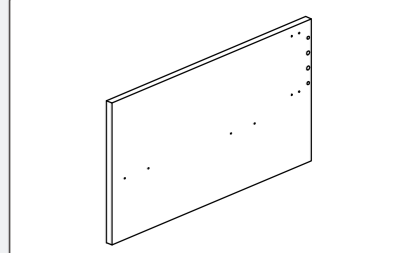
To process your issue efficiently, please prepare the following information:

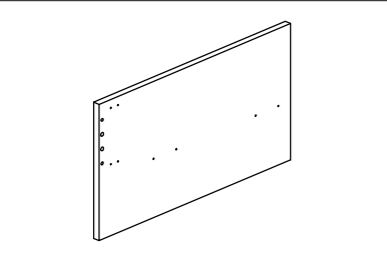
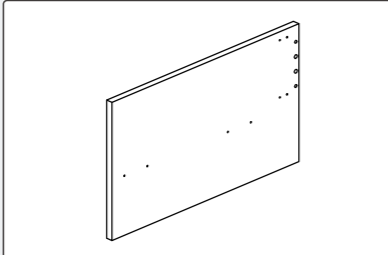
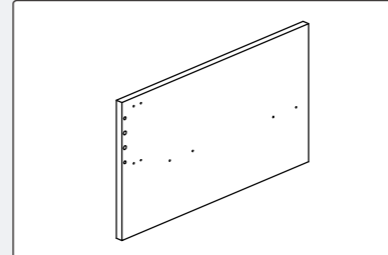
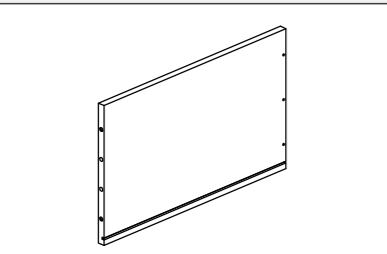
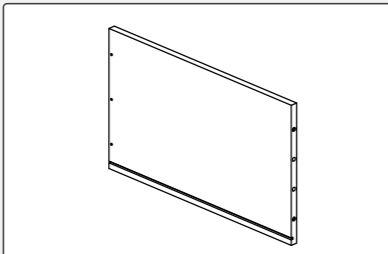
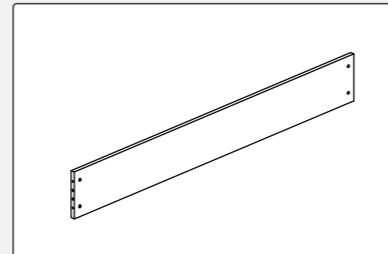
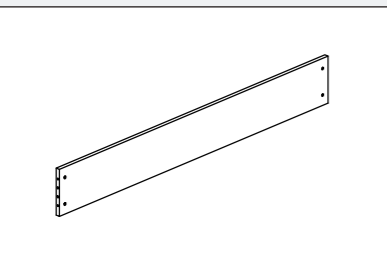
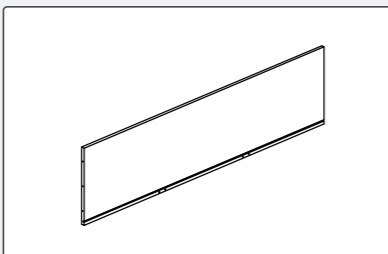
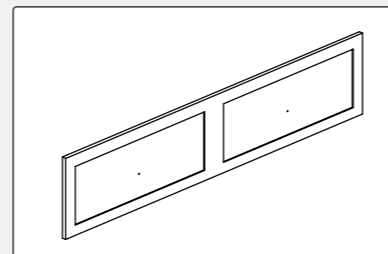
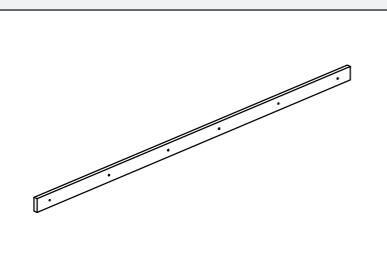
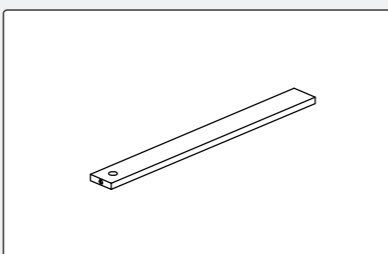
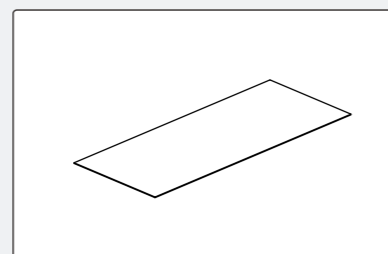
- Order details (order number, purchase platform, purchase date).
- Clear photos or videos.
- We are committed to providing quick and professional solutions, no matter the size of the issue, to ensure your satisfaction.

Thank you for your trust and support!
We hope you enjoy using our product!

Parts List - Panels

Please check you have all the panels listed below.

		
1 1025x300x15mm x1	2 1025x300x15mm x1	3 1013x580x15mm x1
		
4 1013x580x15mm x1	5 990x580x12mm x1	6 990x100x15mm x1
		
7 999x100x15mm x1	8 1000x295x5mm x2	9 1000x237x5mm x1
		
10 555x329x12mm x1	11 555x329x12mm x1	12 329x80.5x12mm x2
		
13 984x665x15mm x1	14 1020x665x15mm x1	15 536x300x12mm x1

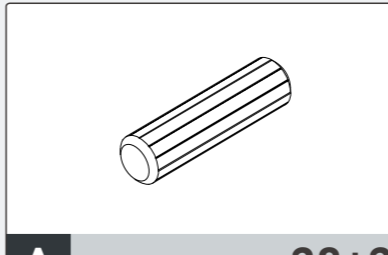
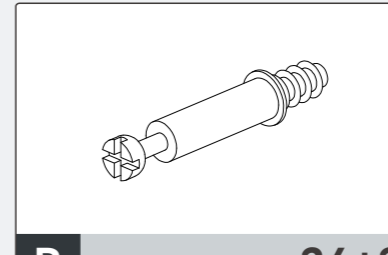
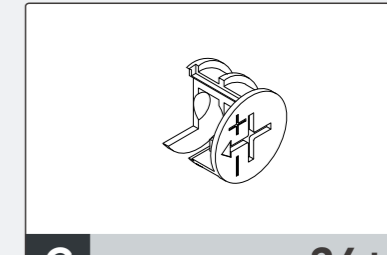
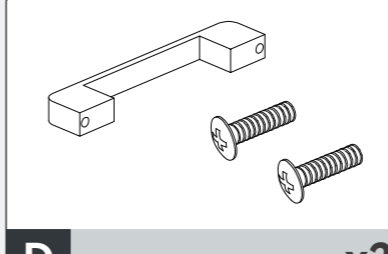
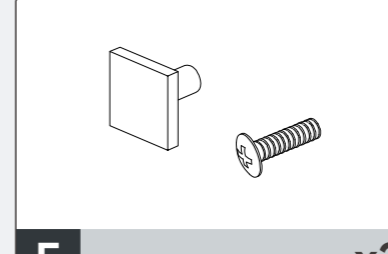
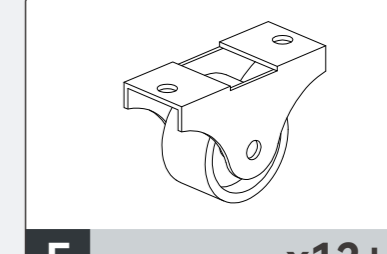
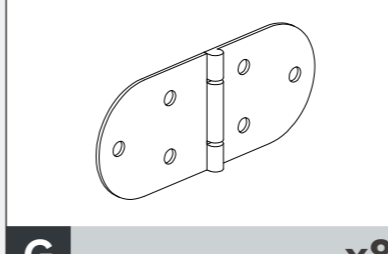
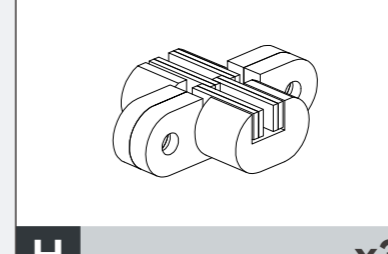
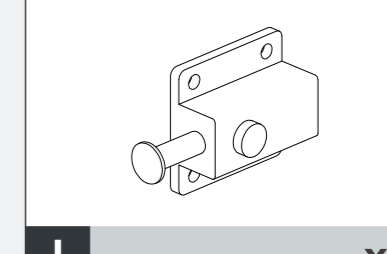
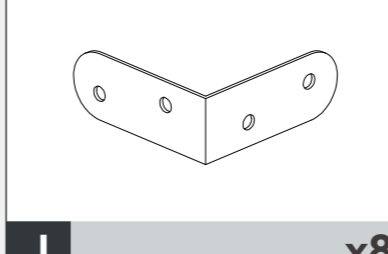
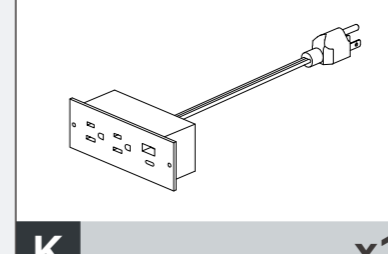
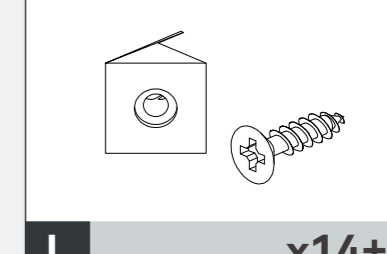
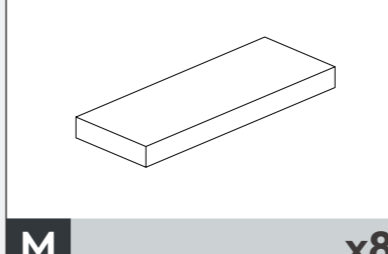
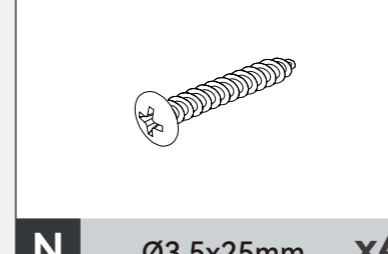
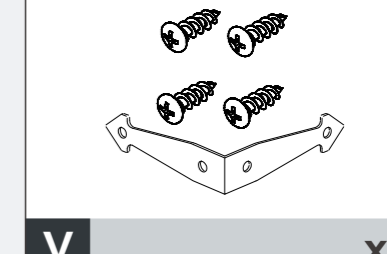
		
16 536x300x12mm x1	17 518x300x12mm x1	18 518x300x12mm x1
		
19 500x300x12mm x1	20 500x300x12mm x1	21 755x170x12mm x1
		
22 705x170x12mm x1	23 655x300x12mm x1	24 1020x333x15mm x1
		
25 653x45x12mm x1	26 488x60x12mm x2	27 665x500x5mm x1

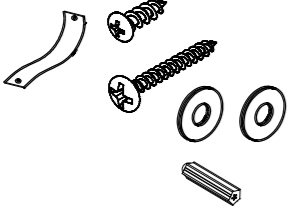
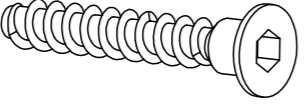
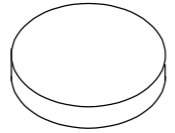
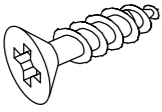
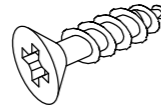
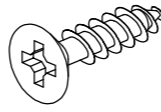
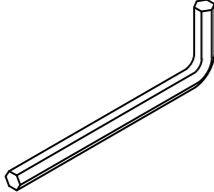
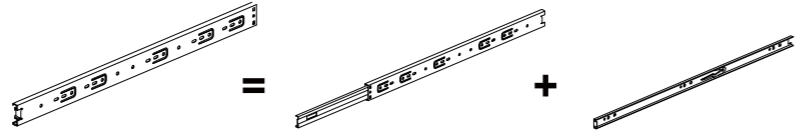
Parts List - Fittings



Please check you have all the fittings listed below.

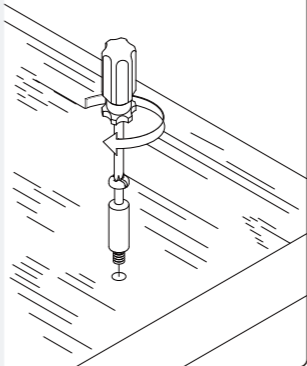
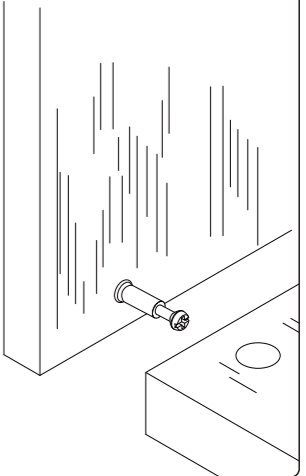
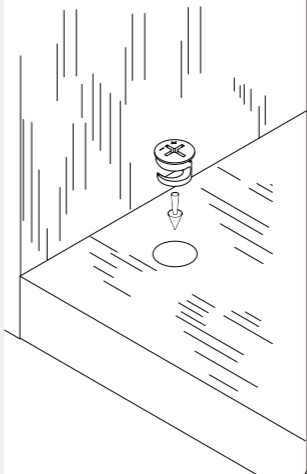
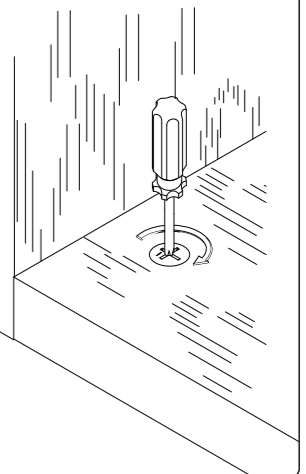
Note: The quantities below are the correct amount to complete the assembly. In some cases more fittings may be supplied are required.

		
A Ø6x30mm x38+3	B Ø6x28mm x34+3	C Ø15x9.5mm x34+3
		
D x2	E x2	F x12+1
		
G x8	H x3	I x2
		
J x8	K x1	L x14+1
		
M x8	N Ø3.5x25mm x4	V x2

		
P x2	Q Ø5x40mm x24+2	R x4
		
S Ø3x16mm x12+1	T Ø3.5x12mm x108+5	U Ø3x12mm x48+4
		
W #3 x1	Y x6 Y-1	Y-2 x6

Using Camlocks



<p>Step 1</p> <p>Connect the male camlock as directed in the assembly instructions using a screwdriver.</p> <p>DO NOT OVER TIGHTEN.</p> 	<p>Step 2</p> <p>Push the male camlock into the entry hole.</p> 
<p>Step 3</p> <p>Insert the female camlock as shown in the instructions.</p> <p>Note: ensure that the arrow on the top of the camlock points towards the entry hole for the male camlock.</p> 	<p>Step 4</p> <p>Turn the female camlock clockwise with a screwdriver.</p> <p>You should feel a click when the camlock is locked in place.</p> <p>The joint is now secure.</p> 

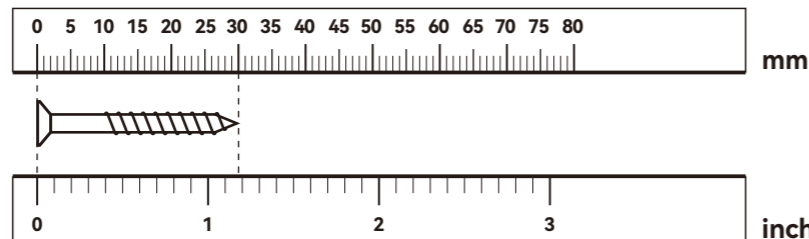
Tools required



Phillips screwdriver (medium & large)

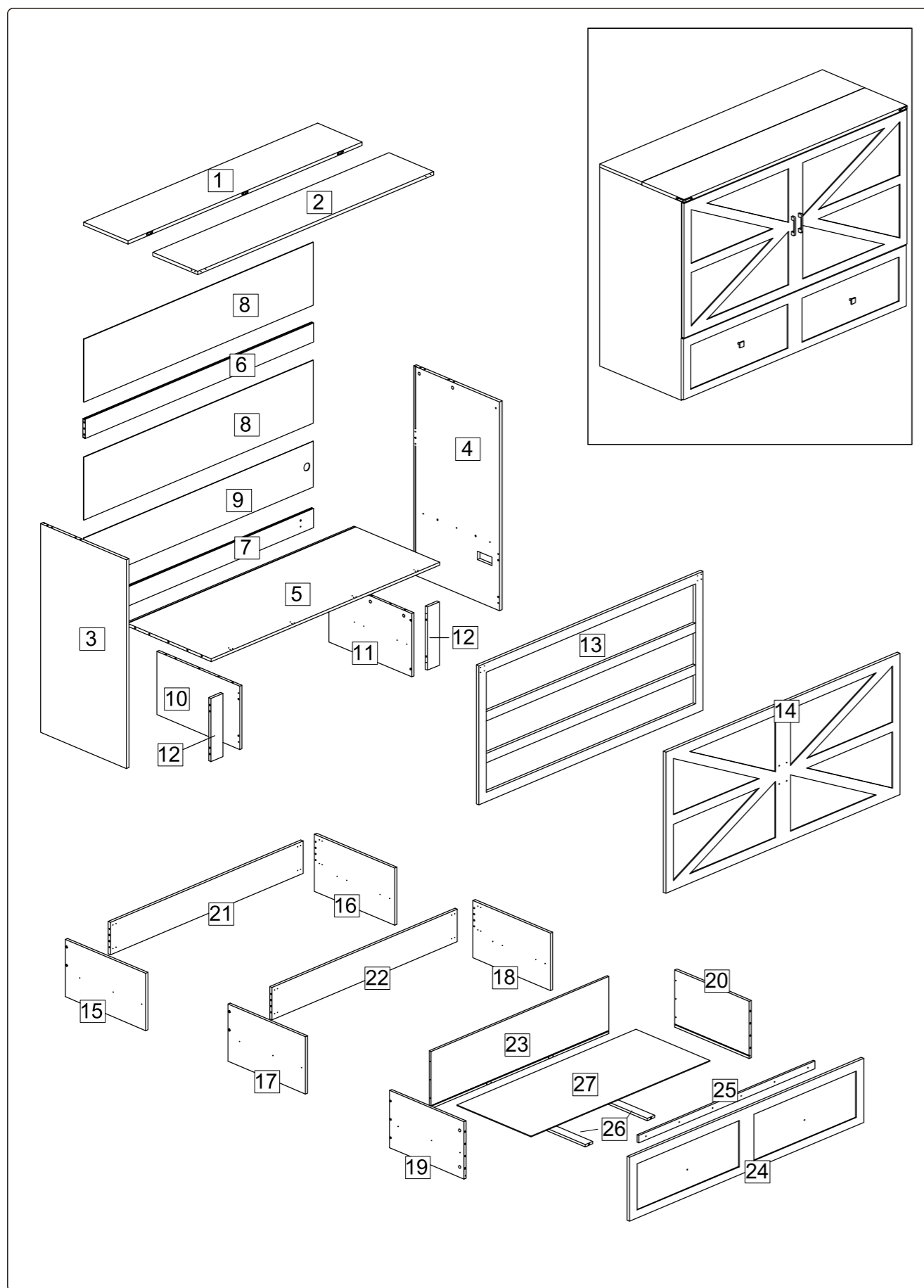
Ruler

Use this ruler to help correctly identify the screws

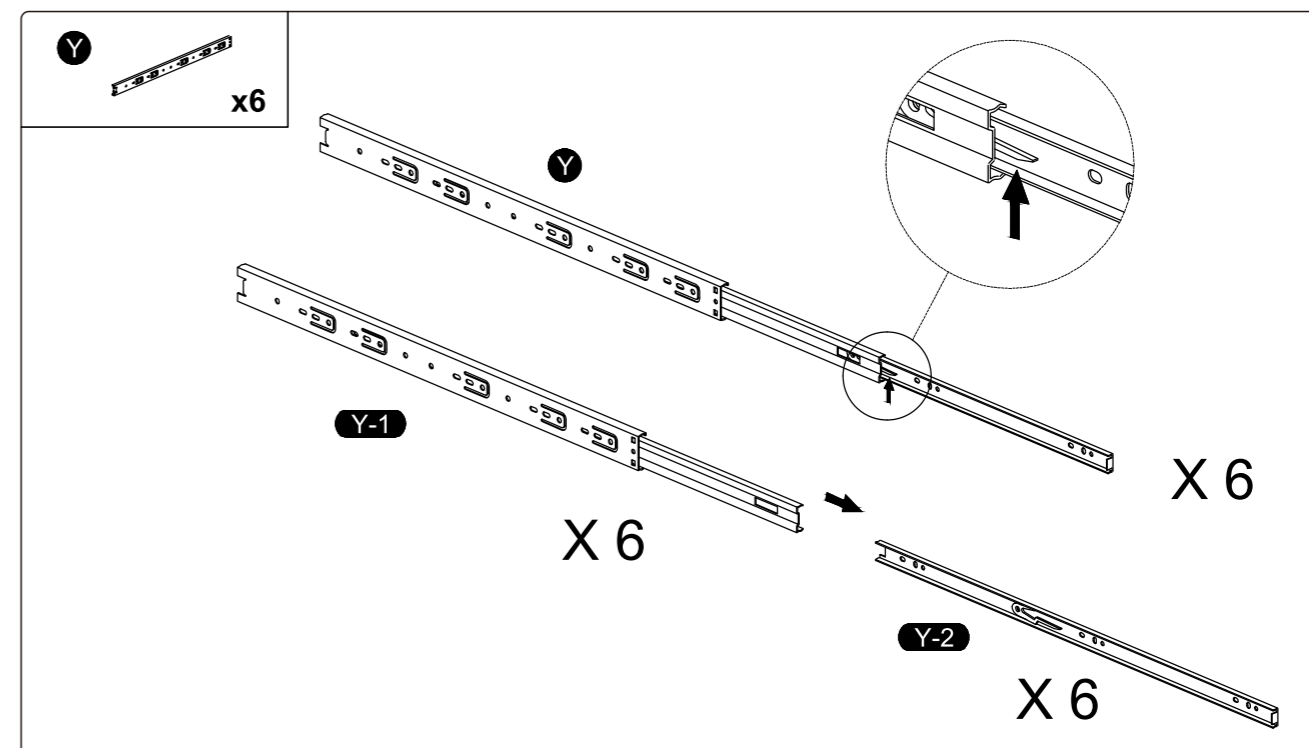


The screws length is measured from the head to the point (30mm screw shown).

Assembly Instructions

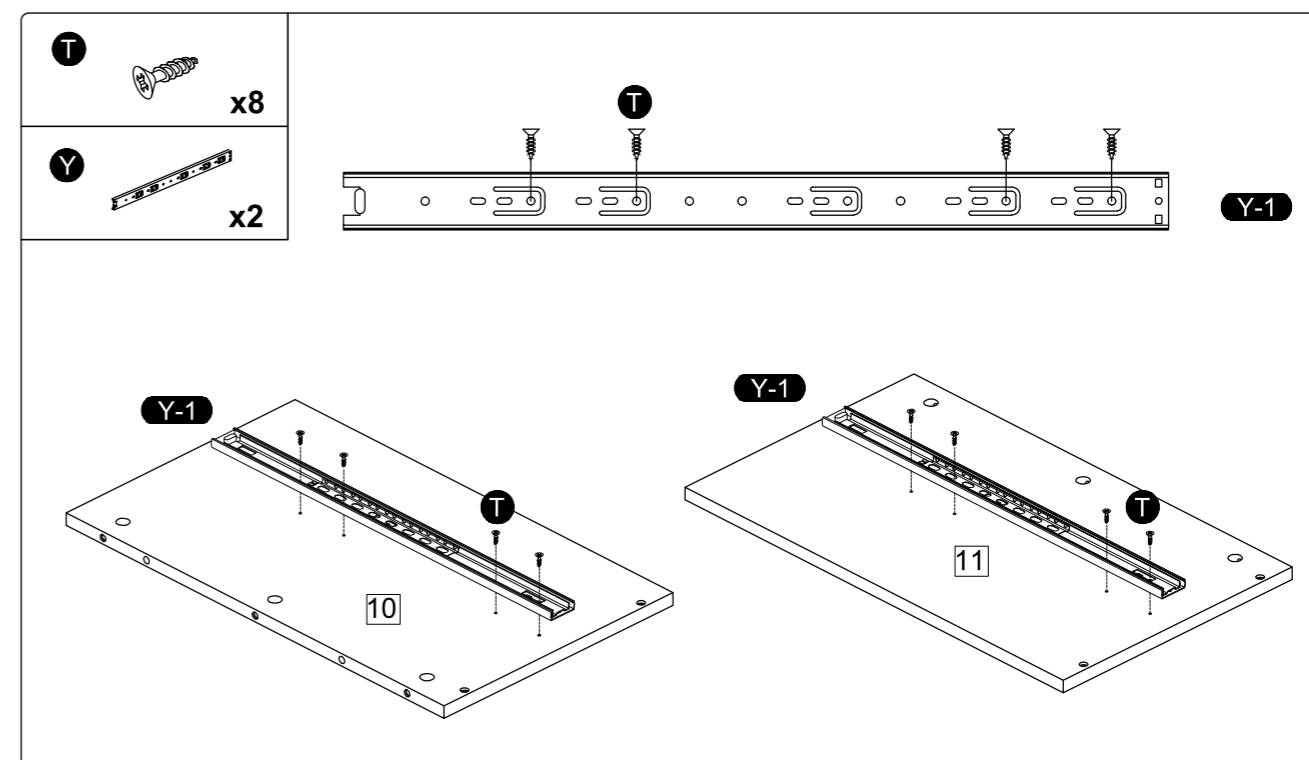


Step 1



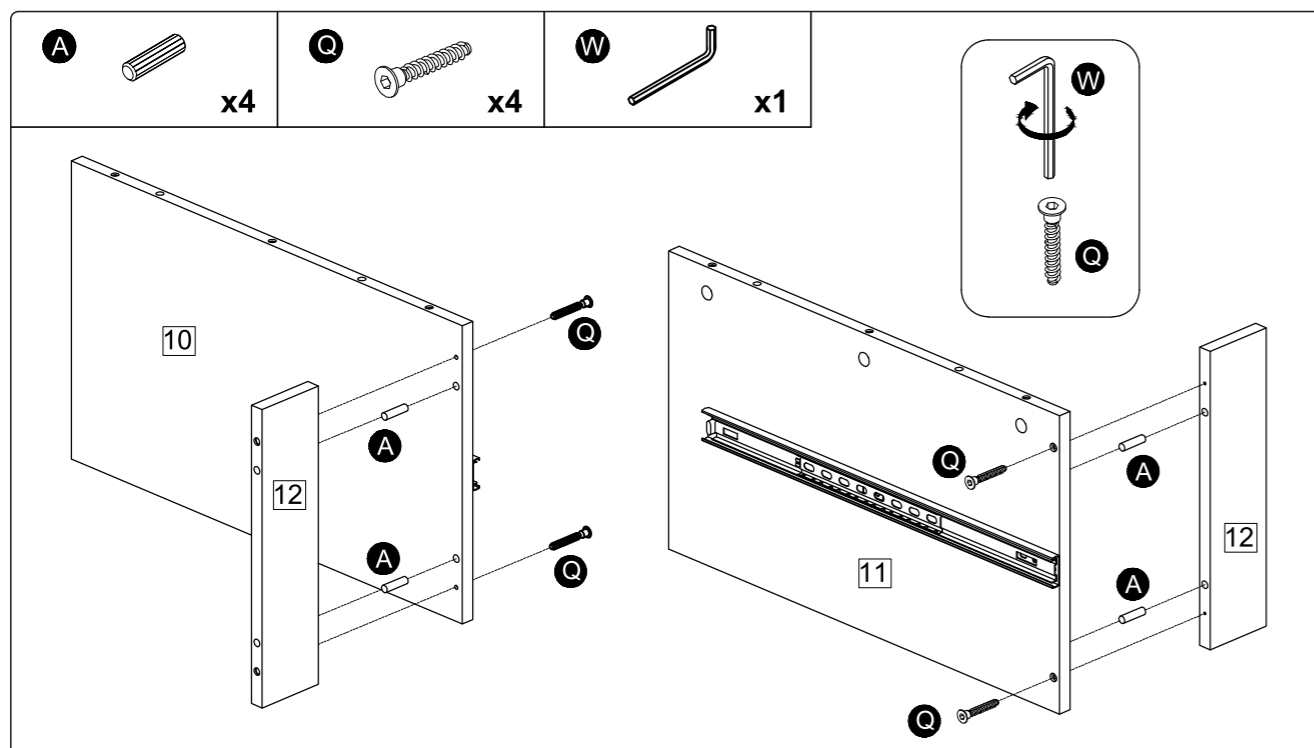
Separate the three-section drawer slides (Y) into parts (Y-1) and (Y-2) for easier installation later.

Step 2



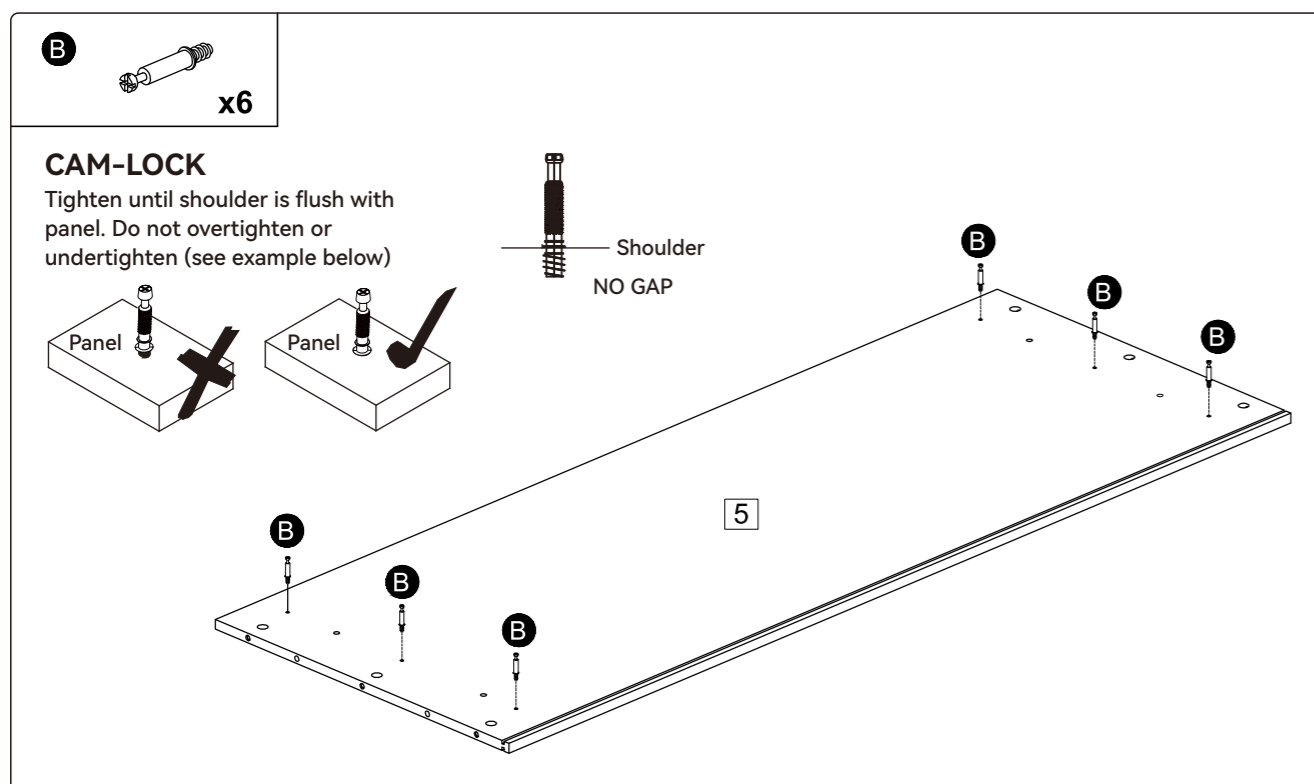
Install the three-section slides (Y-1) onto panels (10) and (11) using the self-tapping screws (T).

Step 3



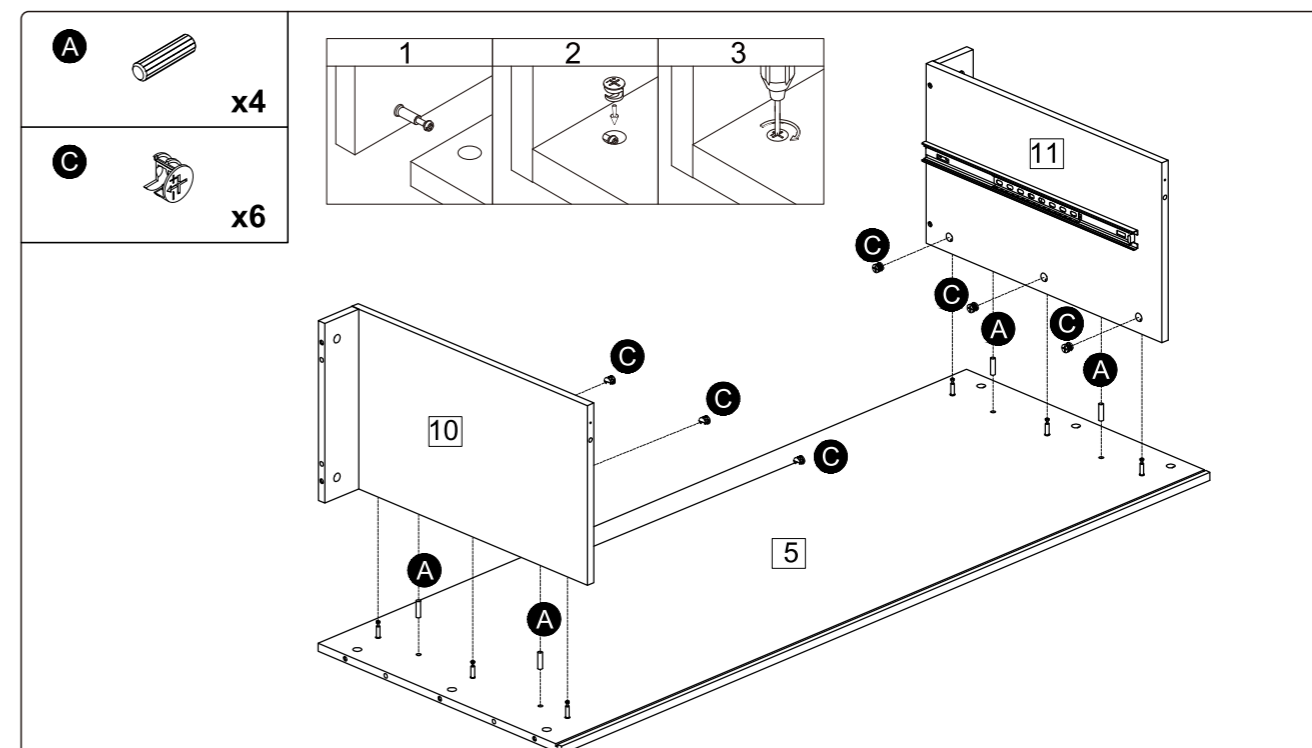
Attach panel (12) to panels (10) and (11) using wooden dowels (A) and cross dowels (Q), then tighten the cross dowels (Q) using the wrench (W).

Step 4



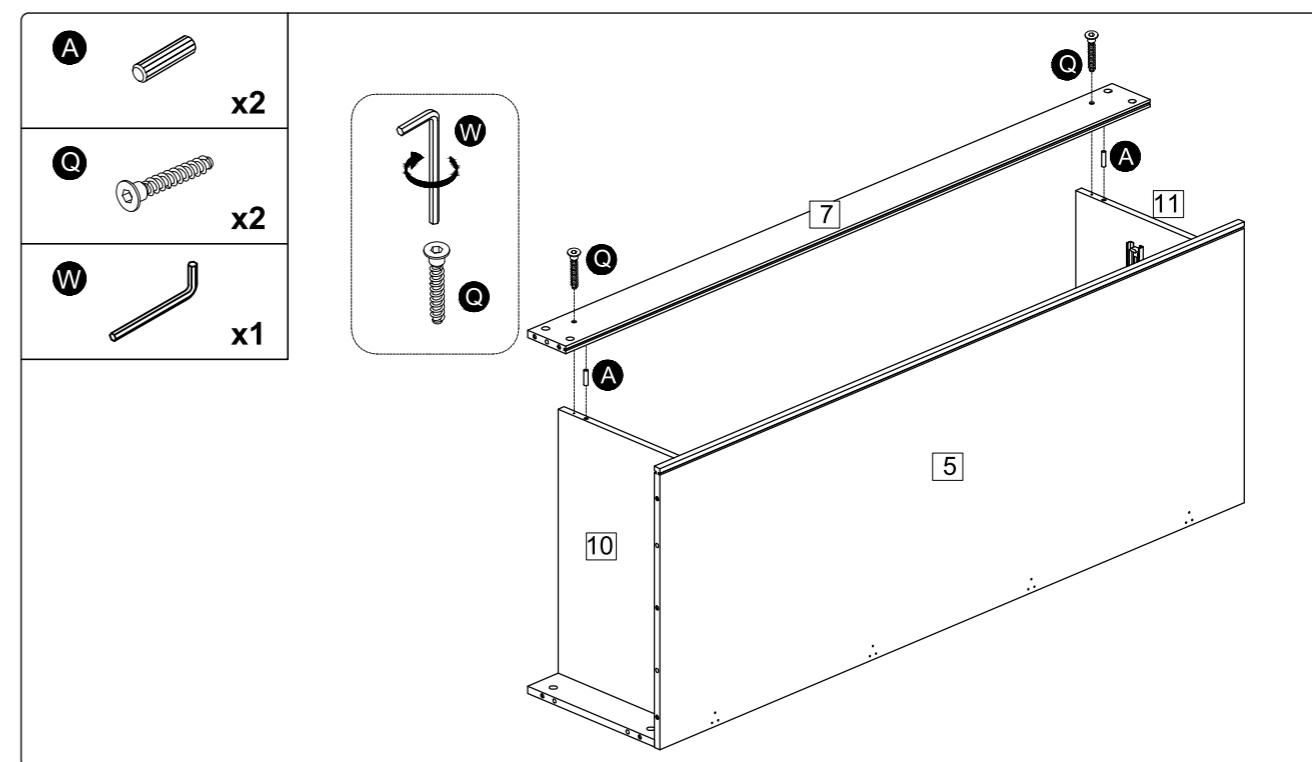
Install the two-in-one bolts (B) into the corresponding holes of panel (5).

Step 5



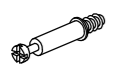
Connect the assembled panels (10) and (11) to panel (5) using wooden dowels (A) and cam locks (C).

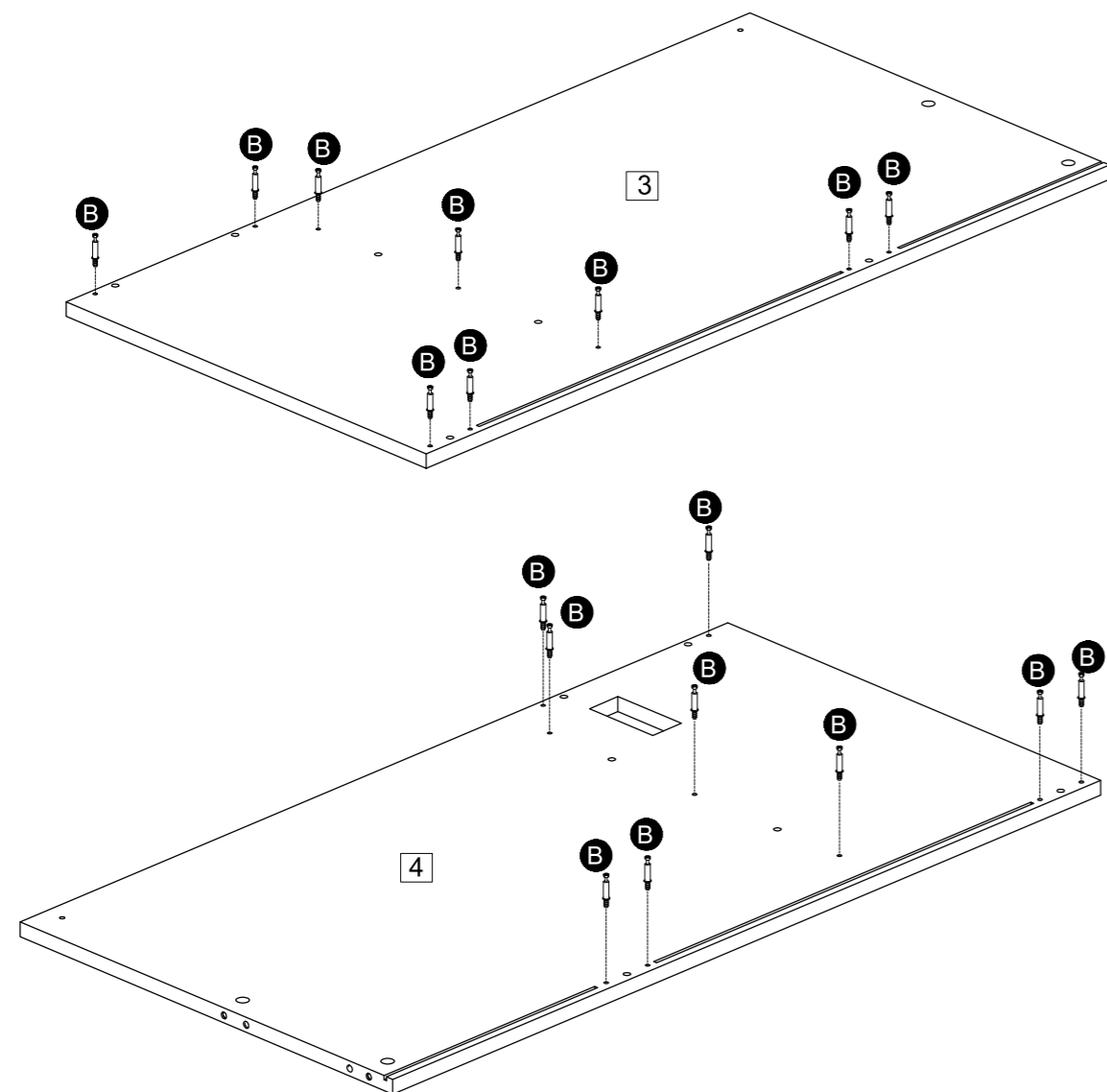
Step 6



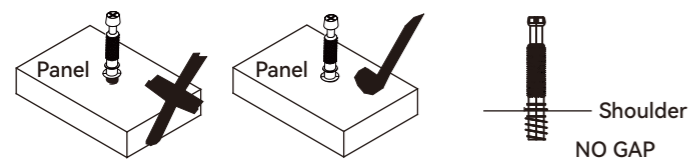
Install panel (7) onto the assembled cabinet using wooden dowels (A) and cross dowels (Q), tightening the cross dowels (Q) with the wrench (W).

Step 7

B  x18

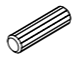

**CAM-LOCK**

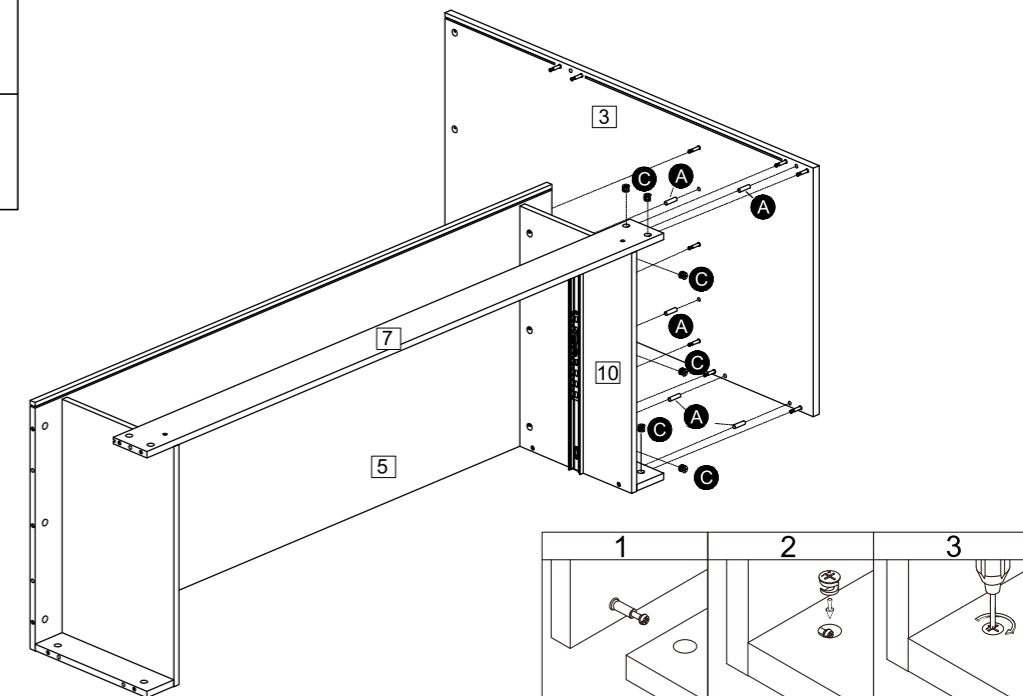
Tighten until shoulder is flush with panel. Do not overtighten or undertighten (see example below)



Install the two-in-one bolts (B) into the corresponding holes of panels (3) and (4).

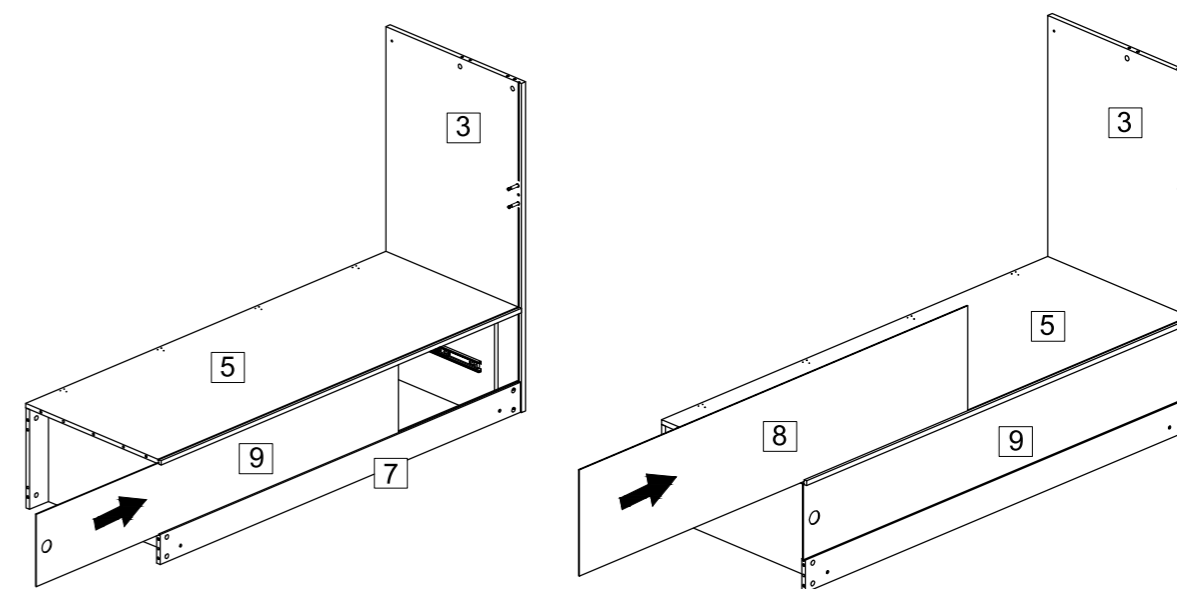
Step 8

A  x5
C  x7



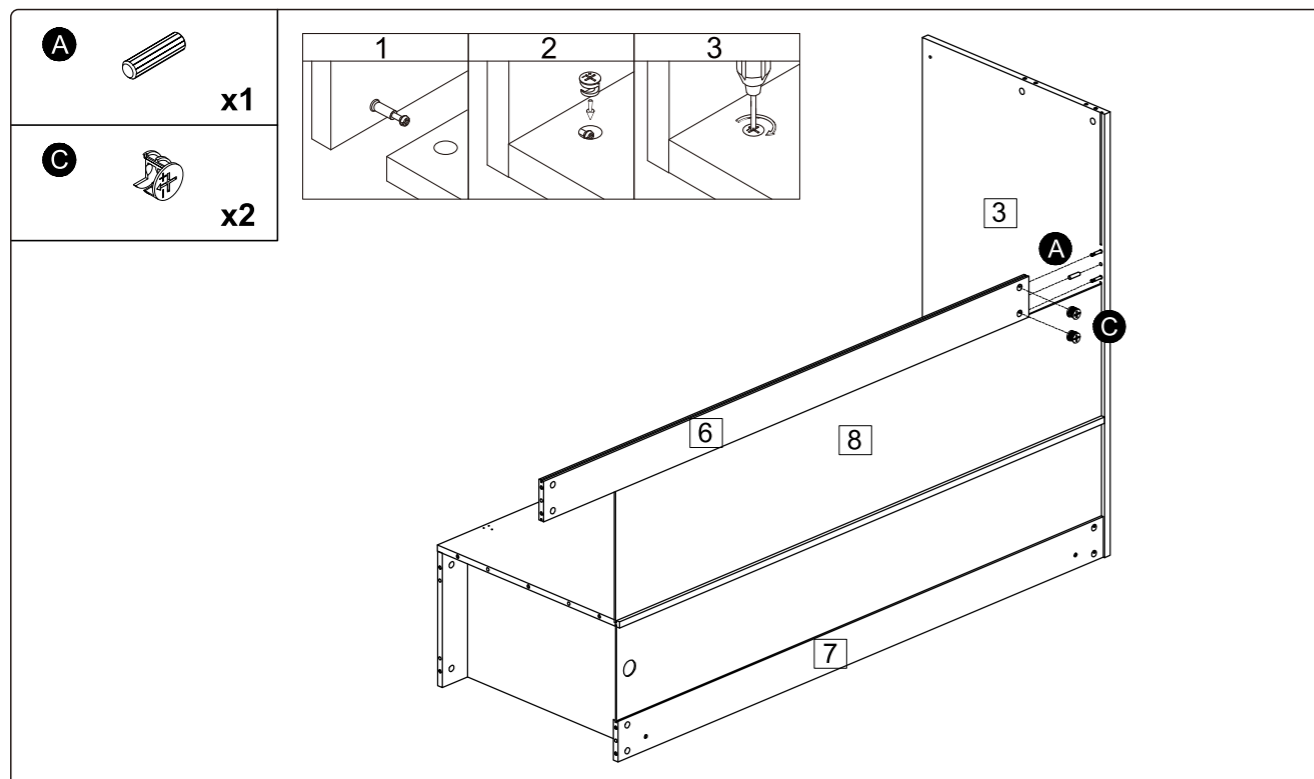
Connect panel (7) and the assembled panel (5) to panel (3) using wooden dowels (A) and cam locks (C).

Step 9



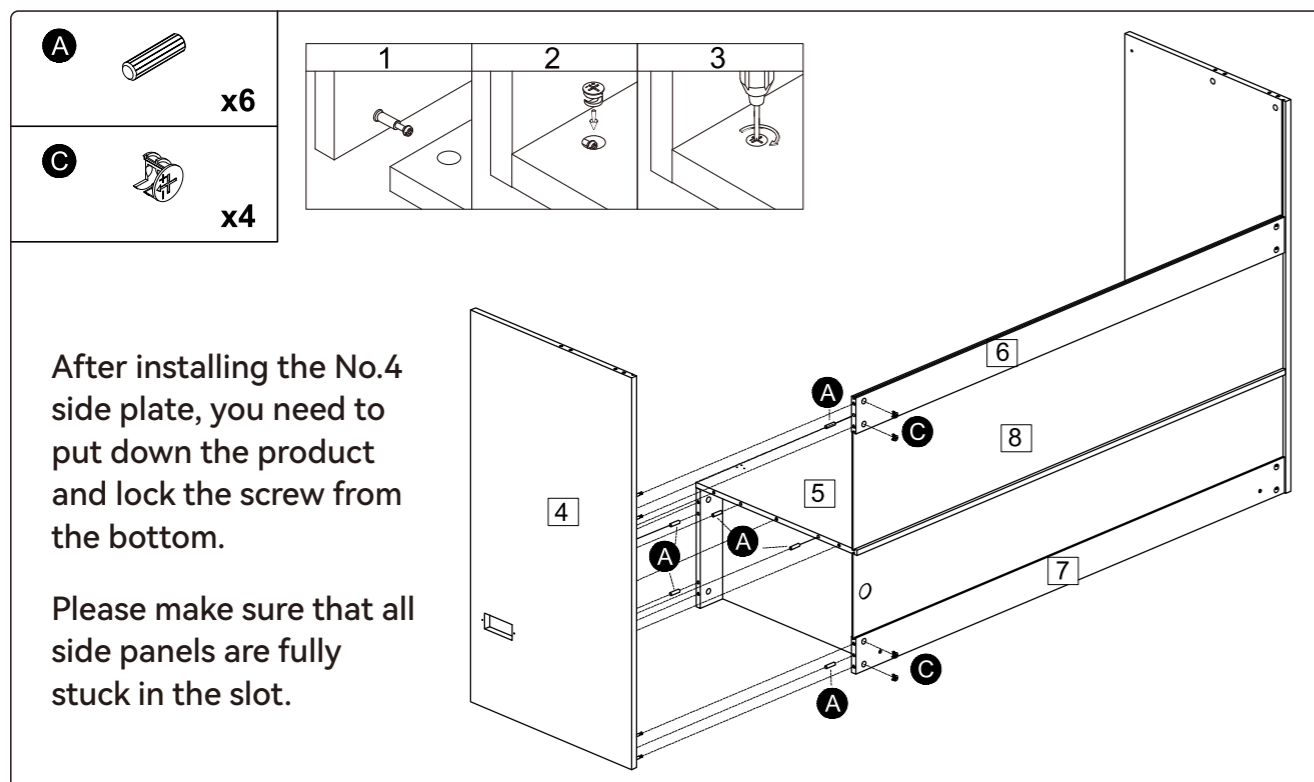
Insert panels (9) and (8) into the assembled cabinet.

Step 10



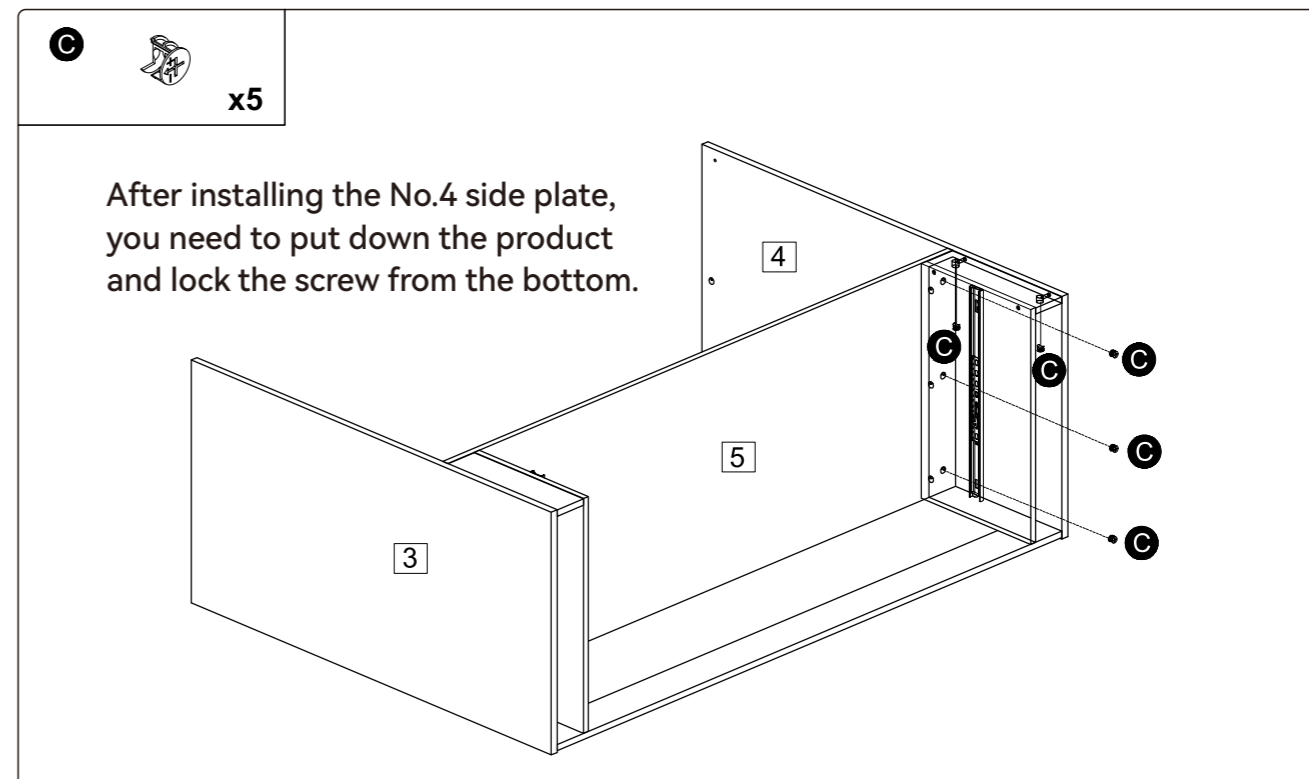
Attach panel (6) to the assembled cabinet using wooden dowels (A) and cam locks (C).

Step 11



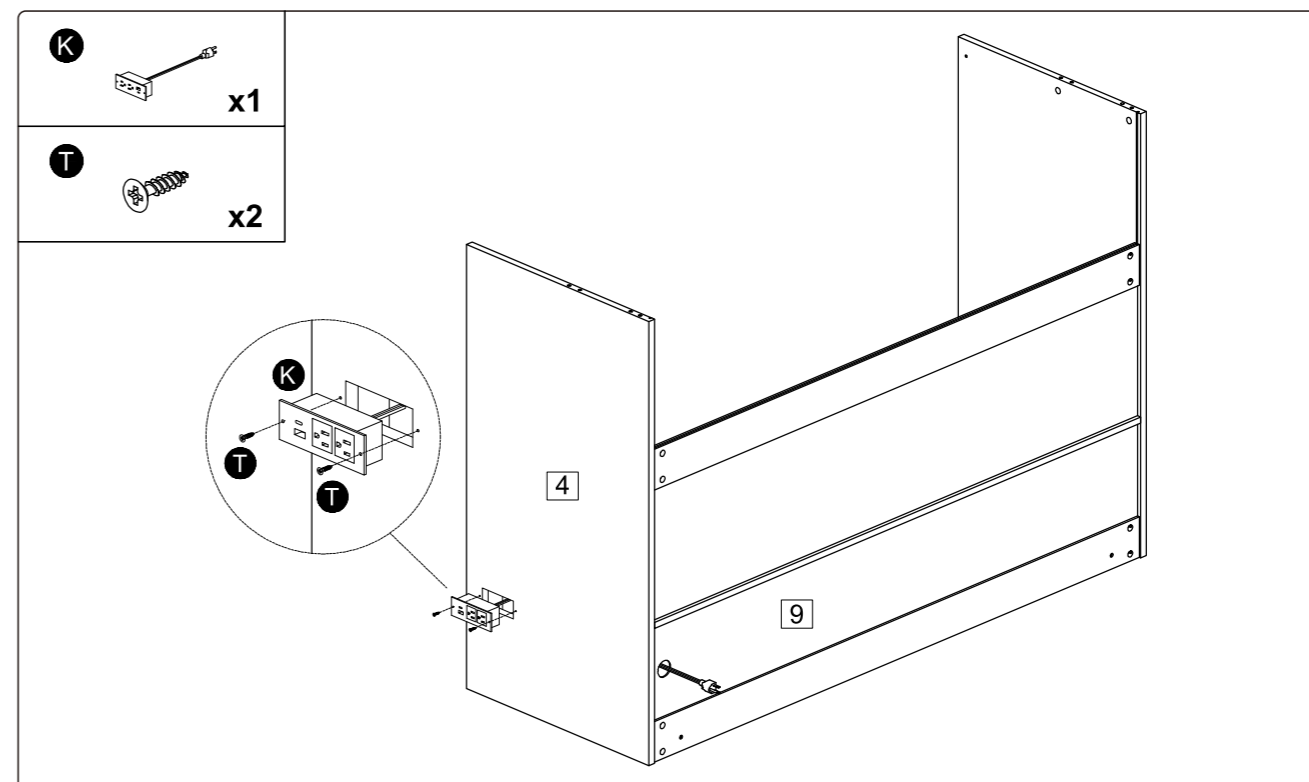
Attach panel (4) to the assembled cabinet using wooden dowels (A) and cam locks (C).

Step 12



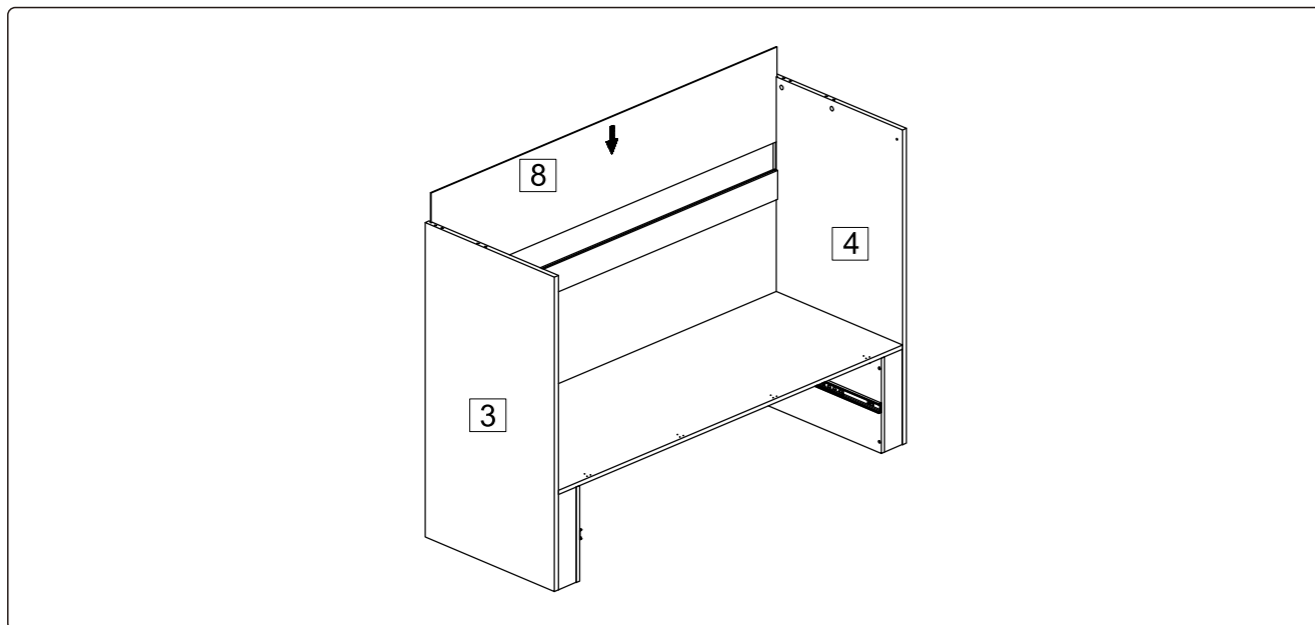
Lay the cabinet flat and tighten all internal cam locks (C).

Step 13



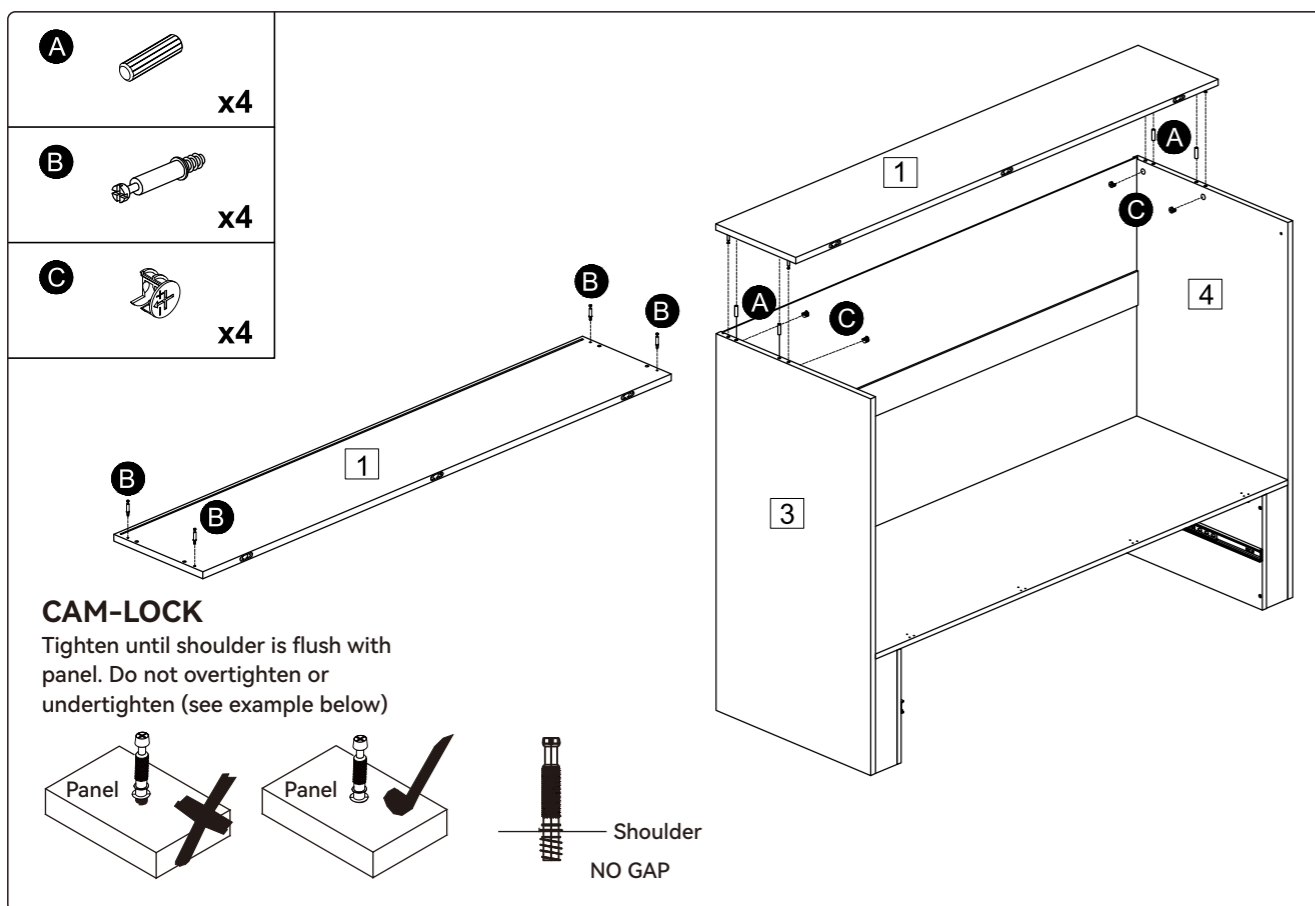
Install the socket (K) onto panel (4) using the self-tapping screws (T).

Step 14



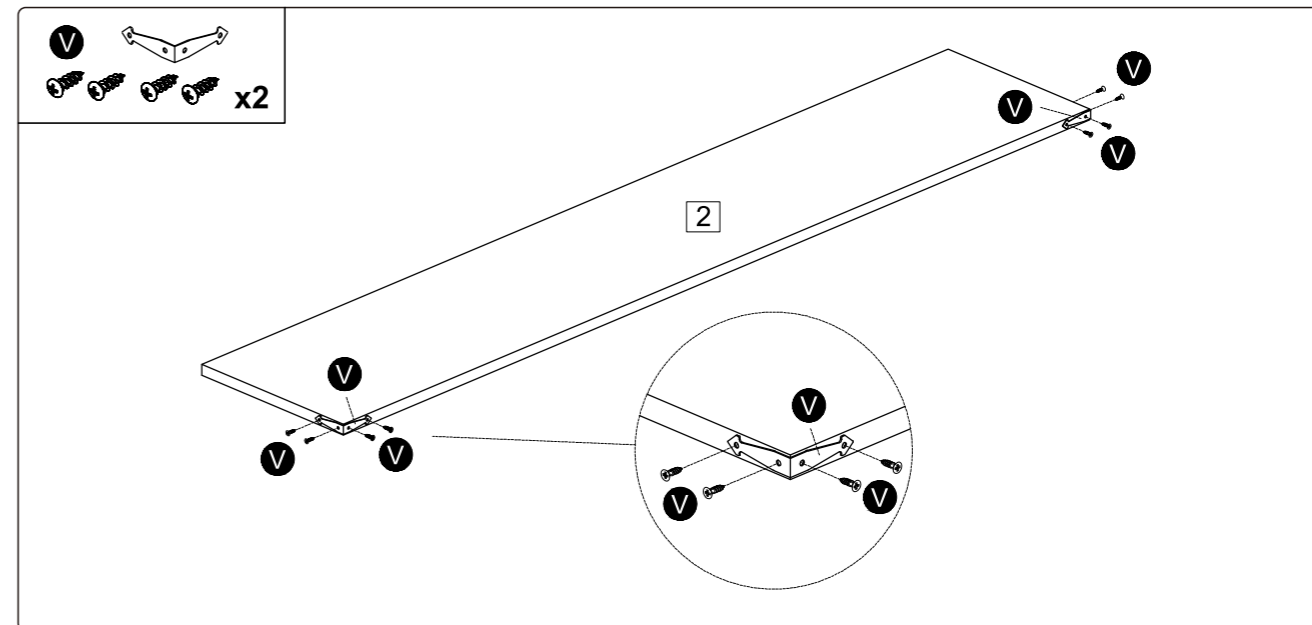
Insert panel (8) into the assembled cabinet.

Step 15



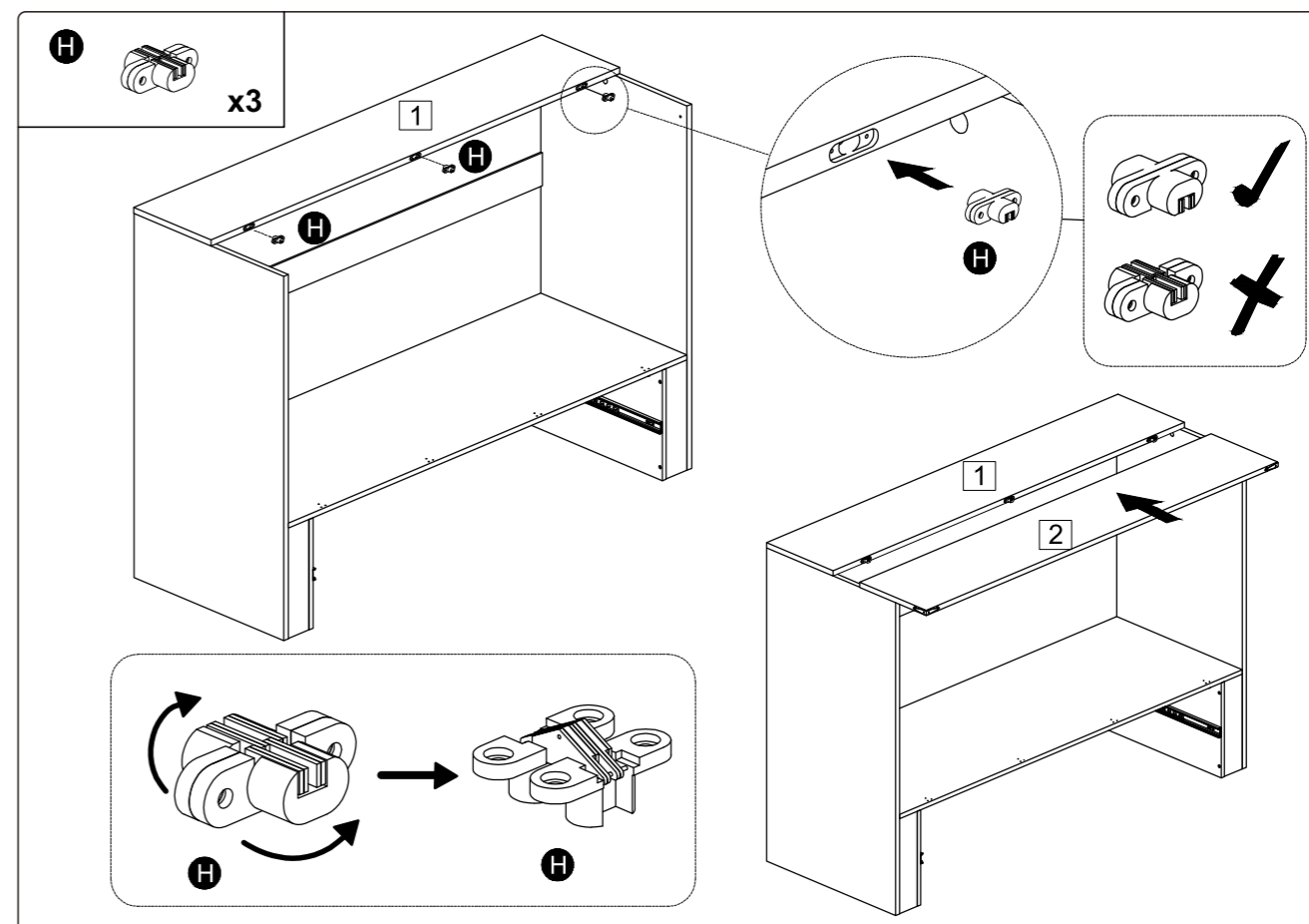
Install the two-in-one bolts (B) into the corresponding holes of panel (1), then connect panel (1) to the assembled cabinet using wooden dowels (A) and cam locks (C).

Step 16



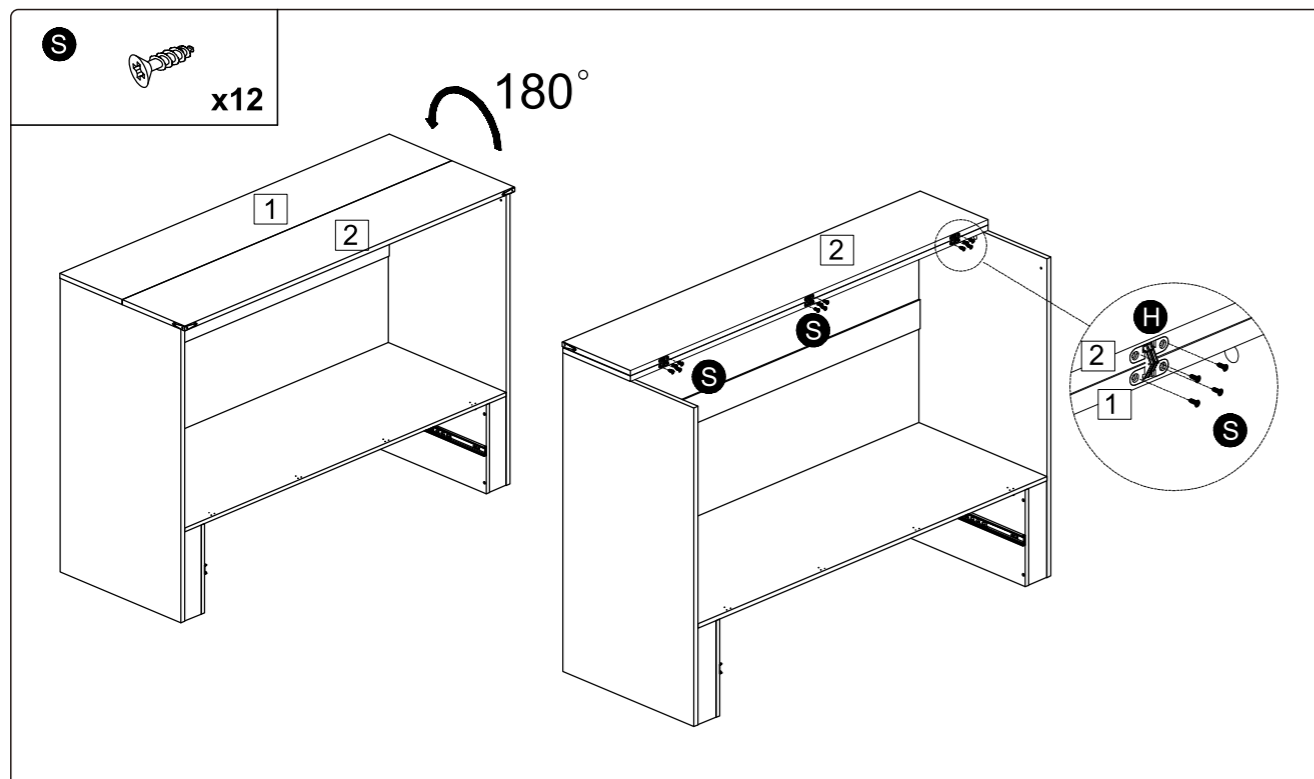
Install decorative corner brackets (V) onto panel (2) using self-tapping screws (V).

Step 17



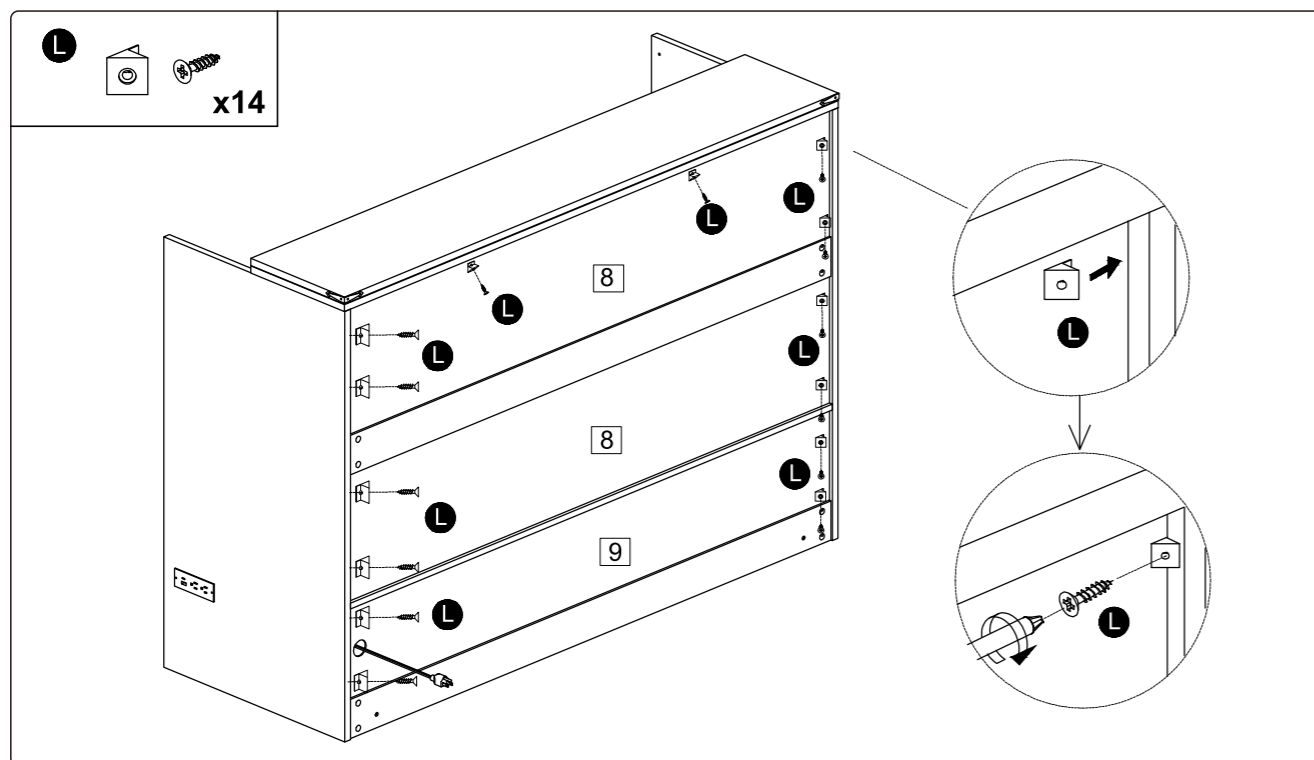
Connect the concealed hinges (H) to panels (1) and (2).

Step 18



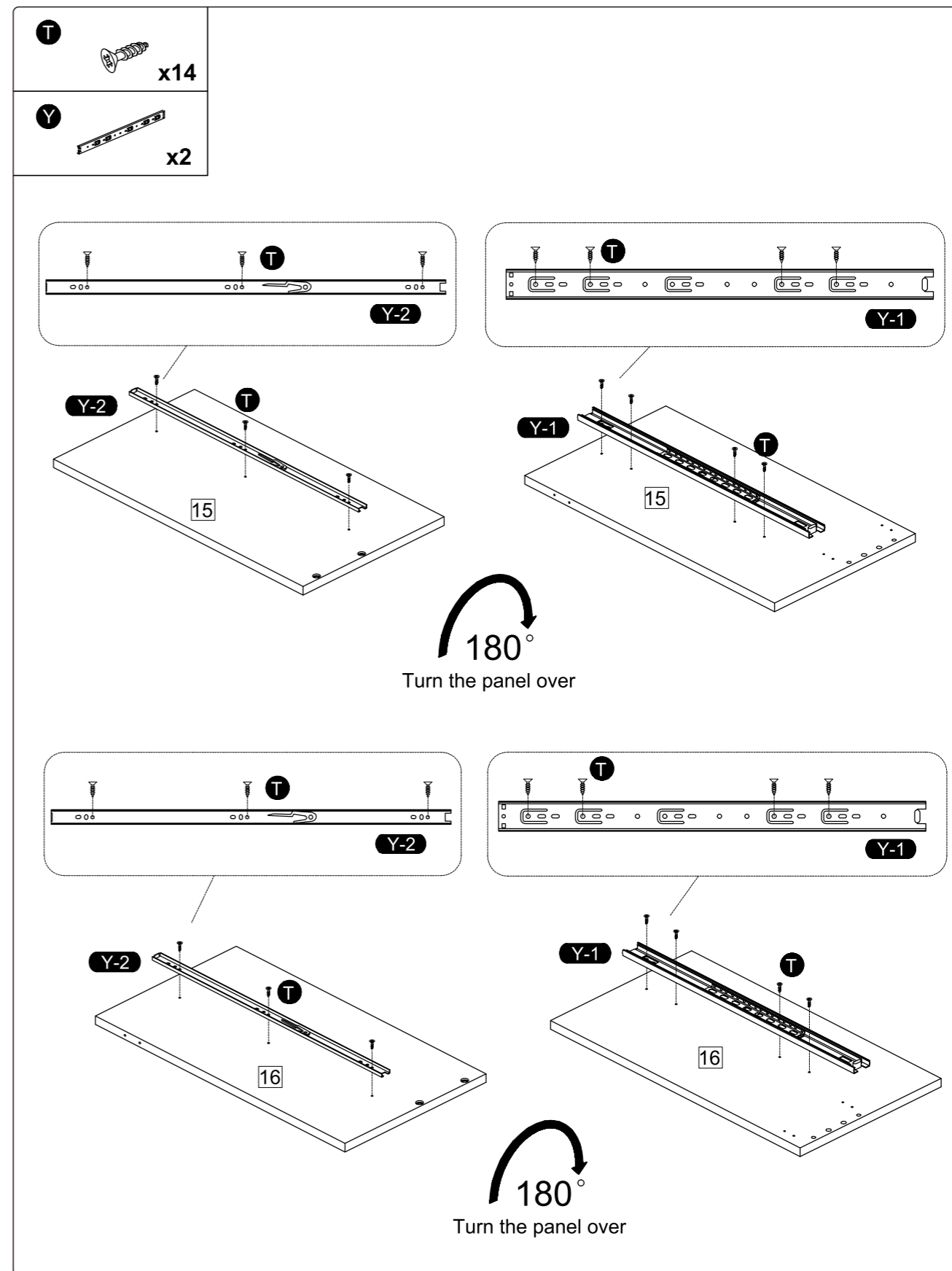
Fold panel (2) and secure the concealed hinges (H) using self-tapping screws (S).

Step 19



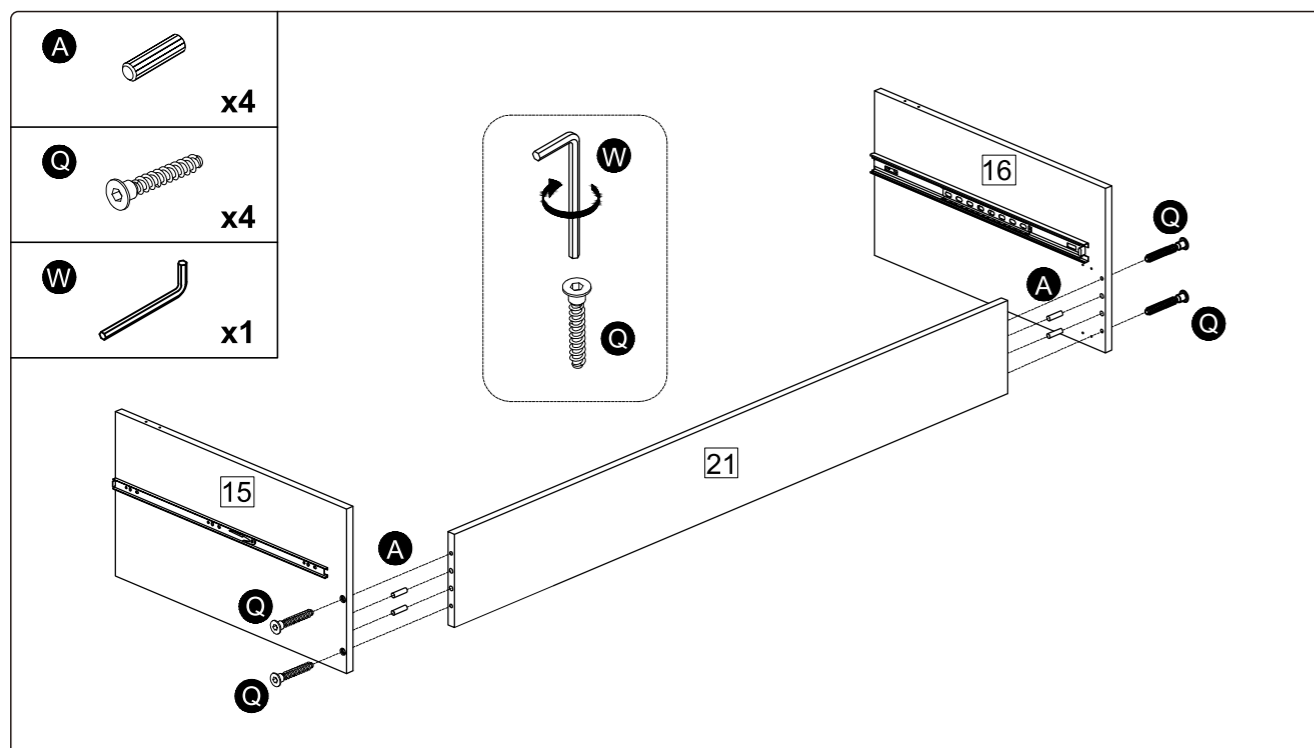
Install the backboard clips (L) on the back panel of the assembled cabinet using self-tapping screws (L).

Step 20



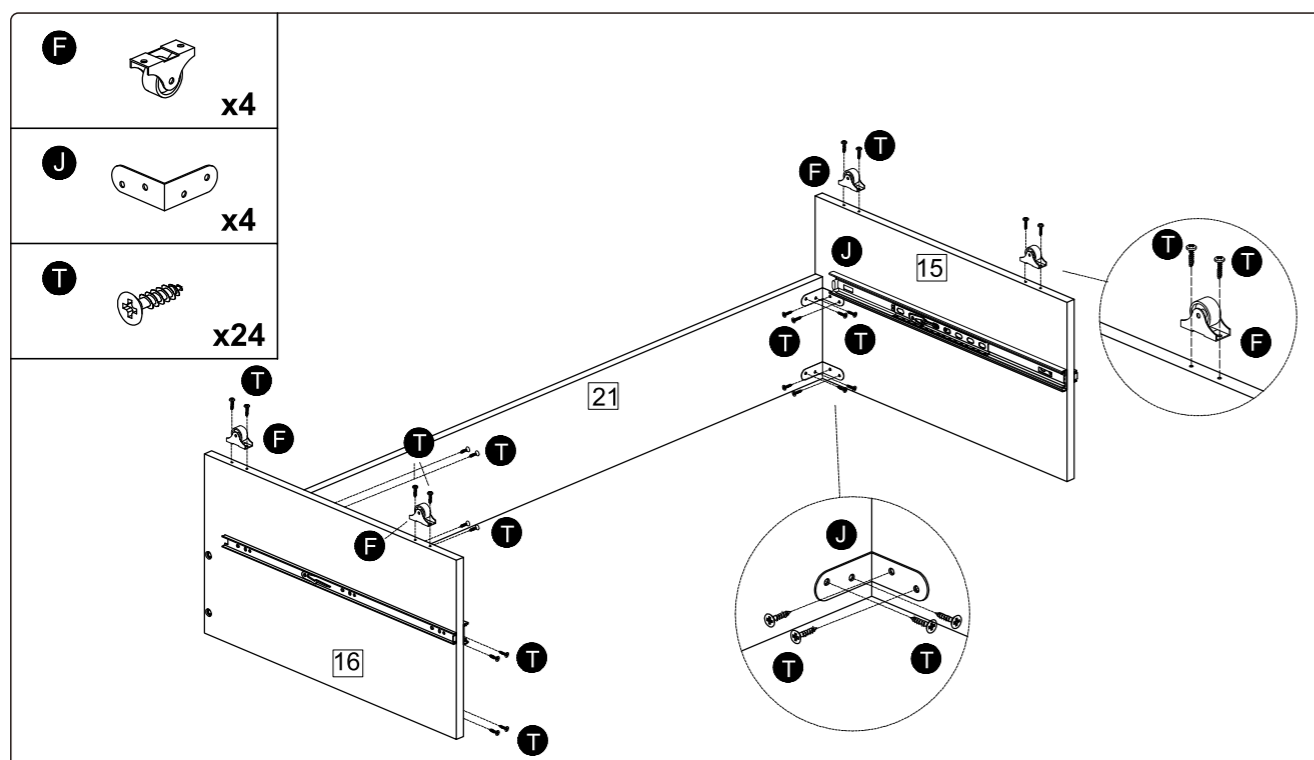
Install the three-section slides (Y1) and (Y2) onto panels (15) and (16) using self-tapping screws (T).

Step 21



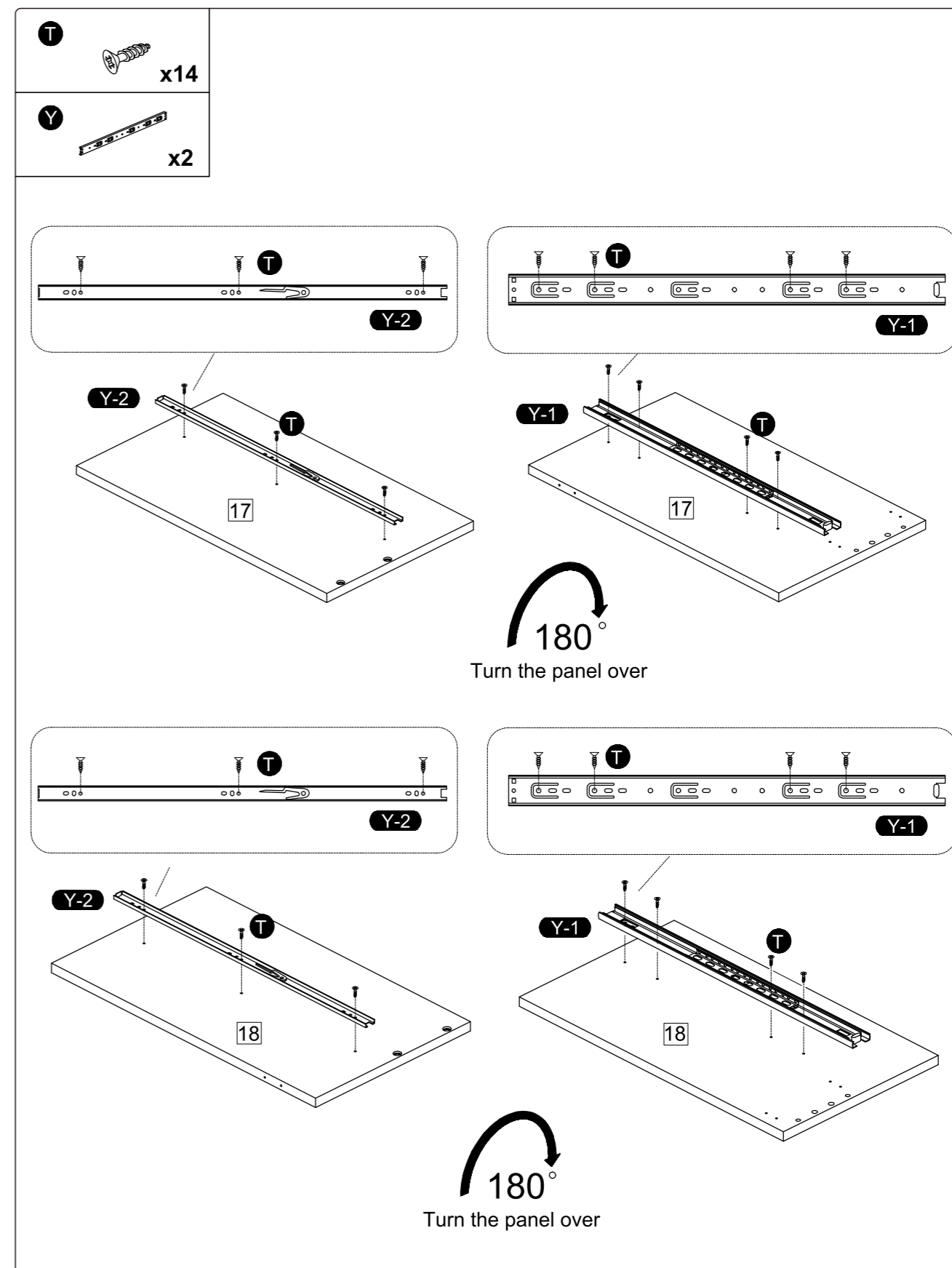
Connect panels (15), (16), and (21) together using cross dowels (Q) and wooden dowels (A), tightening the cross dowels with the wrench (W).

Step 22



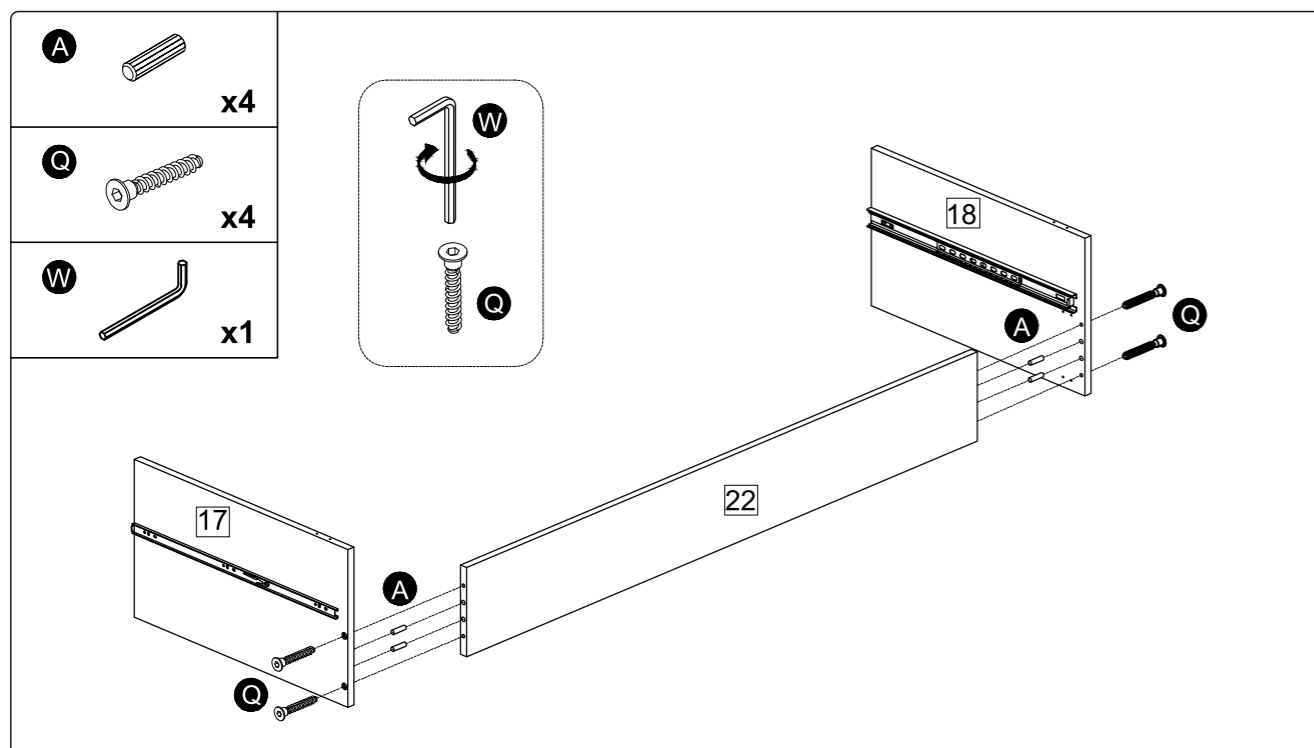
Reinforce the assembled panels (15), (16), and (21) using corner brackets (J) and self-tapping screws (T), then attach the wheels (F) using self-tapping screws (T).

Step 23



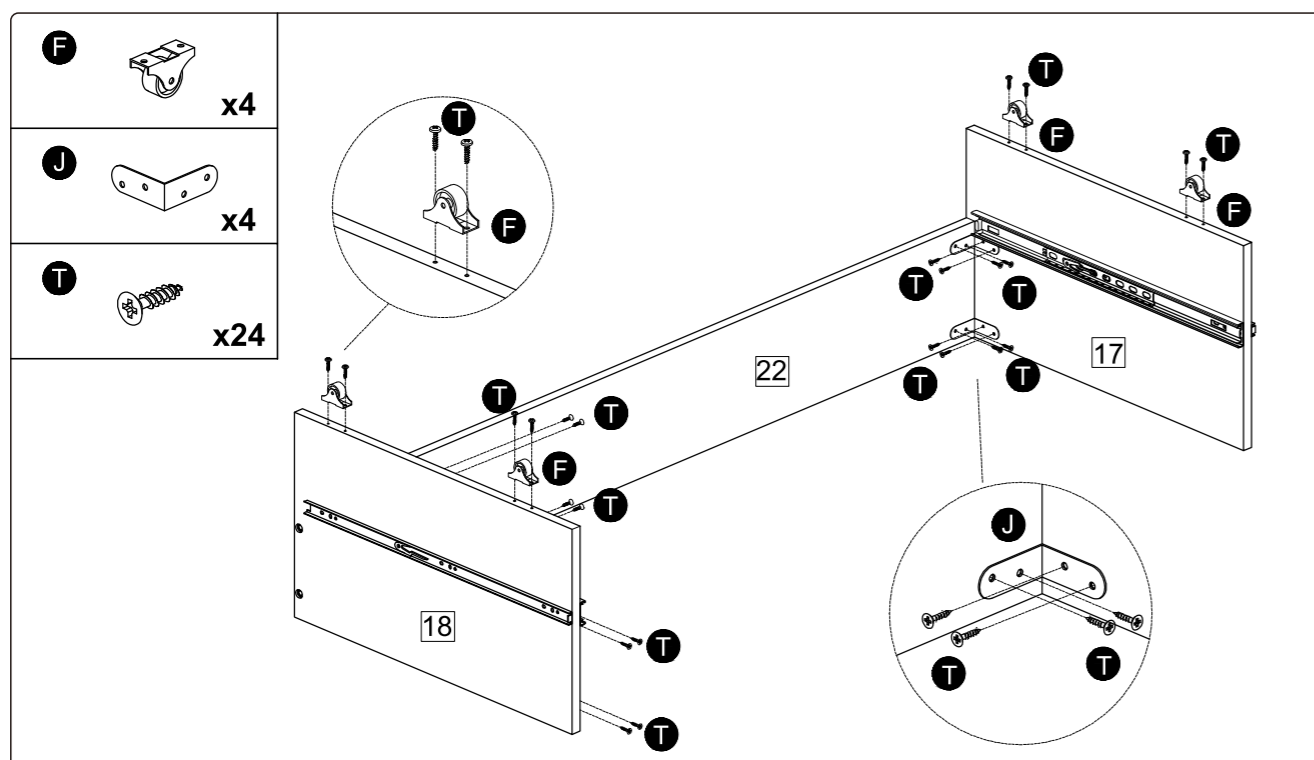
Install the three-section slides (Y1) and (Y2) onto panels (17) and (18) using self-tapping screws (T).

Step 24



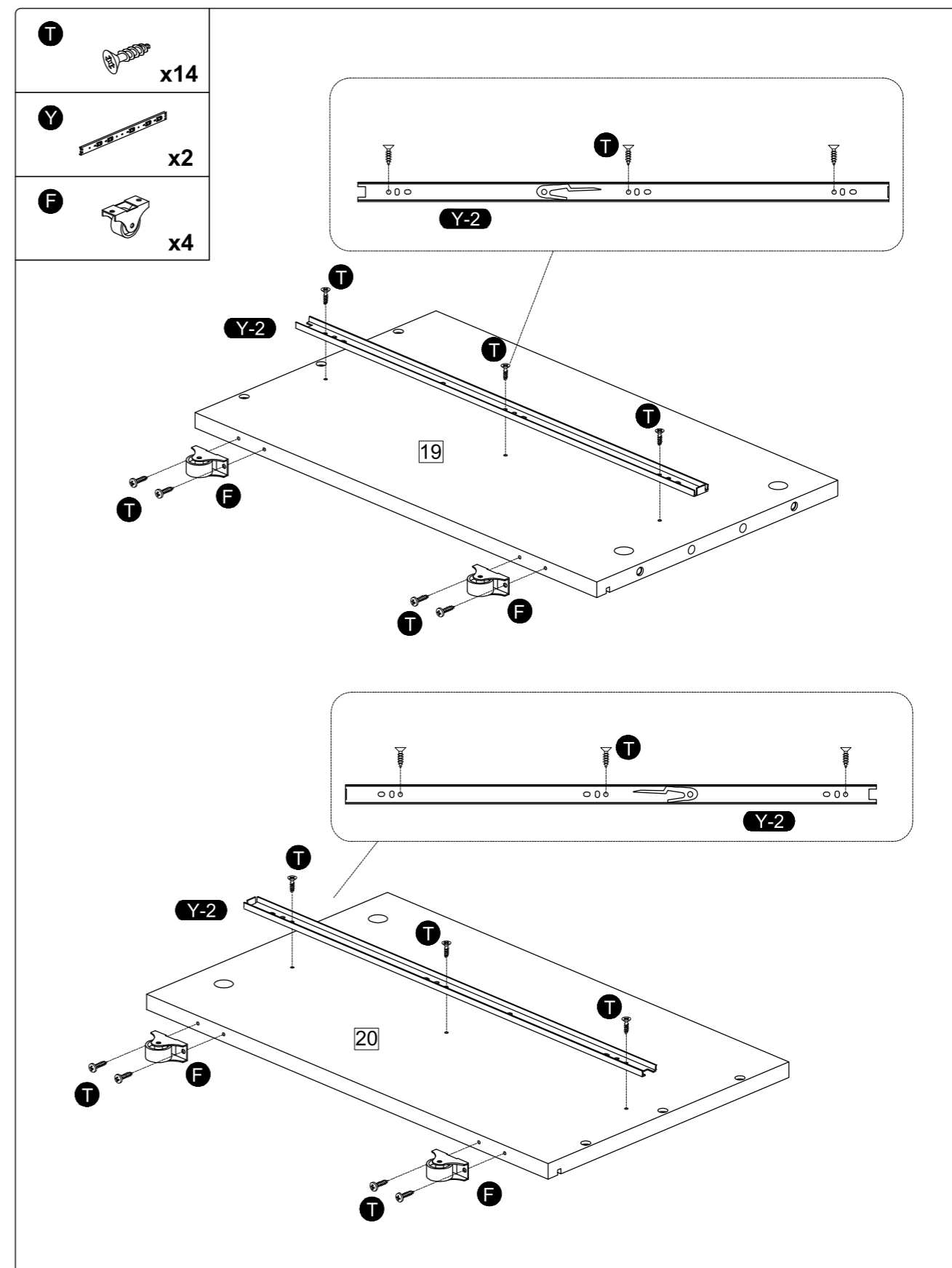
Connect panels (17), (18), and (22) using cross dowels (Q) and wooden dowels (A), tightening the cross dowels with the wrench (W).

Step 25



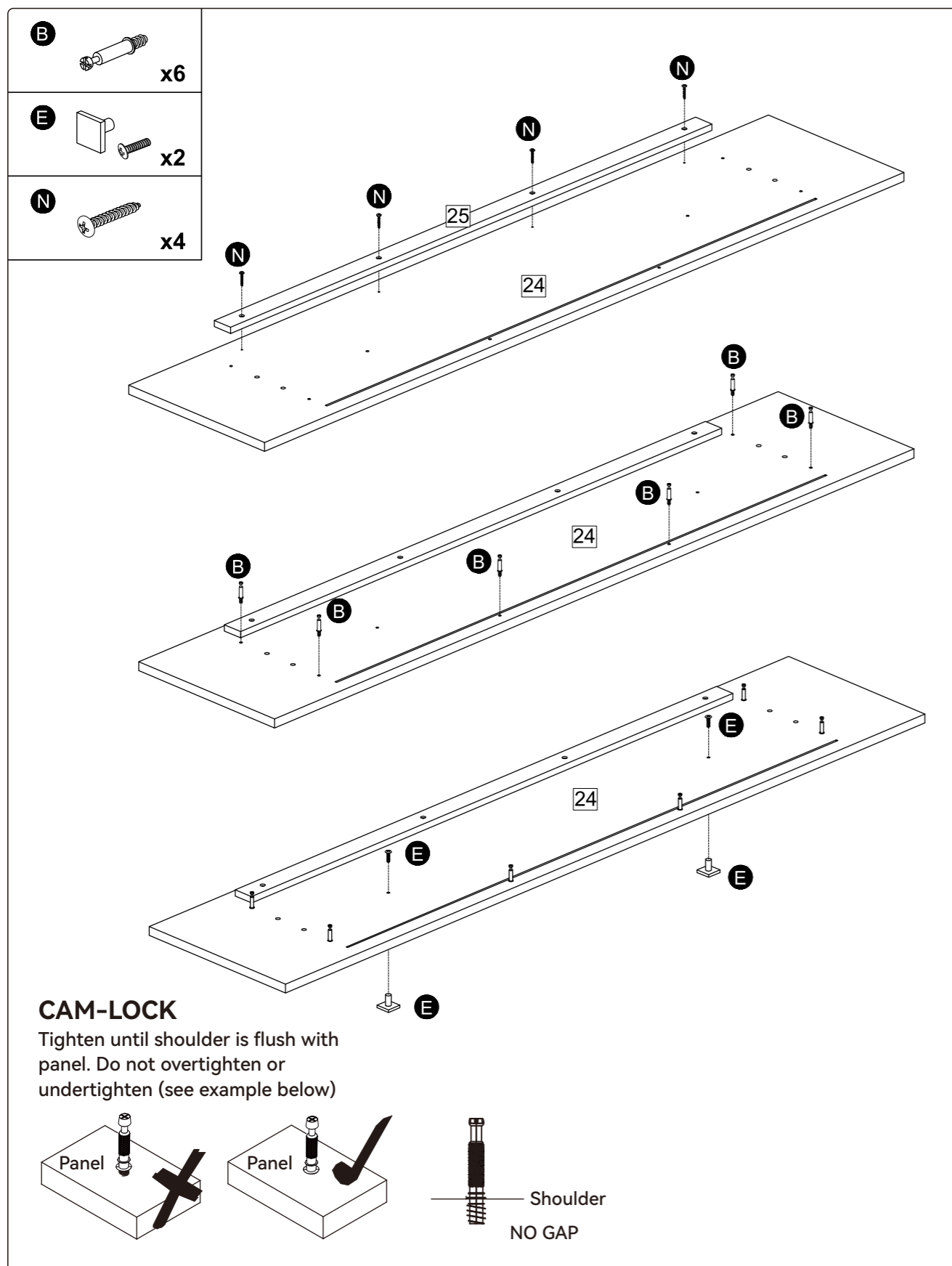
Reinforce the assembled panels (17), (18), and (22) with corner brackets (J) and self-tapping screws (T), and install wheels (F) with self-tapping screws (T).

Step 26



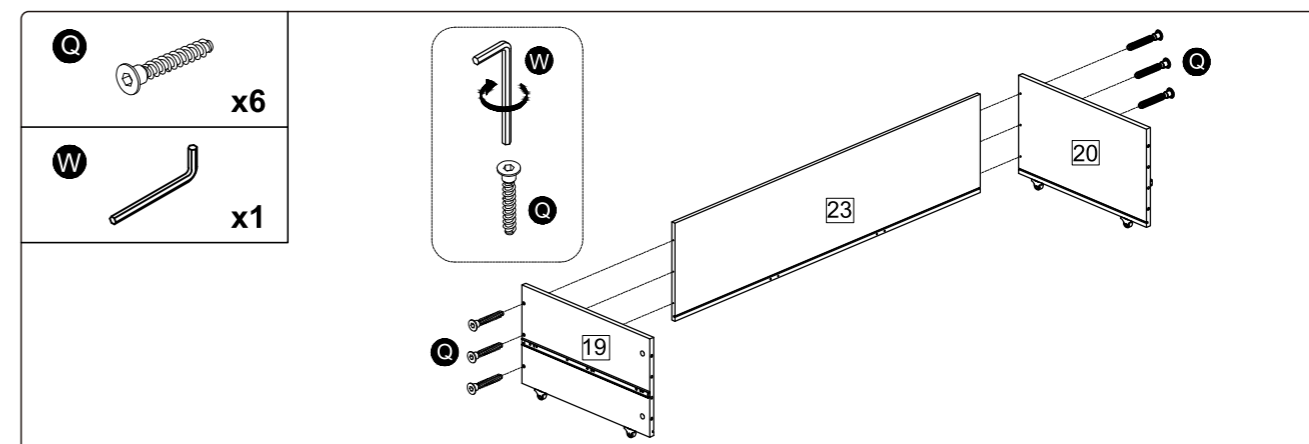
Install the three-section slides (Y2) onto panels (19) and (20) using self-tapping screws (T).

Step 27



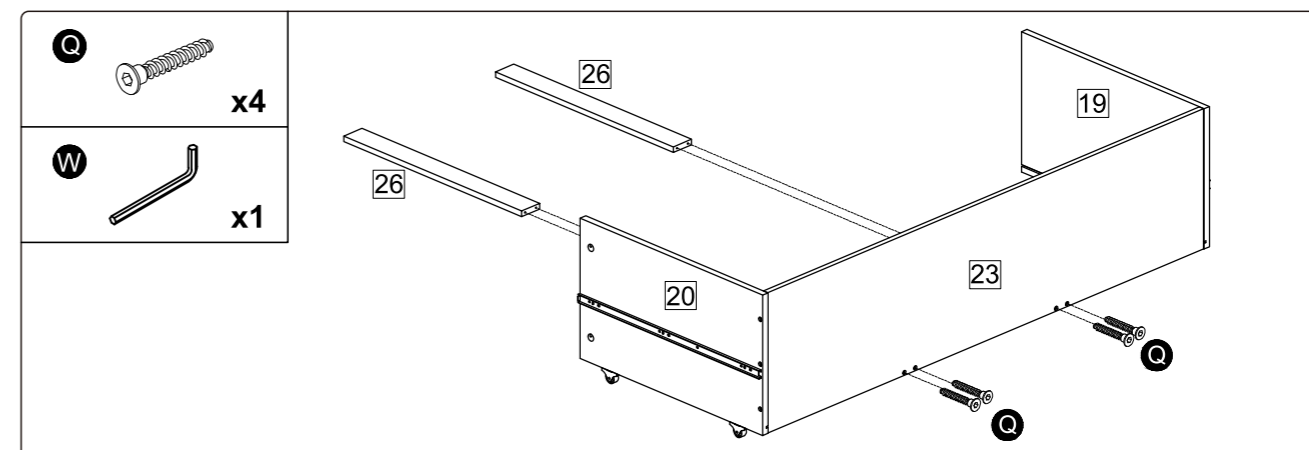
Install panel (25) onto panel (24) using self-tapping screws (N), insert the two-in-one bolts (B) into panel (24), and attach the handles (E) using handle screws (E).

Step 28



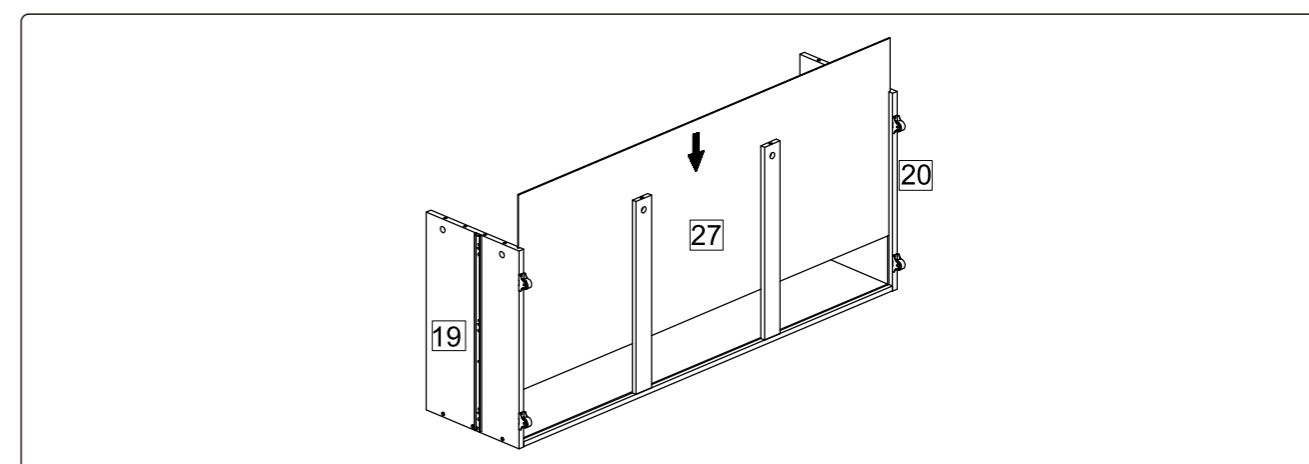
Connect panels (19), (20), and (23) using cross dowels (Q), tightening them with the wrench (W).

Step 29



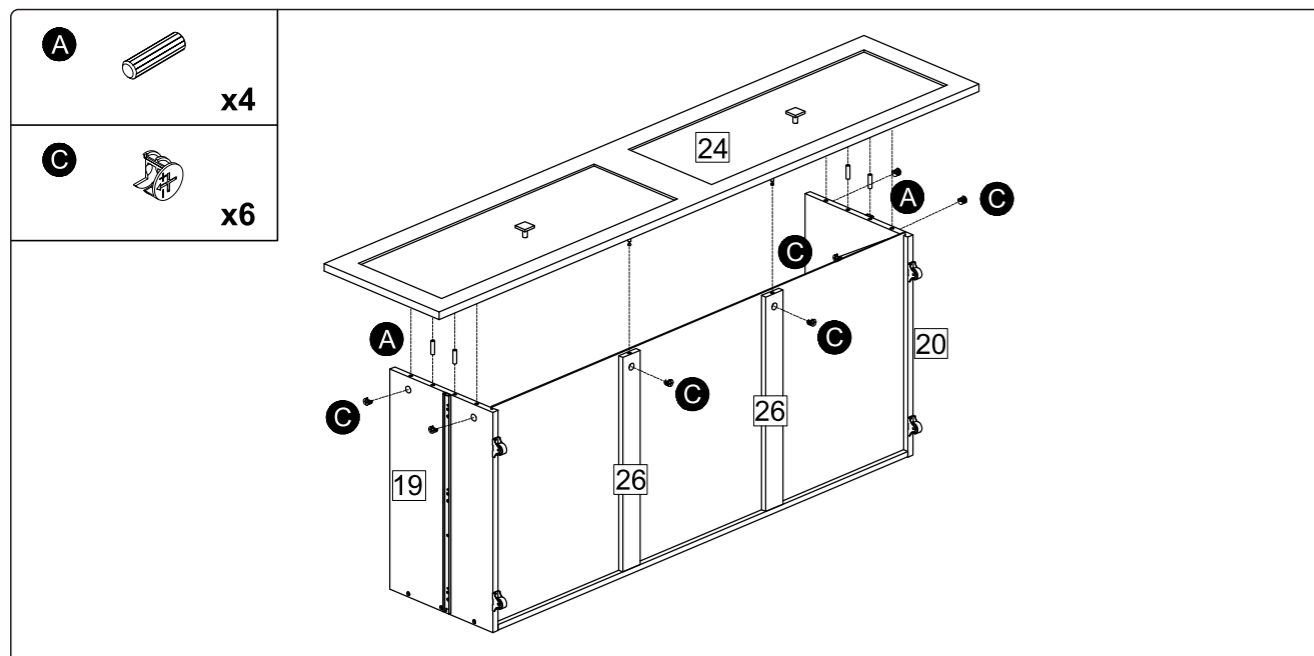
Attach panel (26) to the assembled panel (23) using cross dowels (Q), tightening with the wrench (W).

Step 30



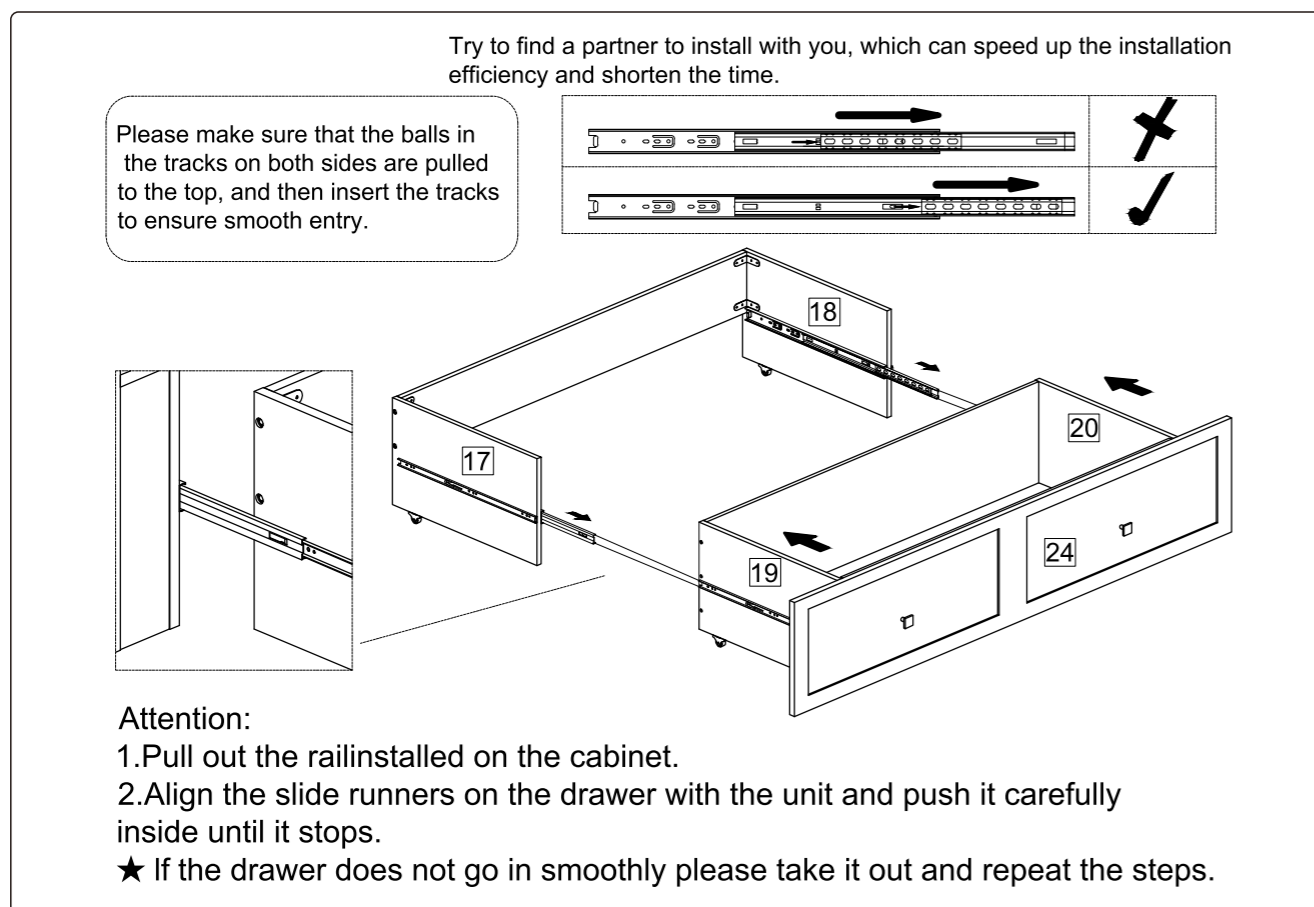
Insert panel (27) into the assembled drawer.

Step 31



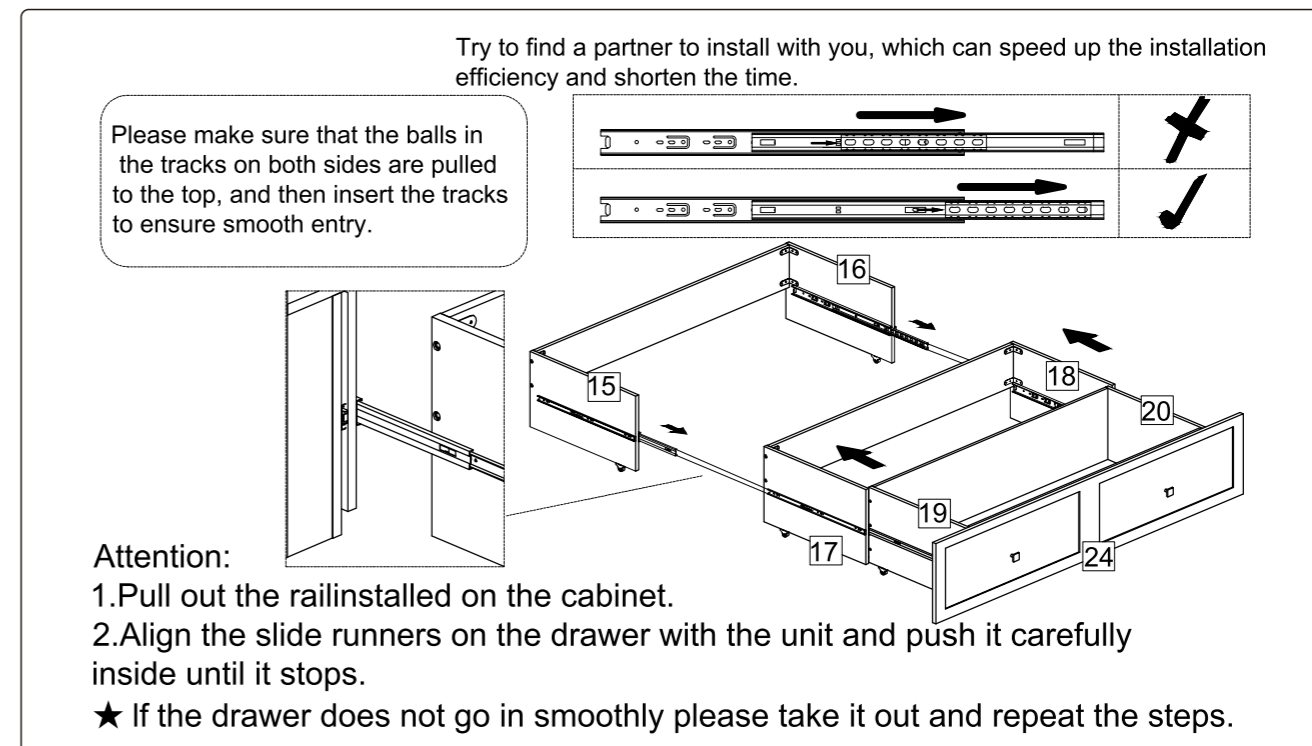
Connect panel (24) to the assembled drawer using wooden dowels (A) and cam locks (C).

Step 32



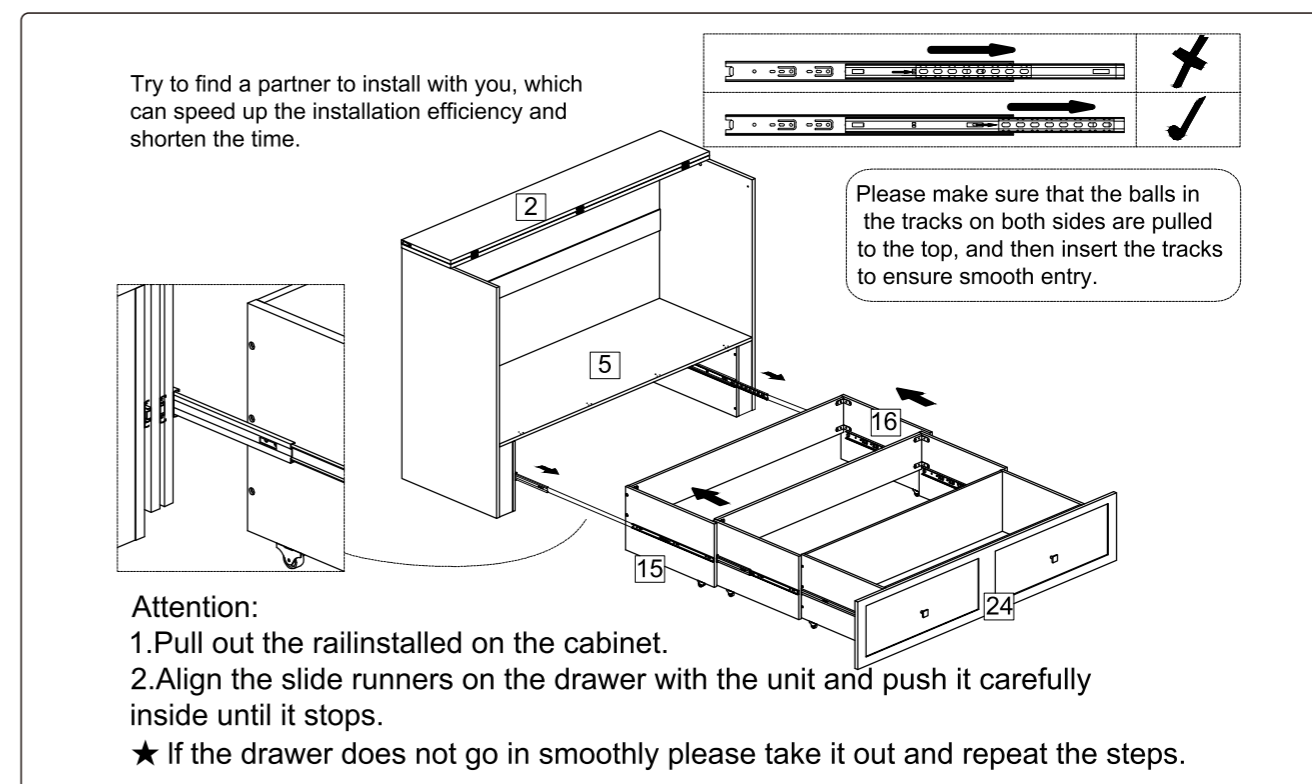
Slide the assembled drawer slides into the slides of panels (17) and (18).

Step 33



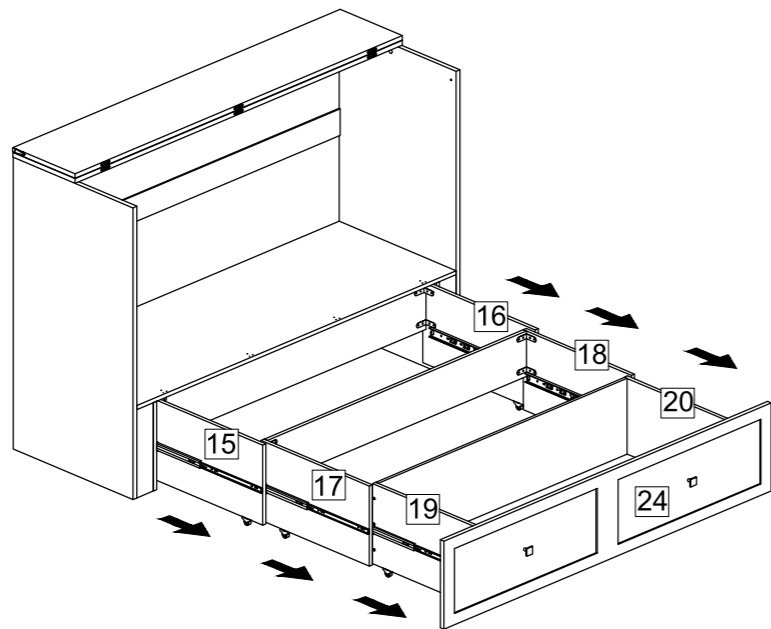
Insert the slides of assembled panels (17) and (18) into the slides of assembled panels (15) and (16).

Step 34



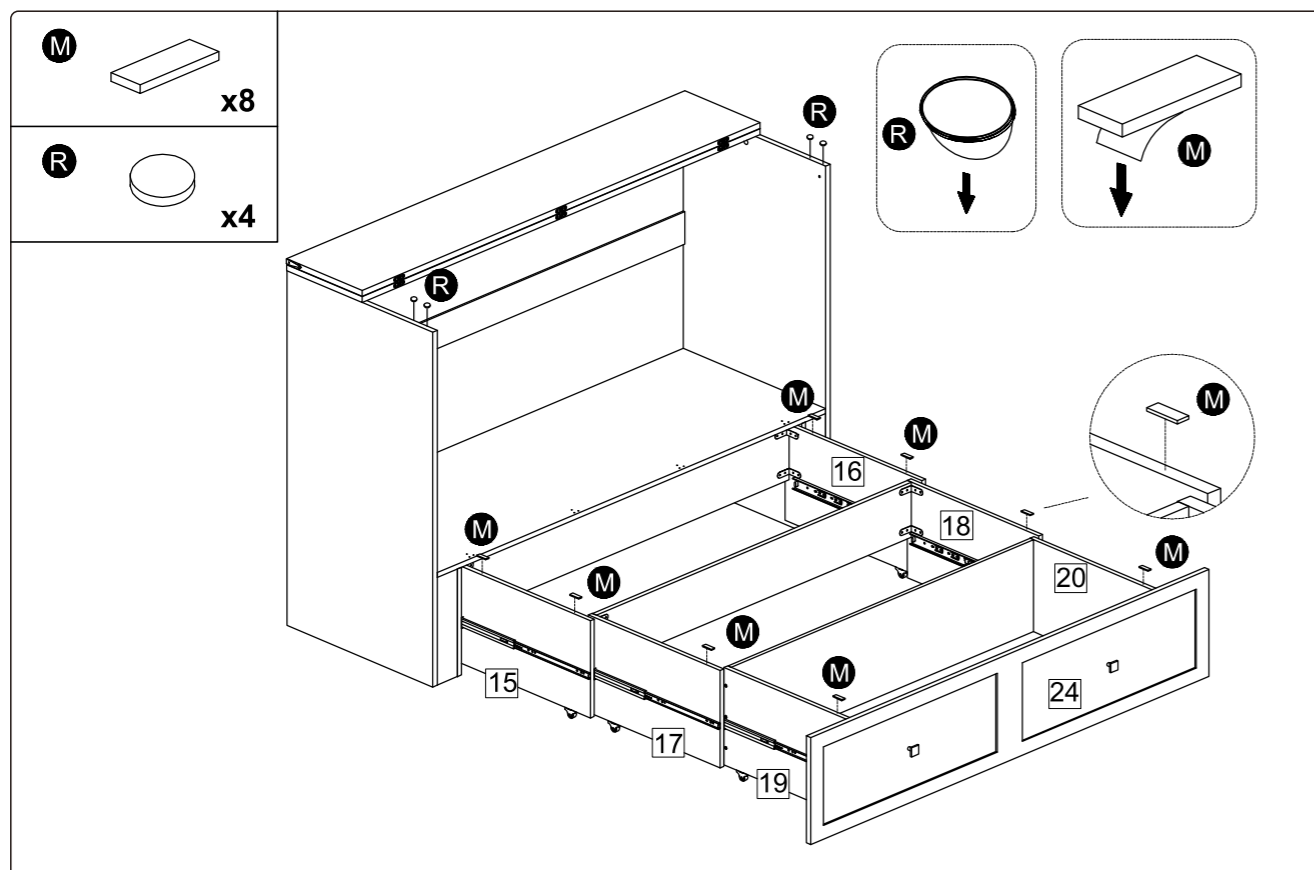
Insert the slides of assembled panels (15) and (16) into the slides of the main cabinet.

Step 35



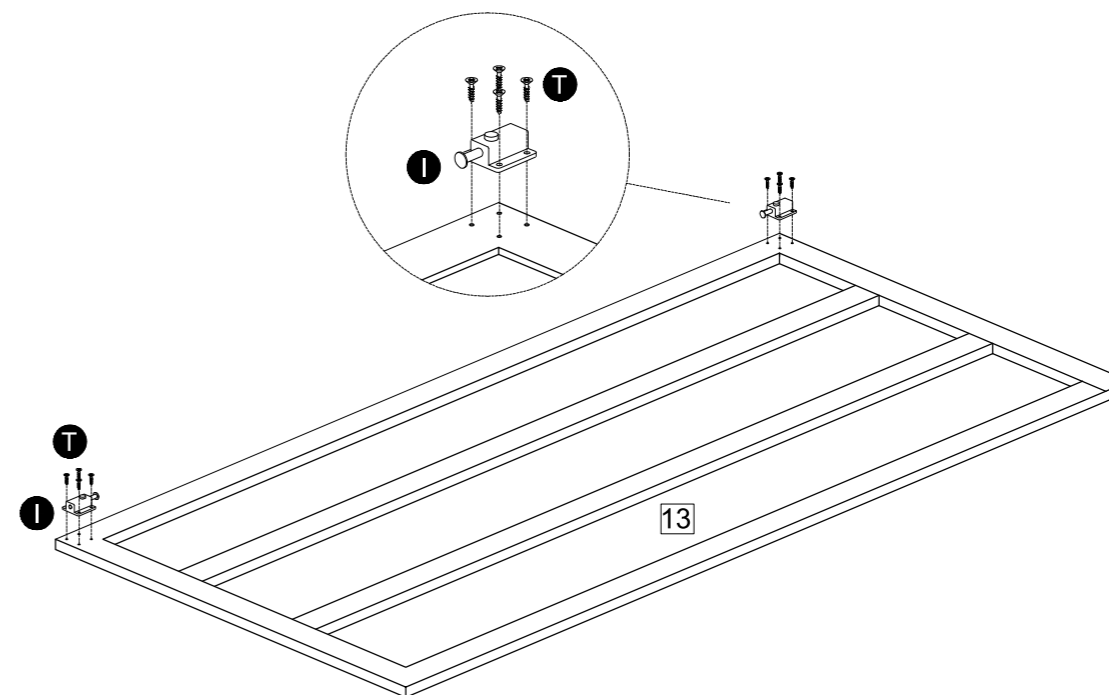
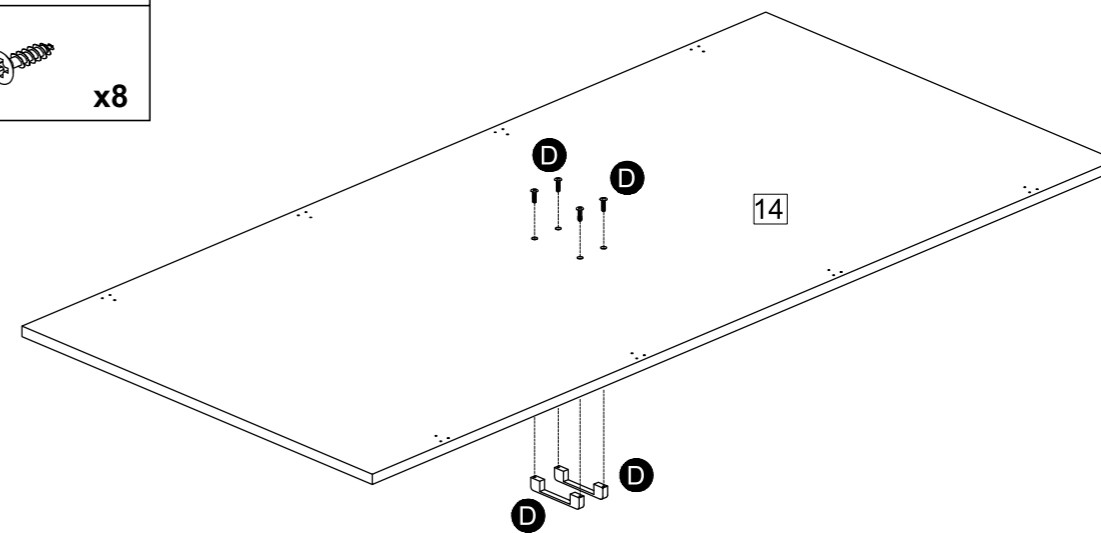
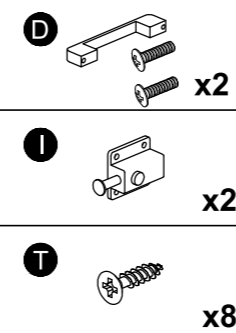
Extend all drawer assemblies to their open positions.

Step 36



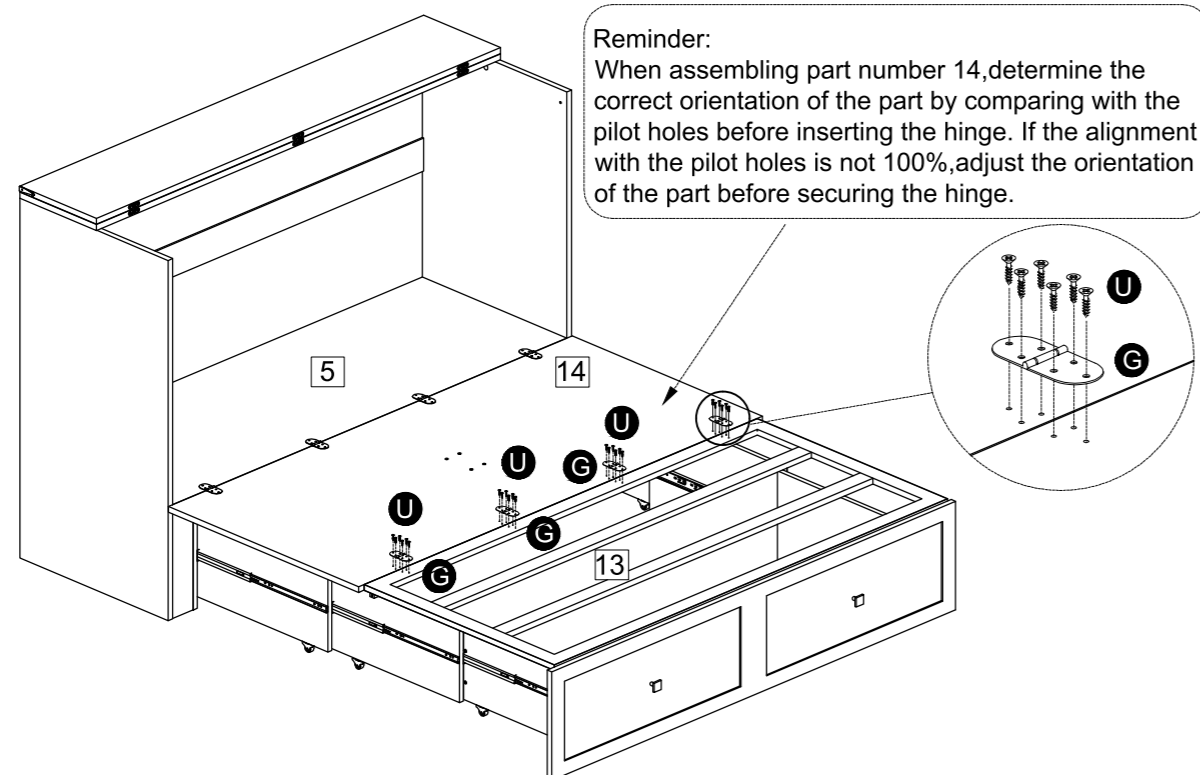
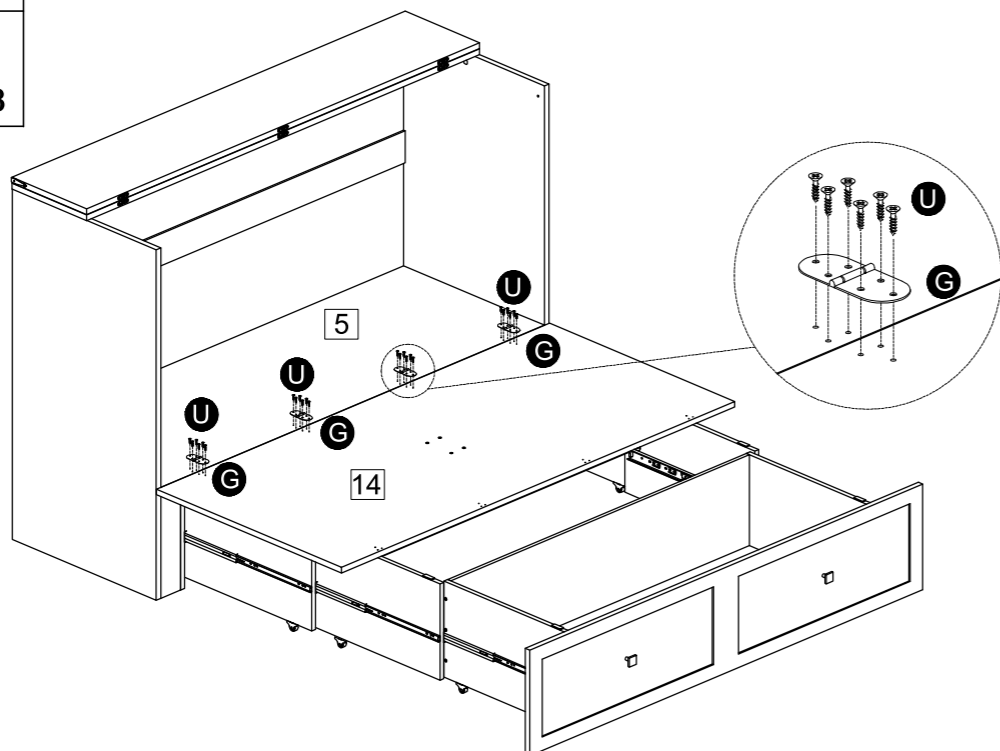
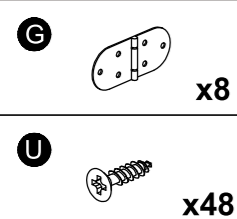
Attach accessories (R) and (W) onto the cabinet.

Step 37



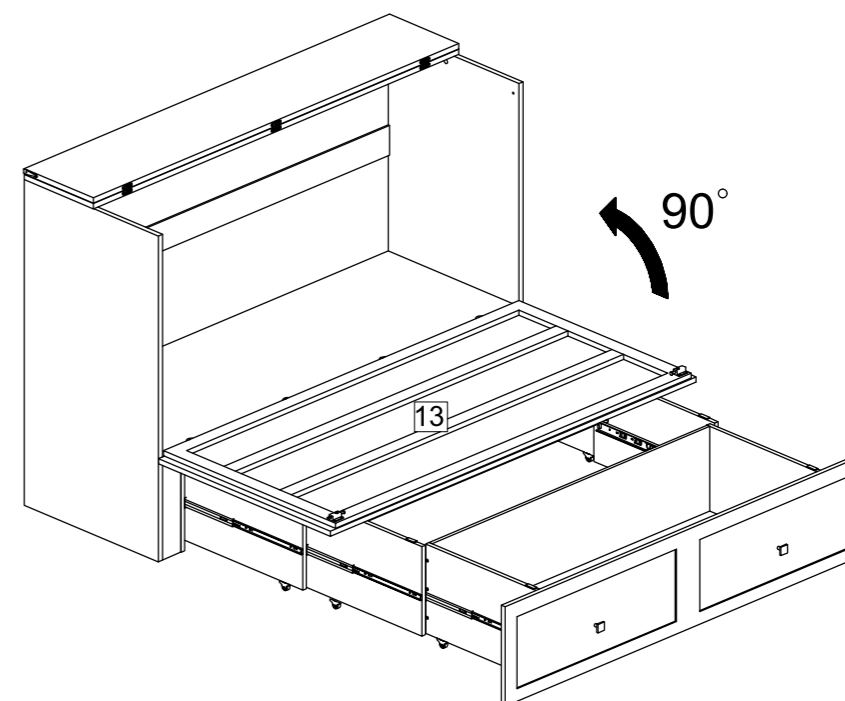
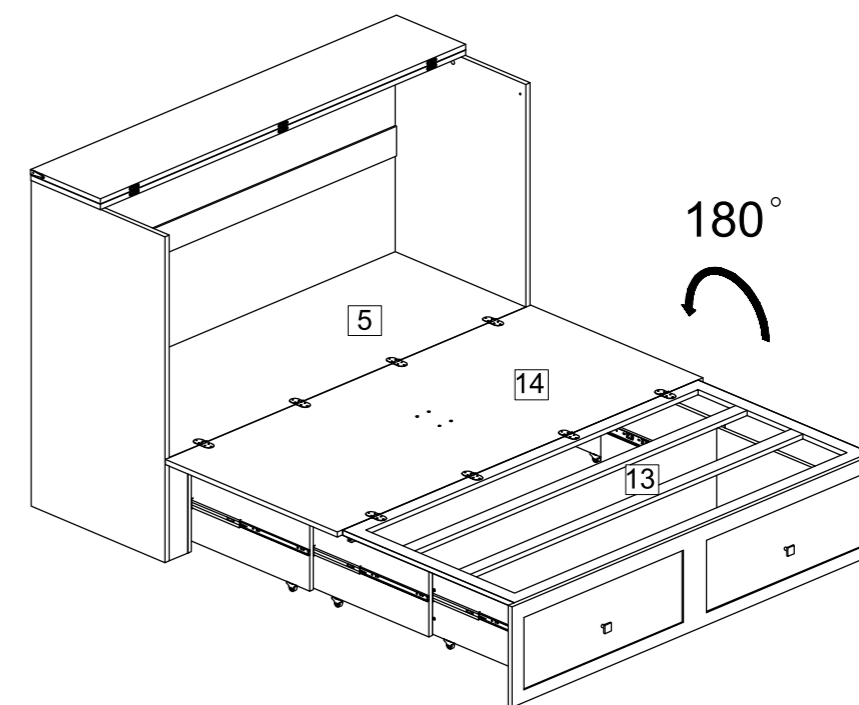
Install the handle (D) onto panel (14) using handle screws (D), then attach accessory (I) using self-tapping screws (T).

Step 38



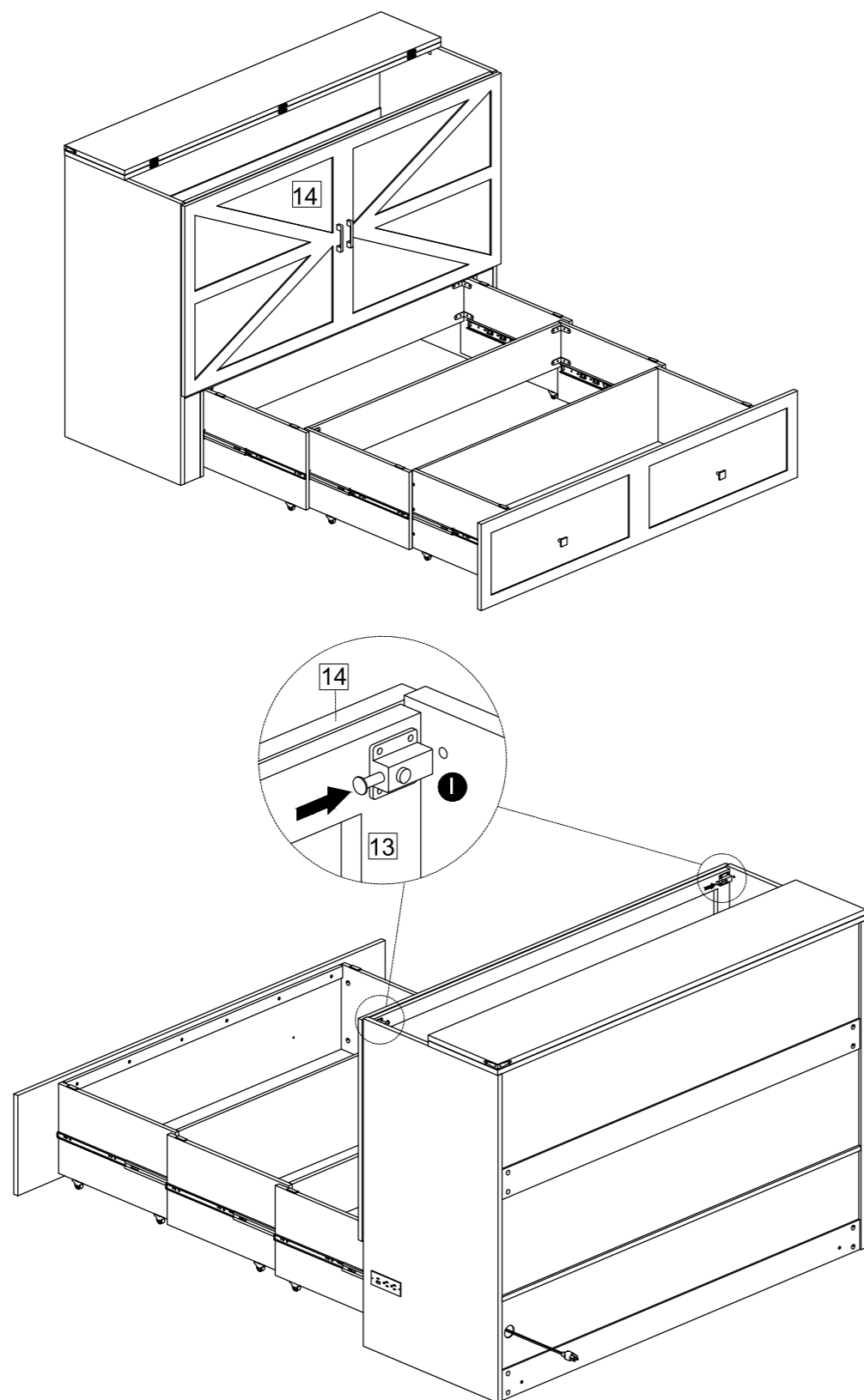
Install panels (14) and (13) onto the assembled cabinet using accessory (G) and self-tapping screws (U).

Step 39



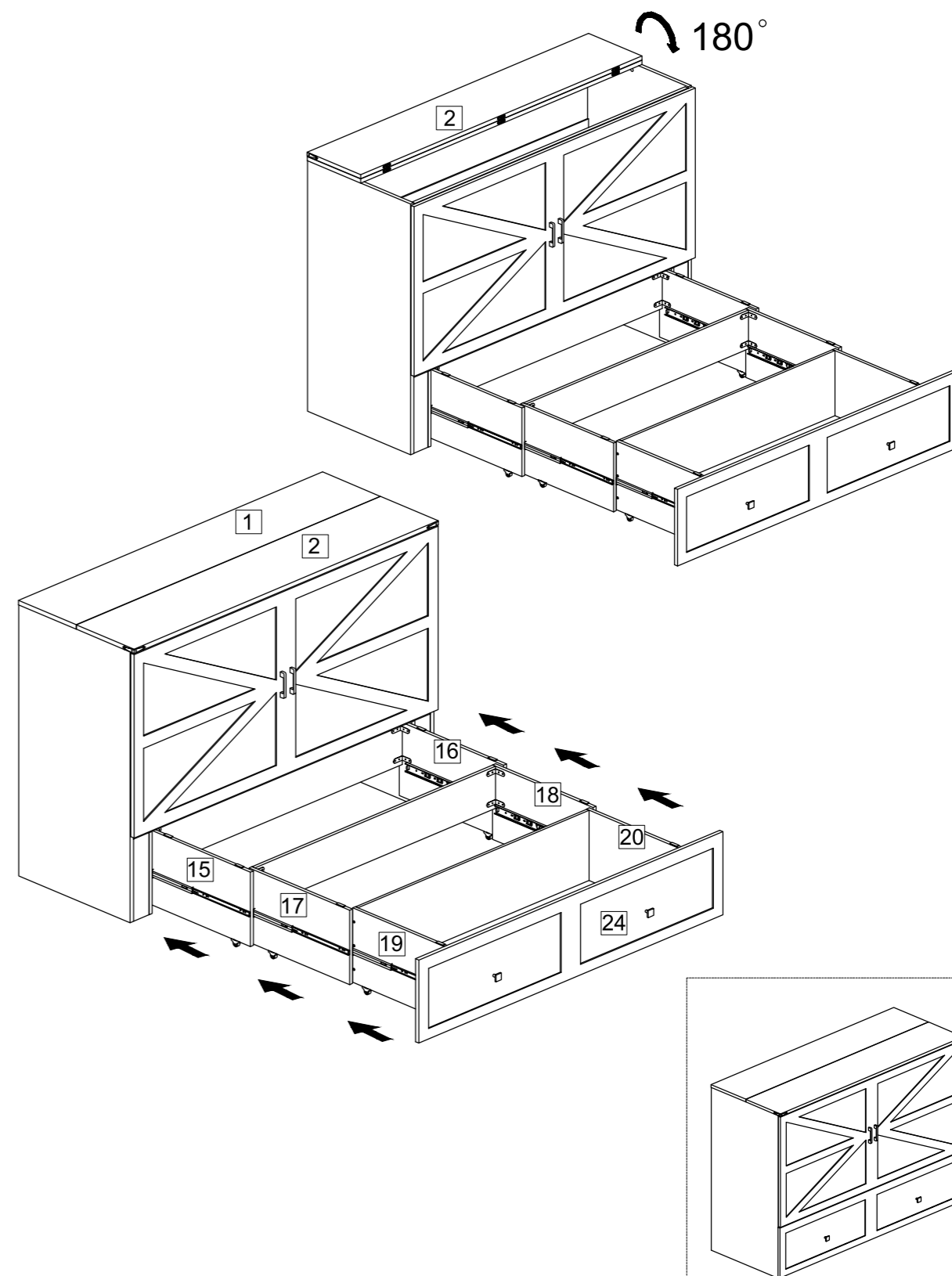
Panels (13) and (14) are foldable after installation.

Step 40



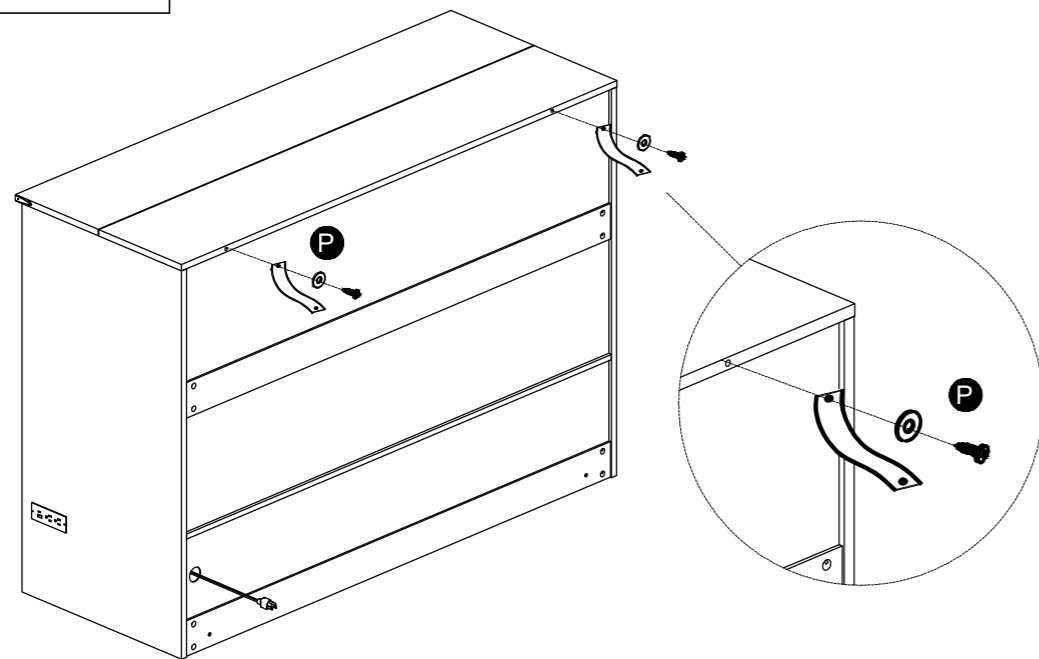
Once panel (13) is folded onto the cabinet, push accessory (1)'s latch into the cabinet to secure it.

Step 41

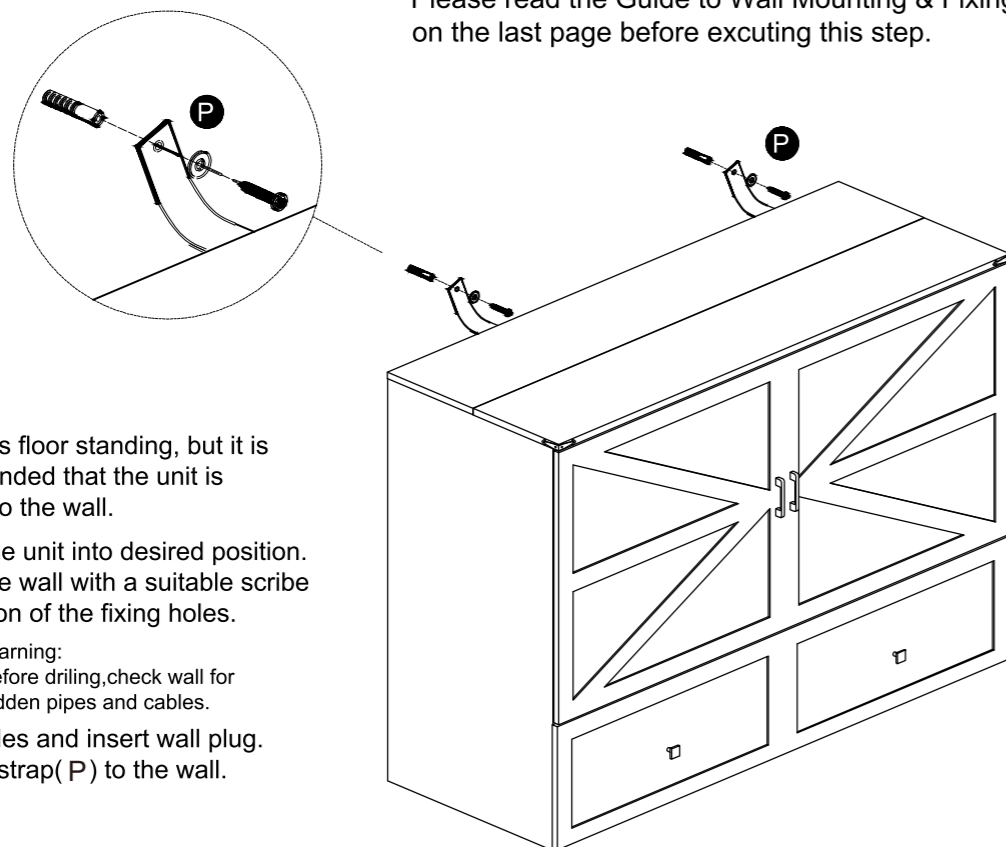


Turn panel (2) flat and insert the drawers into the cabinet.

Step 42



Please read the Guide to Wall Mounting & Fixings on the last page before executing this step.



The unit is floor standing, but it is recommended that the unit is secured to the wall.

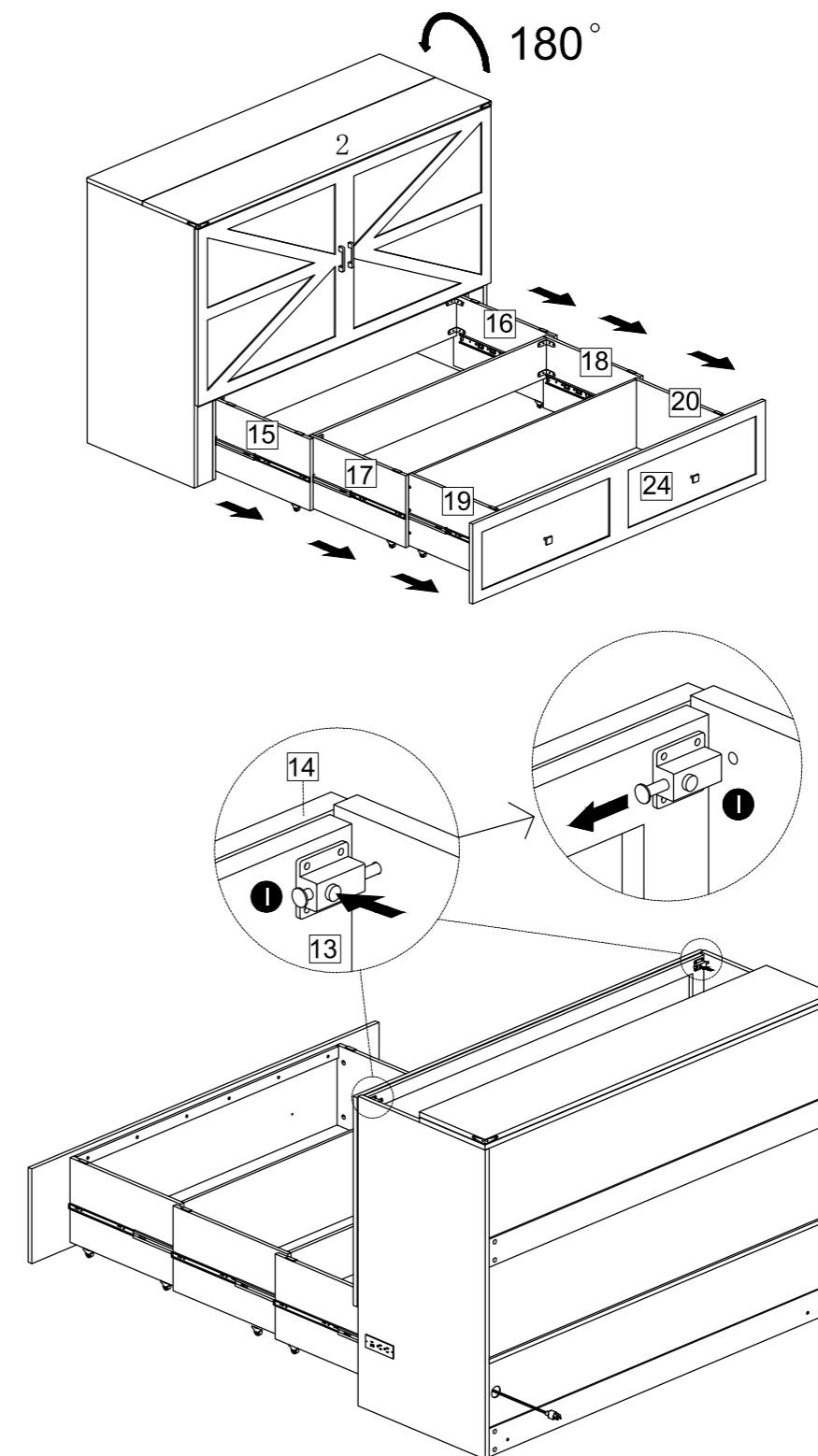
1. Move the unit into desired position.
2. Mark the wall with a suitable scribe the position of the fixing holes.

Warning:
Before drilling, check wall for hidden pipes and cables.

3. Drill holes and insert wall plug.
4. Attach strap (P) to the wall.

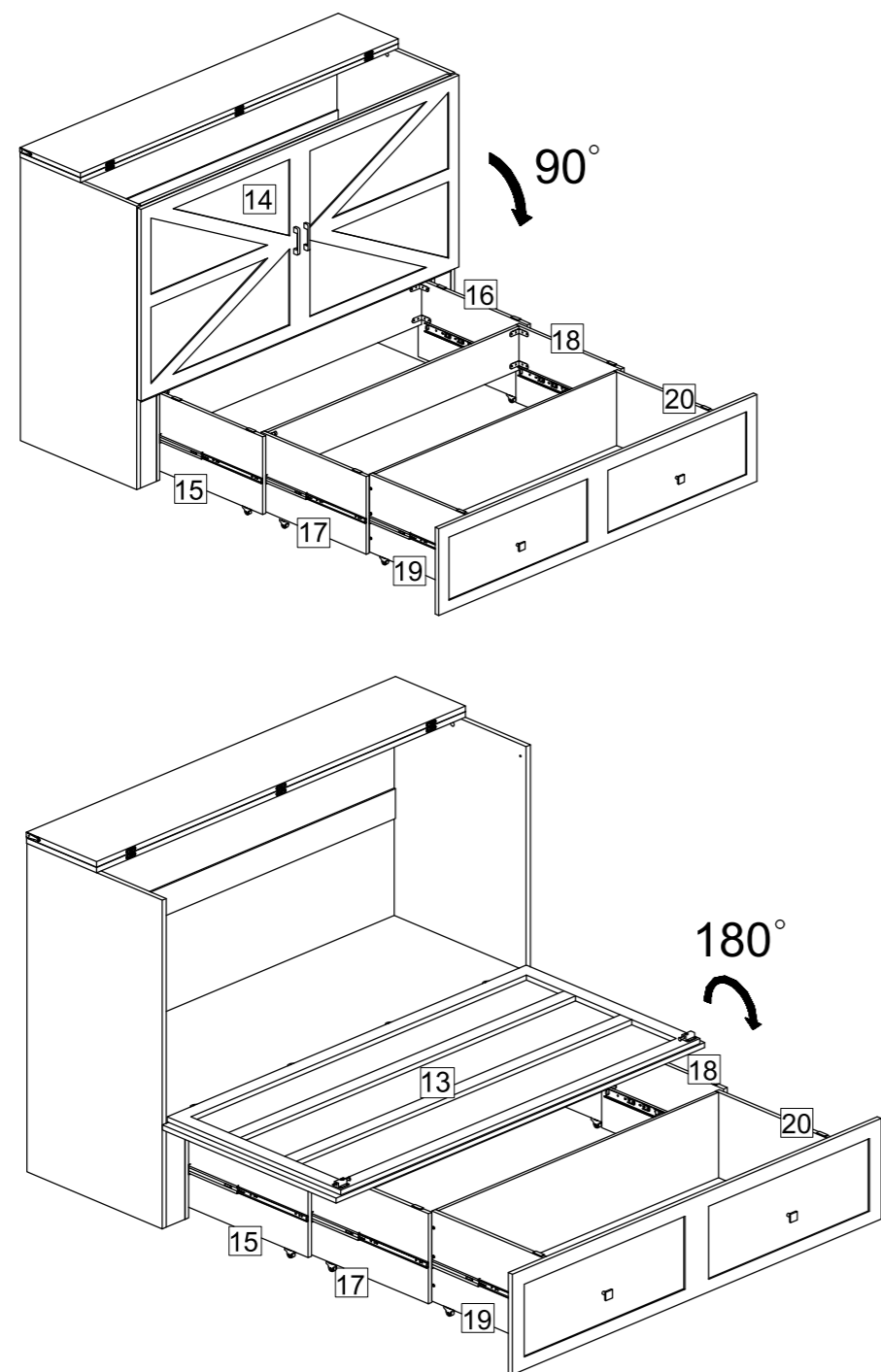
Secure the assembled cabinet to the wall using anti-tip hardware (P).

Step 43



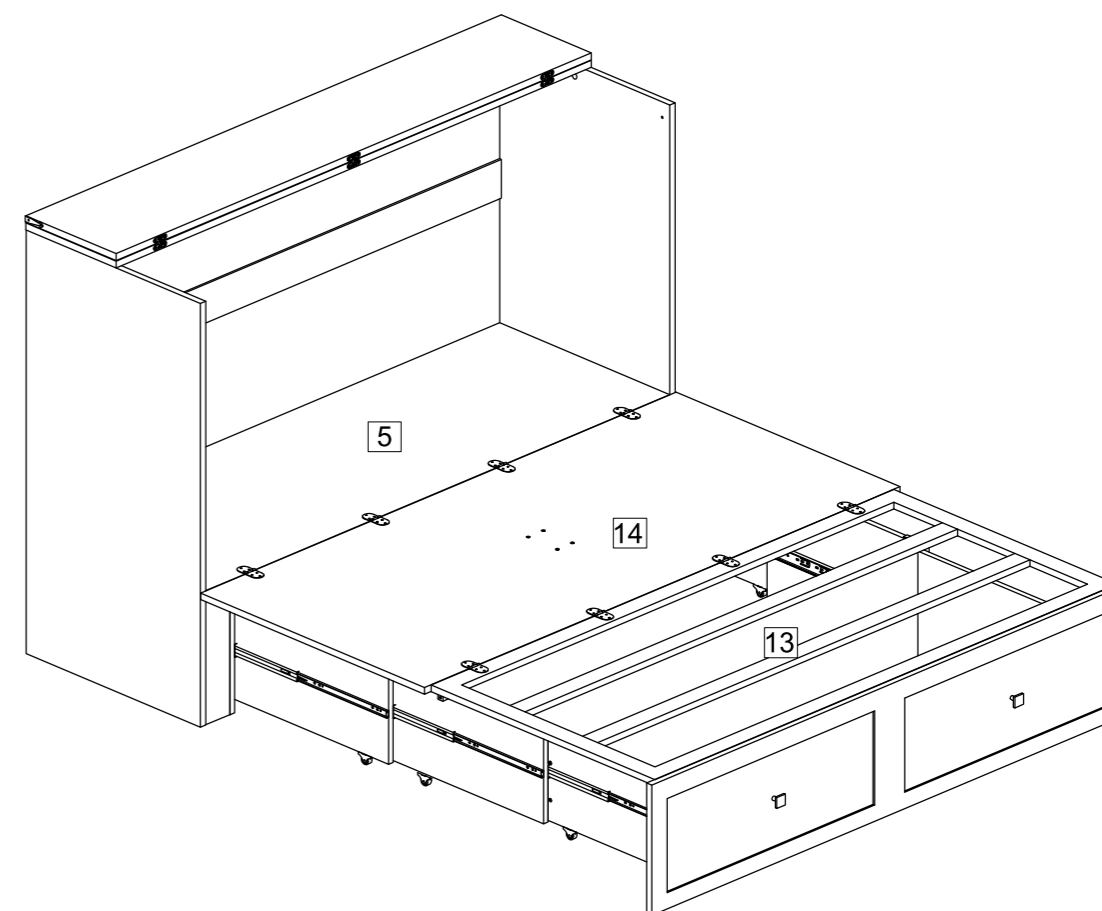
Turn panel (2) again, pull out the drawers, and press accessory (I) to release the latch.

Step 44



After releasing the latch, lower panel (14) to lay it flat.

Step 45



Installation Complete.

Lower panel (13) flat.

A Guide to Wall Mounting & Fixings



Important Note:


- If plastic wall plugs (rawl plugs) are supplied with your product, e.g.:
- these are only suitable for use in masonry walls.
- If you are in any doubt about the correct wall plugs for your wall, seek professional advice.
- Failure of the product due to using the incorrect fixings is the responsibility of the installer.



Important : When drilling into walls always check that there are no hidden wires or pipes etc.

Make sure that the screws and wall plugs being used are suitable for supporting your unit. Consult a qualified tradesperson if you are unsure.

Hints:

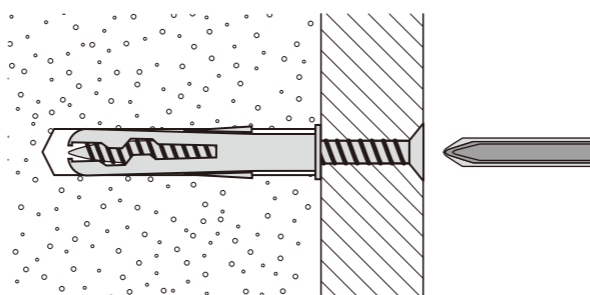
- 1: General rule:  always use a larger screw and wall plug if you are not sure.
- 2: Ensure you use the recommended drill bit to match the wall plug and hole size.
- 3: Ensure you drill the hole horizontally; do not force the drill or enlarge the hole.
- 4: Take extra care when drilling high walls, ceilings and ceramic tiles. Ensure wall plugs are inserted beyond the thickness of the ceramic tiles to avoid the tiles splitting or cracking.
- 5: Ensure wall plugs are well fitted and are a tight fit in the drilled hole.

Types of walls

You can use one of the following types of wall plug if your walls are made of brick, breeze block, concrete, stone or wood.

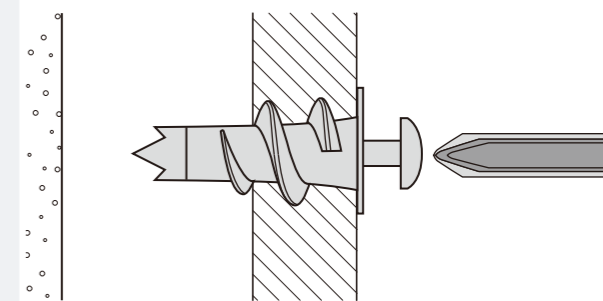
1. "General Purpose" wall plug

Generally aerated blocks should not be used to support heavy loads, use a specialist fitting in this case. For light loads, general purpose wall plugs can be used.



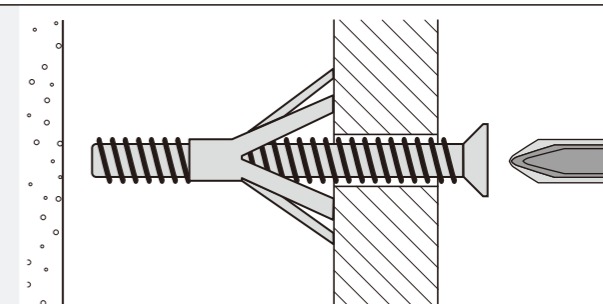
2. "Plasterboard" wall plug

For use when attaching light loads onto plasterboard partitions.



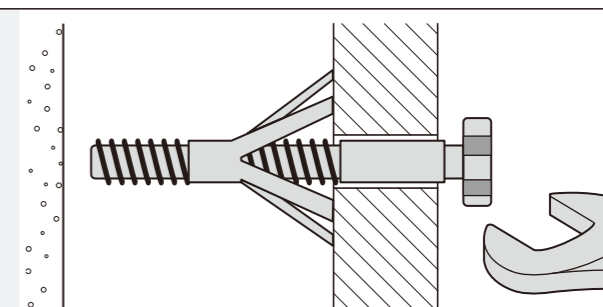
3. "Cavity Fixing" wall plug

For use with plasterboard partitions or hollow wooden doors.



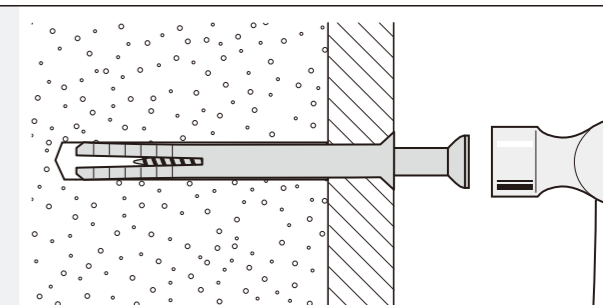
4. "Cavity Fixing – Heavy Duty" wall plug

For use when fitting or supporting heavy loads such as shelving, wall cabinets and coat racks.



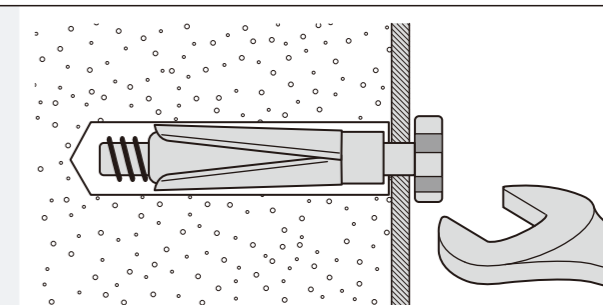
5. "Hammer Fixing" wall plug

For use with walls stuck with plasterboard. The hammer fixing allows it to be fixed to the wall rather than the plasterboard. Always check the fixing is secure to the retaining wall.



6. "Shield Anchor" wall plug – heavy loads

For use with heavier loads such as TV and HiFi speakers and satellite dishes etc.



Care & Maintenance



Safety: always check the fitting and location to ensure your safety in and around the home.

Fitting: from time to time check the fitting to ensure the wall plugs or screws do not become loose.