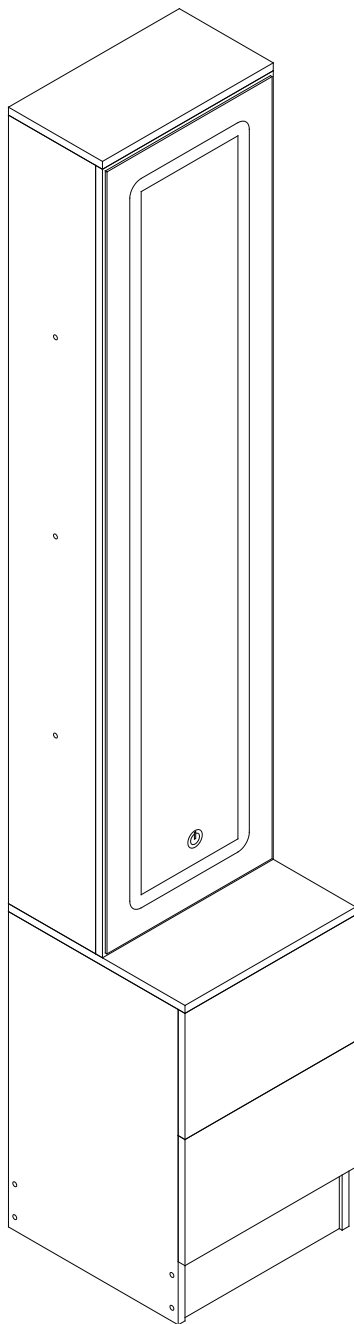
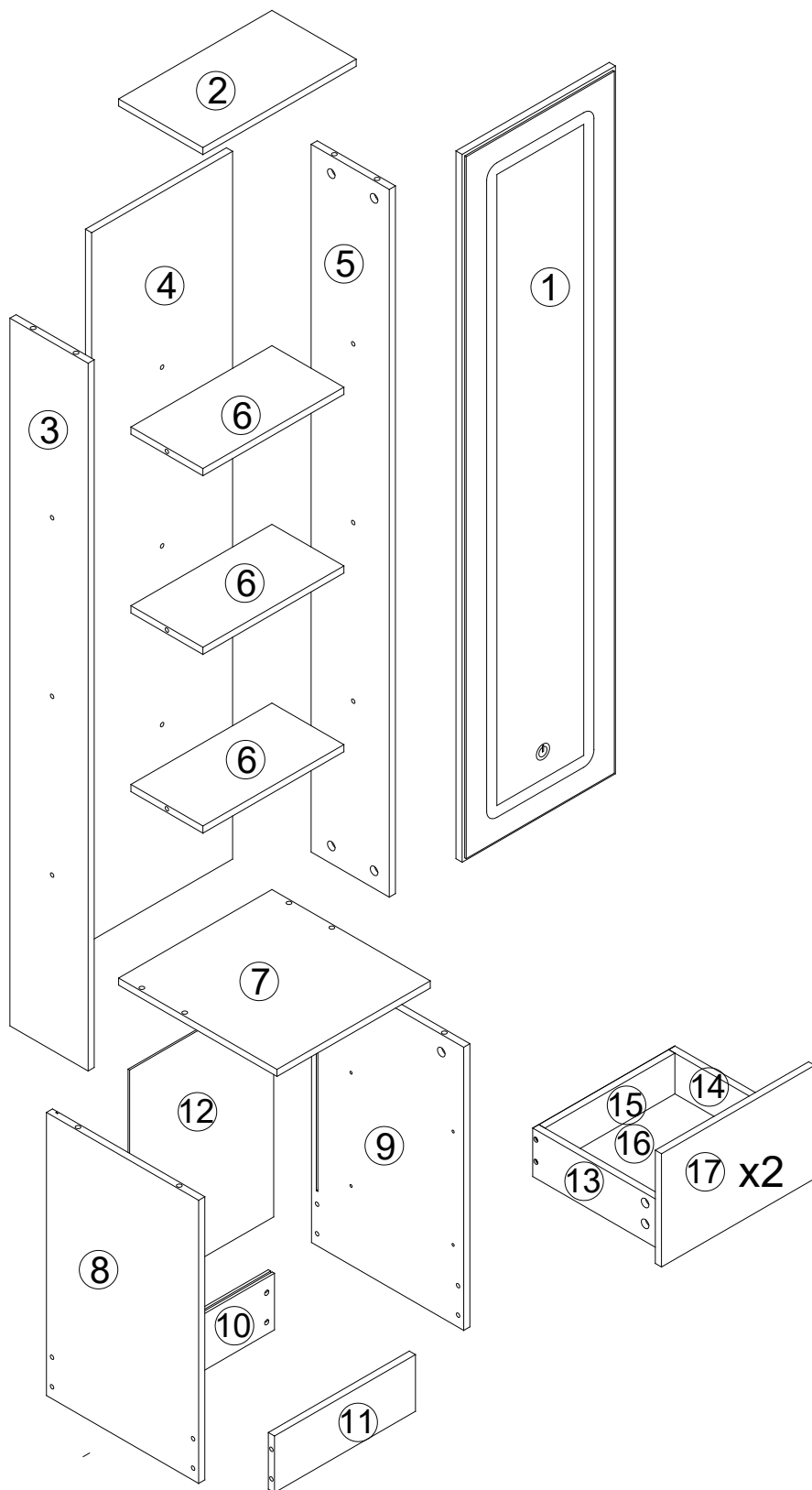


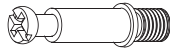
INSTALLATION MANUAL

JG-W-L, JG-B-L





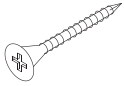
HARDWARE



A	SCREW & PLASTIC LOCK	x20
---	----------------------	-----

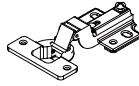


B	SCREW & METAL LOCK	x20
---	--------------------	-----



3.5x35

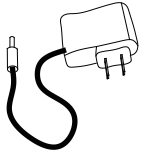
C	SCREW	x8
---	-------	----



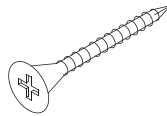
D	HINGE	x2
---	-------	----



E	SCREW	x32
---	-------	-----



F	POWER PLUG	x1
---	------------	----

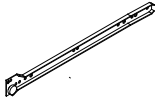


5x45

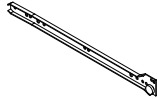
J	SCREW	x14
---	-------	-----



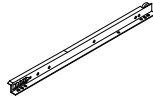
K	SCREW	x14
---	-------	-----



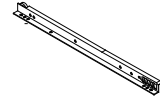
CL



CR



DL

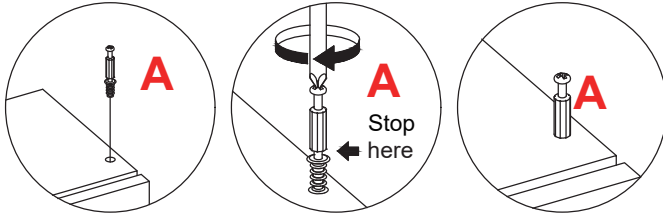


DR

	DRAWER TRACK	x2
--	--------------	----

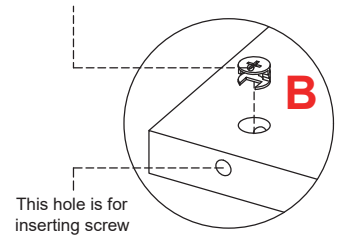
1. Screw installation method

When the screw is installed, please keep it in line with the board, and do not tighten it too tightly

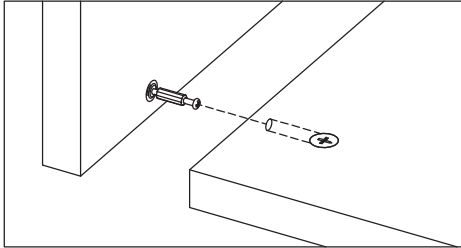


2. Check the Nut direction

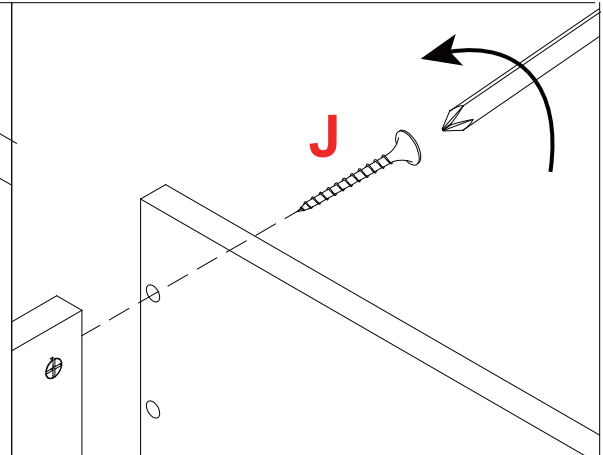
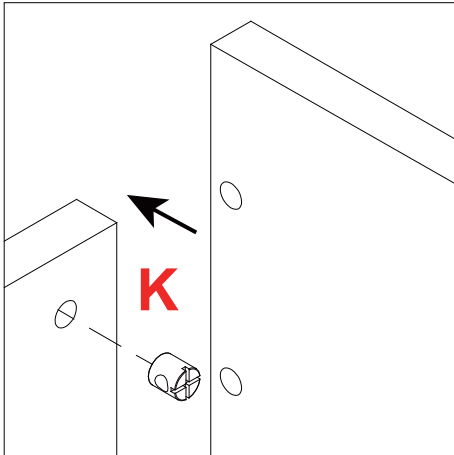
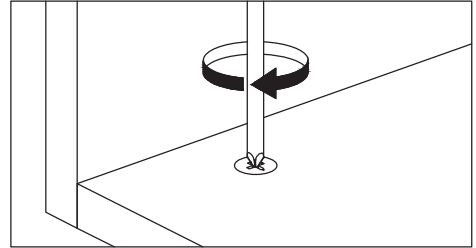
This direction of the marked nut is consistent with the direction in which the screw is inserted



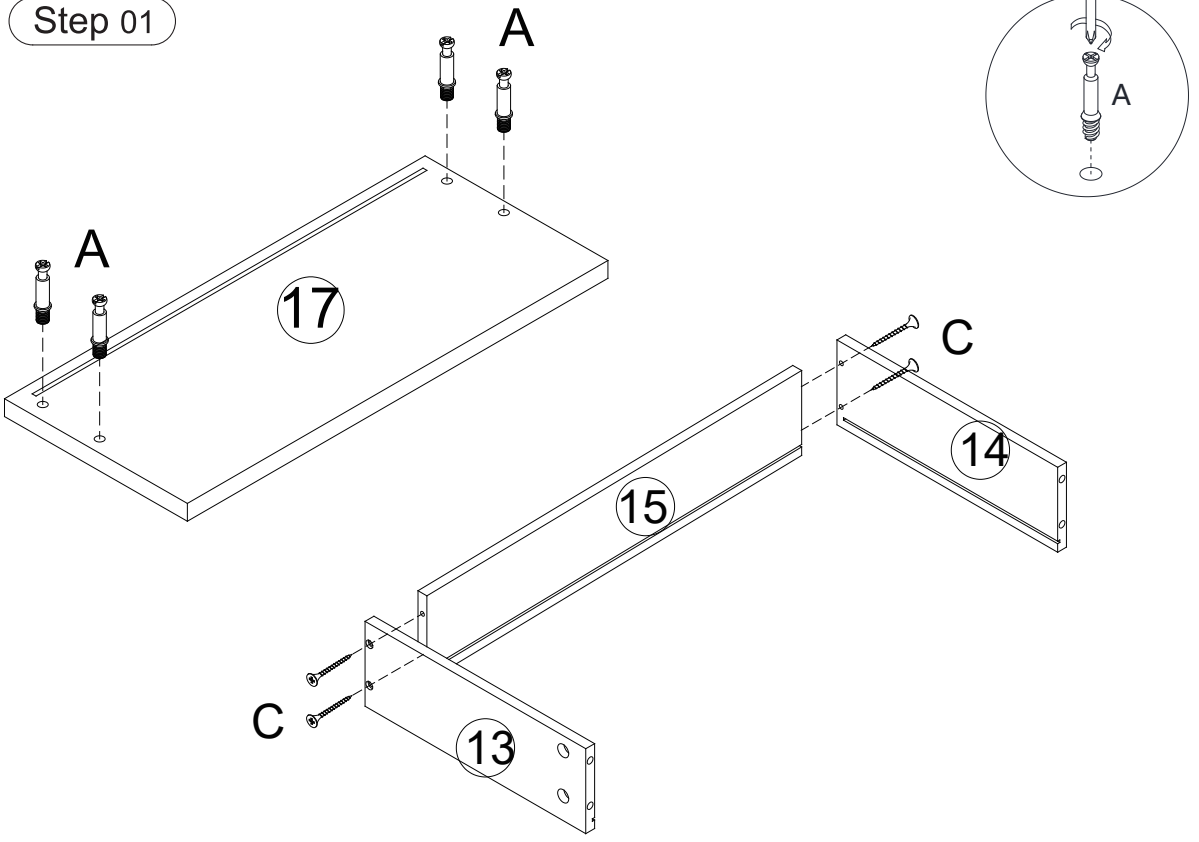
3. Installation on the board with fixing screws



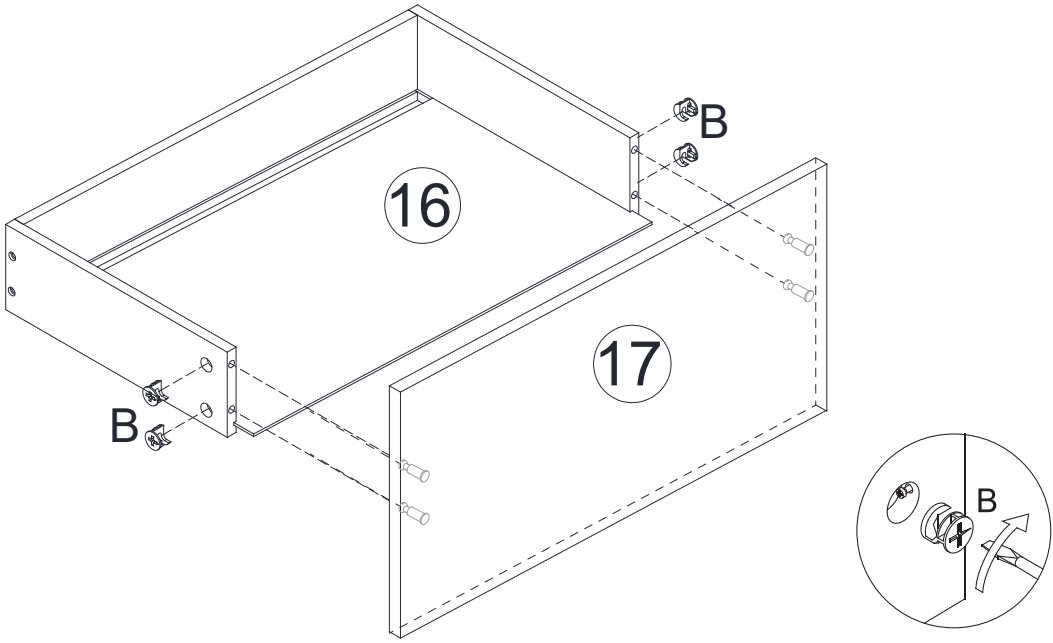
3. Rotate slowly until it stops



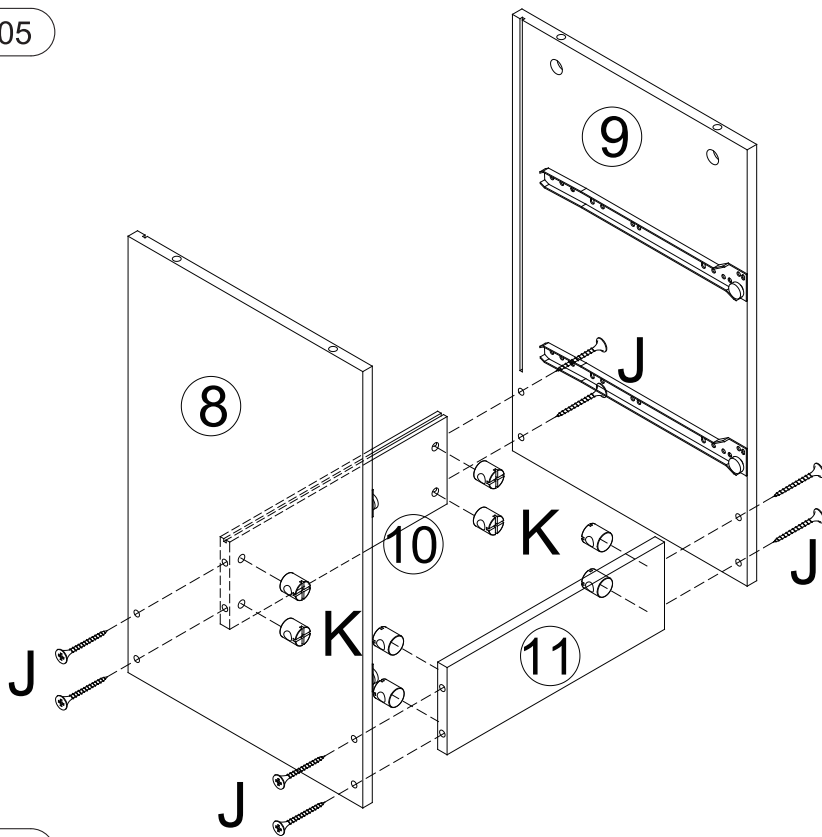
Step 01



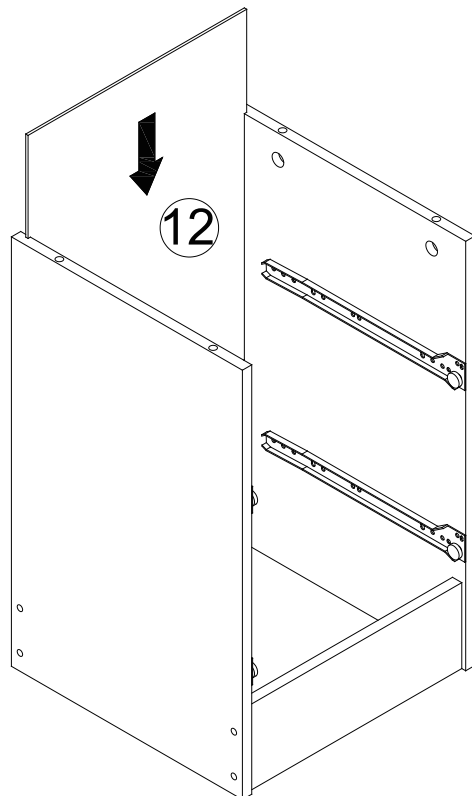
Step 02



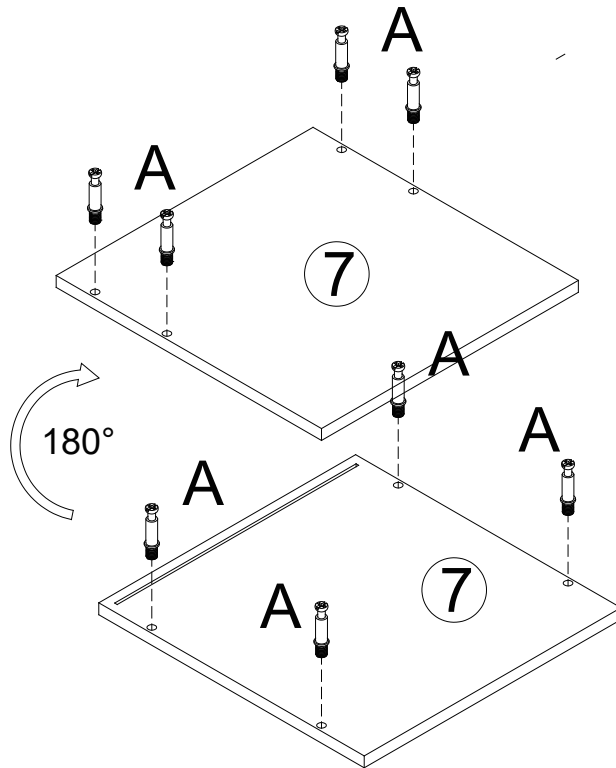
Step 05



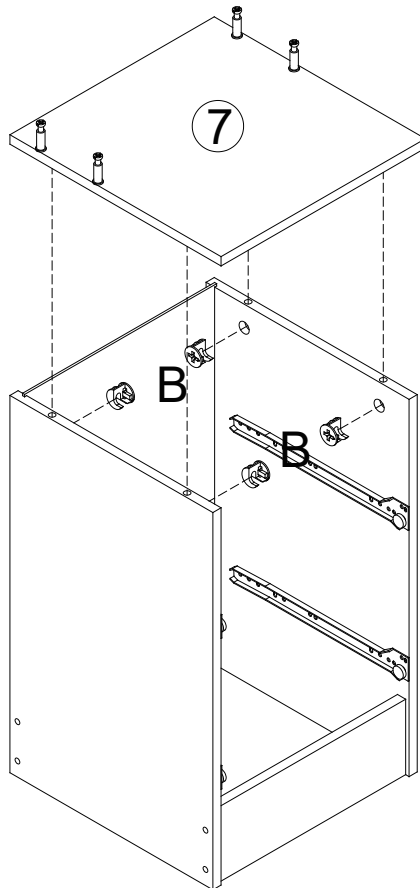
Step 06



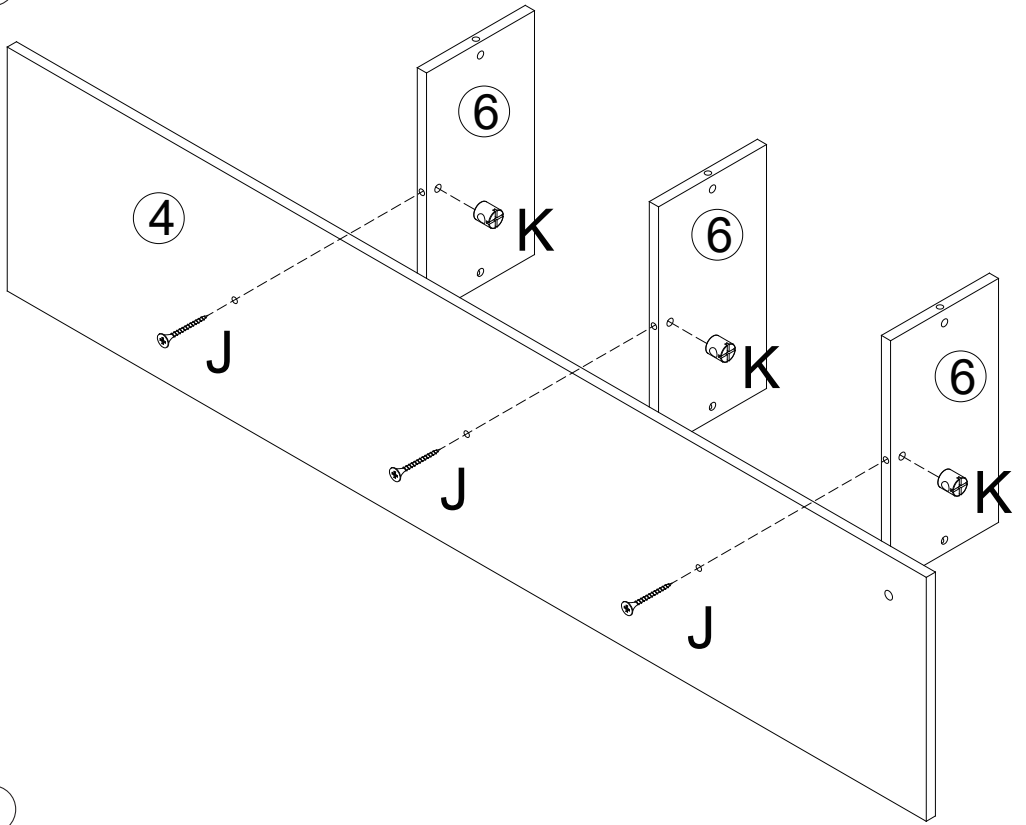
Step 07



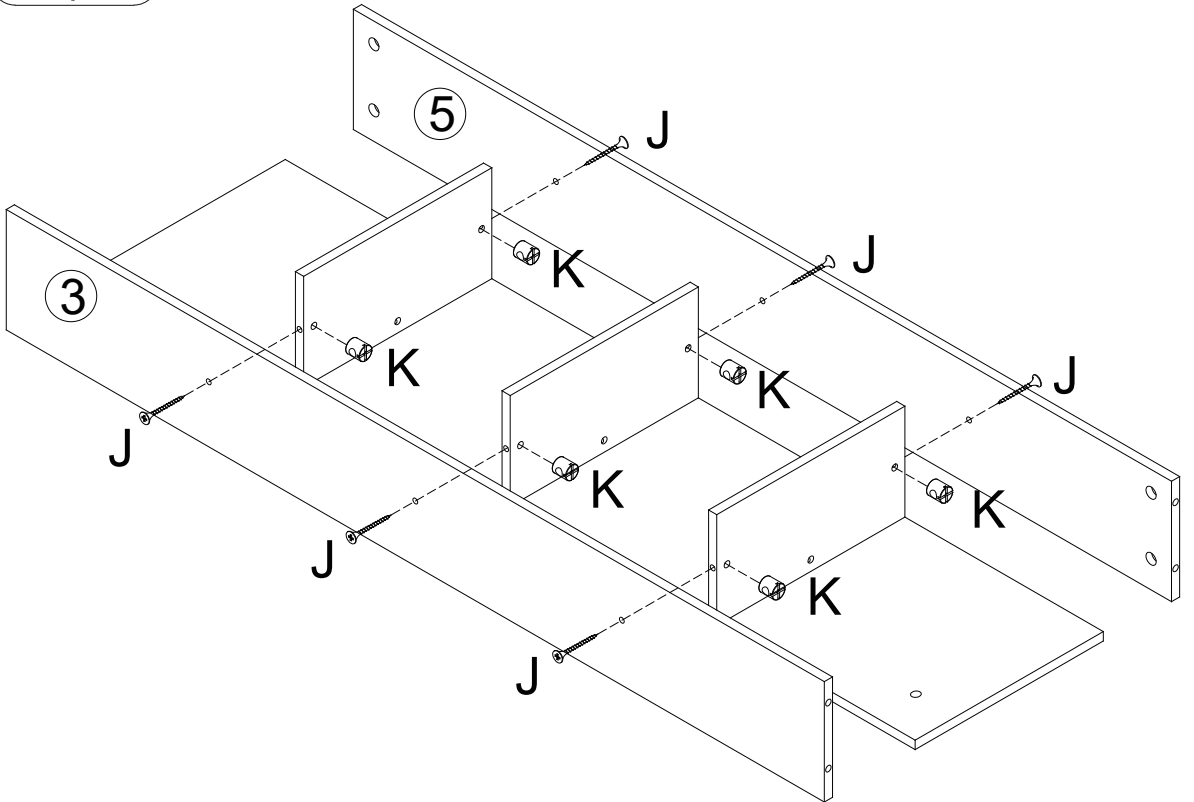
Step 08



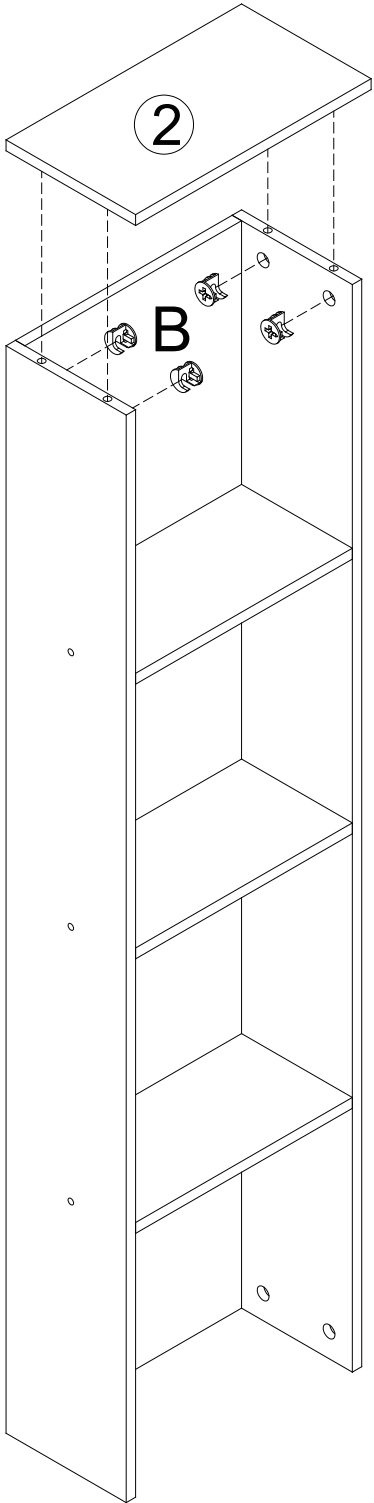
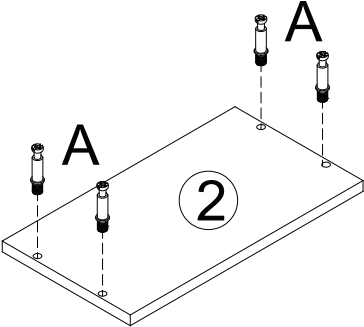
Step 09



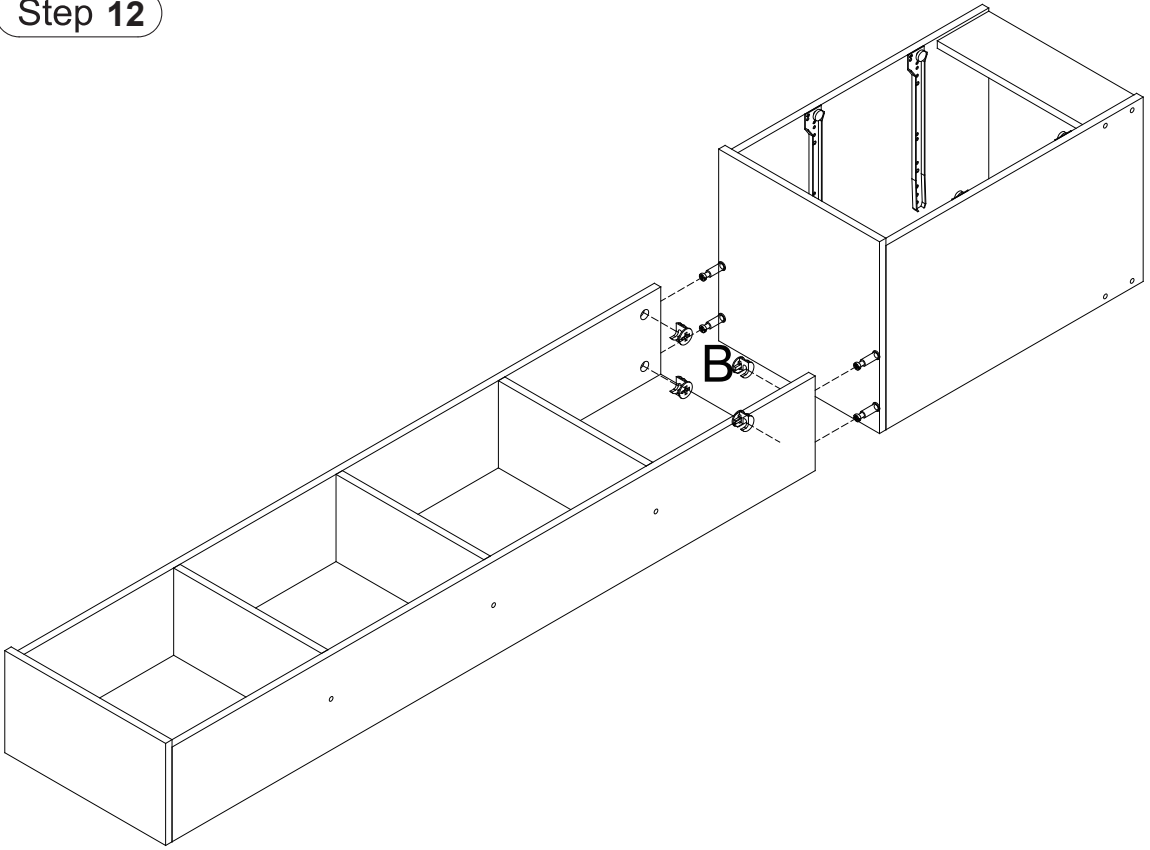
Step 10



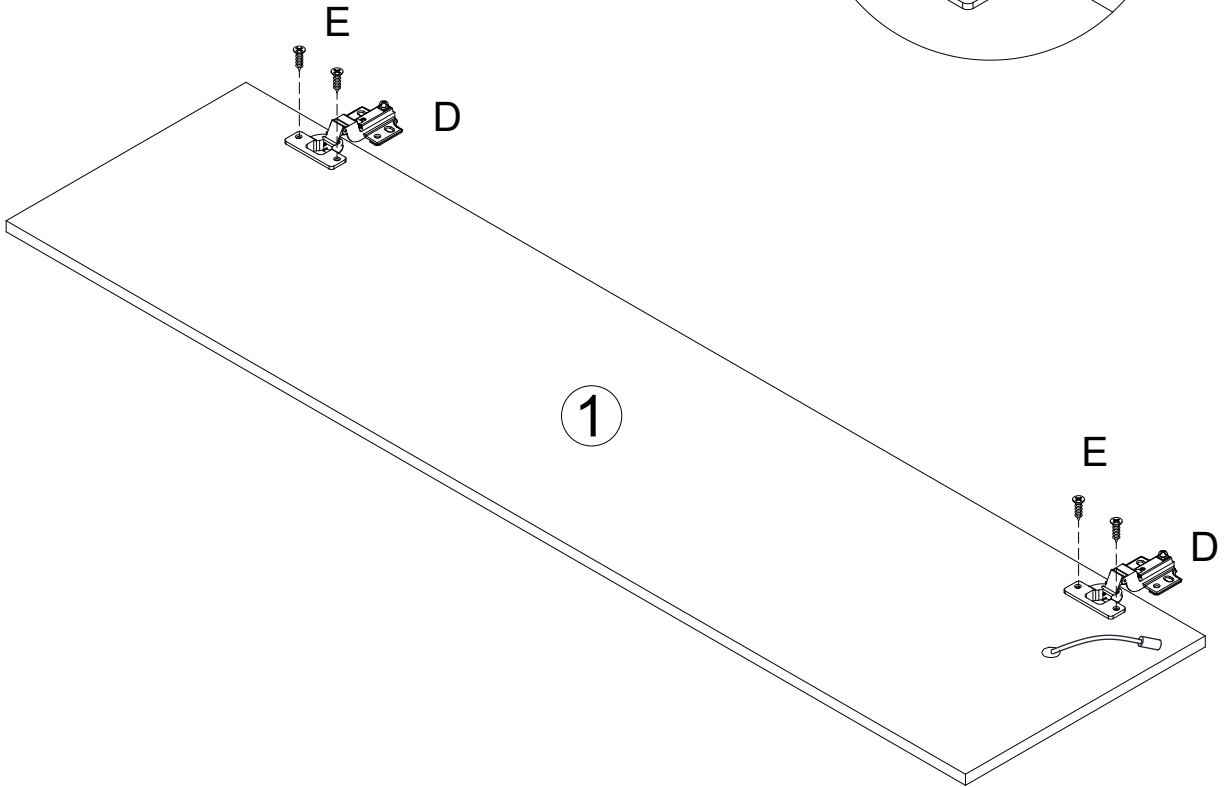
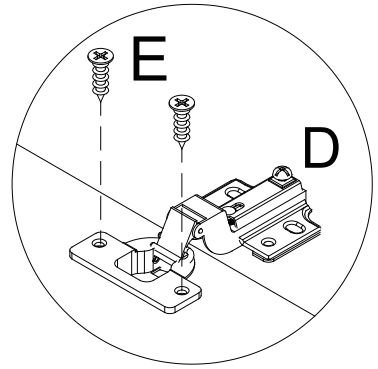
Step 11



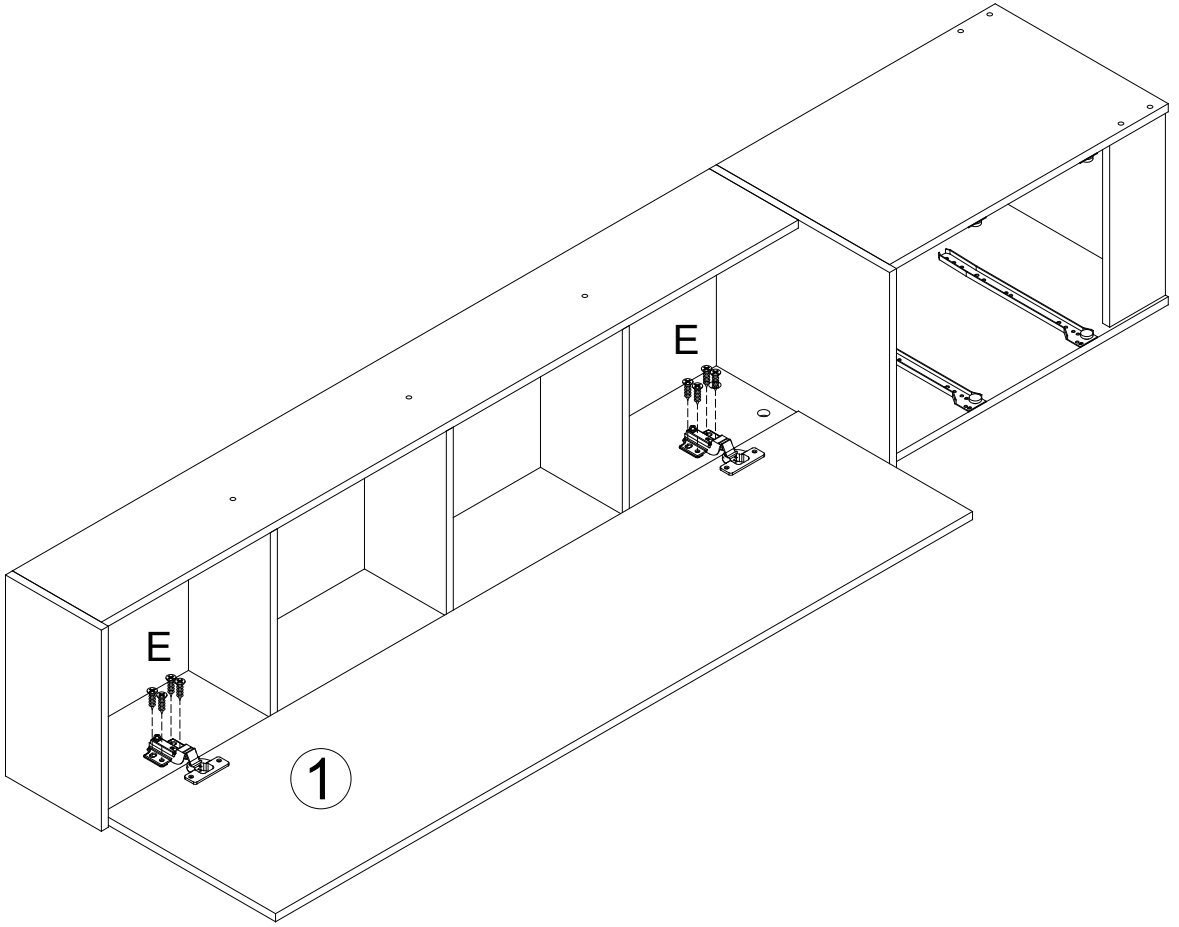
Step 12



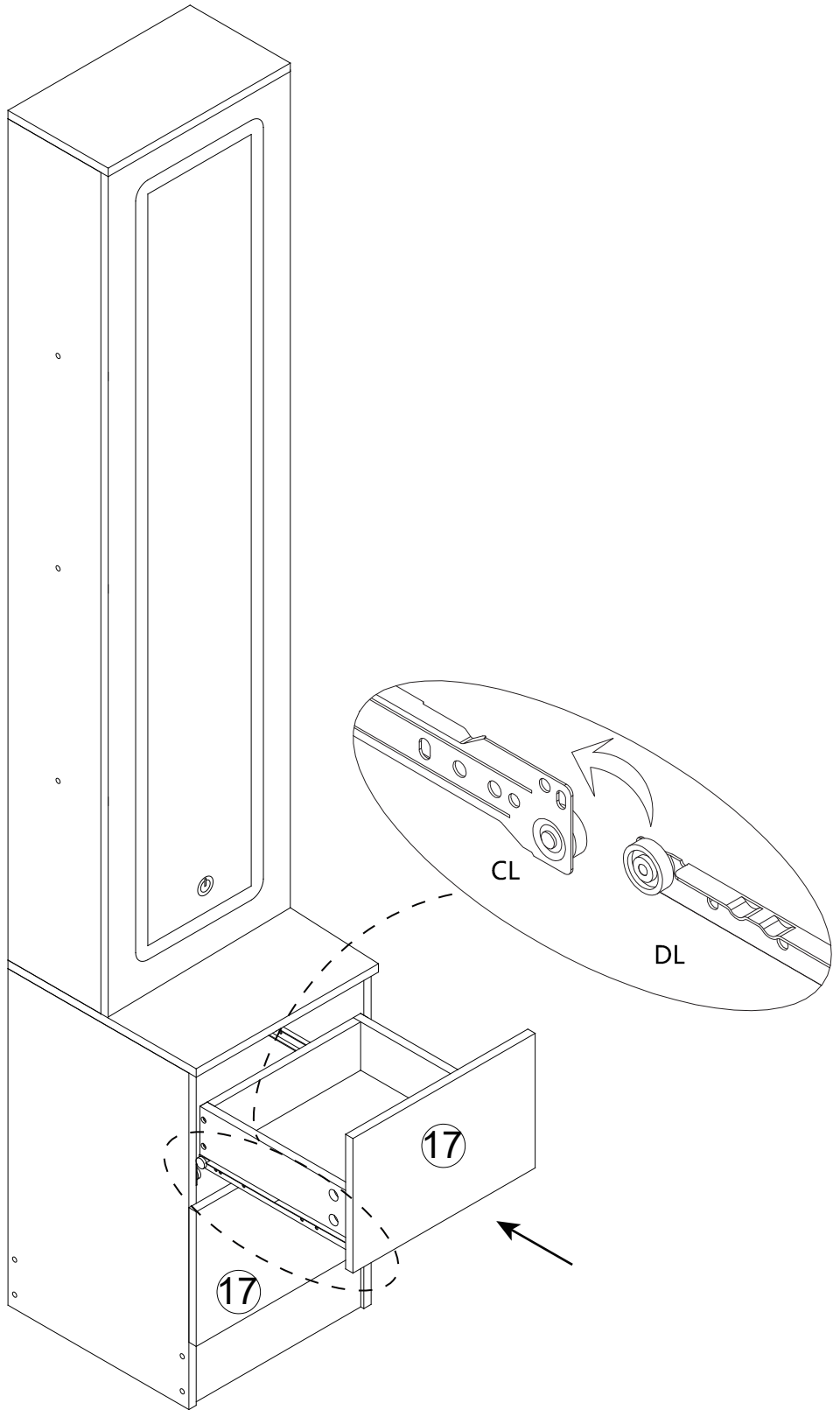
Step 13



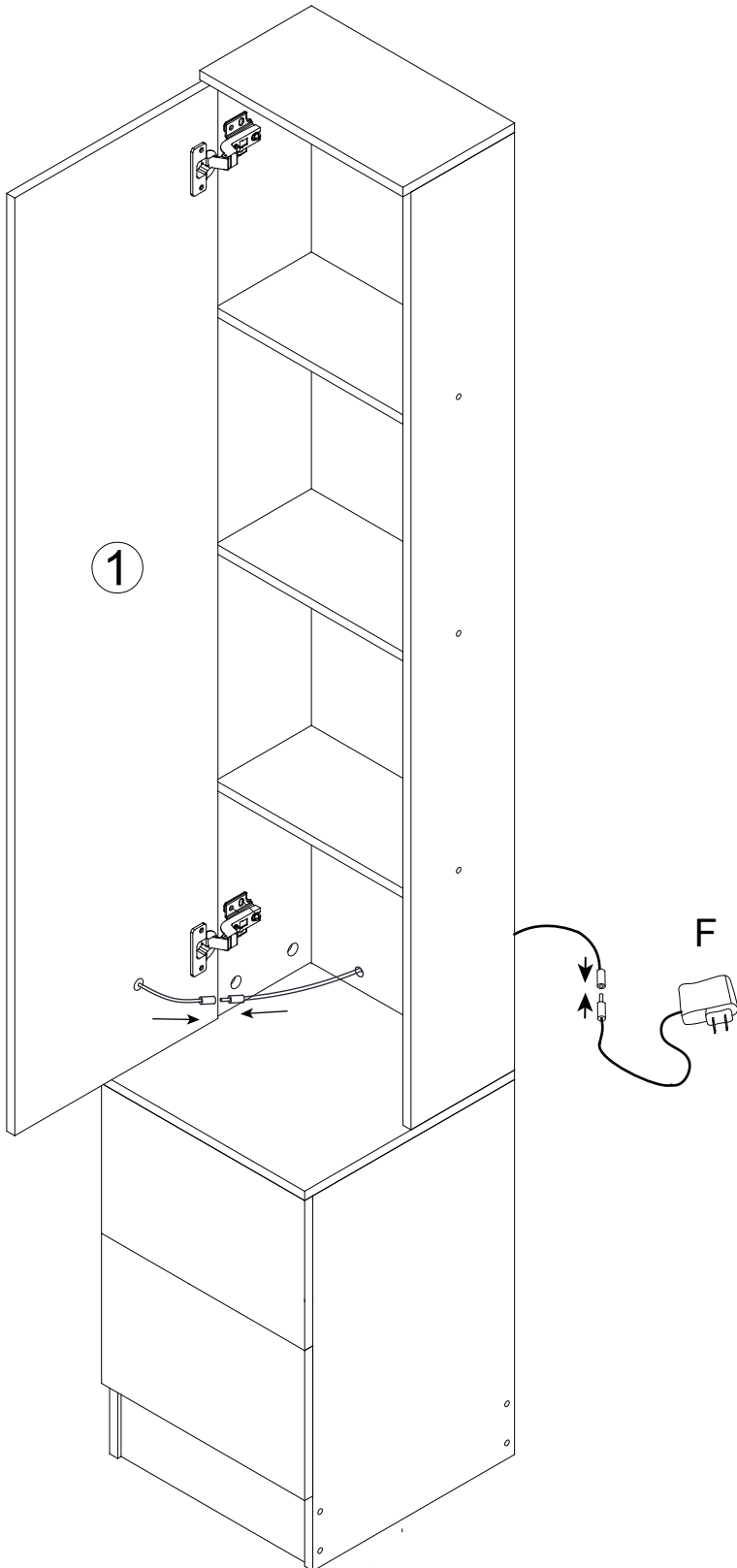
Step 14



Step 15



Step 16



Step 17

