

ASSEMBLY INSTRUCTIONS

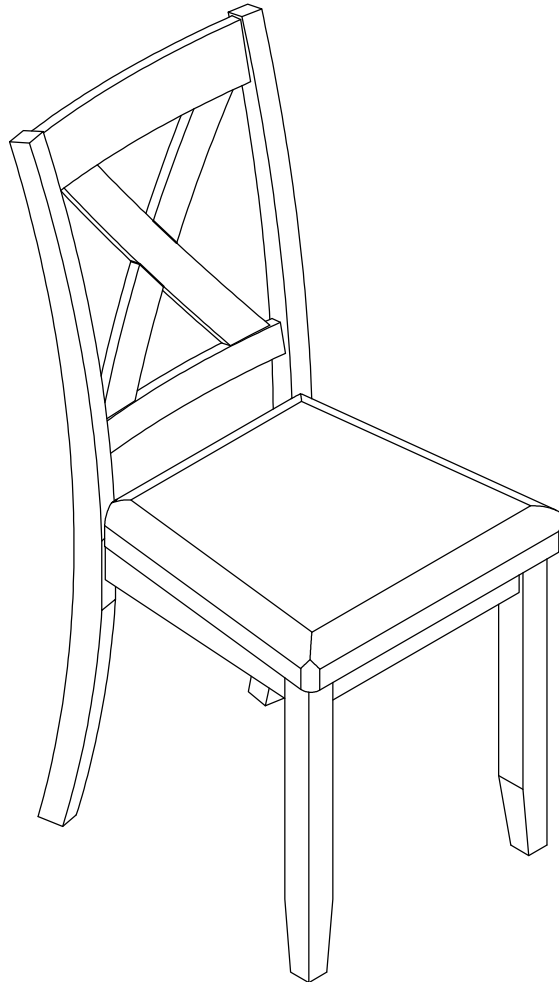
DINING CHAIR

IMPORTANT NOTE :

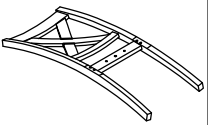

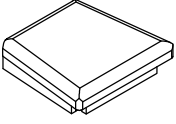

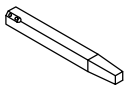




** PLACE ALL PARTS ON A CLEAN AND SMOOTH SURFACE SUCH AS A RUG OR CARPET TO AVOID THE PARTS FROM BEING SCRATCHED.

** BEFORE YOU BEGIN, KINDLY FOLLOW THE ASSEMBLY INSTRUCTIONS STEP BY STEP.

**DO NOT TIGHTEN ALL SCREWS AND BOLTS UNTIL THE CHAIR IS FULLY SET-UP.

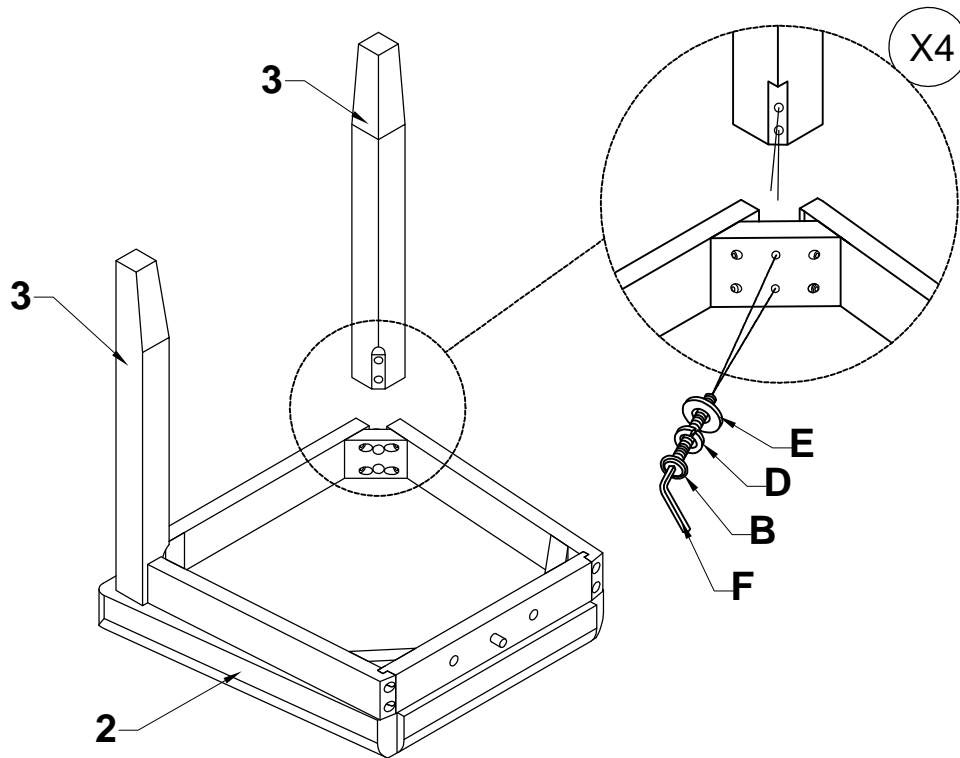


CARTONS ONLY ONE/ CARTONS SEULEMENT UN

PART LISTS				HARDWARE LISTS			
NO.	DESCRIPTION	SKETCH	Q'TY	NO.	DESCRIPTION	SKETCH	Q'TY
1	CHAIR BACK		4 PCS	A	BOLT Ø1/4" x 38mmL		8 PCS
2	SEAT FRAME		4 PCS	B	BOLT Ø1/4" x 60mmL		16 PCS
3	FRONT LEG		8 PCS	C	BOLT Ø1/4" x 75mmL		16 PCS
				D	SPRING WASHER Ø1/4" x 13mmL		40 PCS
				E	FLAT WASHER Ø1/4" x 19mmL		40 PCS
				F	ALLEN KEY		4 PCS

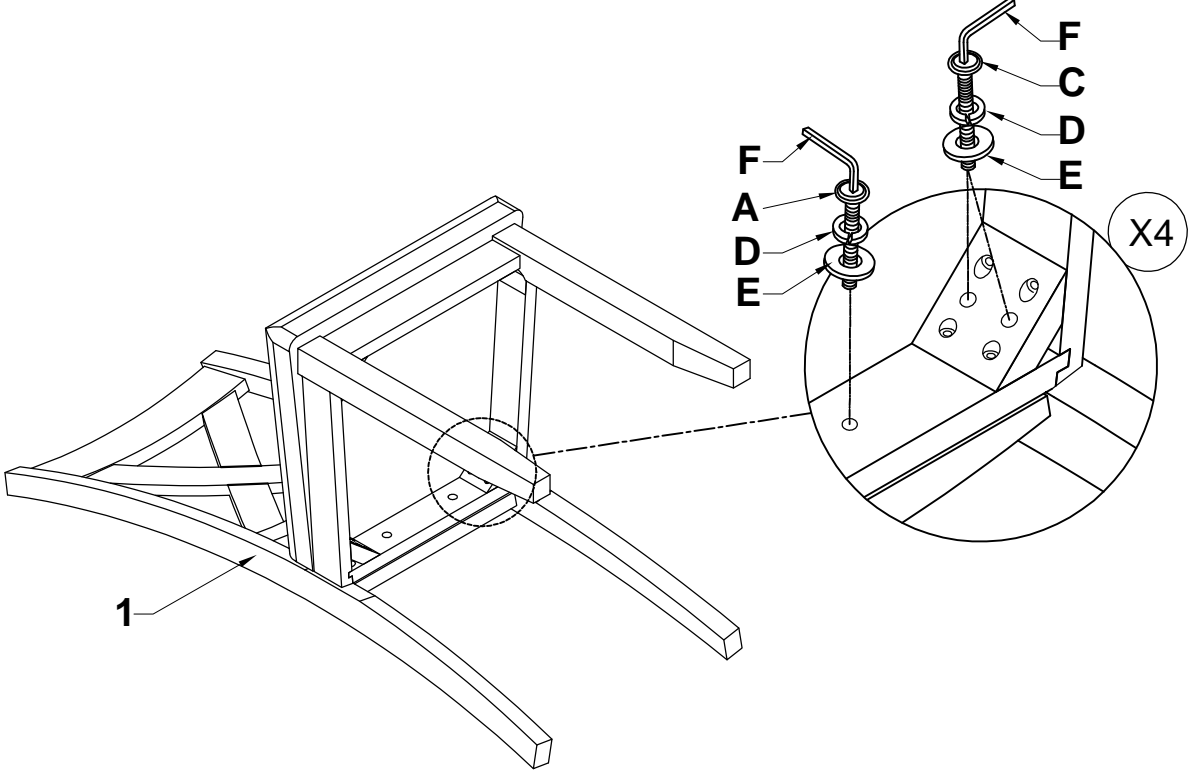
ASSEMBLY INSTRUCTIONS

STEP 1:



ASSEMBLY INSTRUCTIONS

STEP 2:



STEP 3:

