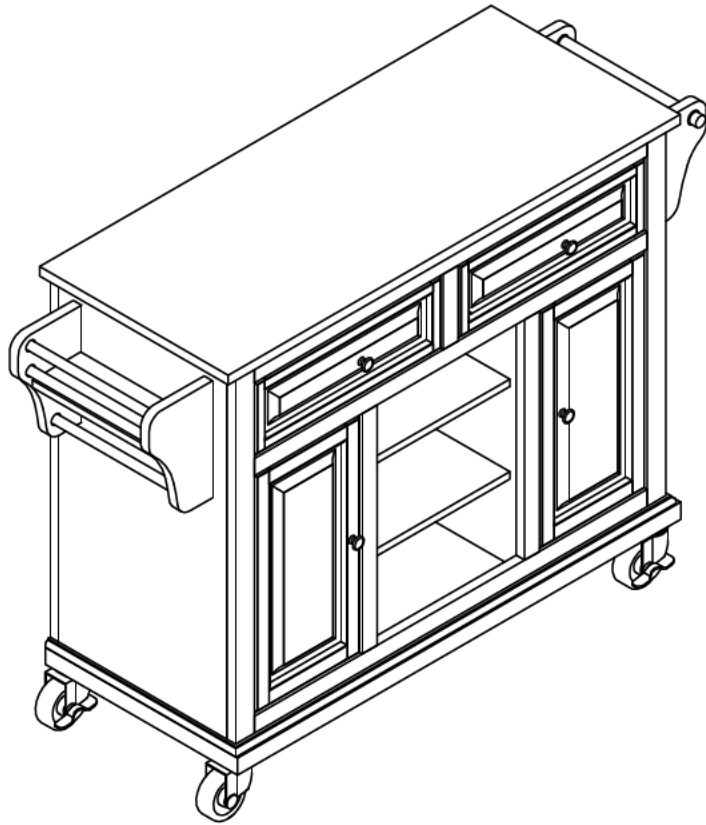










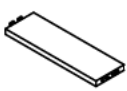






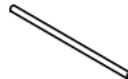



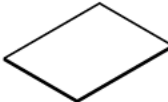
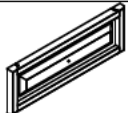


Kitchen Cart Cabinet









PART LIST :

ITEM	FIGURE	DESCRIPTION	QTY
1		Top Panel	1PC
2		Bottom panel	1PC
3		Left Side Panel	1PC
4		Right Side Panel	1PC
5		Front Frame	1PC
6		Back Frame	1PC
7		L/R Bottom Partition Panel	2PCS
8		Top Partition Panel	1PC
9		L/R Shelf Panel	2PCS
10		Center Shelf	2PCS
11		Right Side shelf rail	1PC
12		Towel Rack Support Left Side Panel	1PC

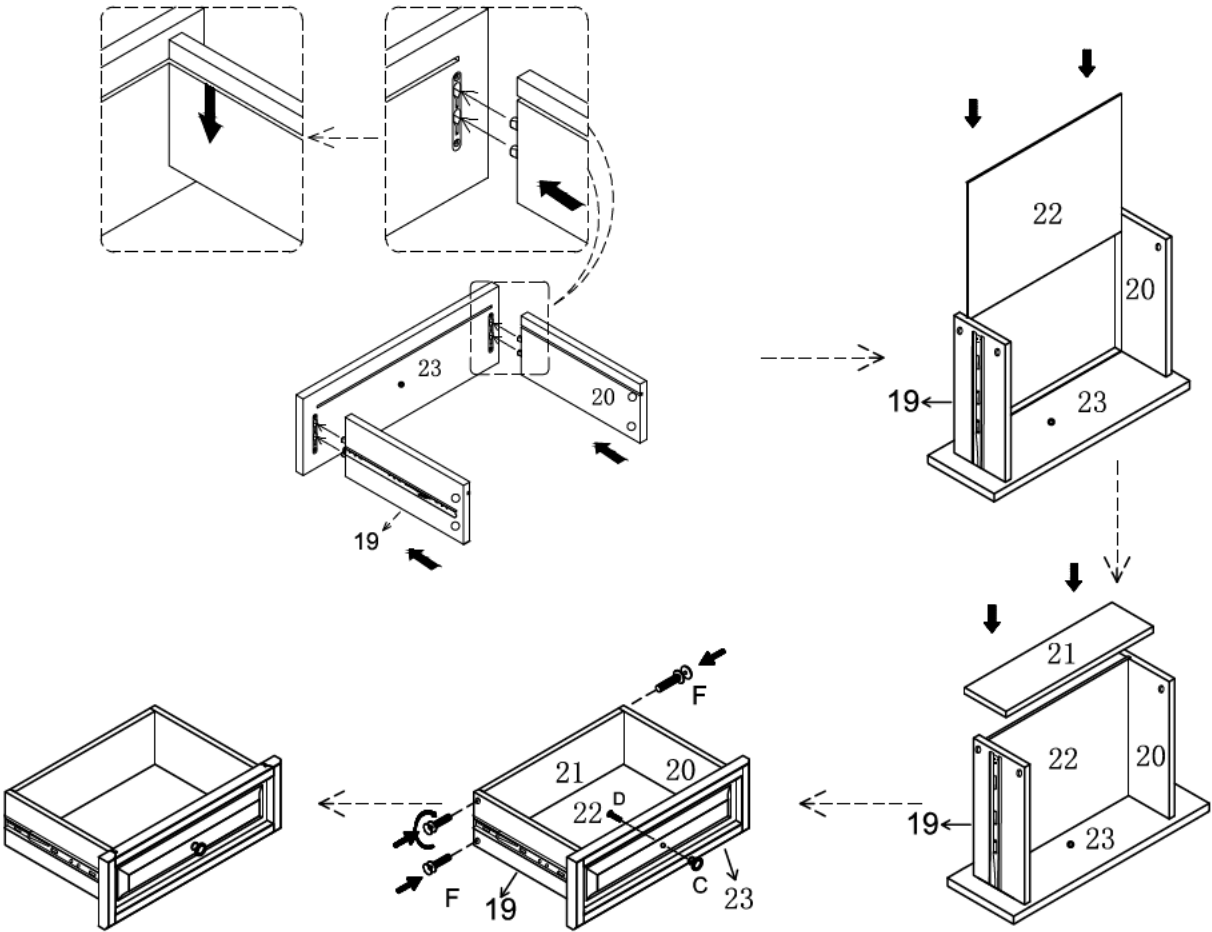
ITEM	FIGURE	DESCRIPTION	QTY
13		Towel Rack Support Right Side Panel	1PC
14		Towel Rod	1PC
15		Left Side shelf rail	1PC
16		Spice Rack Left Side Panel	1PC
17		Spice Rack Right Side Panel	1PC
18		Spice Rack Bar	3PCS
19		Drawer Left Side Panel	2PCS
20		Drawer Right Side Panel	2PCS
21		Drawer Back Panel	2PCS
22		Drawer Bottom Panel	2PCS
23		Drawer Front Panel	2PCS

HARDWARE LIST:

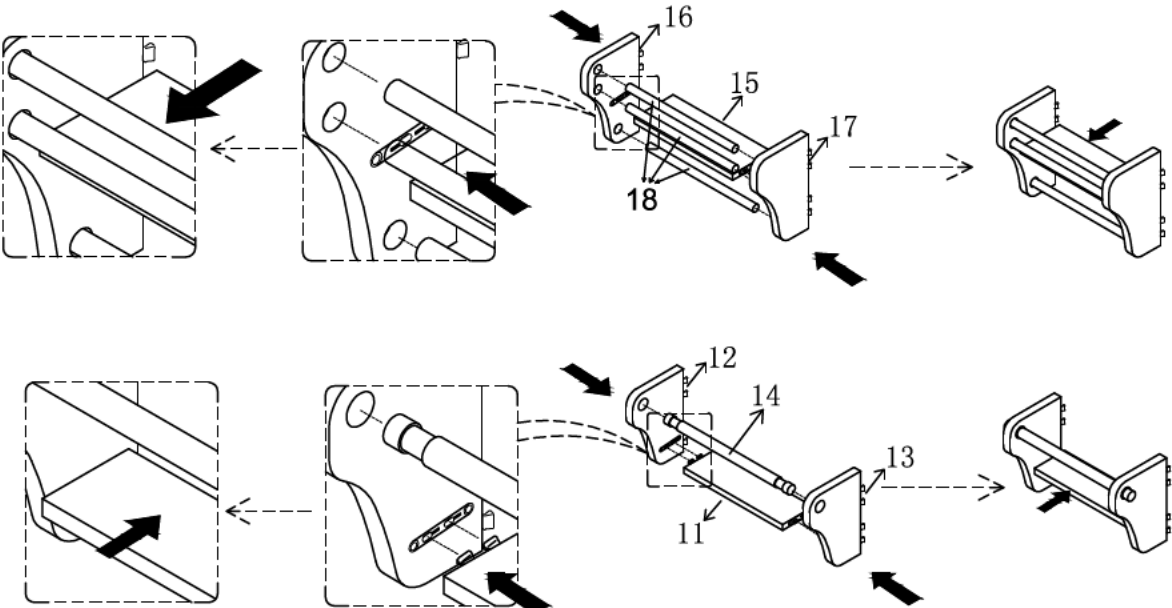
ITEM	FIGURE	DESCRIPTION	QTY
A		Castor with Brake 3"	2PCS
B		Castor without Brake 3"	2PCS
C		Knob L31*25mm	4PCS

ITEM	FIGURE	DESCRIPTION	QTY
D		Screw vis Ø5/32**19mm	4PCS
E		Shelf Support Ø6.5mm	16PCS
F		Ø1/2**41mm	8PCS

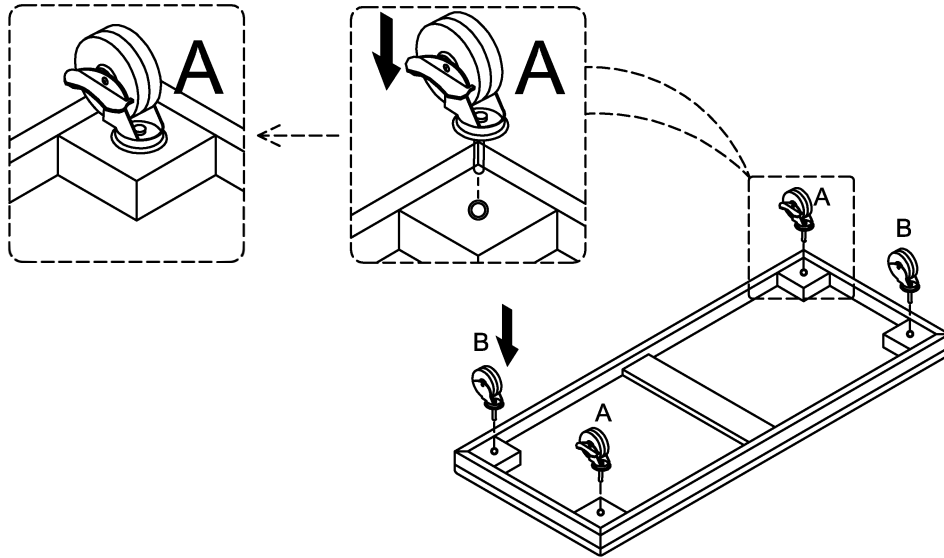
Step 1.



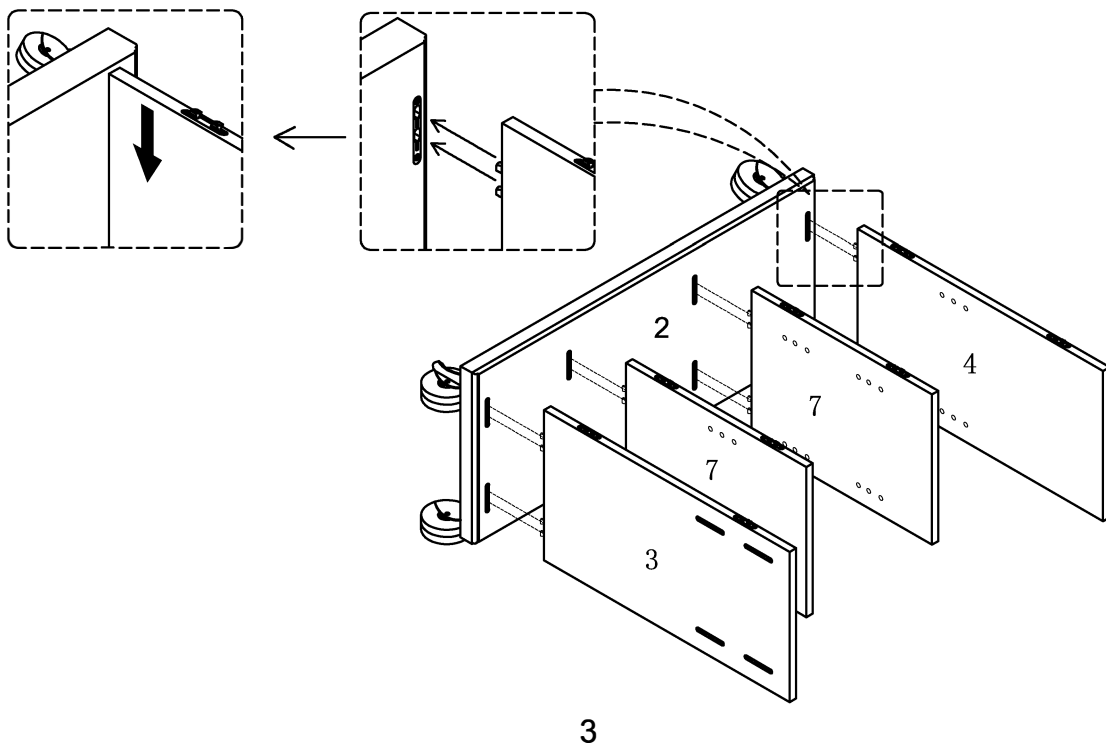
Step 2.



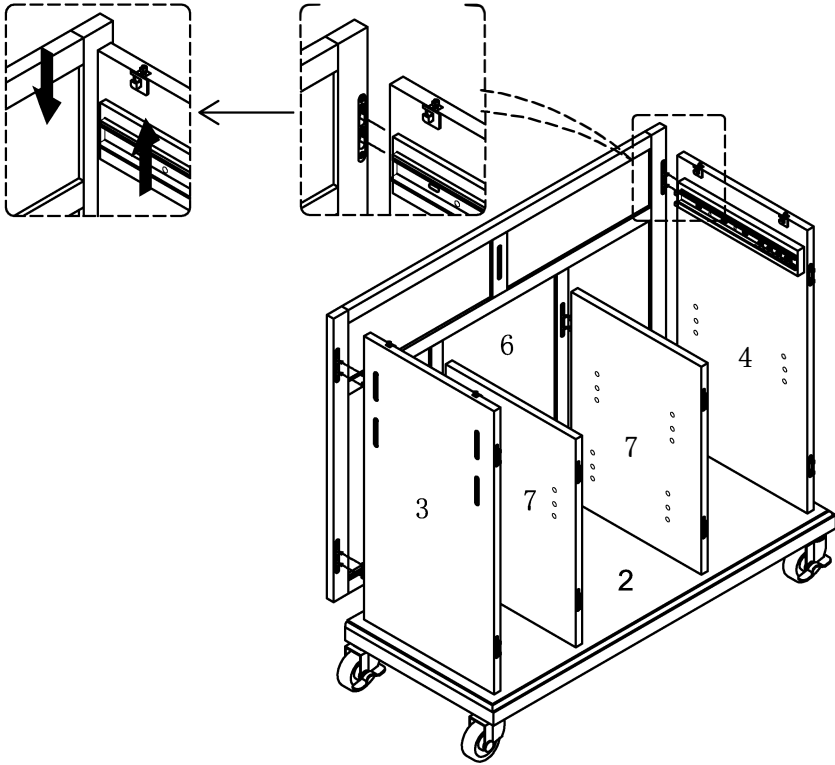
Step 3.



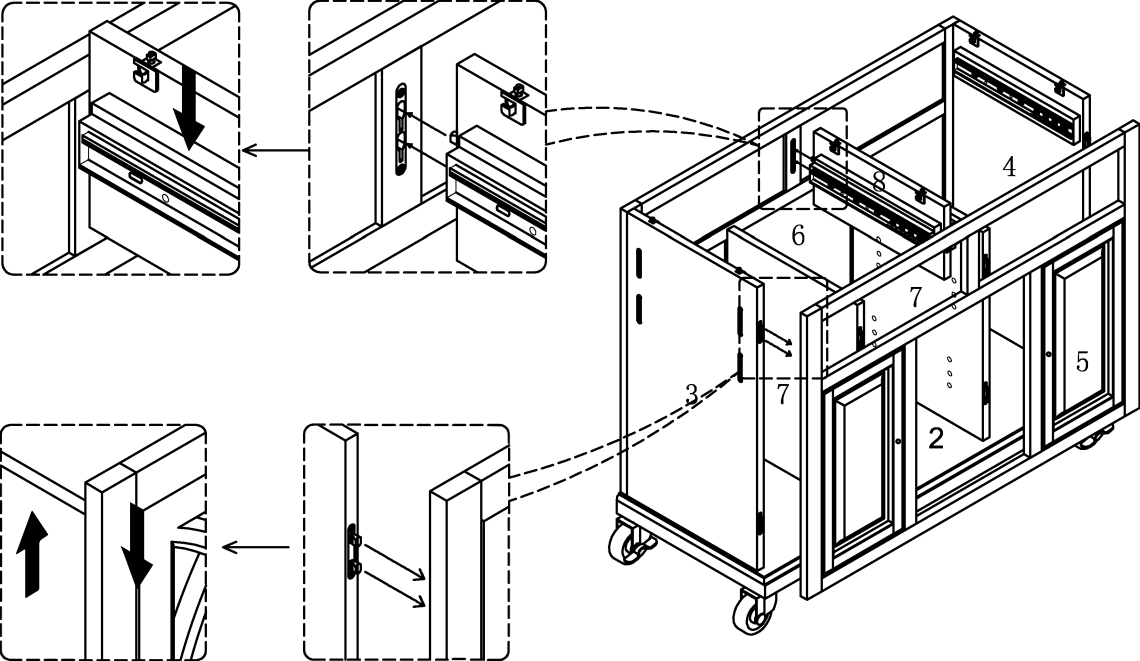
Step 4.



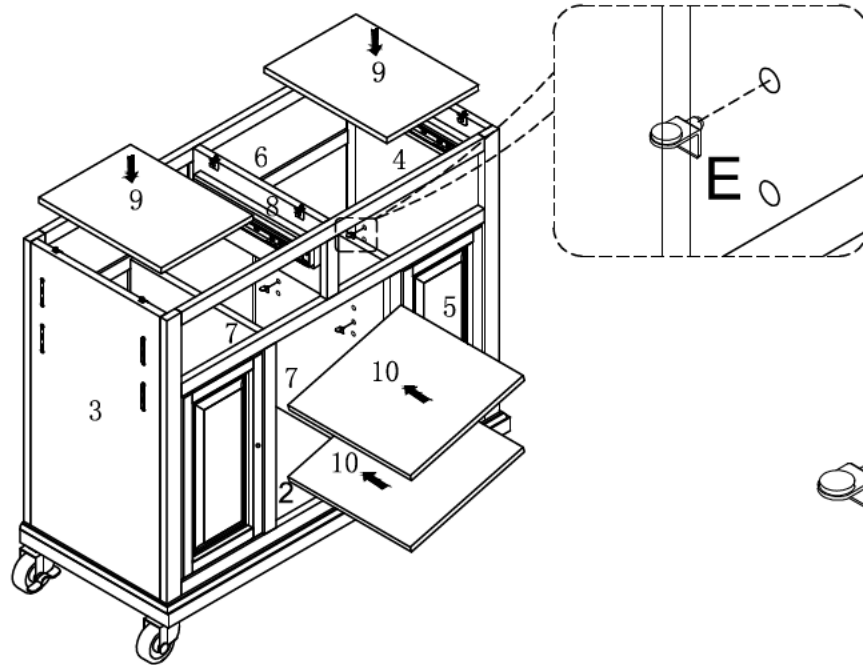
Step 5.



Step 6.

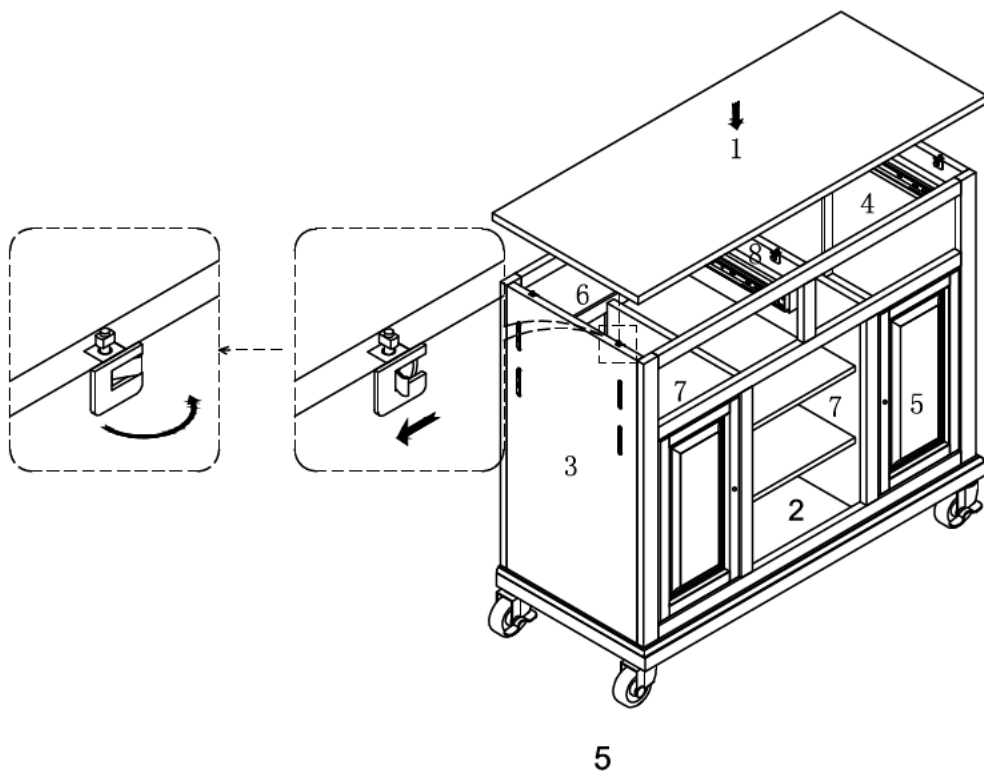


Step 7.

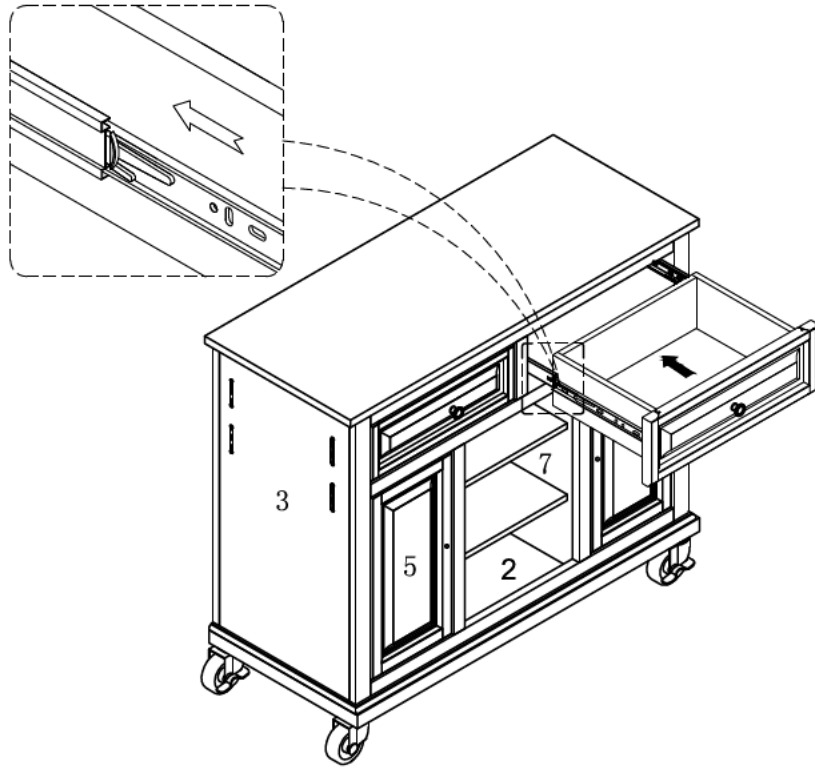


 16PCS

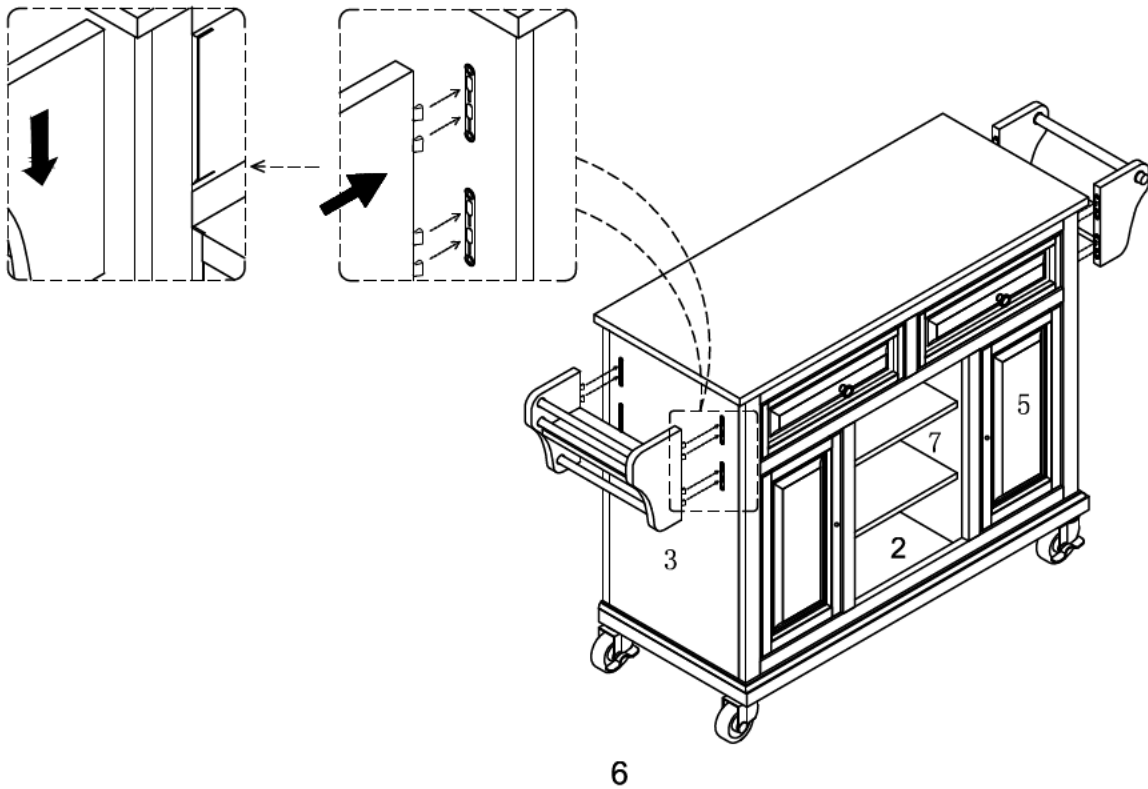
Step 8.



Step 9.



Step 10.



Step 11.

