


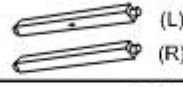
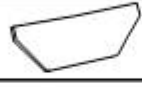



ASSEMBLY INSTRUCTIONS







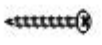
DINING CHAIR



Component List

LABEL		DESCRIPTION	QTY
A		Back frame	1
B		Front leg	1
C		Side stretcher (L/R)	2
D		Side rail (L/R)	2
E		Top rest	1
F		Cushion seat	1

Hardware List

LABEL		DESCRIPTION	QTY
H1		Bolt with Washer M6 x 70mm + S/W M6 + F/W M6 x 13mm	8
H2		Bolt with Washer M6 x 25mm + S/W M6 + F/W M6 x 13mm	4
H3		Allen Key M4 (Ball Shape)	1
H4		L Bracket	4
H5		PH CB SCREW M4 x 12mm	8
H6		Dowel M8 x 25mm	2
H7		PH CB Screw M4 x 32mm	4