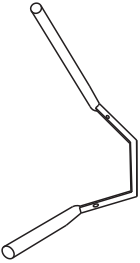

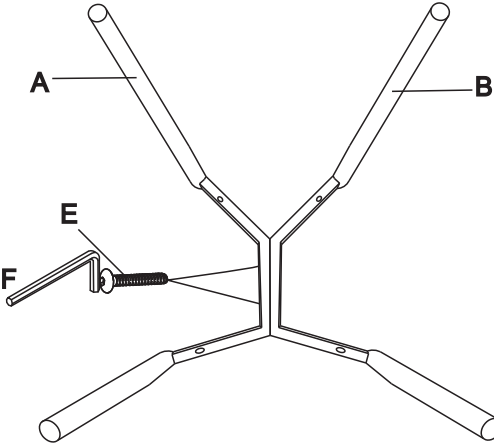
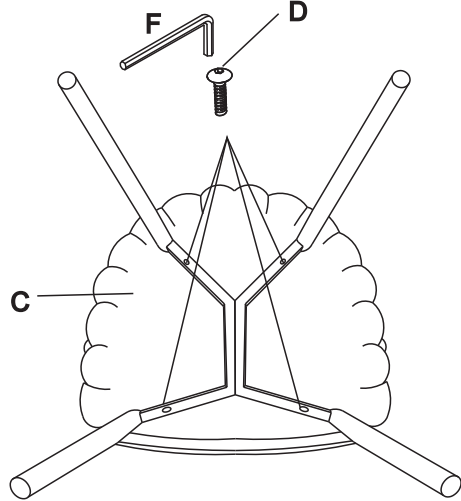
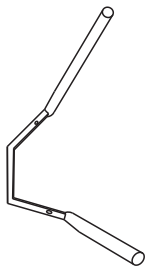
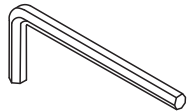
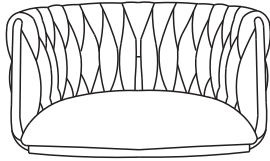
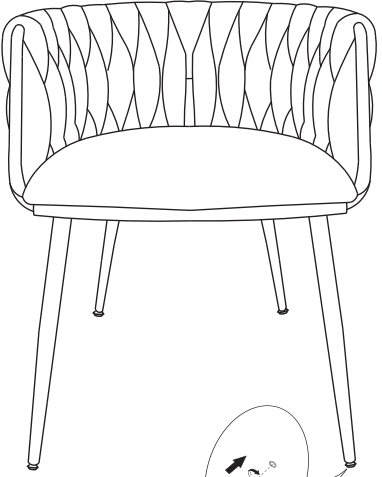



ASSEMBLY INSTRUCTION

SC265-267

<p>Ax1</p> 	<p>Ex2</p>  <p>6x40MM</p>	<p>STEP1</p> 	<p>STEP2</p> 
<p>Bx1</p> 	<p>Fx1</p> 		
<p>Cx1</p> 		<p>STEP3</p>  <p>Adjust 4 legs to fix wobble</p>	
<p>Dx4</p>  <p>6x35MM</p>			