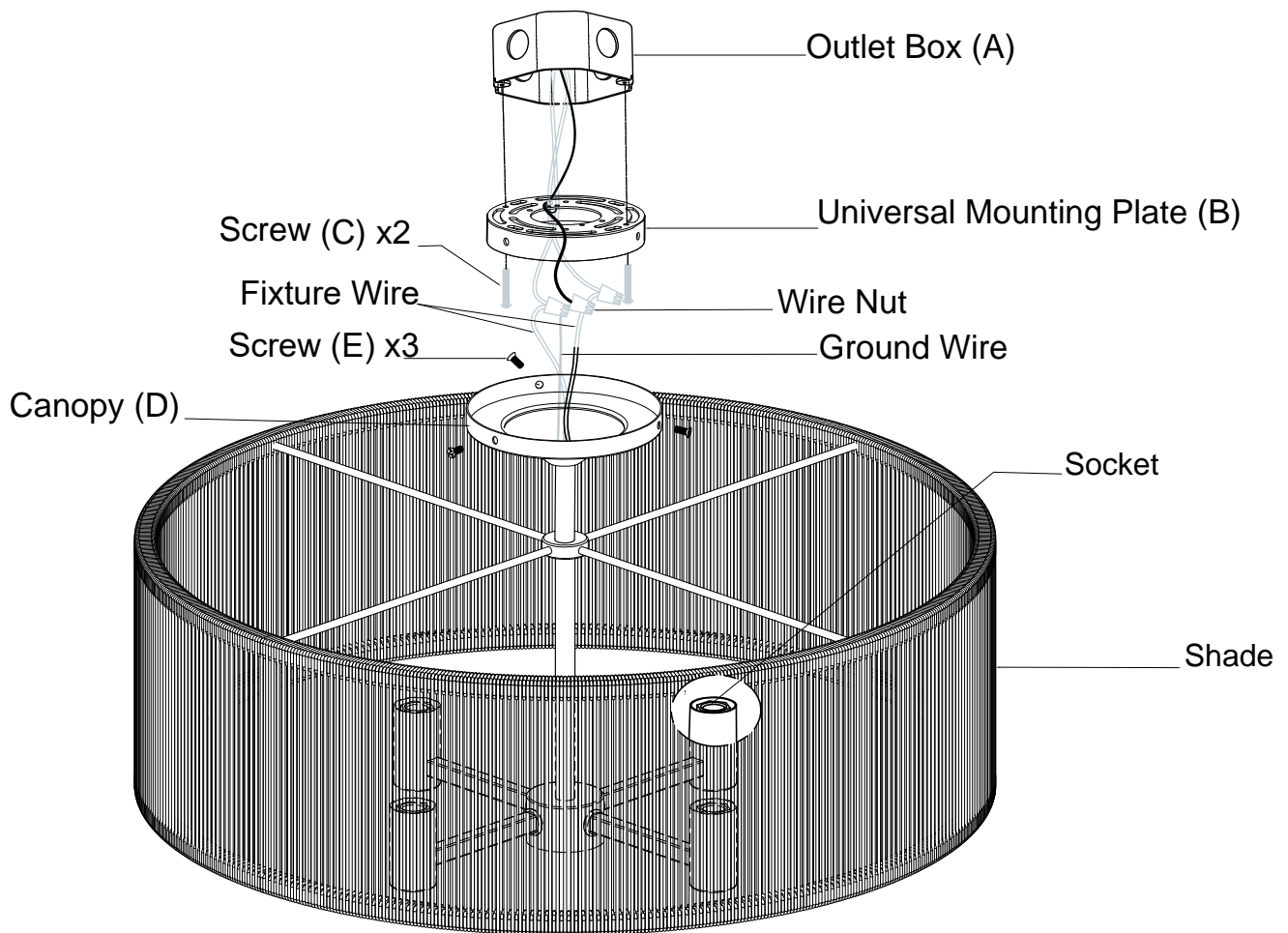




SAVOY
HOUSE

ITEM NO:6-9311-4

6-9312-4



ASSEMBLY INSTRUCTIONS

1. Carefully unpack and identify all parts referring to illustration for parts identification.
2. Turn the power to the installation point OFF.
3. Attach the universal mounting plate (B) to the outlet box (A), securing with screws (C). The side of the mounting plate marked GND must face outward.
4. Connect the white wire from the fixture to the white wire in the outlet box. Connect the black wire from the fixture to the black wire in the outlet box. Connect the ground wire from the fixture to the ground wire in the outlet box by using the wire connector provided.
5. Install the canopy (D) onto the universal mounting plate (B) using the fixture wire screws (E).
6. Install bulbs. (Not included)
7. Refer to the additional installation instructions included with the product for wiring and installation.
8. Restore power to the installation point and retain this sheet for future reference.