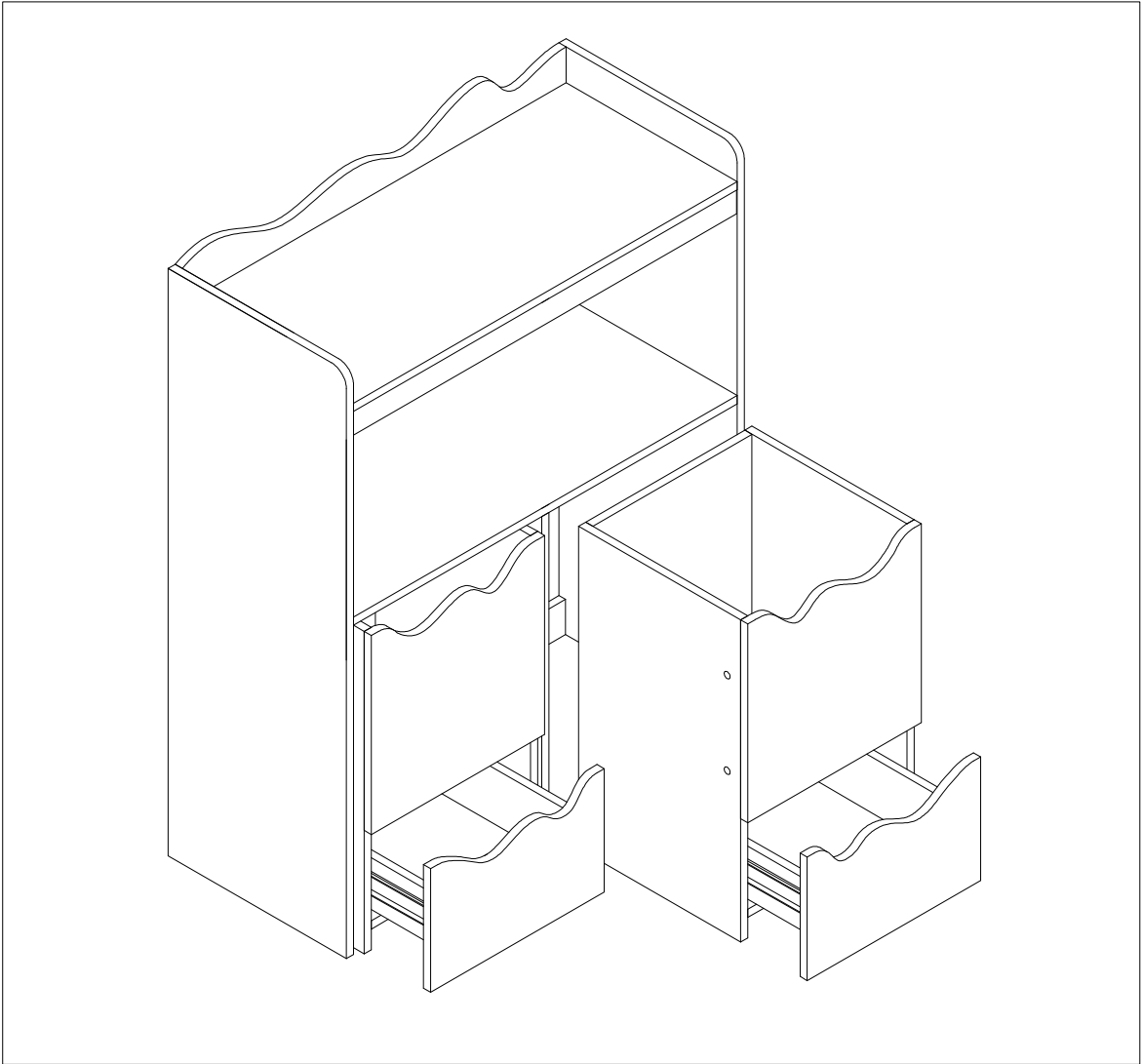


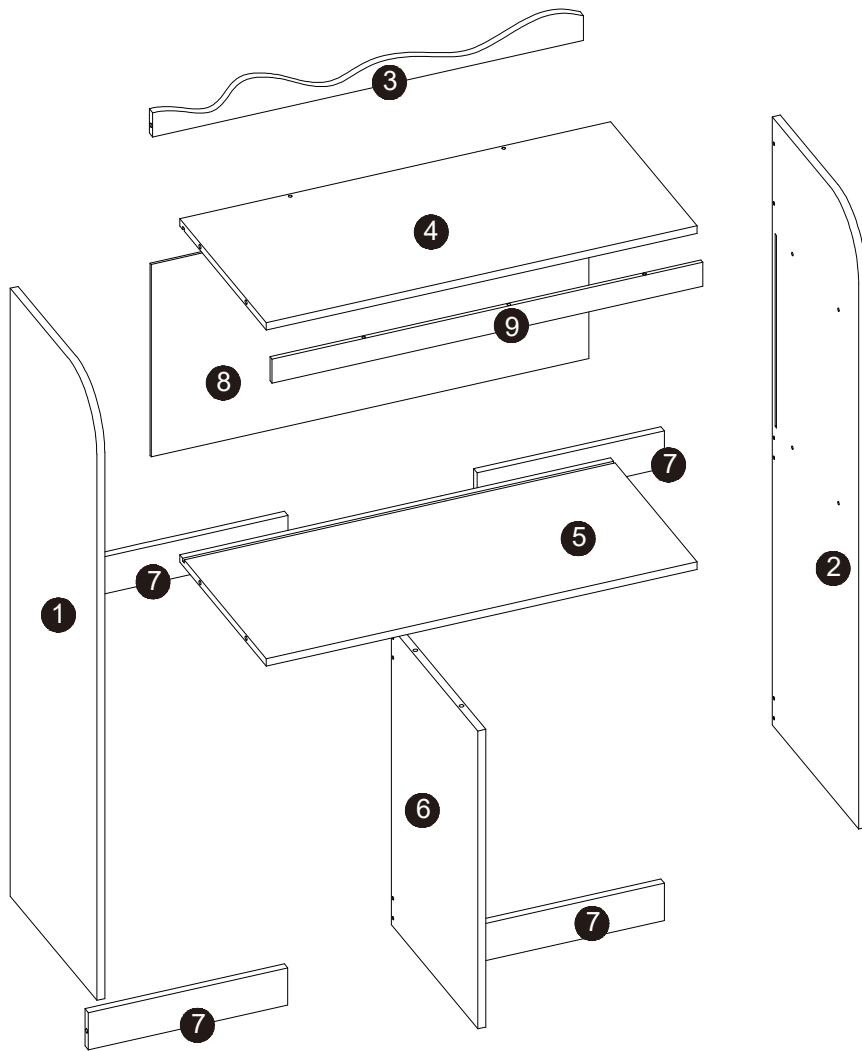
Product Installation Instructions



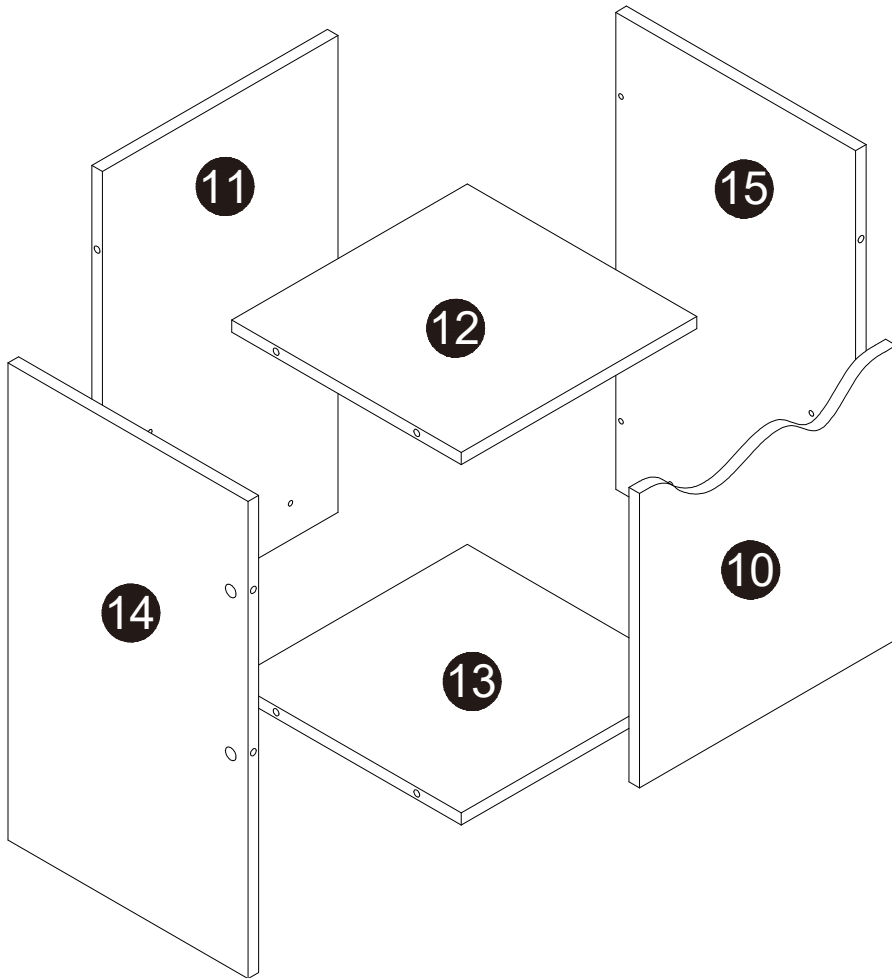
Warm Tips:

The assembly process is both challenging and fun. Please be patient and follow the instructions **STEP BY STEP**. You will feel exactly proud of yourself when you finish!

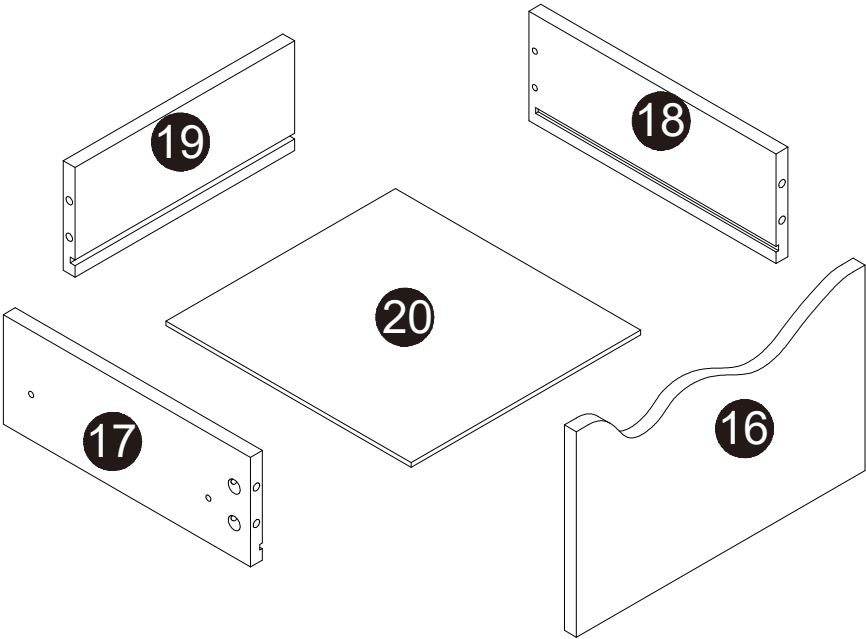
Upper cabinet section



Lower cabinet section



Drawer section



Hardwarelist



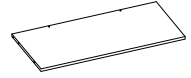
1 X1



2 X1



3 X1



4 X1



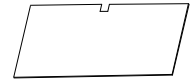
5 X1



6 X1



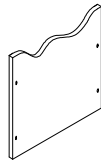
7 X4



8 X1



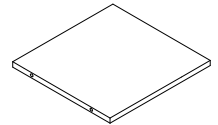
9 X1



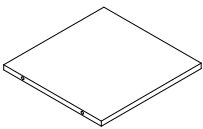
10 X2



11 X2



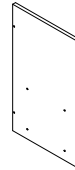
12 X2



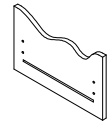
13 X2



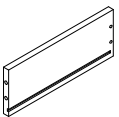
14 X2



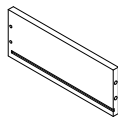
15 X2



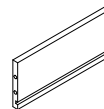
16 X2



17 X2



18 X2


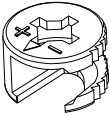

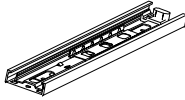

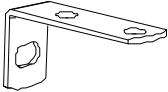

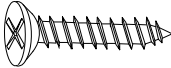
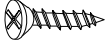
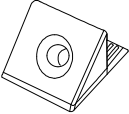

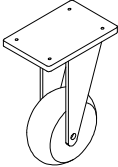
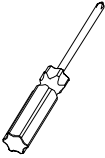


19 X2



20 X2

Parts list

				
A $\Phi 6 \times 28(87+1)$	B $\Phi 12(87+1)$	C ST3*12(48+1)	D X2	E $\Phi 20(87+1)$
				
F X1	G M5*35(1)	H ST4*35(1)	I ST4*12(2)	J X(8+1)
				
K ST3*16(8+1)	L X8	X1		

Note: The number after "+" sign indicates the extra piece(s).

Warnings

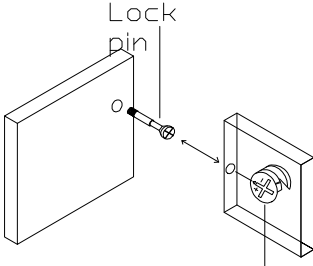
ATTENTION:

FUNCTION OF KLIX CAM

1/2 RIGHT TURN FOR LOCKING

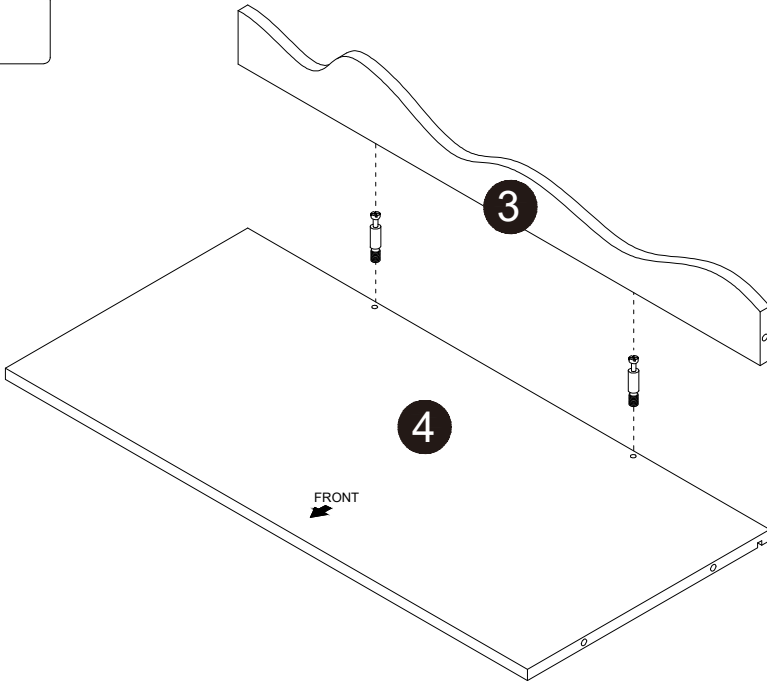
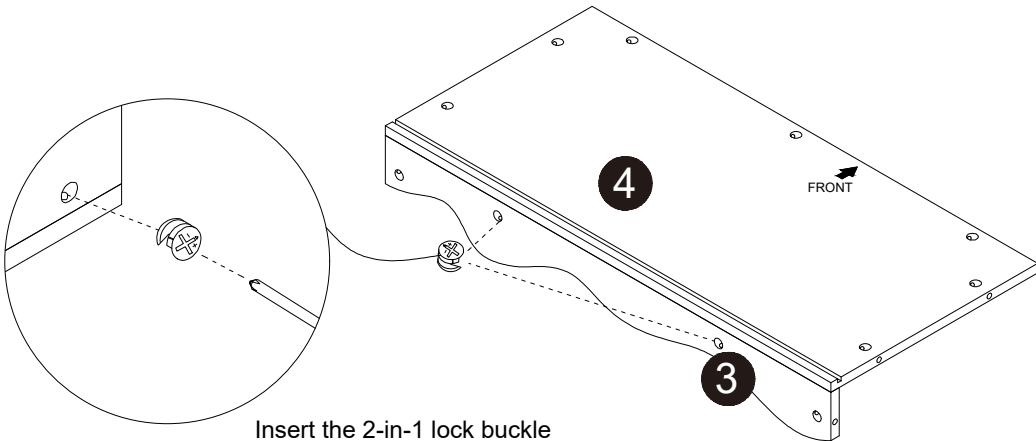
MAKE SURE THE ARROW OVER AGAINST THE TOPSIDE OF CAM LOCK PIN BEFORE INSERTING INTO THE PANEL'S HOLE

IMPORTANT!
After 180° right turn, if there is a gap between the boards, please check whether the cam lock pin is tightened enough.

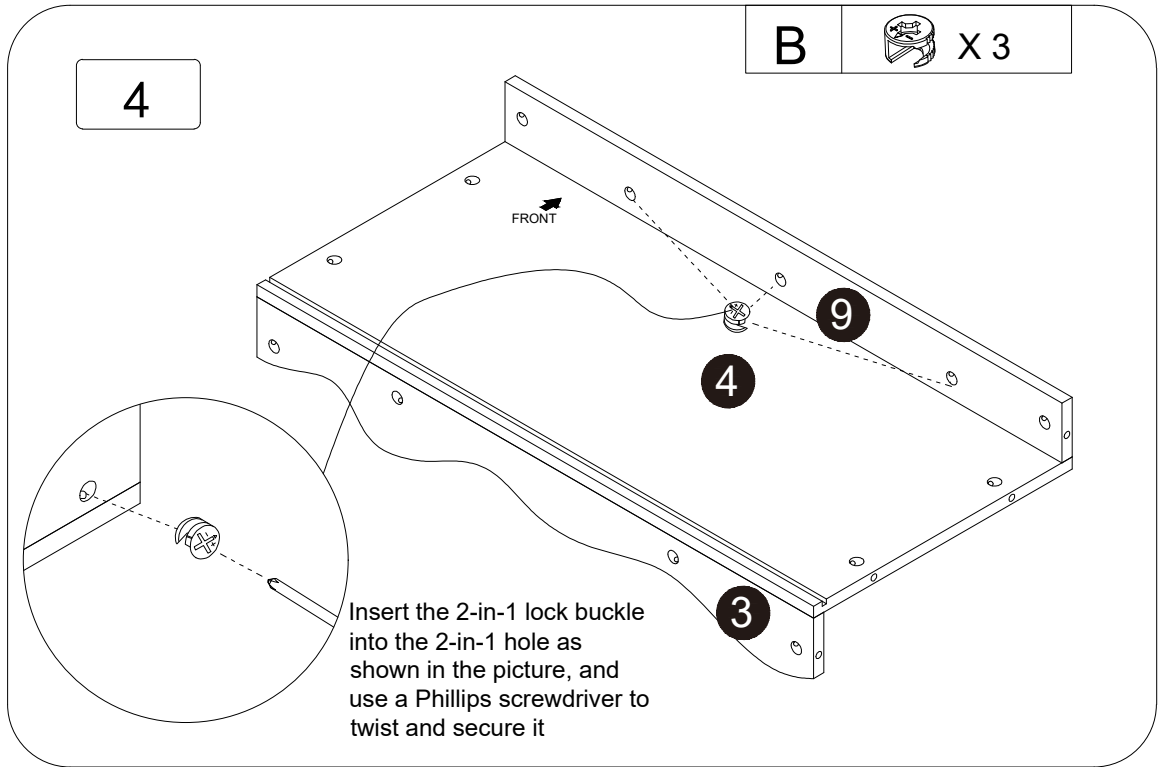
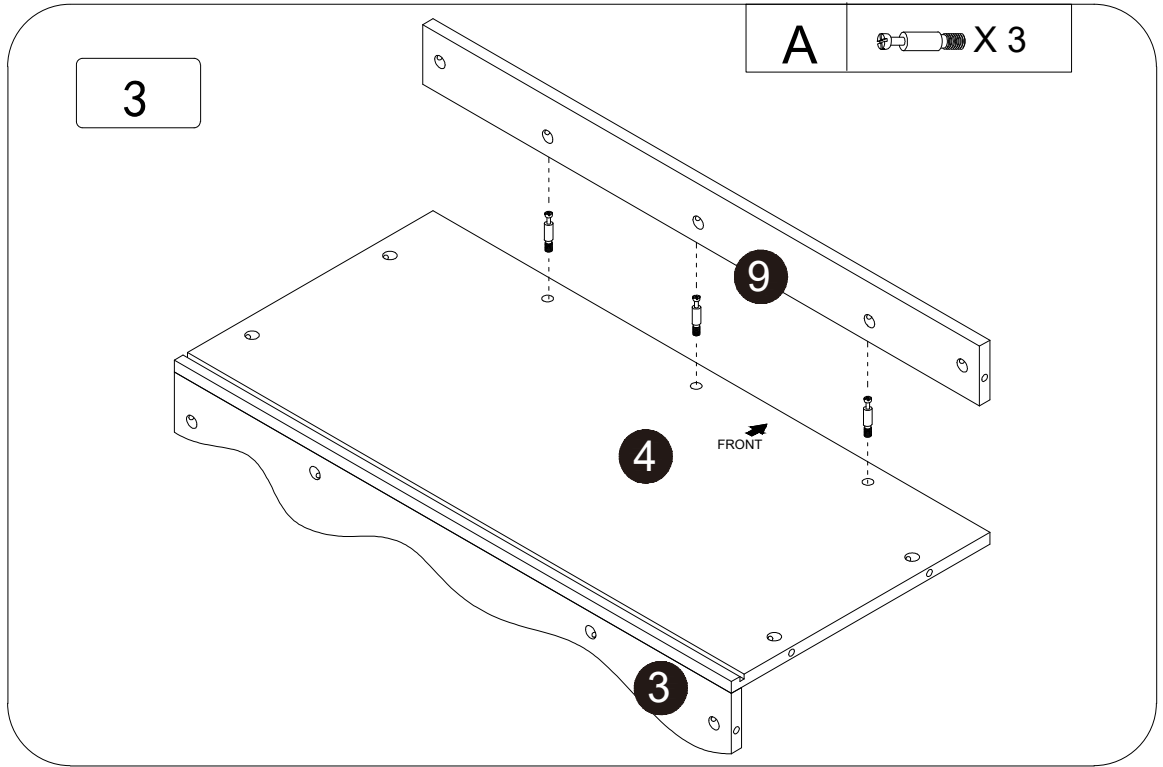


Lock pin

Klix cam

A X 2**1****B** X 2**2**

Insert the 2-in-1 lock buckle into the 2-in-1 hole as shown in the picture, and use a Phillips screwdriver to twist and secure it

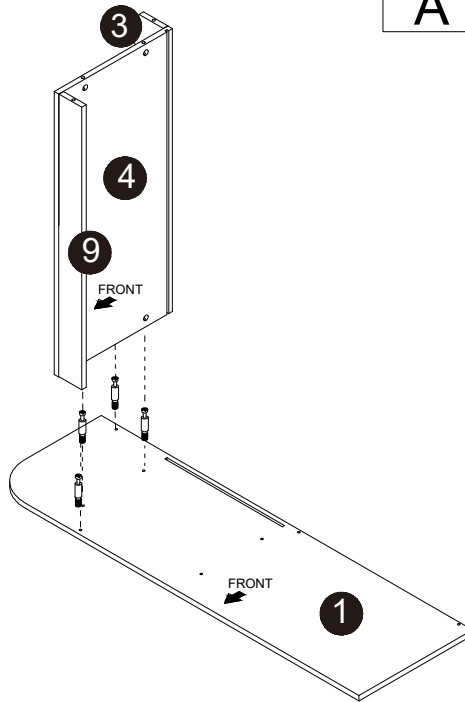


5

A



X 4

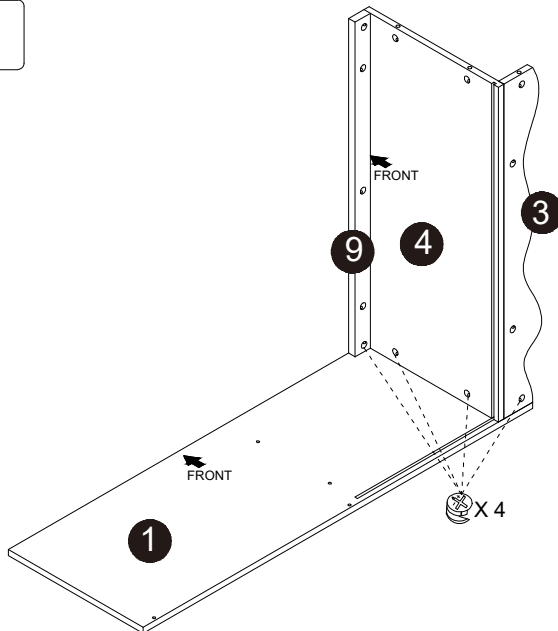


6

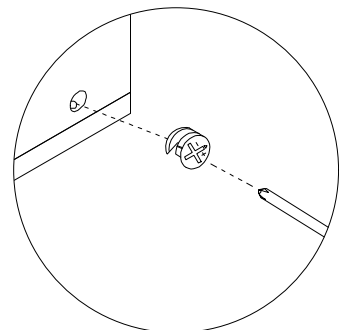
B



X 4



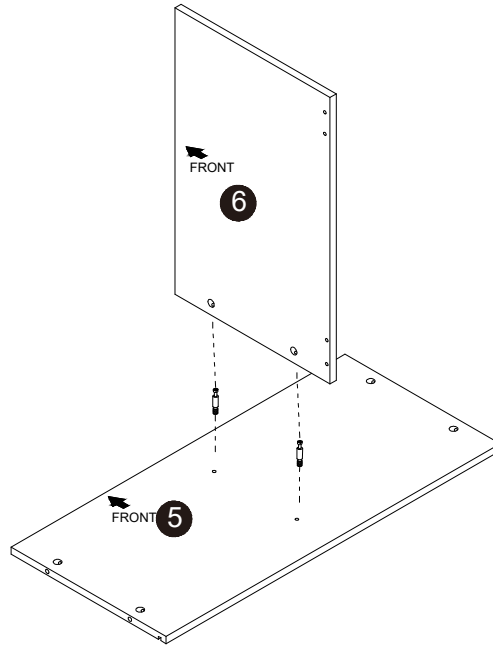
Insert the 2-in-1 lock buckle into the 2-in-1 hole as shown in the picture, and use a Phillips screwdriver to twist and secure it



7

A

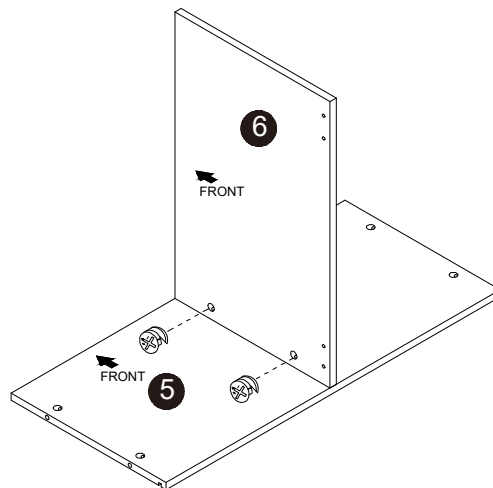
 X 2



8

B

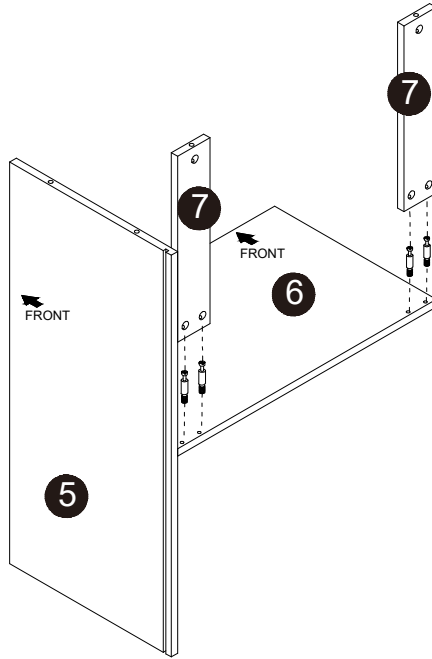
 X 2



9

A

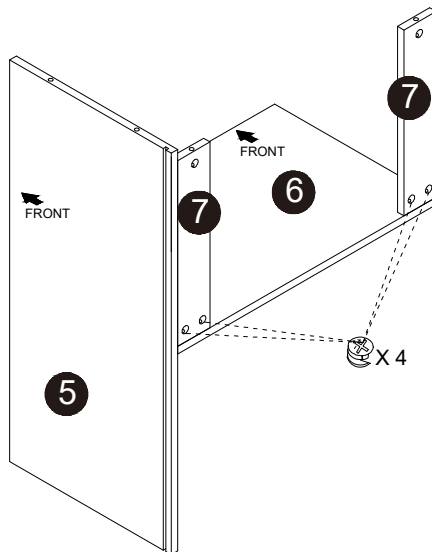
 X 4



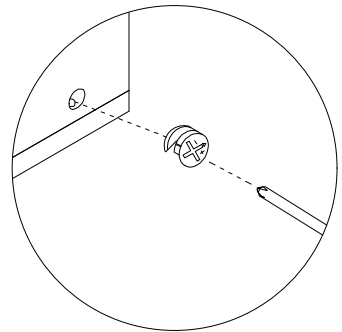
10

B

 X 4



Insert the 2-in-1 lock buckle into the 2-in-1 hole as shown in the picture, and use a Phillips screwdriver to twist and secure it

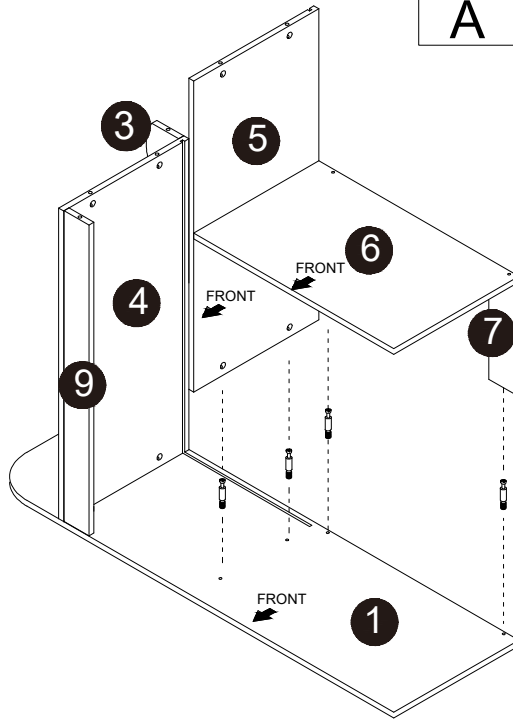


11

A



X 4

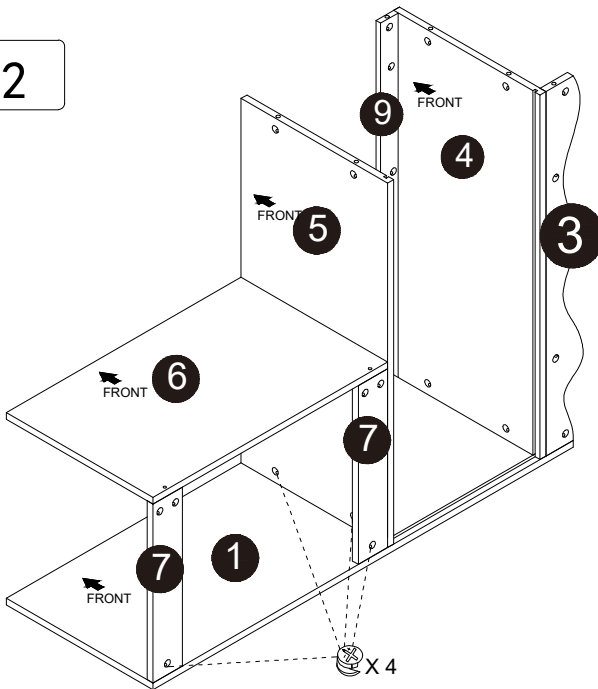


12

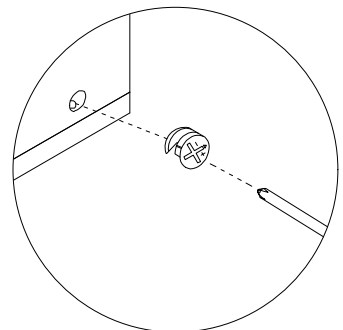
B



X 4



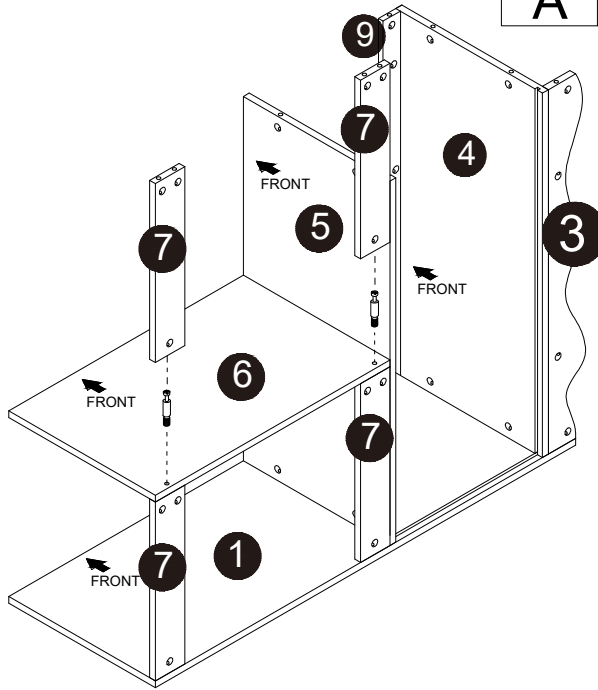
Insert the 2-in-1 lock buckle into the 2-in-1 hole as shown in the picture, and use a Phillips screwdriver to twist and secure it



13

A

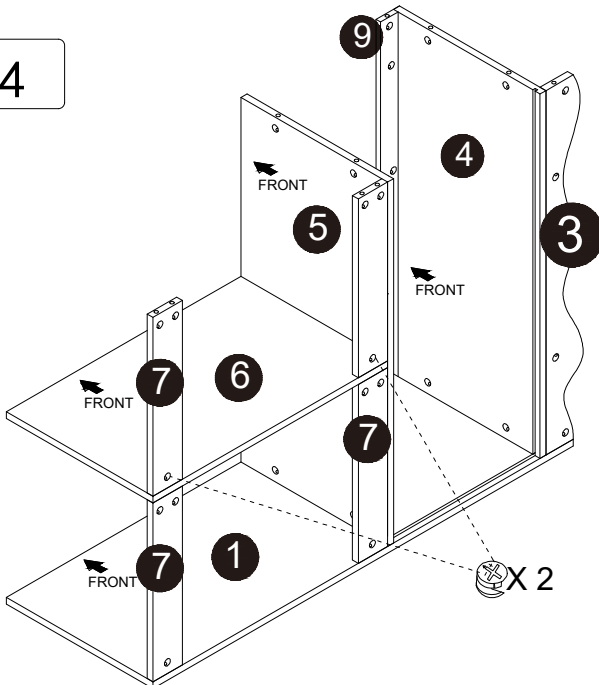
 X 2



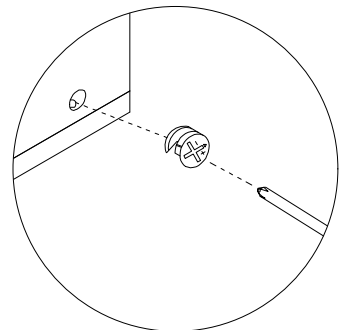
14

B

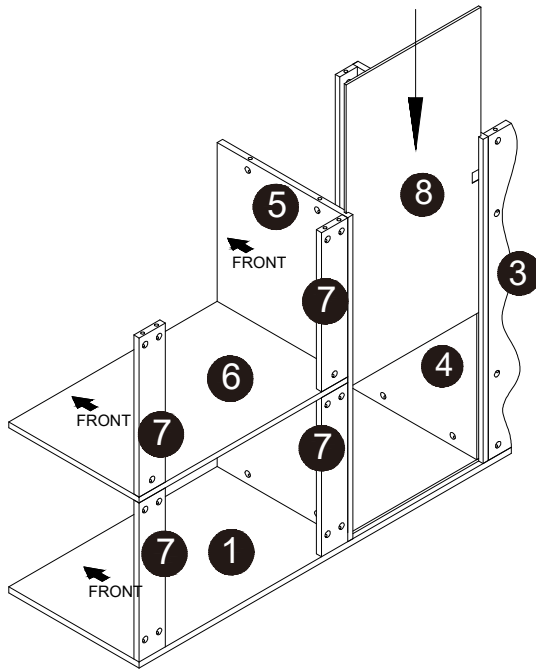
 X 4



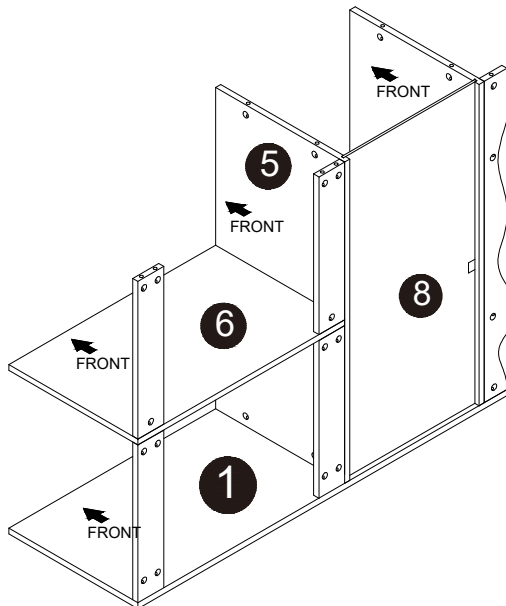
Insert the 2-in-1 lock buckle into the 2-in-1 hole as shown in the picture, and use a Phillips screwdriver to twist and secure it



15



16

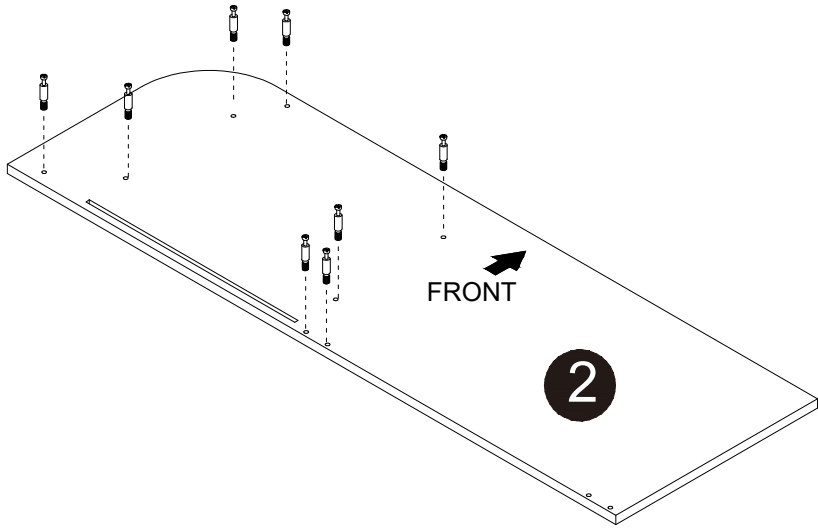


17

A



X 10

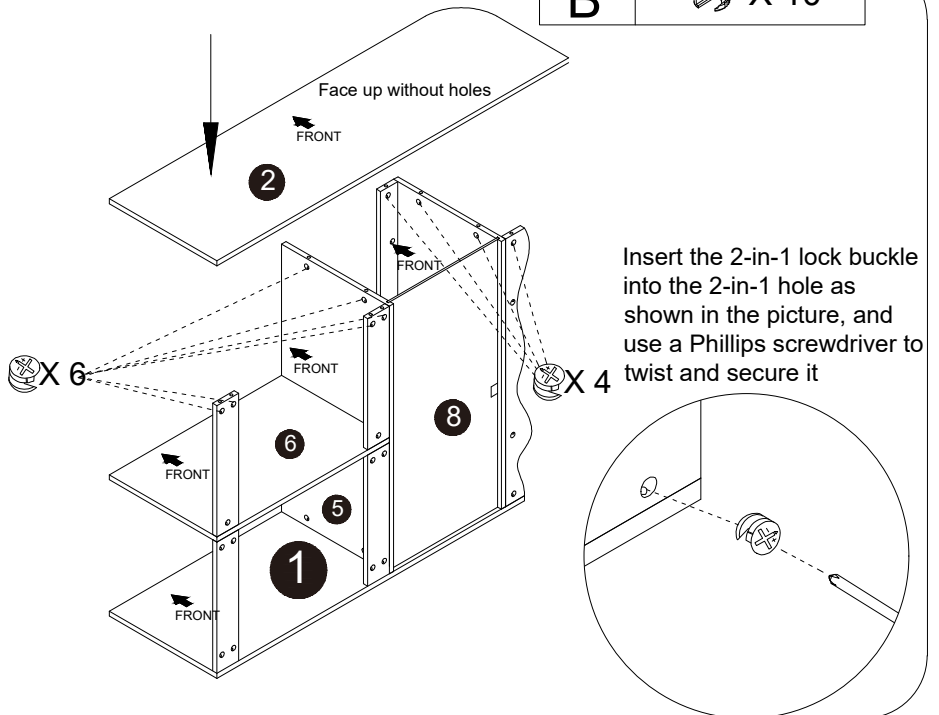


18

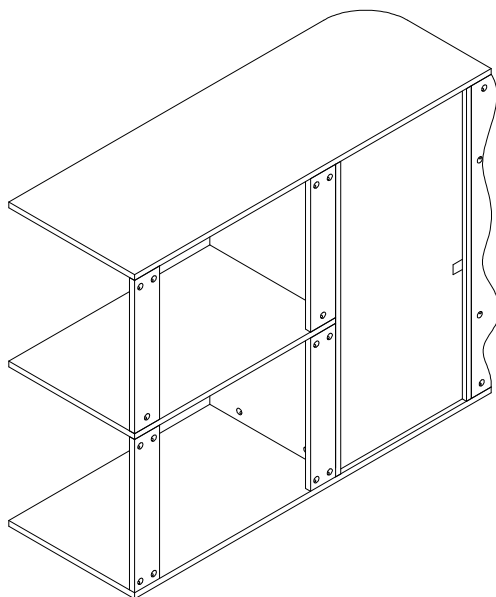
B



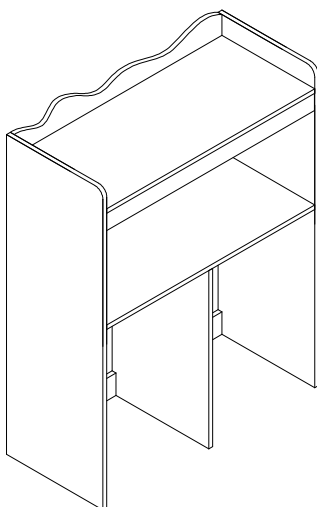
X 10



19

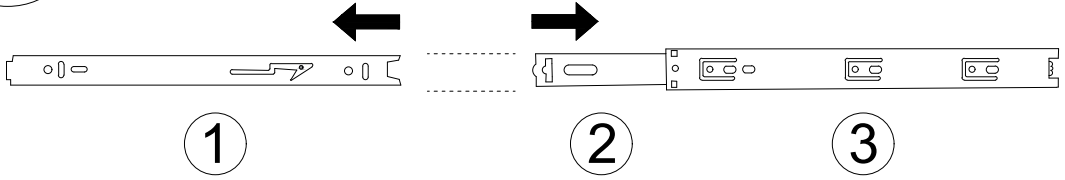


20



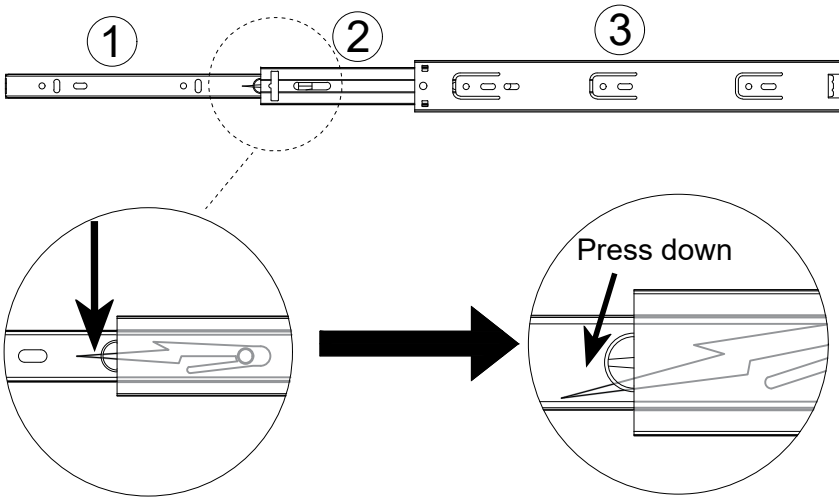
D

Drawer rail breakdown diagram



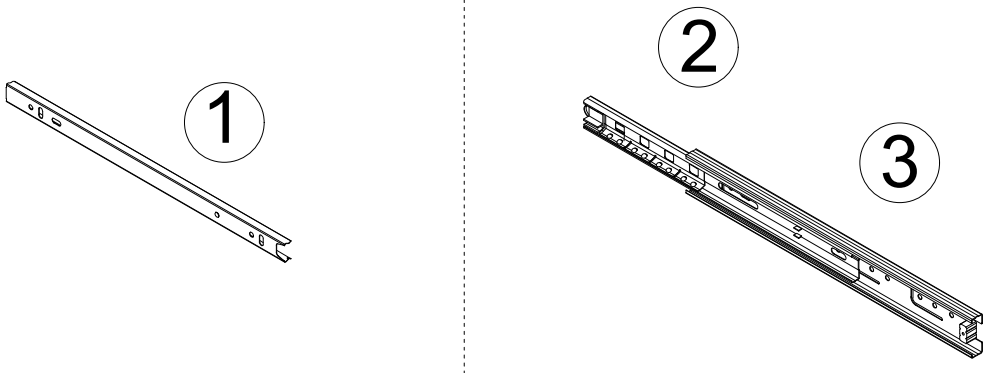
① Dismantle the schematic diagram

Step 1 : Pull the rails apart



Step 2 : Press the nylon button and pull out ①.

Drawer rail decomposition completed schematic diagram

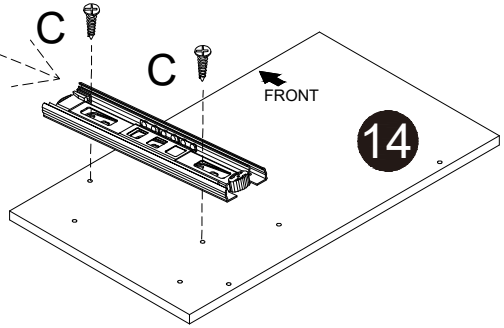
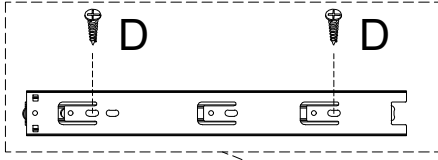


21

C



D

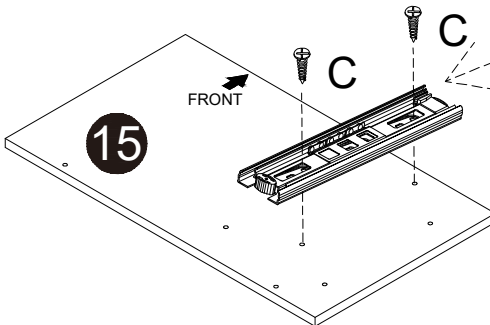
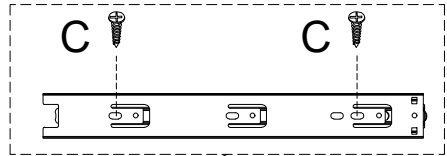


22

C



D

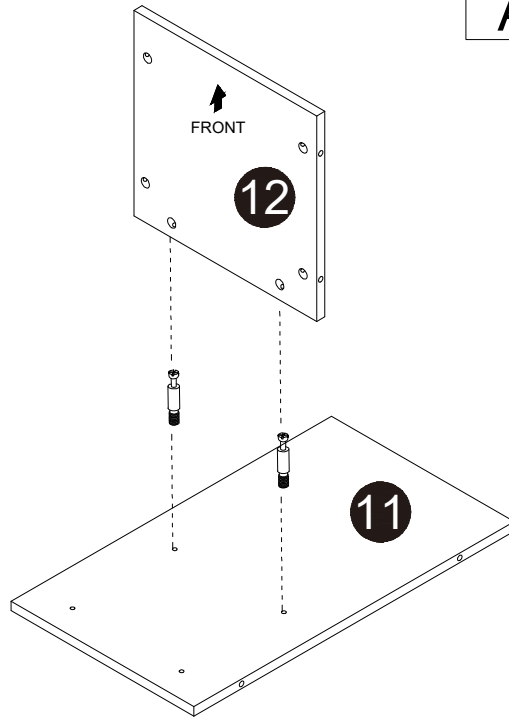


23

A



X 2

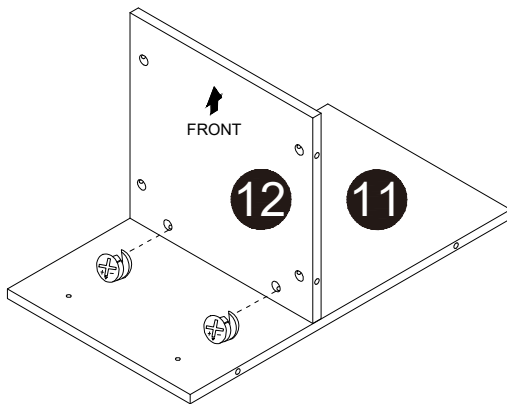


24

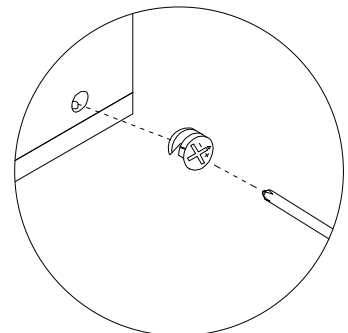
B



X 2



Insert the 2-in-1 lock buckle into the 2-in-1 hole as shown in the picture, and use a Phillips screwdriver to twist and secure it

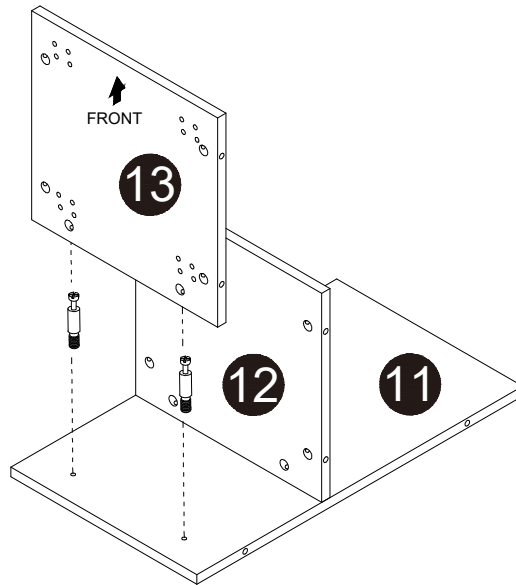


25

A



X 2

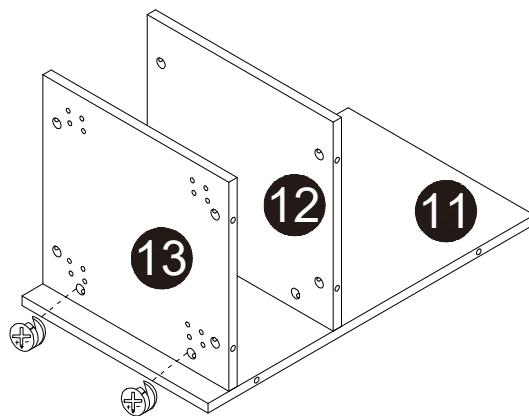


26

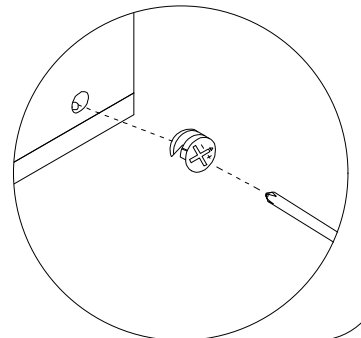
B



X 2



Insert the 2-in-1 lock buckle into the 2-in-1 hole as shown in the picture, and use a Phillips screwdriver to twist and secure it

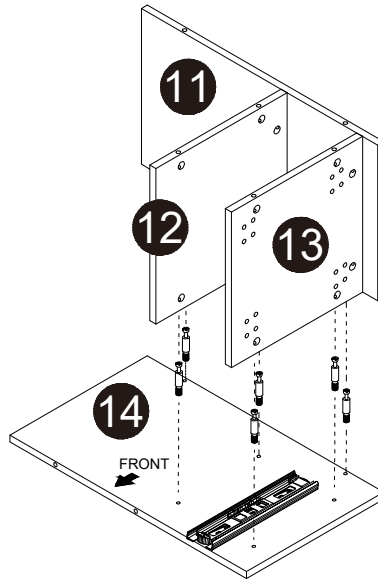


27

A



X 6

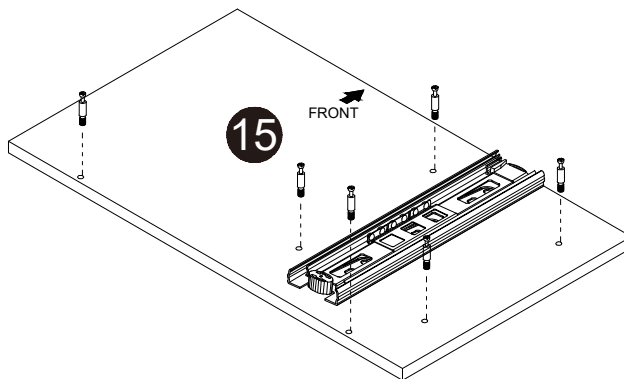


28

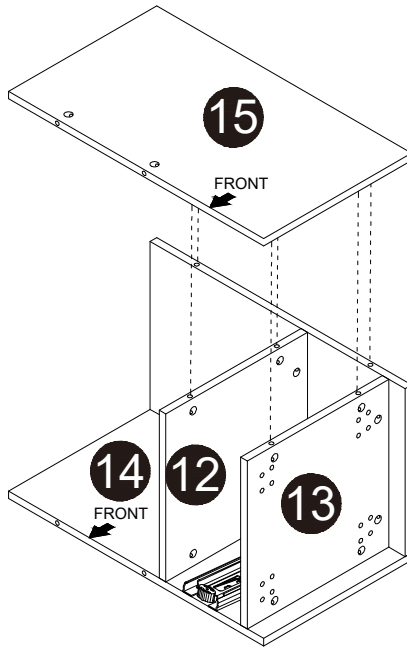
A



X 6



29

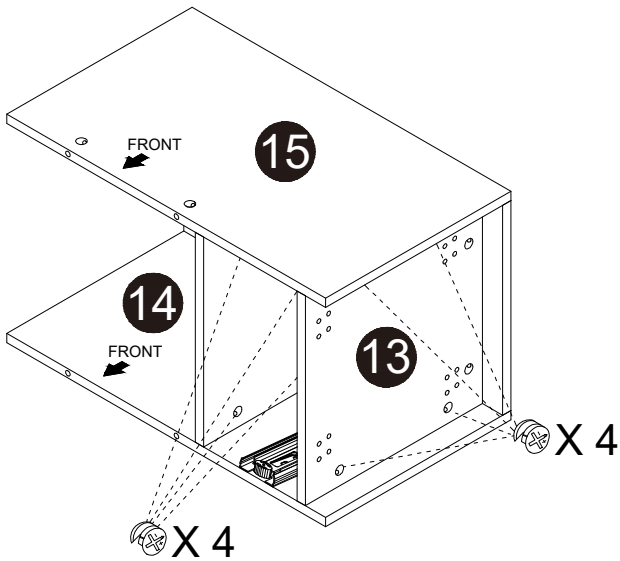


30

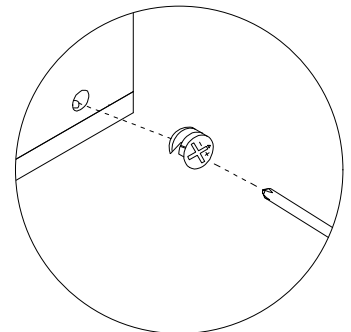
B



X 8



Insert the 2-in-1 lock buckle into the 2-in-1 hole as shown in the picture, and use a Phillips screwdriver to twist and secure it

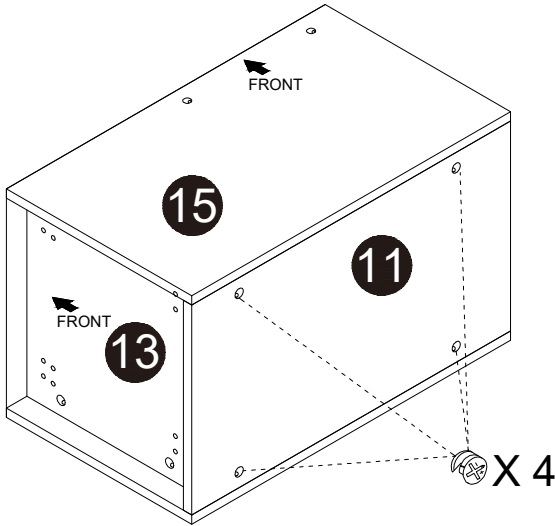


31

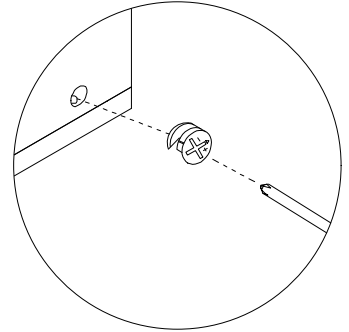
B



X 4



Insert the 2-in-1 lock buckle into the 2-in-1 hole as shown in the picture, and use a Phillips screwdriver to twist and secure it

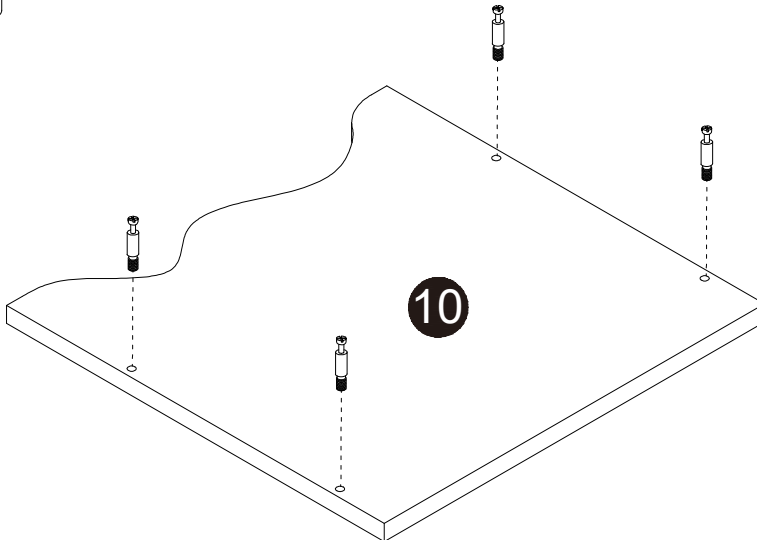


32

A



X 4



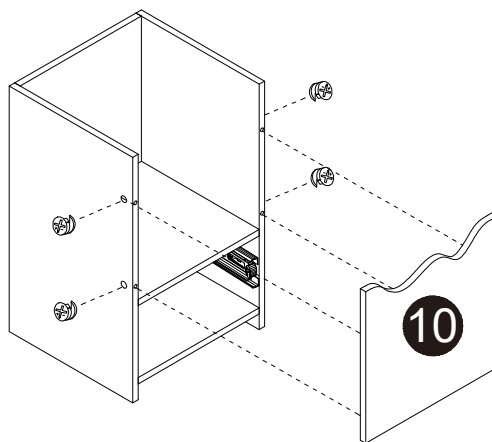
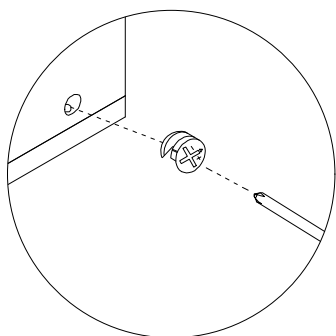
33

B



X 4

Insert the 2-in-1 lock buckle into the 2-in-1 hole as shown in the picture, and use a Phillips screwdriver to twist and secure it



34

C

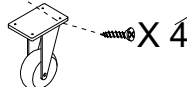
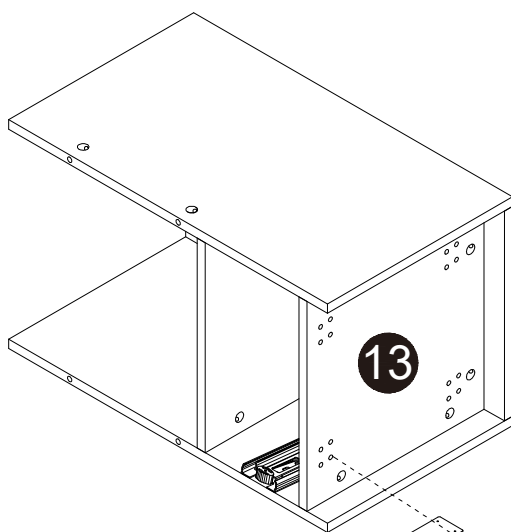


X 16

L

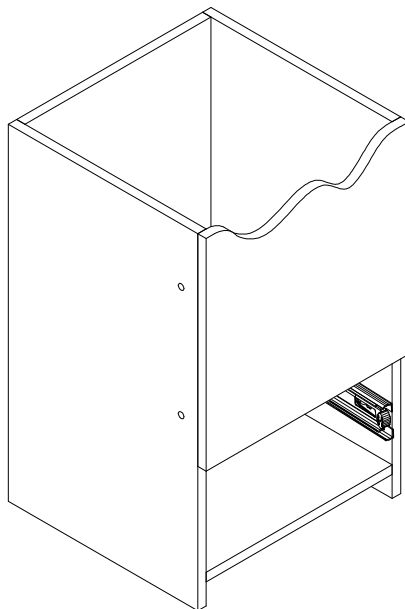


X 4



The universal wheel (D) is installed at the bottom of 13 # aligned with the lead hole, and then fixed with a C screw

35

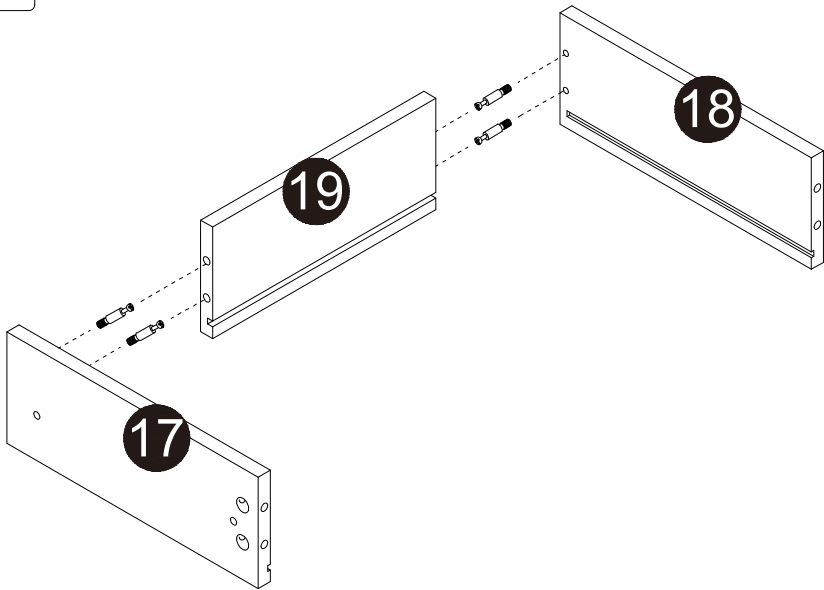


Repeat steps 21 to 34 to make the second lower cabinet section

36

A

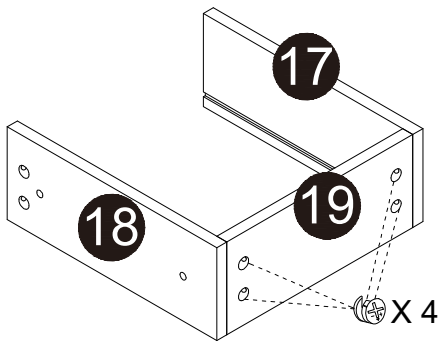
 X 4



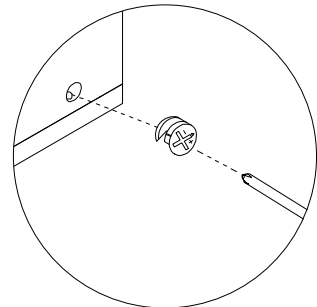
37

B

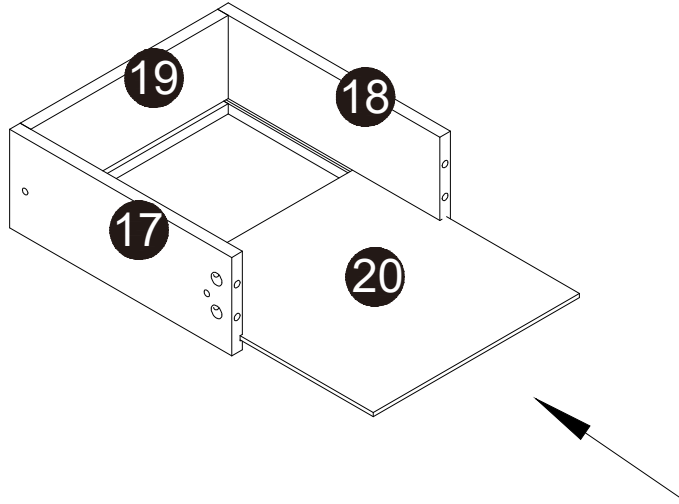
 X 4



Insert the 2-in-1 lock buckle into the 2-in-1 hole as shown in the picture, and use a Phillips screwdriver to twist and secure it



38



39

A

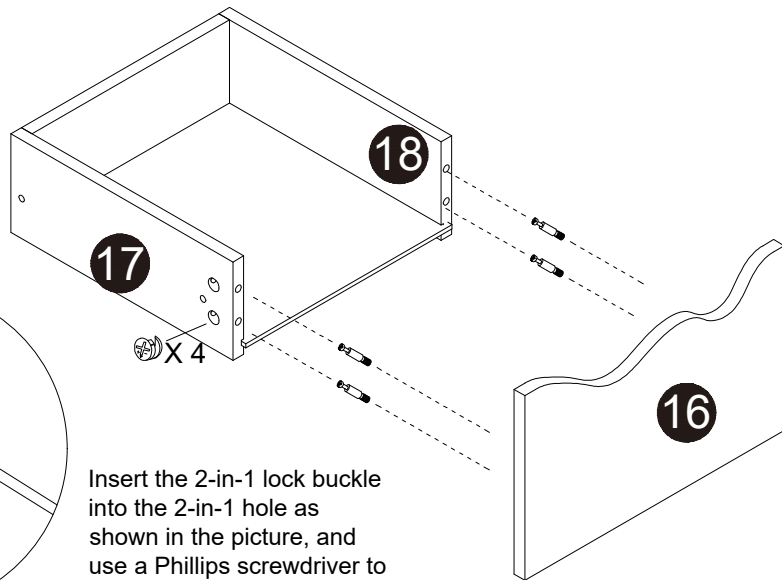


X 4

B



X 4



Insert the 2-in-1 lock buckle into the 2-in-1 hole as shown in the picture, and use a Phillips screwdriver to twist and secure it

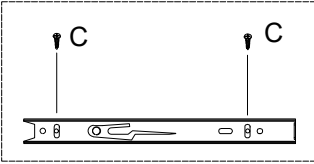
40

C

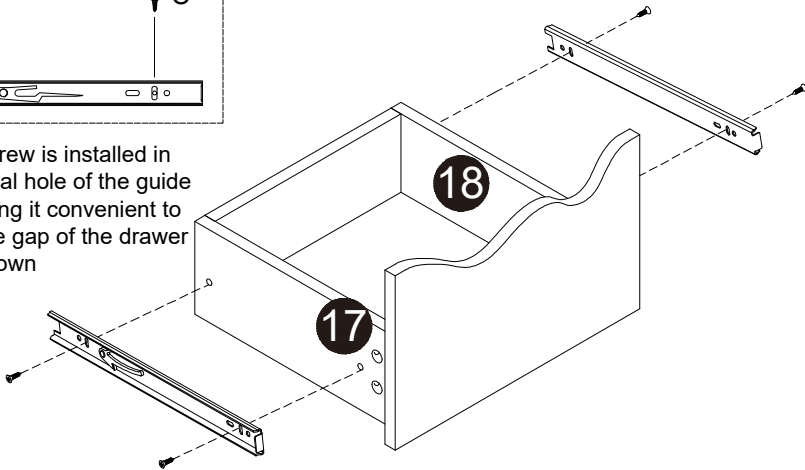
 X 4

D

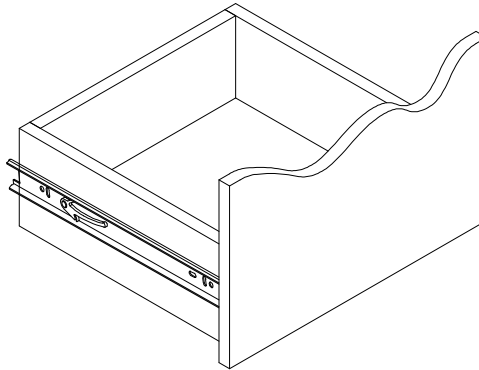
 X 2



The C screw is installed in the vertical hole of the guide rail, making it convenient to adjust the gap of the drawer up and down

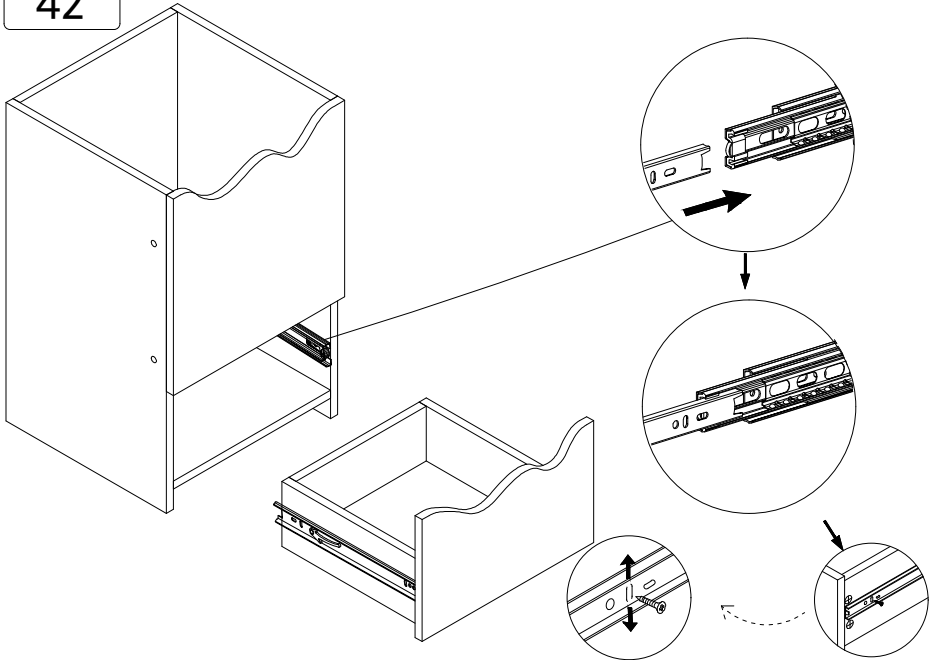


41



Repeat steps 36 to 40 to create the second drawer section

42




If a large gap is found after installing the drawer the slide rail can be moved up and down to adjust the gap

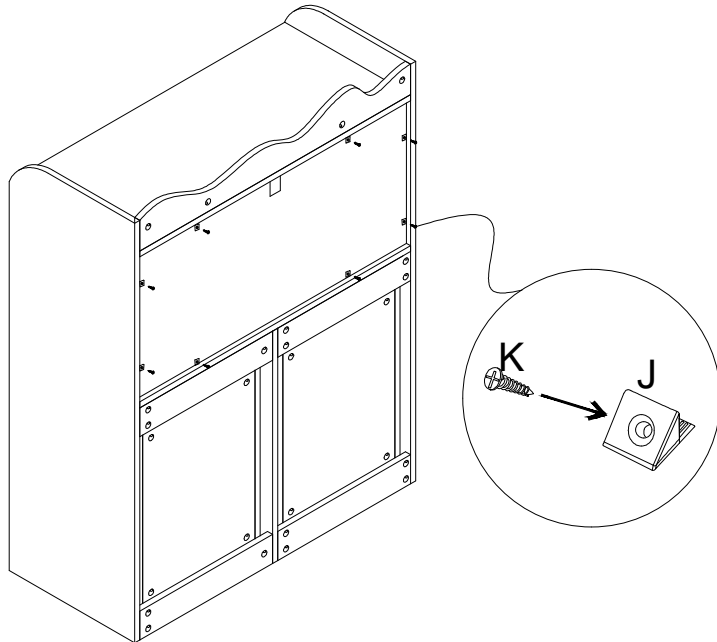
43

J

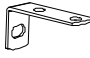

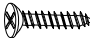

 X 8

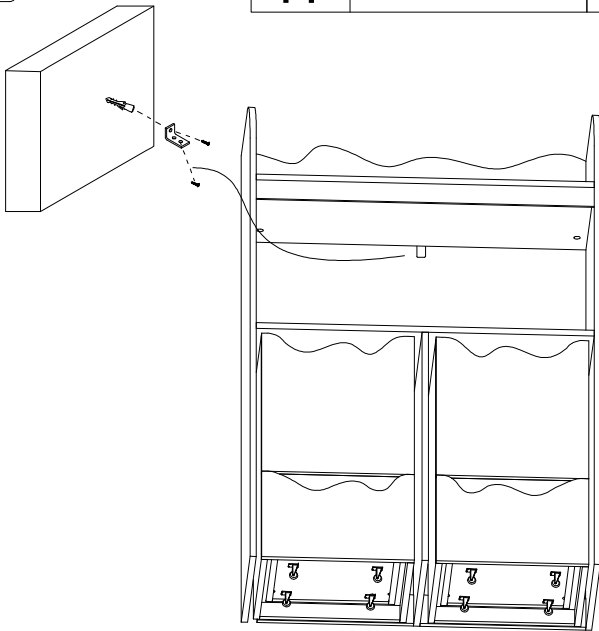
K

 X 8



44

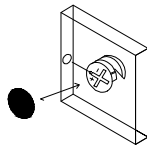
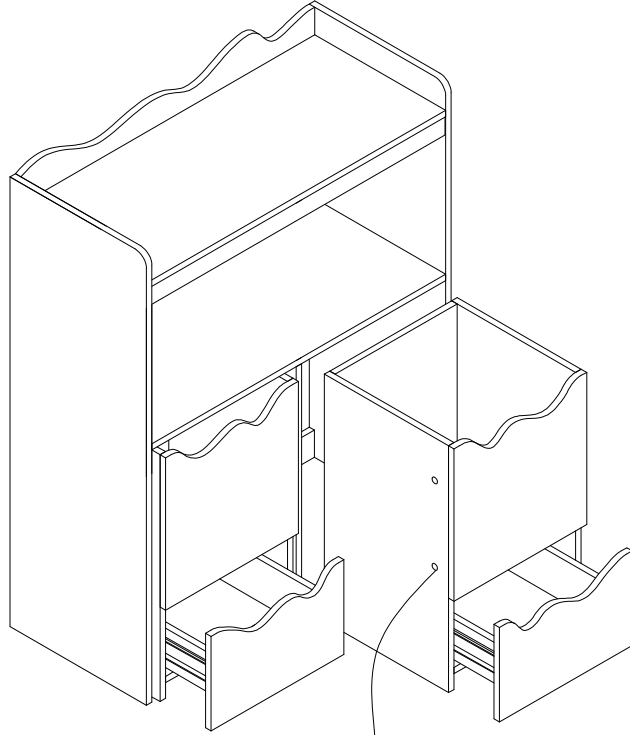
F	 X 1	G	 X 1
H	 X 1	I	 X 1



E

● X 87

45



Cover the 2-in-1 hole with a E sticker

WARRANTY CARD

Your warranty includes

- **30 Days Money Back Guaranty**

Within the first 30 days of your purchase, you are allowed to return your product for a full refund.

- **30 Days to 3 Months(6 Months)**

We will replace the defective unit due to manufacturer fault with a new one. (You will receive extra 3 Months warranty if you register on our website.)

- **3 Months to 24 Months**

Within 24 Months, we will provide timely and effective online after-sales service after your purchase.

How to return your Products

- We will issue you RMA # and return address for your return.
- Please fill out RMA info, tear off this page and leave it inside your return package.
- We will issue replace / return after receiving your return.

Return product details

To get your returns processed as quickly as possible, please fill this form and include it in your return package.

Purchase Name	
Order Number	
Date of Purchase	
Your Email Address	
Where did you buy it	

MADE IN CHINA

