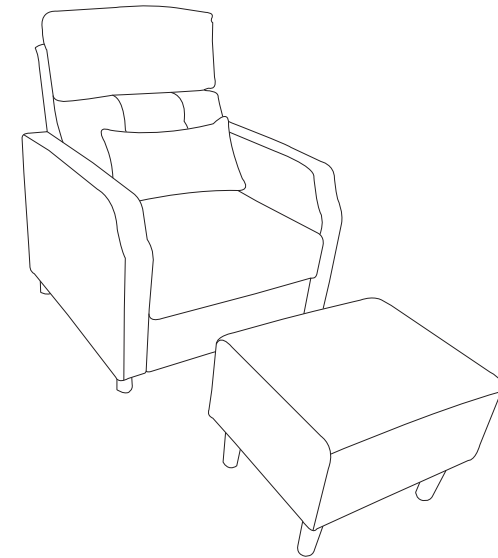


# WARRANTY

We strive to offer high-quality products, and we also try our best to satisfy each and every customer that orders from us with product or service as needed. We provide 30 days warranty starting from the time you receive the item. Each customer must provide a record of their order such as the order number, or item receipt for any items that are out of the warranty period you may also still receive replacement parts by purchasing them with our company if they are available.



---

## NOTE:

This brochure contains IMPORTANT safety info. Please read and keep for future reference.

---

# MAINTAINANCE AND WARNING

- Keep furniture away from heat.
- Do not clean furniture with harsh cleansers or polish. Do not use detergents, Solvents, abrasives, spray packs or leather cleaner. Use non-color mild soap with warm water clean spills(Mix 1:10 soap to water)
- Do not place furniture under direct sunlight, material will possibly fade over time.
- Do not use on site dry Cleaning machine.
- Children should not climb or jump on the furniture.
- Do not write on furniture without a padded barrier to protect the surface.
- To obtain the longest lifespan of your outdoor products, avoid exposure to rain or snow, and direct sunshine for long time. Whenever possible cover the product and/or place under patio or awnings.
- Not for commercial use, For residential use only.

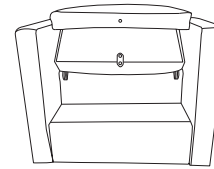


Weight Limitation

**250LBS**

# PARTS LIST

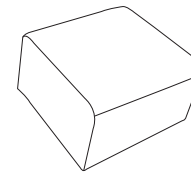
A\*1



B\*4-3 INCH



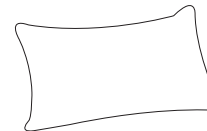
C\*1



D\*4-6.3 INCH



E\*1



Estimated Duration Of Assembly

**5-10 MINUTES**

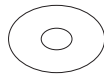
## HARDWARE LIST

E\*1



M6×50MM

F\*8



G\*1



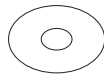
## SPARE PARTS

E\*1

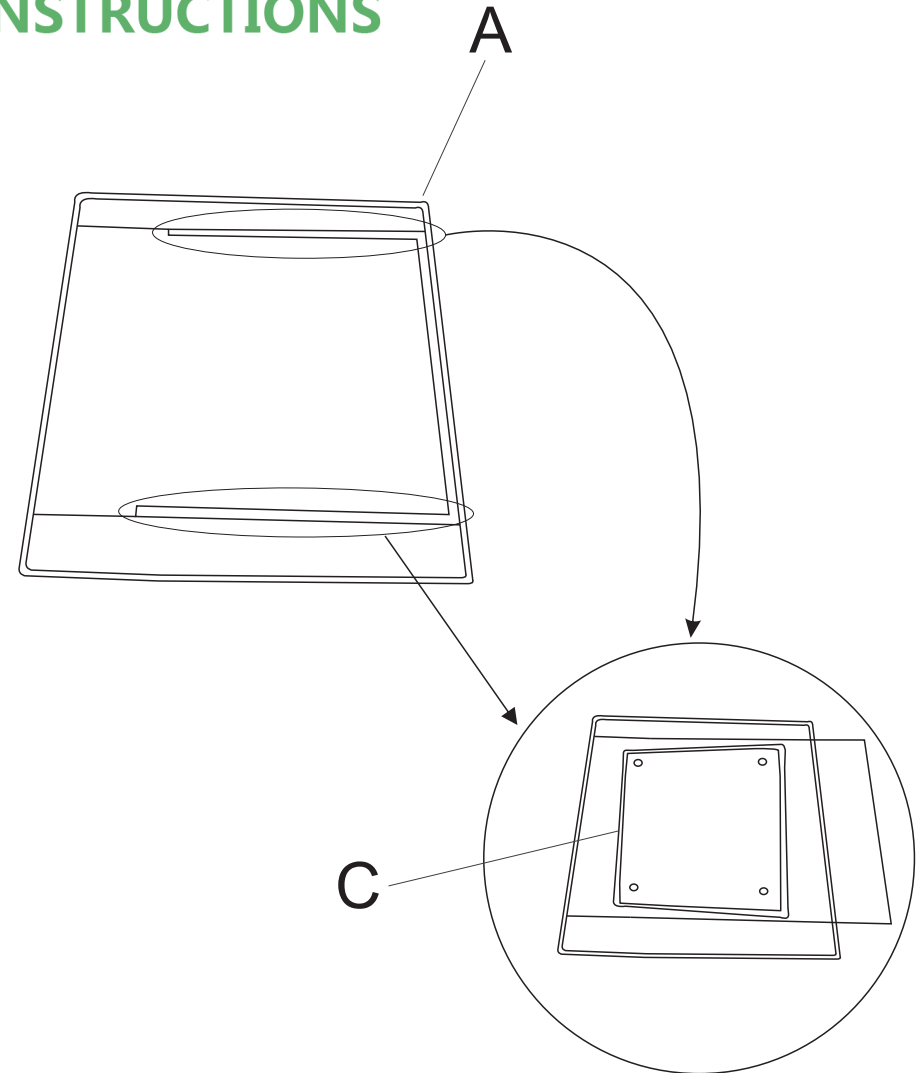


M6×50MM

F\*1

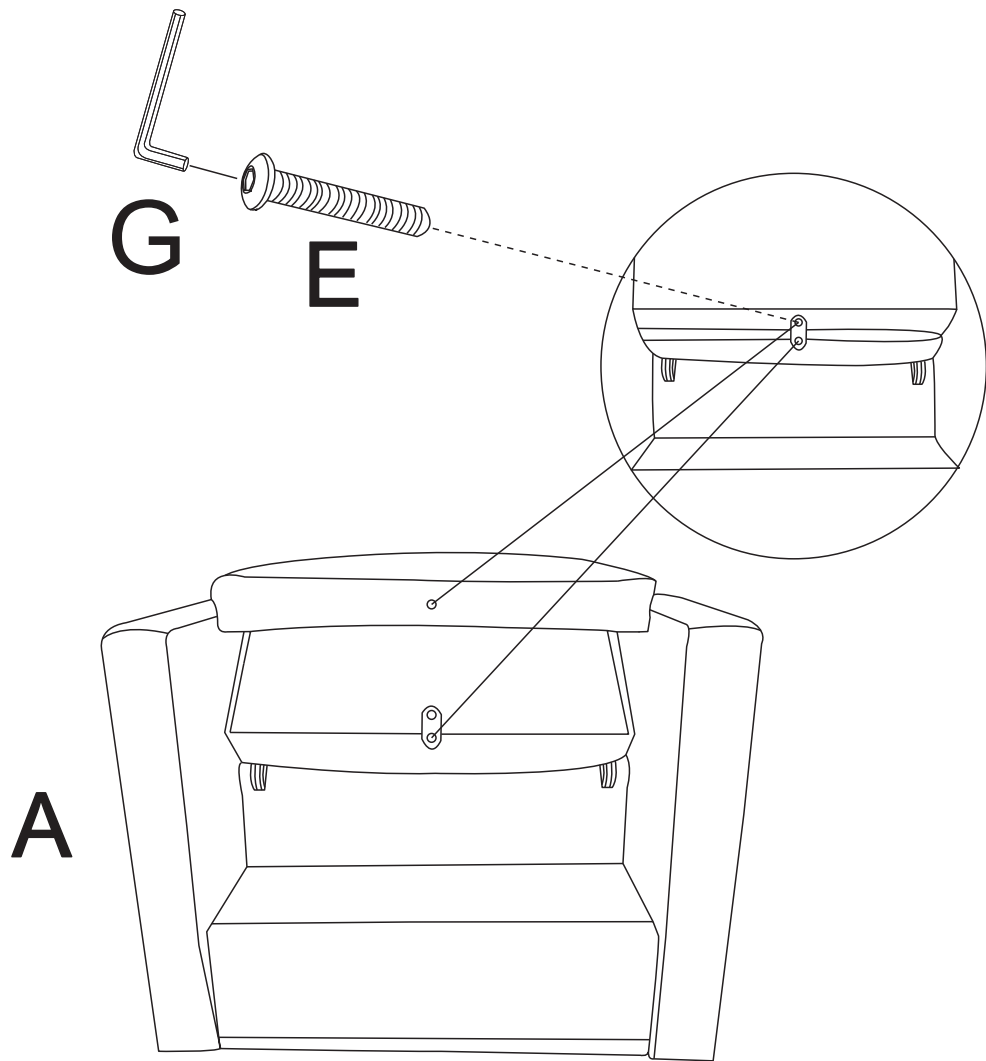


## ASSEMBLY INSTRUCTIONS

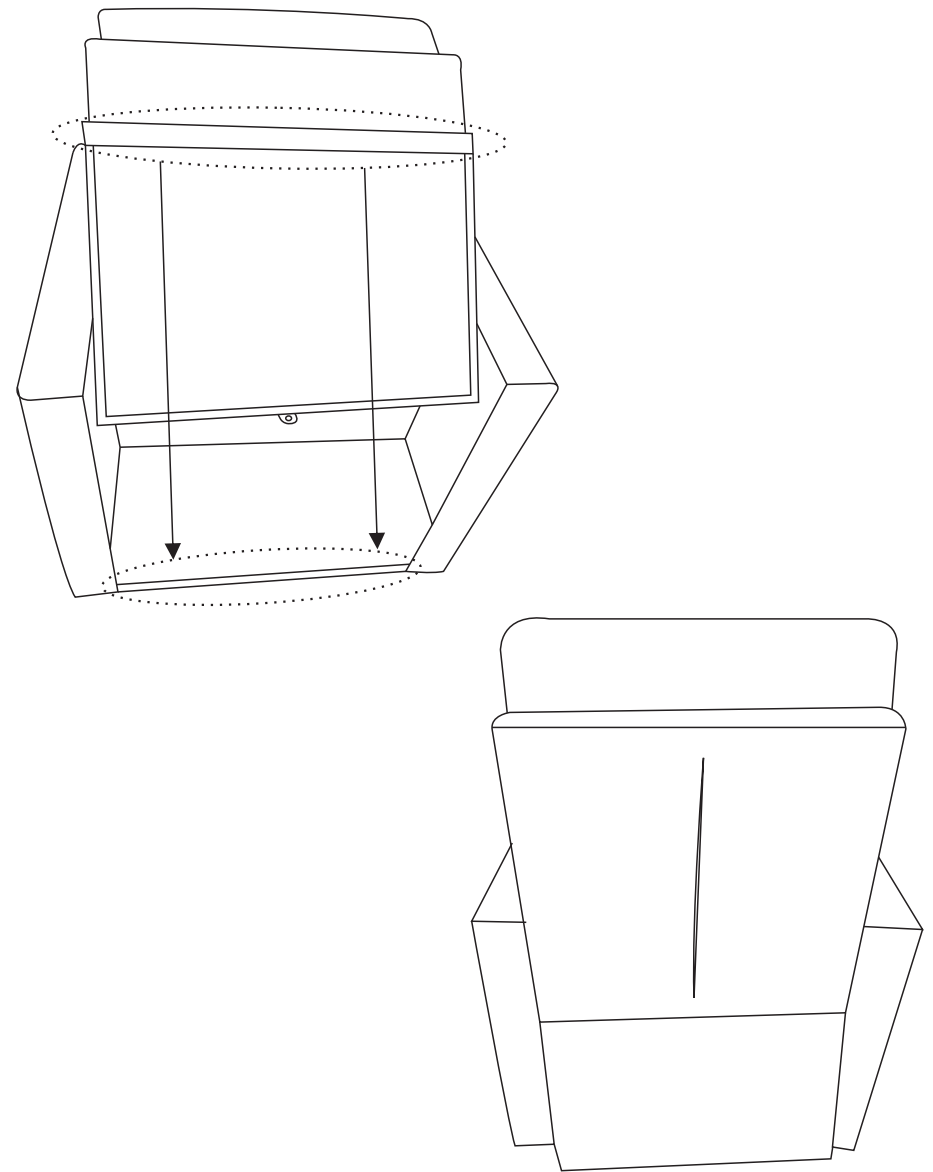


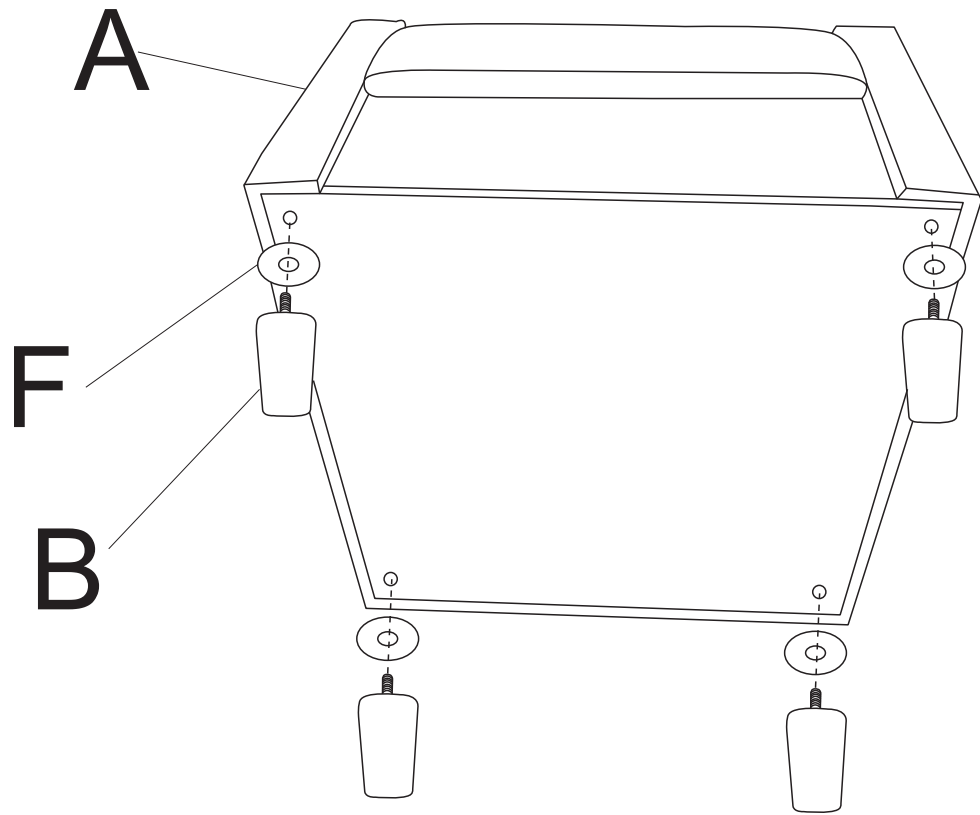
Be sure to check all packing material carefully for small parts, which may have come loose inside the carton during shipment.

STEP 1: Open pocket under the seat then take the ottoman/ legs and other parts out.

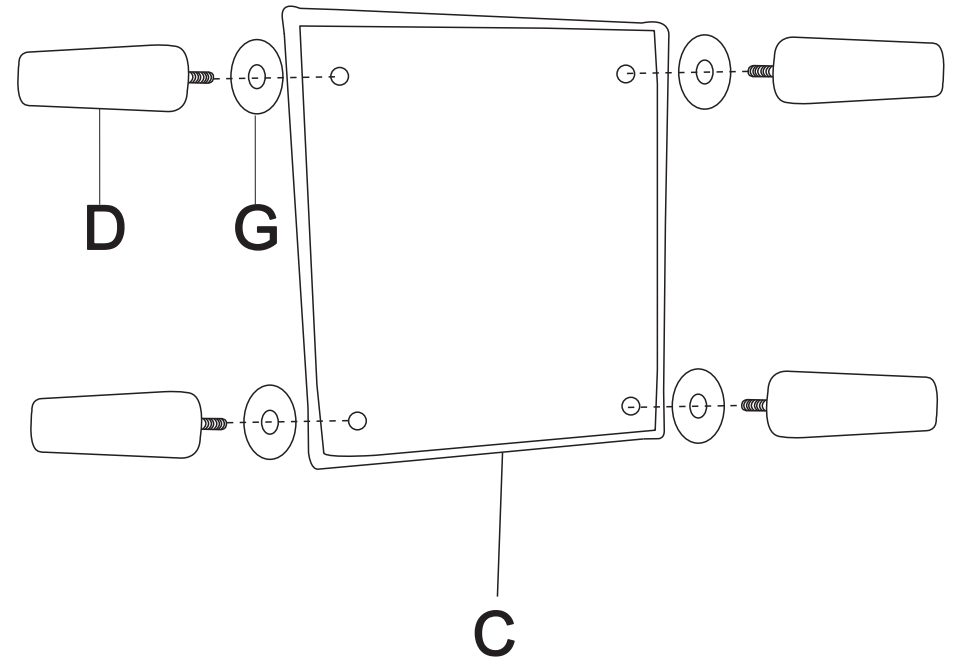


STEP 2: Use bolt E, allen key G to connect upper and lower back, fasten to secure.

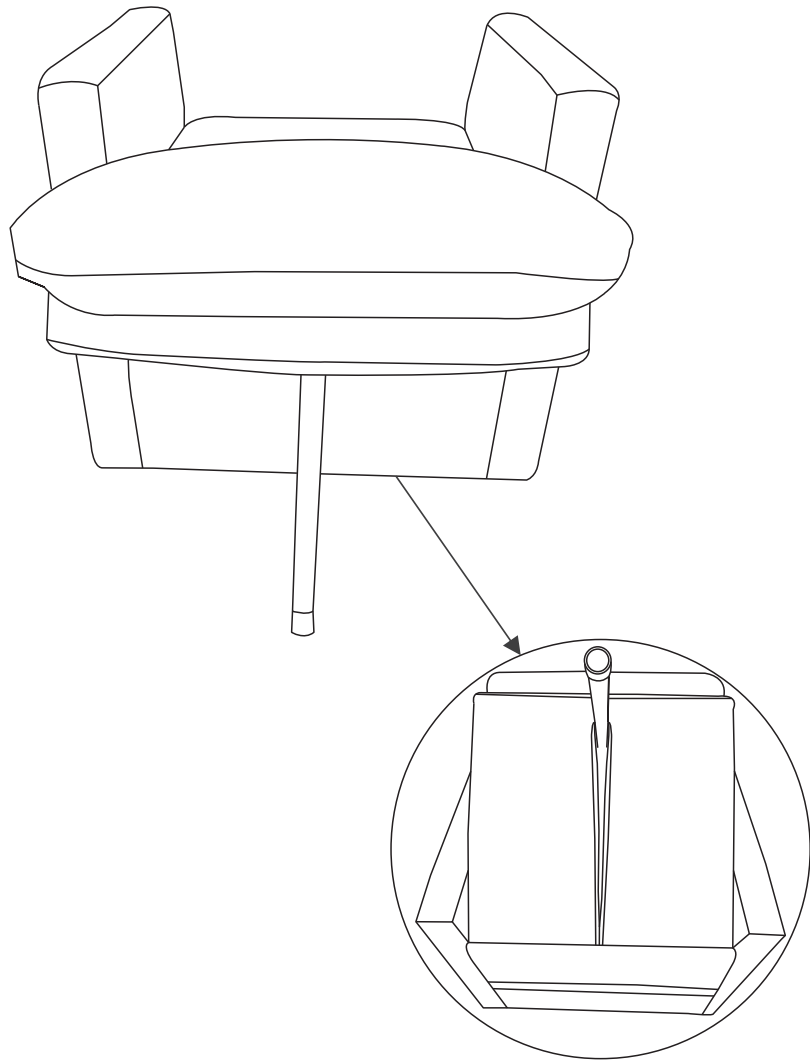




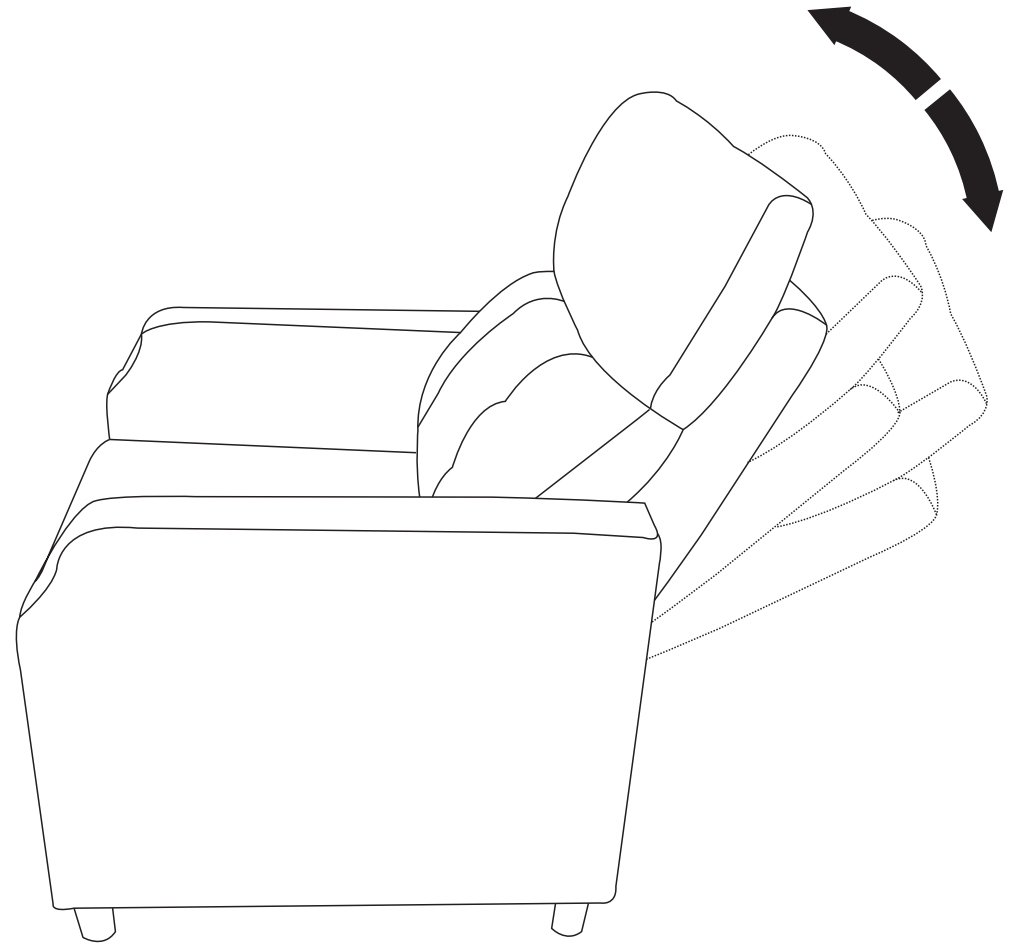
**STEP 4:** Place chair/back assembly A on a clean padded surface, turn the legs B and rubber washer F to secure legs on bottom of chair seat A.



**STEP 5:** Place ottoman seat C on a clean padded surface, turn the legs D and rubber washer G to secure legs on bottom of chair seat C.



**STEP 6:** While the chair reclined, open zipper pocket on backside of chair back and release the support leg for extra support.



**STEP 7:** The chair back is 5 level adjustable, push the chair back to adjust whenever needed.