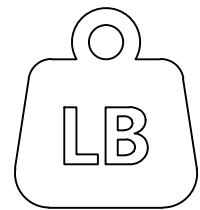


OWNER MANUAL



Per Seat Weight Limitation

150 LBS

Thank You For Choosing Our Furniture

- ▀ If you have any questions or concerns, don't hesitate to reach out to us. ▴

NOTE:






This brochure contains **IMPORTANT** safety info. Please read and keep it for future reference.

MAINTENANCE AND WARNINGS



Before You Start

Please follow the steps below:

-  Check the packaging for any damage, deformation, or water stains. If there is significant damage, please contact us promptly.
-  Open the packaging and confirm that the panels, hardware, screws, etc are complete.
-  Please read the installation instructions carefully to understand the installation steps and precautions to ensure proper installation.
-  Clean the installation area in advance and ensure the ground is level and there is enough space to avoid damaging the furniture or making installation difficult.
-  Lay a protective mat on the ground to prevent scratching the floor during installation.

After-Sales Service

- If you encounter any issues or need technical support during use, please contact our after-sales team. We offer long-term maintenance and warranty services.



Precautions

- ⚠ This product for indoor use only. Do not expose it to outdoor elements or high-humidity environments.
- ⚠ Keep the product away from high heat or open flames to prevent fire hazards.
- ⚠ Do not allow children to climb on the product to prevent personal injury caused by tipping



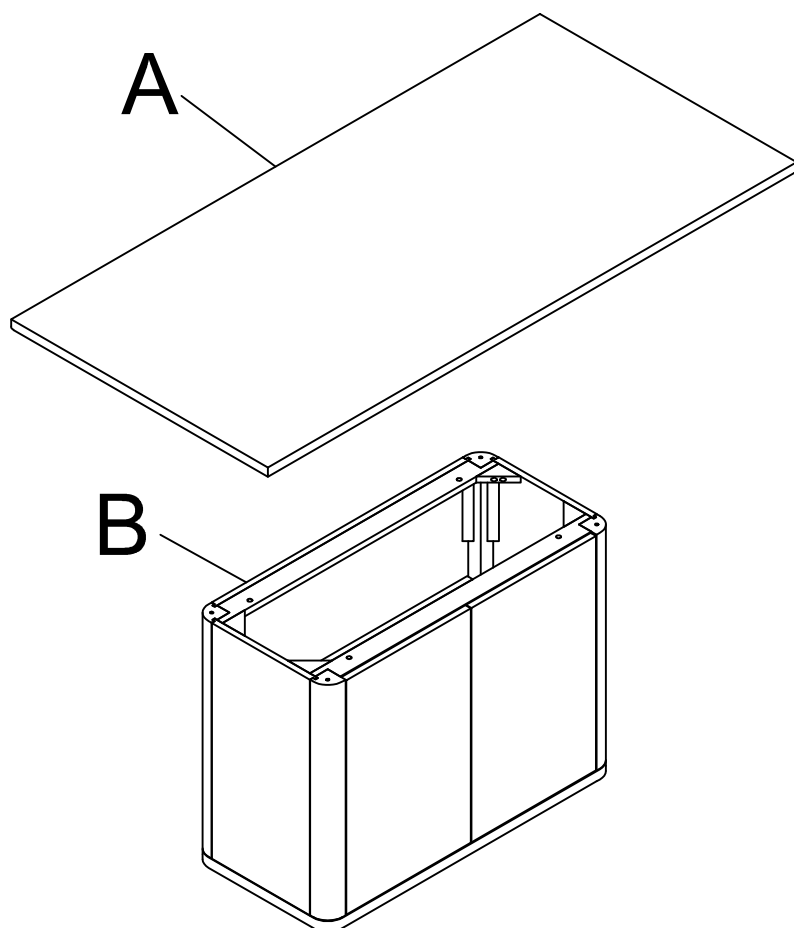
Safety Warnings

- ⚠ If you notice any loose or damaged parts, stop using the product immediately and contact customer service.
- ⚠ Do not attempt to disassemble or replace any components yourself, as this may affect the stability and safety of the product.

Daily Maintenance

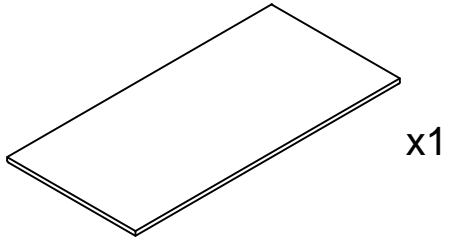
- Regularly clean the surface of the sofa with a soft cloth to prevent dust accumulation.
- Do not use cleaning agents containing acids, alkalis, or corrosive substances, as they may damage the surface. It is recommended to use neutral cleaning agents or specialized furniture cleaners
- Avoid exposing furniture to humid environments for extended periods to prevent swelling or deformation of the boards. Use a dehumidifier or desiccant during humid weather.
- Avoid direct contact of furniture with water. If water is accidentally spilled, wipe it dry immediately.
- Avoid placing excessively heavy objects on the furniture: ensure the weight is within a reasonable load-bearing range.
- Avoid using sharp or rough items on the furniture surface to prevent scratches, Handle items gently when moving them

Explosive view

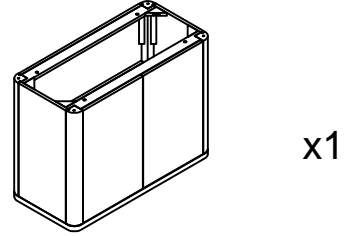


Parts list

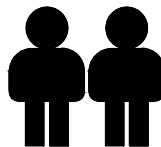
A



B

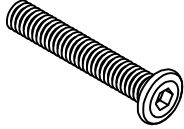
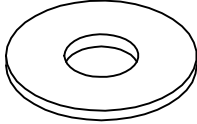
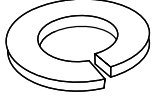

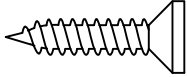
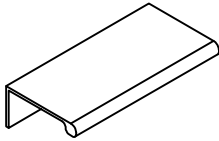
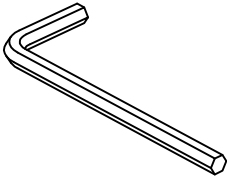
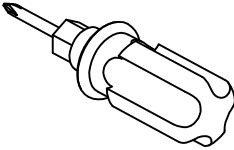


Installation:
15minutes.



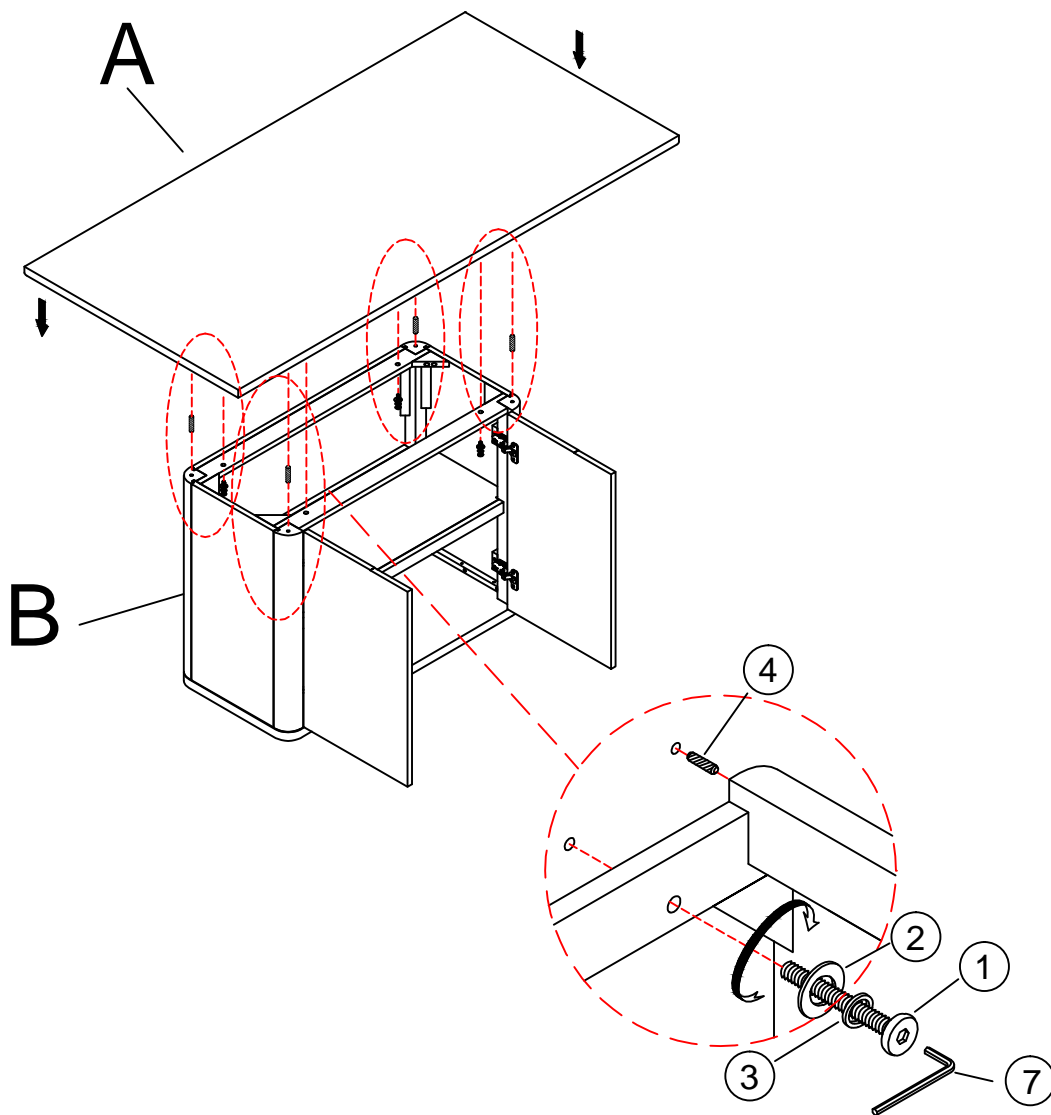
Two Person

Hardware List

<p>①</p>  <p>x4</p> <p>Ø1/4"*38mm</p>	<p>②</p>  <p>x4</p> <p>Ø1/4"</p>	<p>③</p>  <p>x4</p> <p>Ø1/4"</p>
<p>④</p>  <p>x4</p> <p>Ø8"*30mm</p>	<p>⑤</p>  <p>x6</p> <p>Ø6*15mm</p>	<p>⑥</p>  <p>x2</p>
<p>⑦</p>  <p>x1</p> <p>M4</p>	<p>⑧</p>  <p>x1</p> <p>Not including</p>	

Step 1

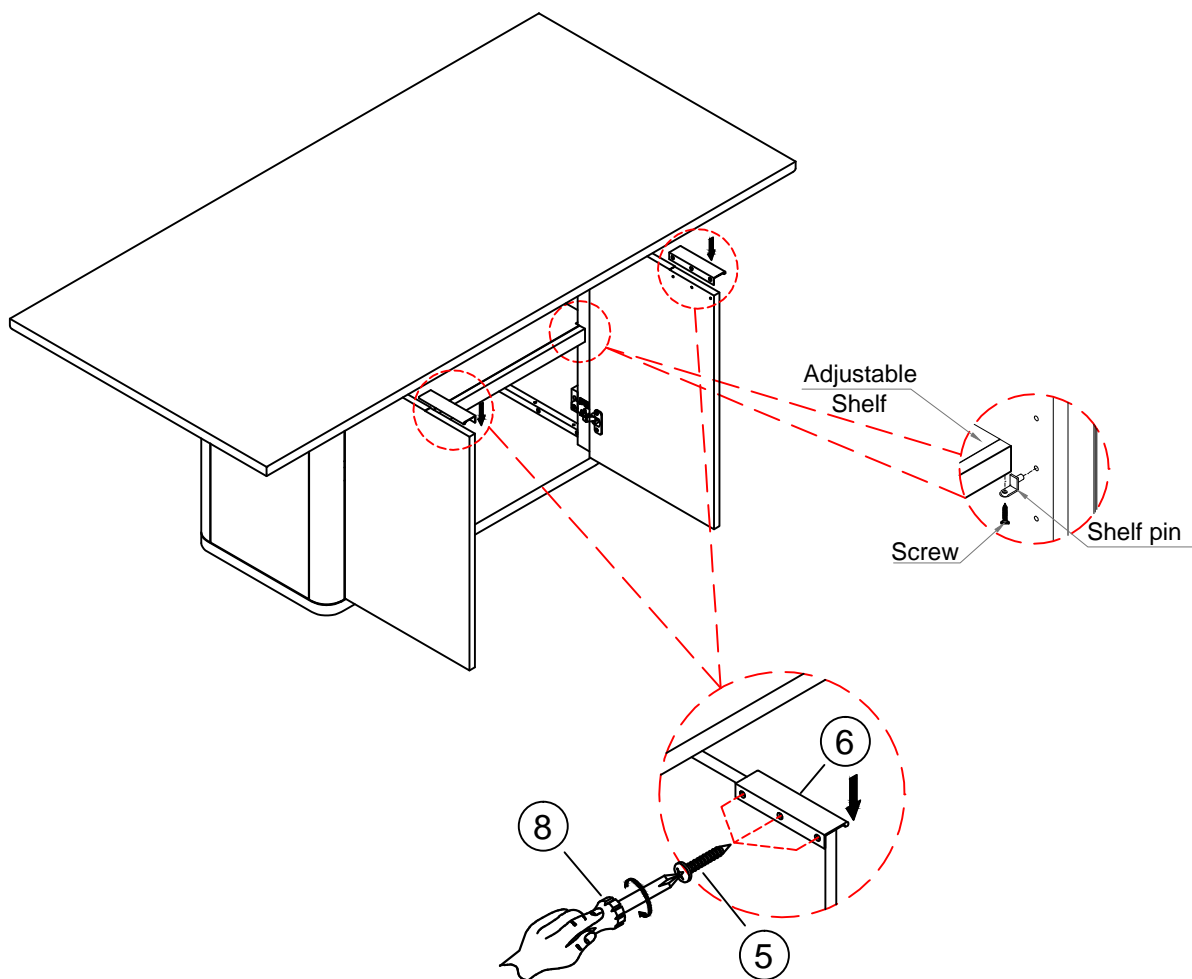
1. Insert part (A) into part (B), make sure align aligned then use bolts (1) & wood dowels (4), then tighten the bolt with an Allen key (7)



①	x4	②	x4	③	x4	④	x4	⑦	x1
Ø1/4"*38mm		Ø1/4"		Ø1/4"		Ø8*30mm		M4	

Step 2

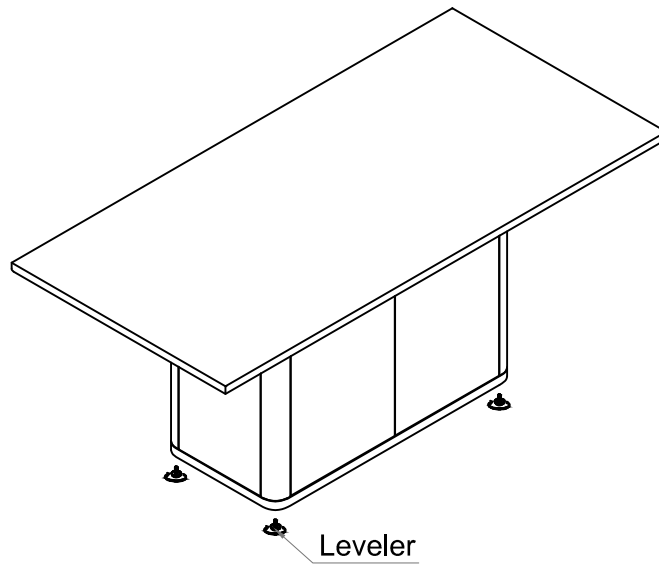
1. Open the door then install part (6) into the existing hole, make sure all holes aligned and use screw (5) to attach them screw driver (8).



⑤	x6	⑥	x2	⑧	x1
Ø6*15mm				Not including	

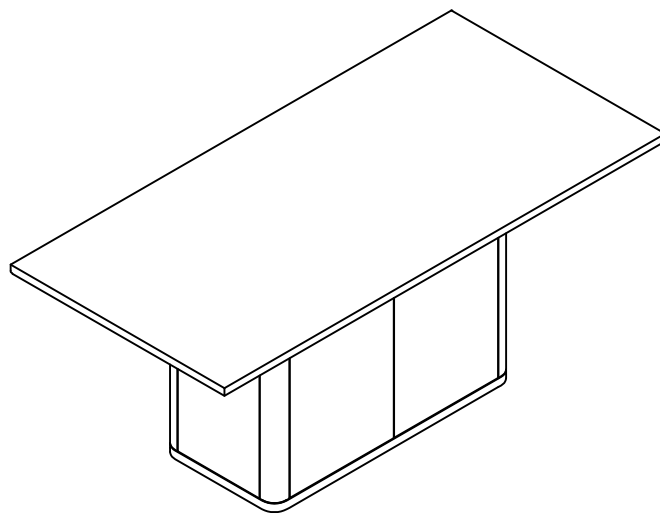
Step 3

1. Adjust the leg levelers as needed.



Step 4

1. Complete



WARRANTY

- We strive to offer quality products, and we also try our best to satisfy every customer who orders from us with products or services as needed.
- We provide 30 days warranty starting from the time you receive the item. Each customer must provide a record of their orders such as the order number, or item receipt for any items that are out of the warranty period you may also still receive.
- Replacement parts by purchasing them from our company if they are available.
- For return, please check the return policy with the retailer or market place you bought from

Appreciate your purchasing from us.
Pop up your life by our furniture piece!