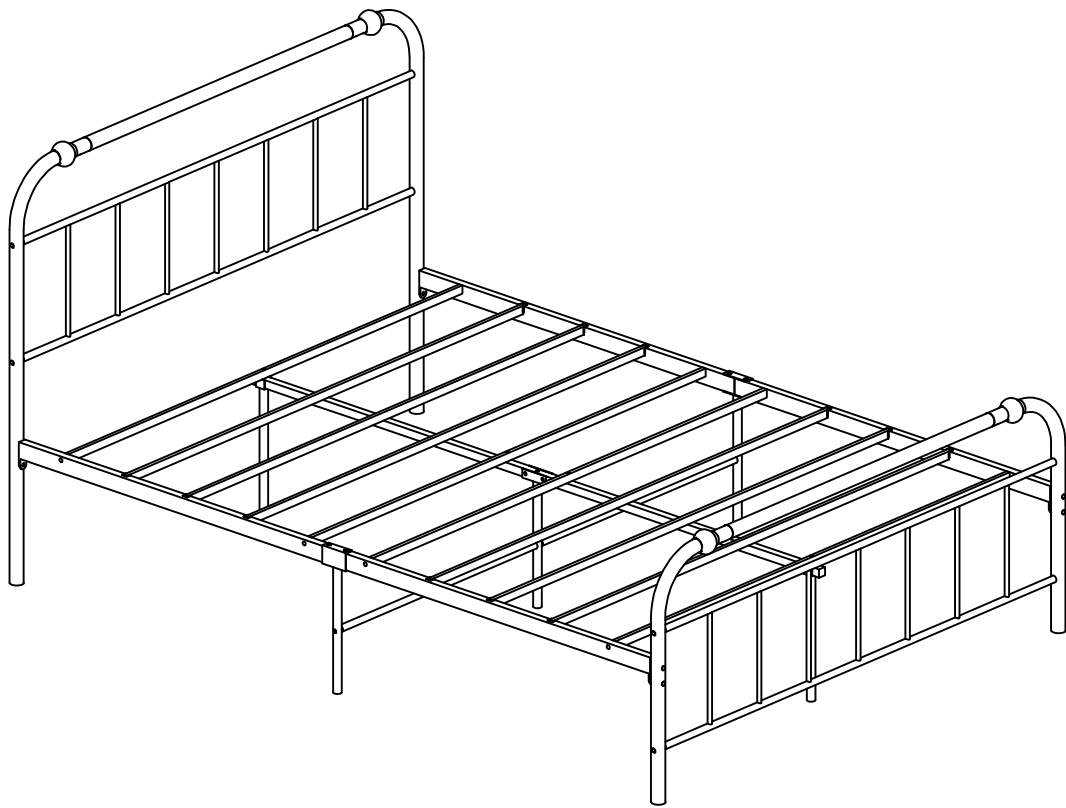


METAL BED FRAME

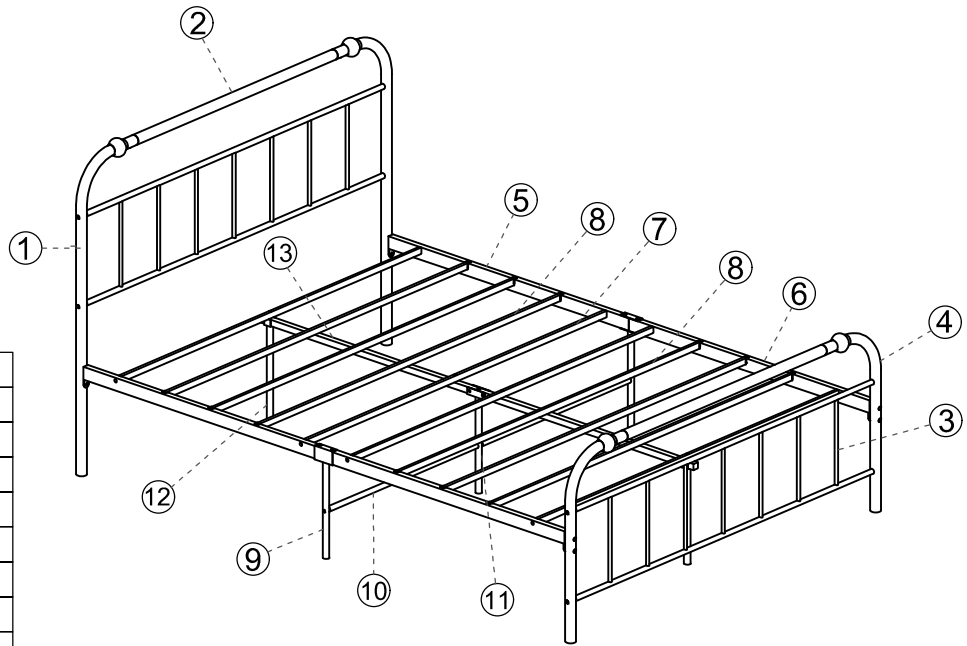
Assembly Instructions



MAINTENANCE

- Check bolts/screws periodically and tighten them if necessary

MATERIAL LIST



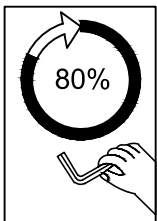
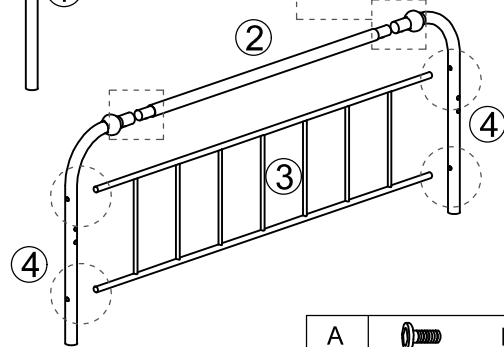
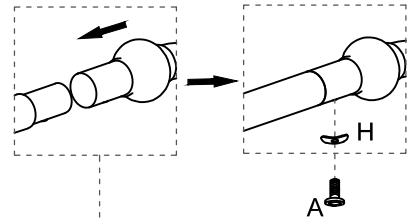
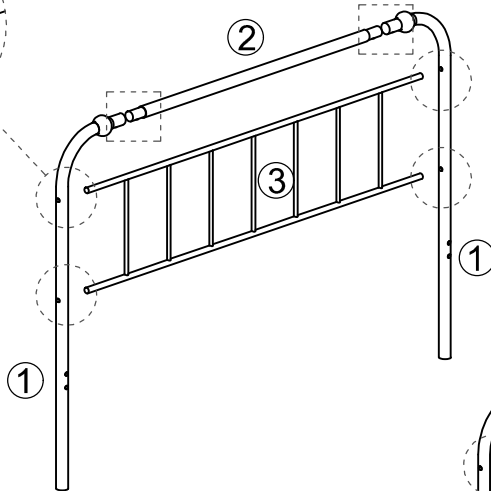
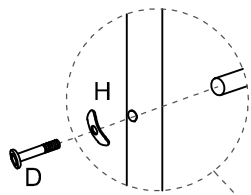
A		M6X15	X6	Screw
B		M6X30	X4	Screw
C		M6X35	X16	Screw
D		M6X50	X8	Screw
E		M8X35	X1	Screw
F		M8X55	X6	Screw
G		M6X50	X1	Screw
H			X20	Spacer
I		M8	X1	Spacer
J		M6X18	X12	Nut
K			X2	PP part
L			X12	PP part
M		M6	X2	Hex Key
N		M8	X1	Hex Key

1	Post of headboard X2	2	Connect tube X2	3	Head board&Footboard X2
4	Post of Footboard X2	5	Side rail X2	6	Side rail X2
7	Slats X4	8	Slats X6	9	Supporting leg X2
10	Gross bar X2	11	Supporting leg X1	12	Supporting leg X2
13	Middle bar X2				



To avoid leaving scratches on the paint, please be careful while installing on the hard ground.

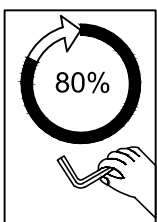
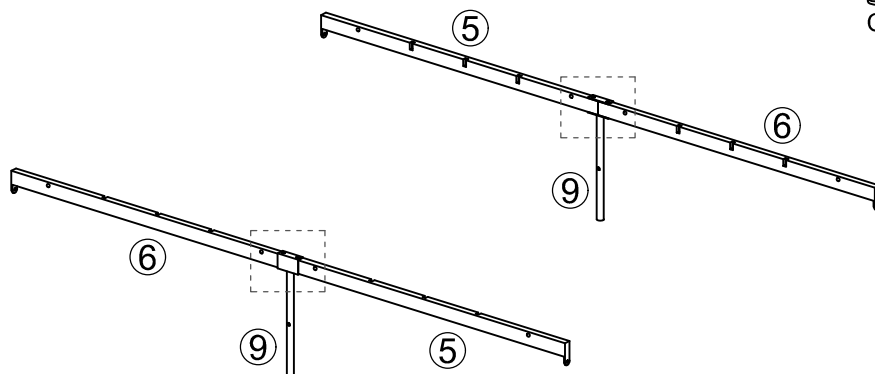
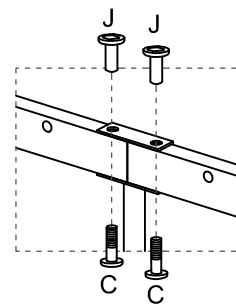
1



Do not fully tighten the bolts.

A		M6X15	X4
D		M6X50	X8
H			X12

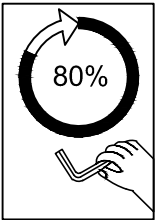
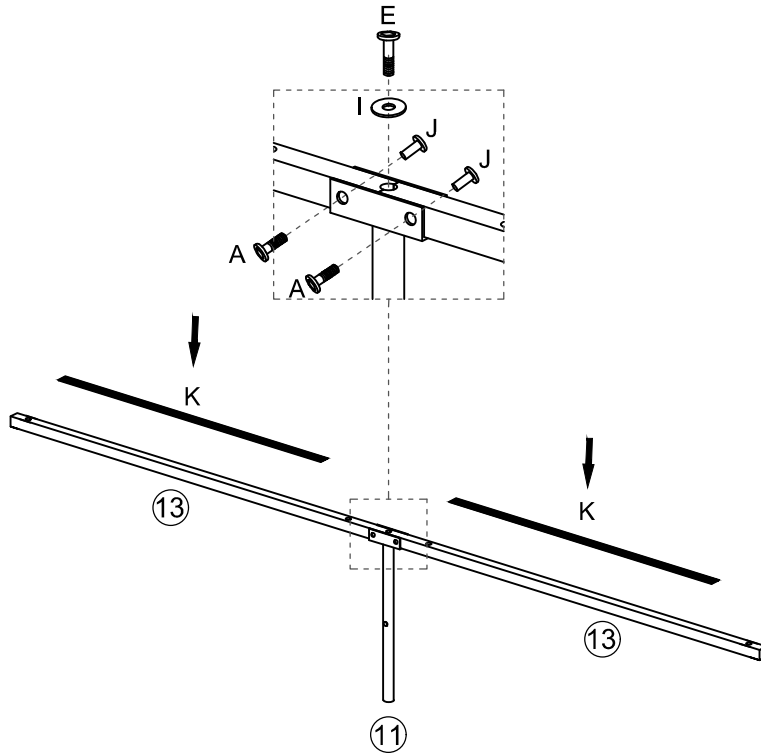
2



Do not fully tighten the bolts.

C		M6X35	X4
J		M6X18	X4

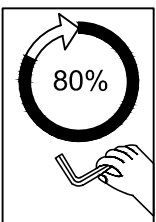
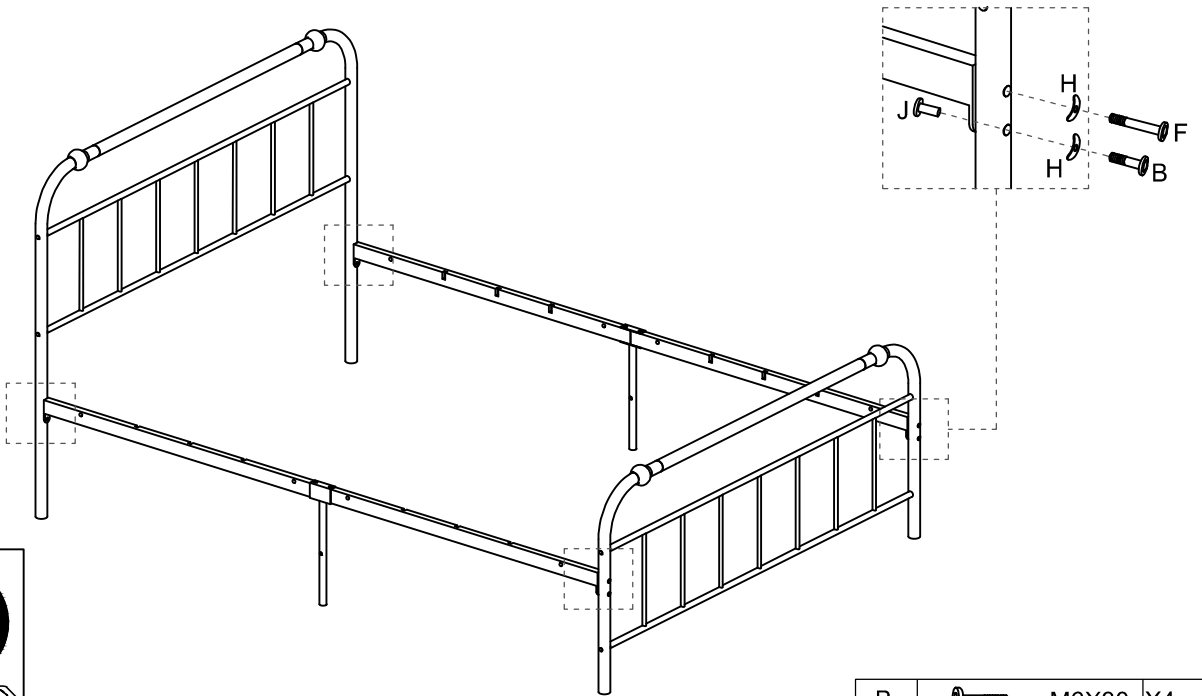
3



Do not fully tighten the bolts.

A		M6X15	X2
E		M8X35	X1
I		M8	X1
J		M6X18	X2
K			X2

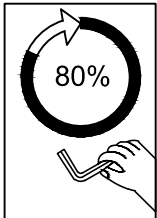
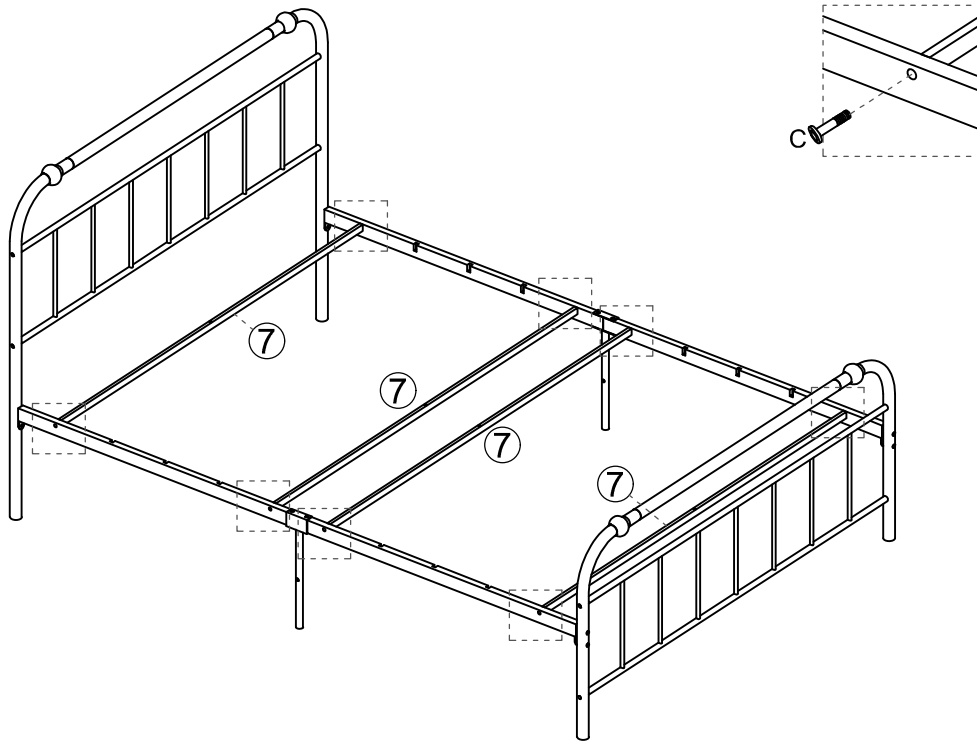
4



Do not fully tighten the bolts.

B		M6X30	X4
F		M8X55	X4
H			X8
J		M6X18	X4

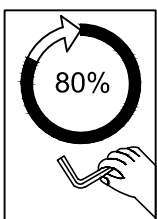
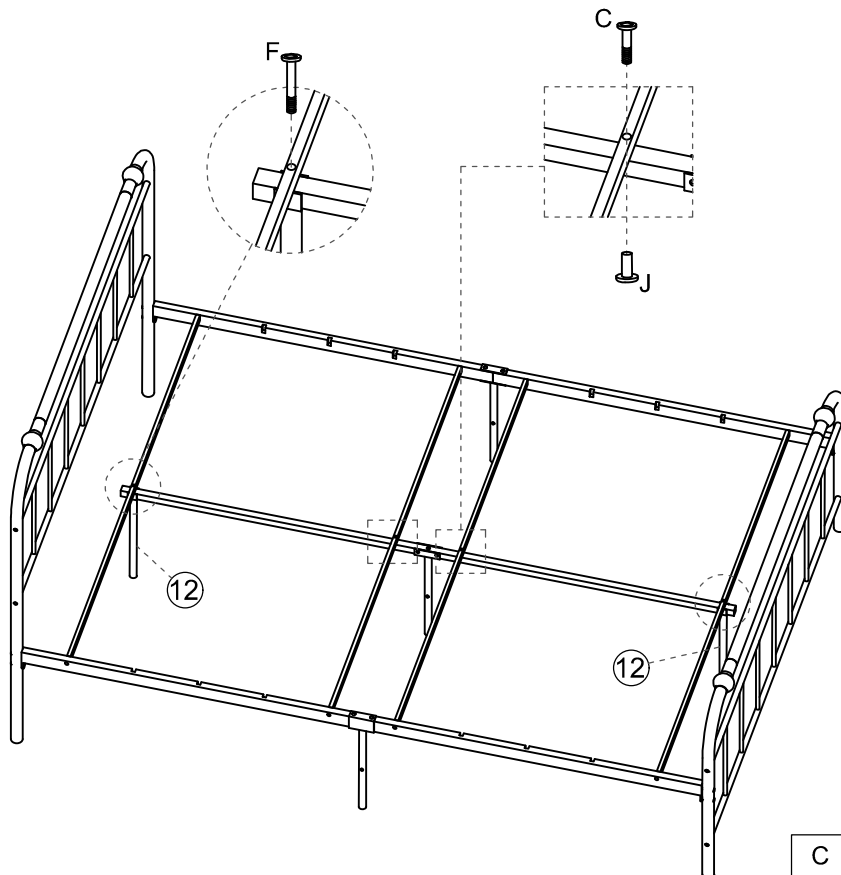
5




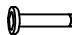

Do not fully tighten the bolts.

C		M6X35	X8
---	---	-------	----

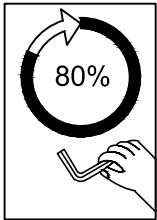
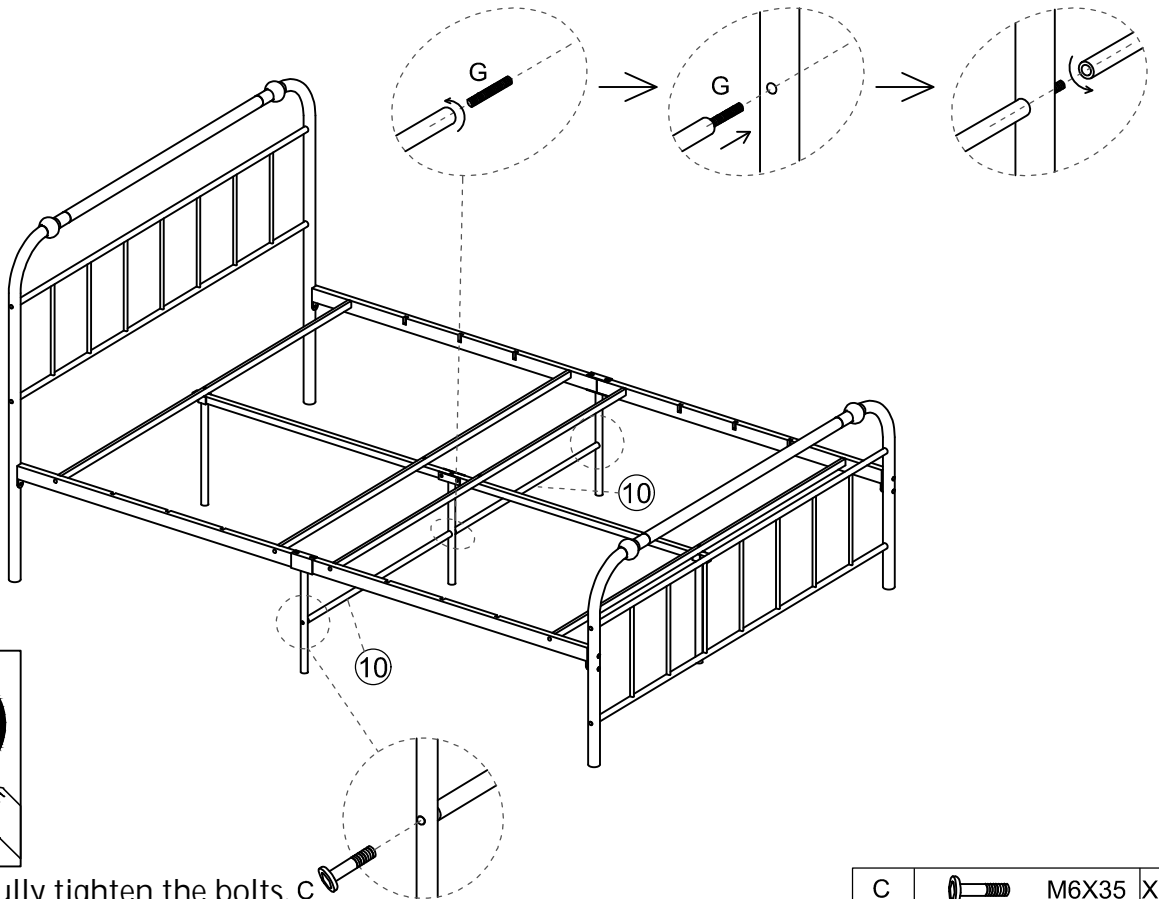
6





Do not fully tighten the bolts.

C		M6X35	X2
F		M8X55	X2
J		M6X18	X2

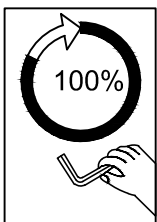
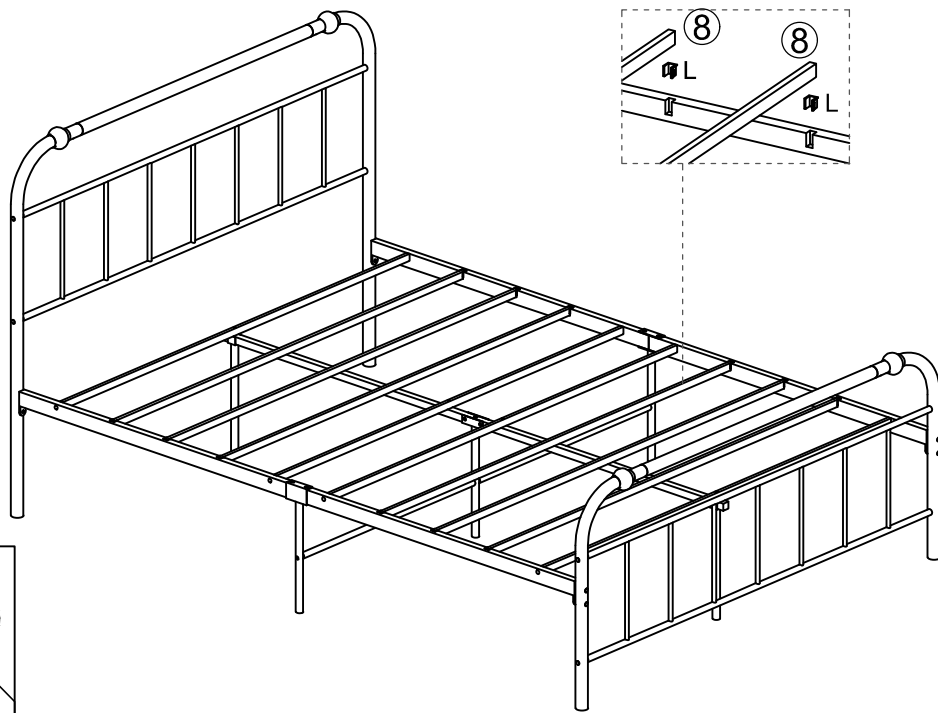
7



Do not fully tighten the bolts. c

C		M6X35	X2
G		M6X50	X1

8



Tighten the bolts completely.

L			X12
---	---	--	-----

BEFORE STARTING

1. Read each section carefully before starting. It is very important that each step is performed in the correct order.
2. Make sure all parts are included. Most parts are labeled or stamped on the raw edge.
3. Assemble it in a spacious area, preferably on a carpet, near the place where the unit will be located.
4. Do not use power tools to assemble your furniture. Power tools may strip or damage the parts.
5. Do not tighten each bolt completely during assembly. After product assembly, check and tighten all bolts.

CARE AND CLEANING

1. Dust table regularly with a soft, dry cloth to prevent soil buildup.
2. Do not use harsh chemicals or abrasive cleaners on this item.
3. Never push, pull, or drag your furniture.
4. Use coasters to prevent the formation of moisture rings and trivets to protect them from hot items.

MAINTENANCE

1. Check bolts/screws periodically and tighten them if necessary.