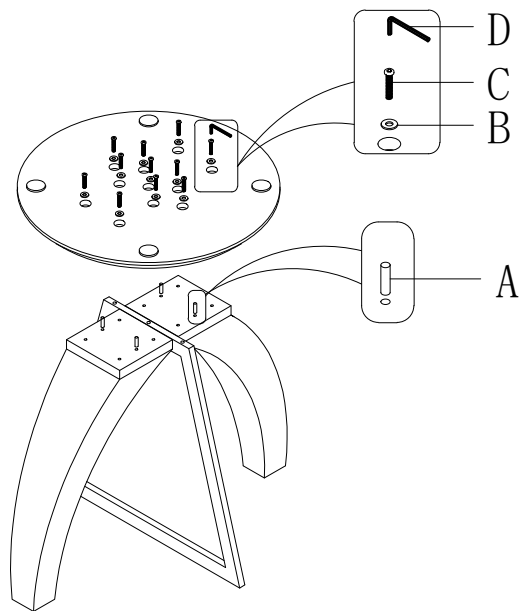
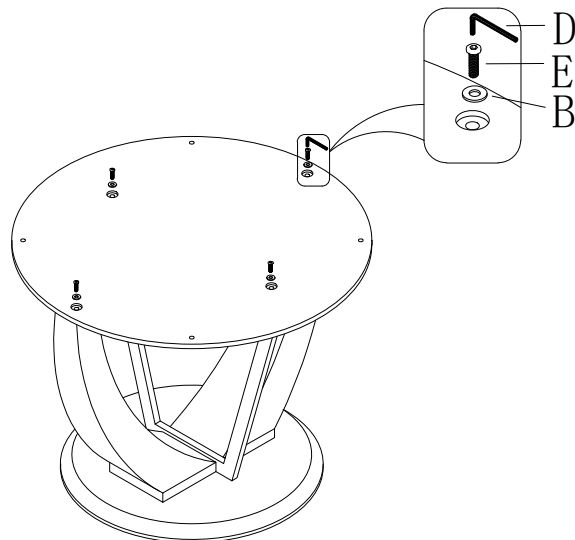


# ASSEMBLY INSTRUCTION

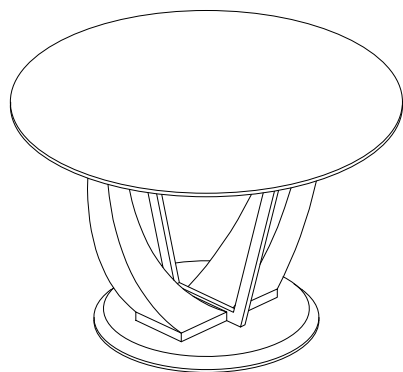
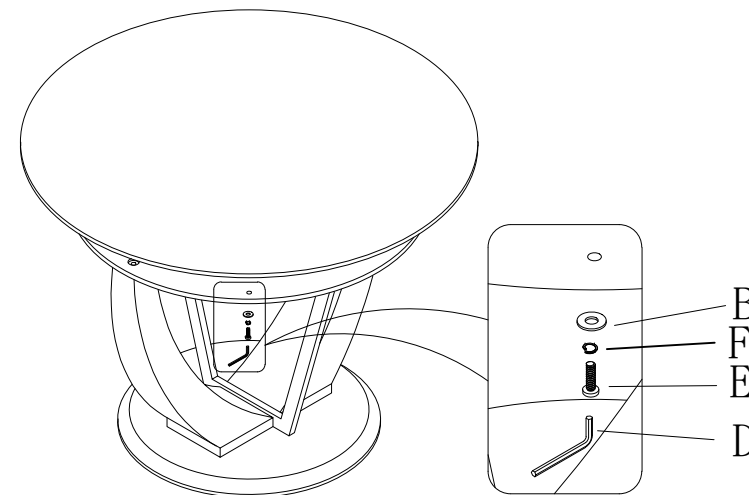
STEP1



STEP2









STEP3



DI-76-1

At least 2 people are required for product assembly

A		ø8*30	4pcs
B		ø22	19pcs
C		M8*45	11pcs
D		M5	1pc
E		M8*30	8pcs
F		ø12	4pcs