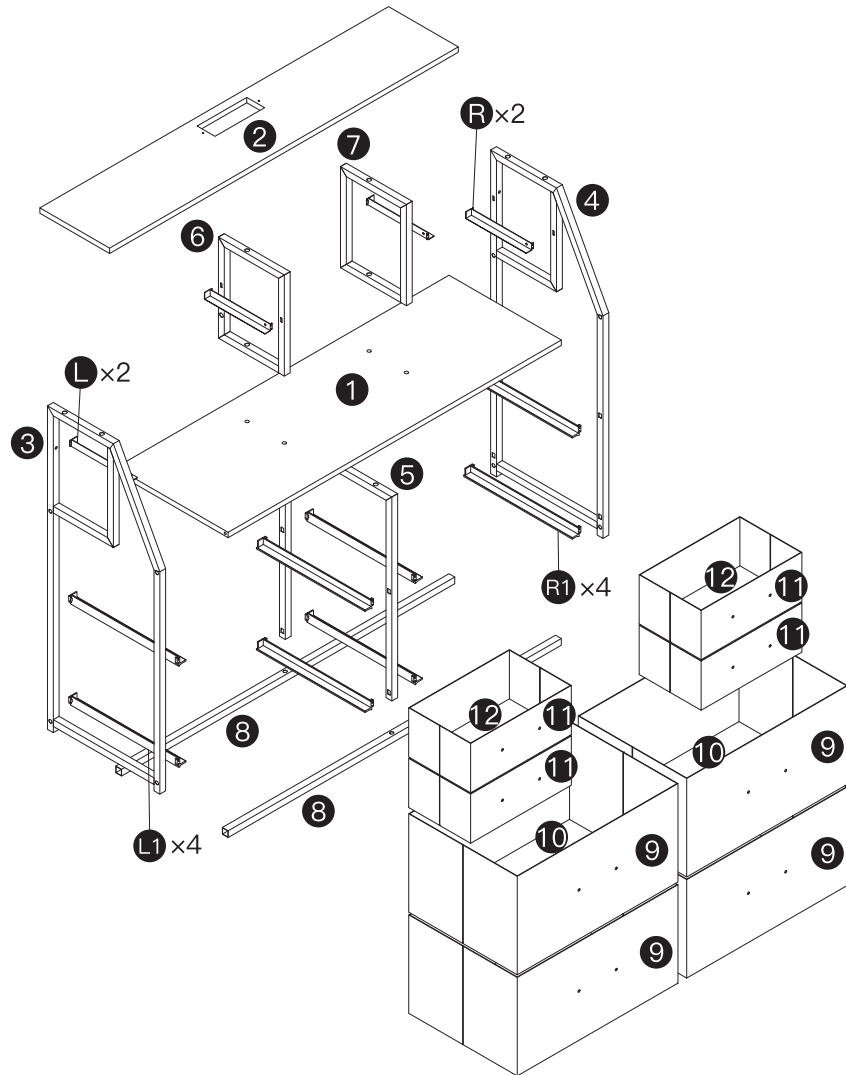


ASSEMBLY INSTRUCTION



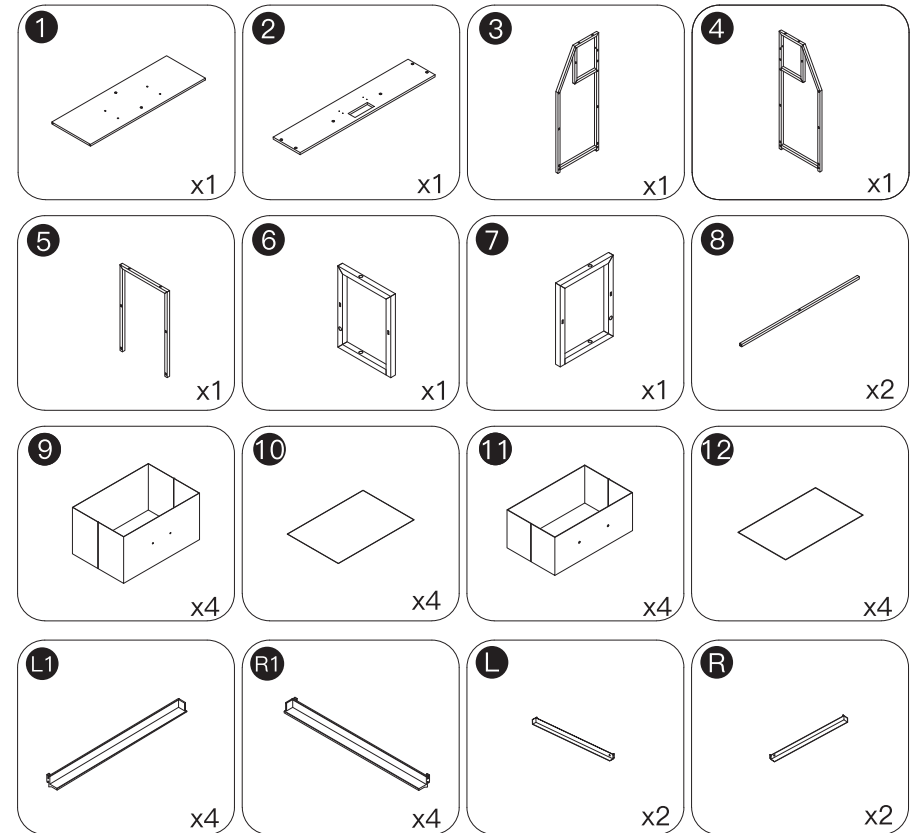
EXPLODED DRAWING:

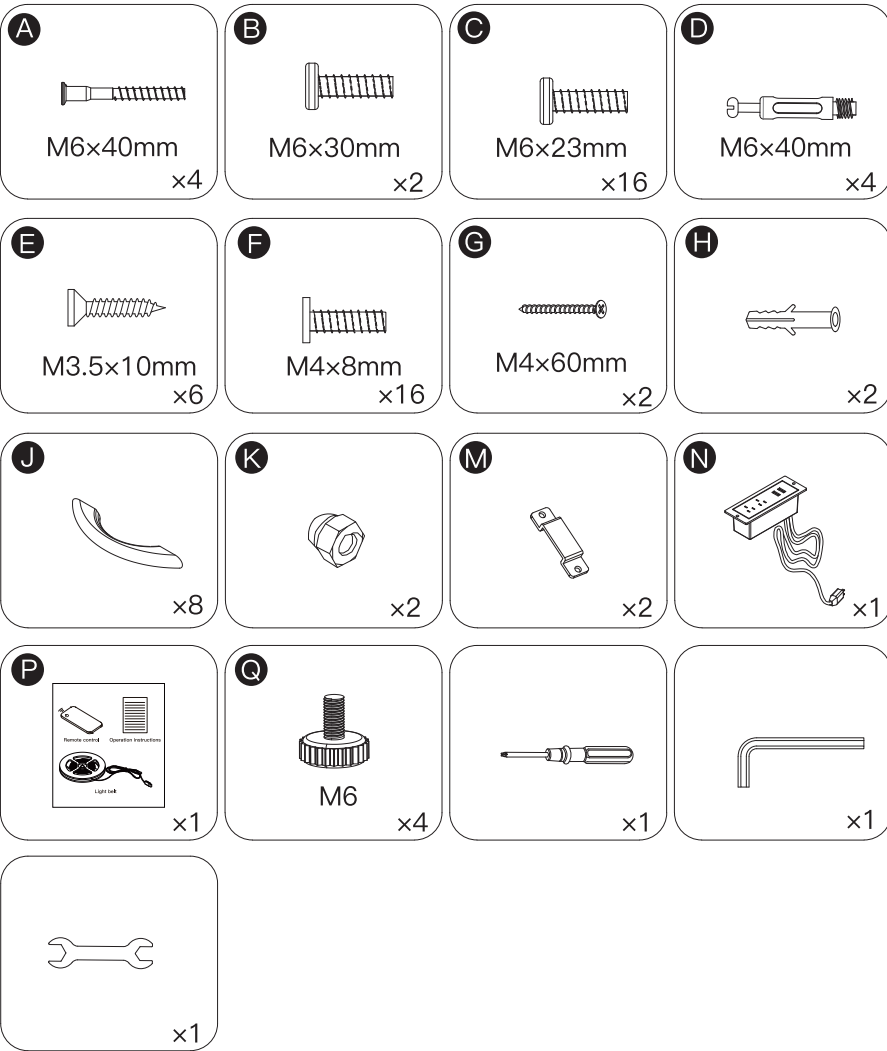


Please check all parts and accessories according to the parts list before assembling, make sure all contents are sufficient and in good condition.

If there is any parts missing or defective, please contact us immediately with purchase platform message to get replacement parts.

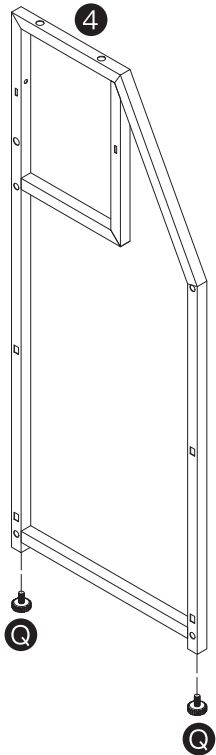
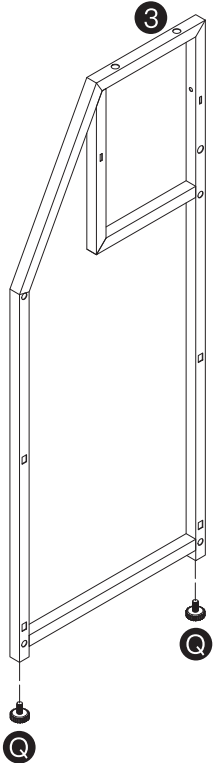
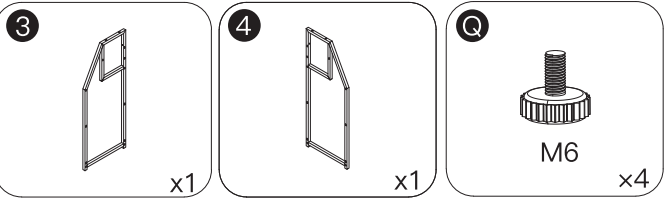
PARTS:



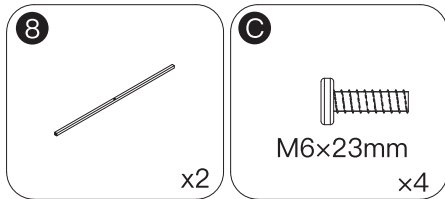


HOW TO INSTALL

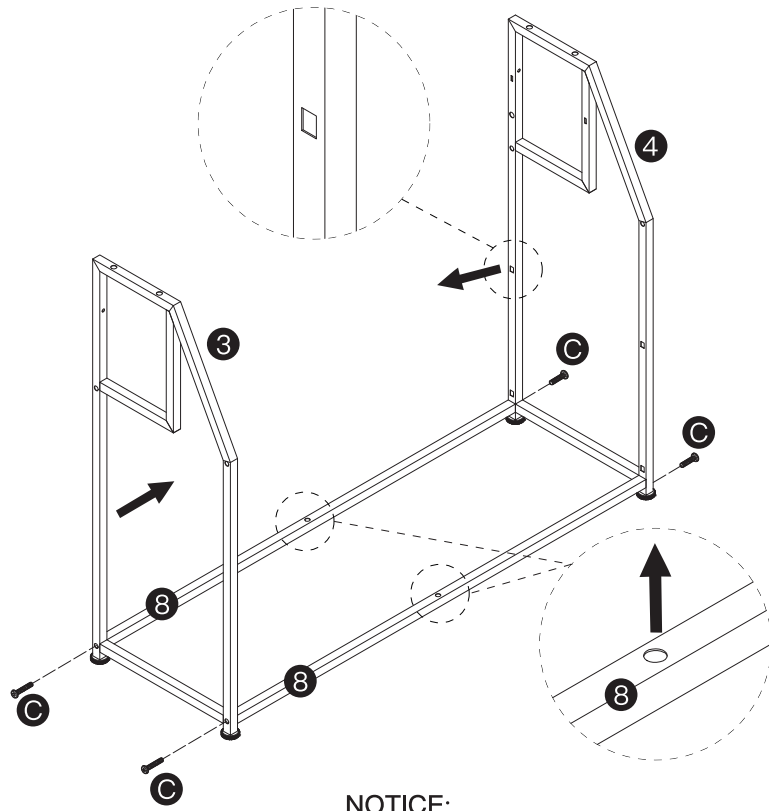
STEP 1



STEP 2

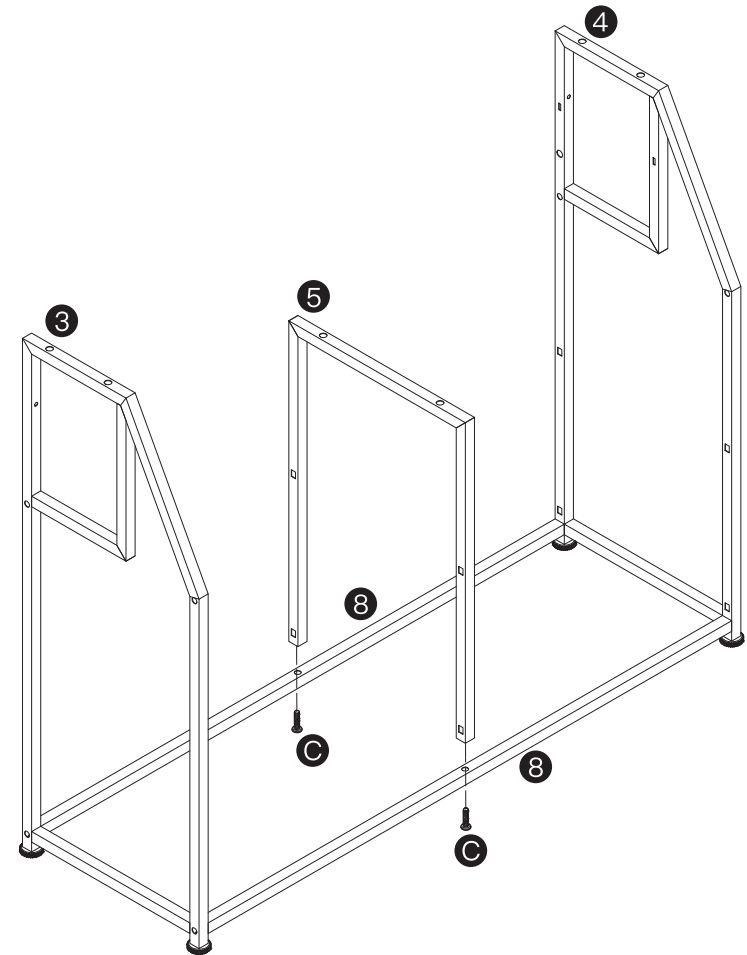
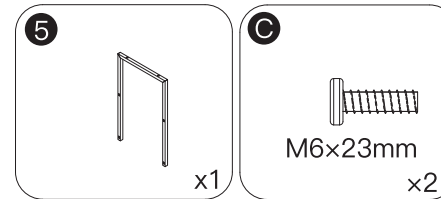


NOTICE:
Ensure that the square hole of part ③ & ④ faces inward.

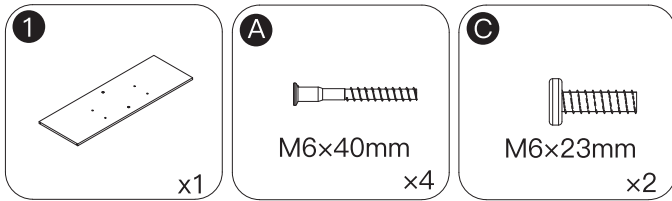


NOTICE:
Ensure that the hole position of part ⑧ is facing upwards.

STEP 3

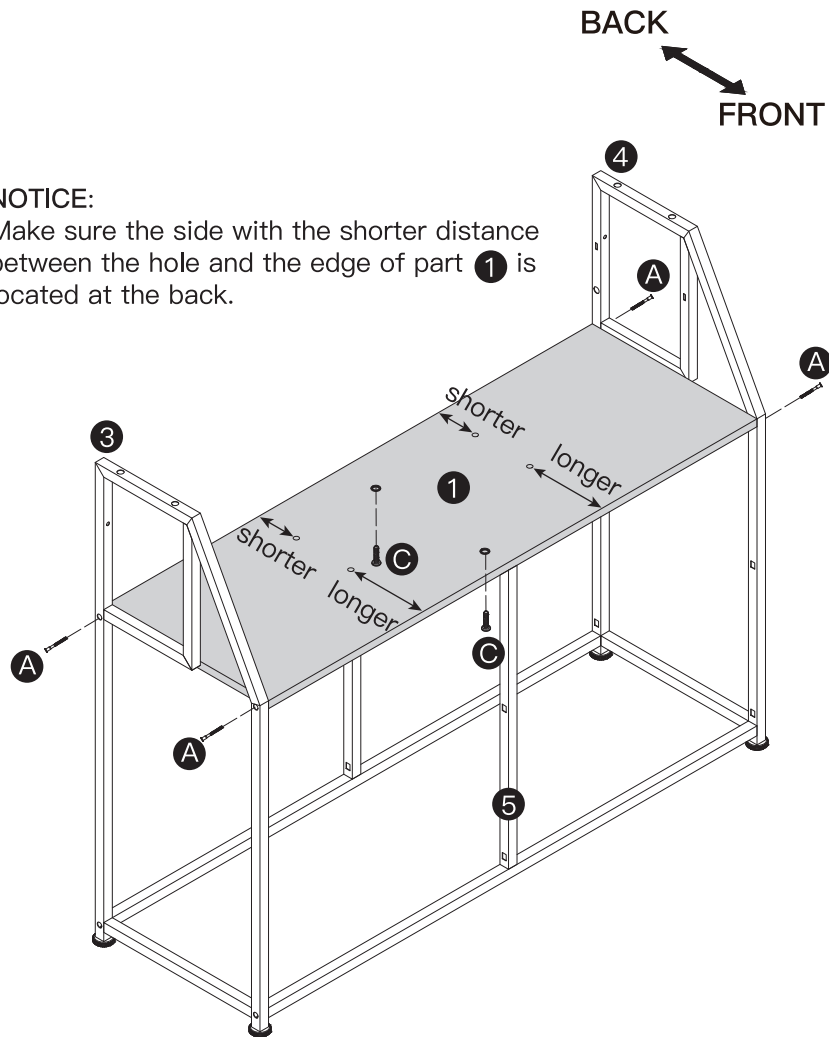


STEP 4

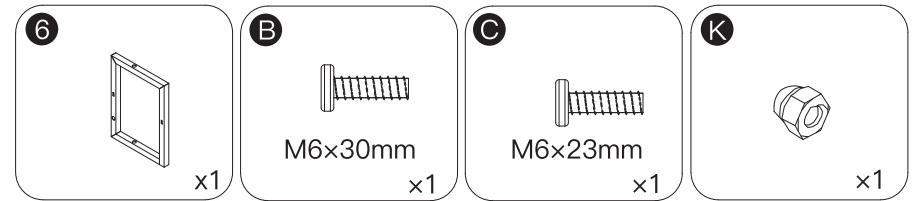


NOTICE:

Make sure the side with the shorter distance between the hole and the edge of part 1 is located at the back.

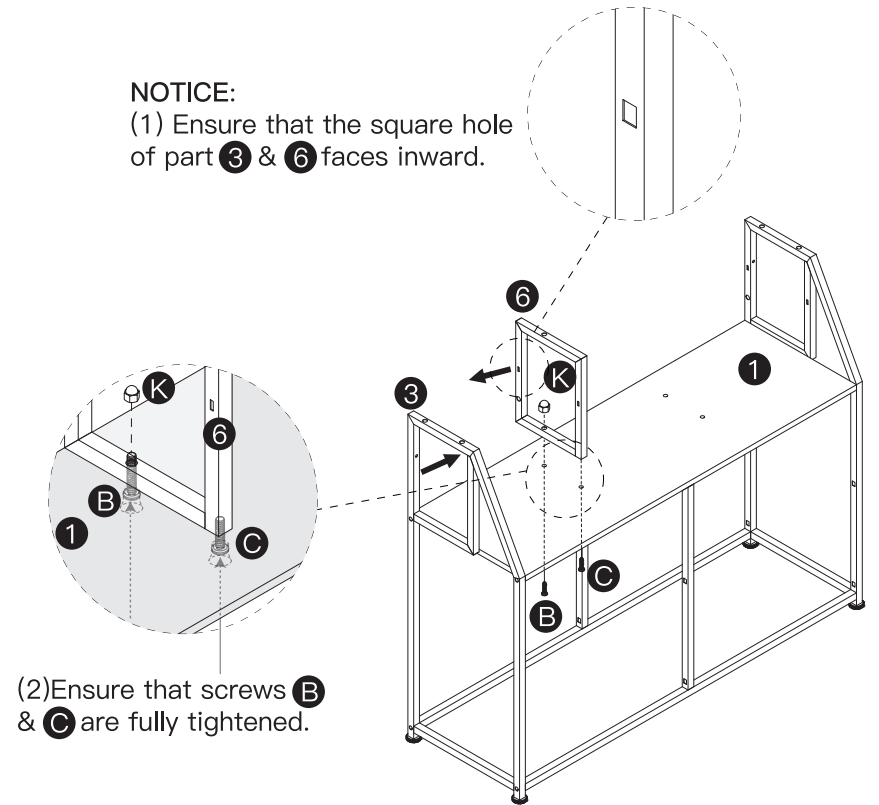


STEP 5

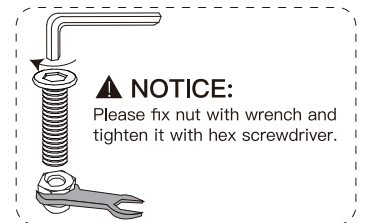


NOTICE:

(1) Ensure that the square hole of part 3 & 6 faces inward.



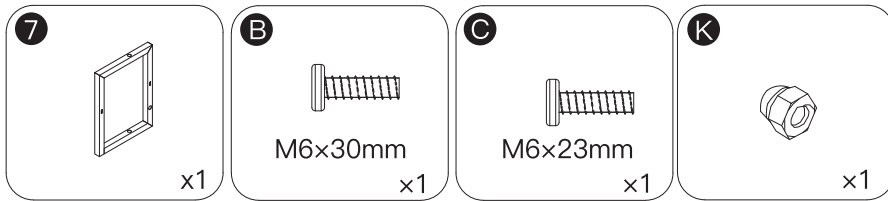
(2) Ensure that screws B & C are fully tightened.



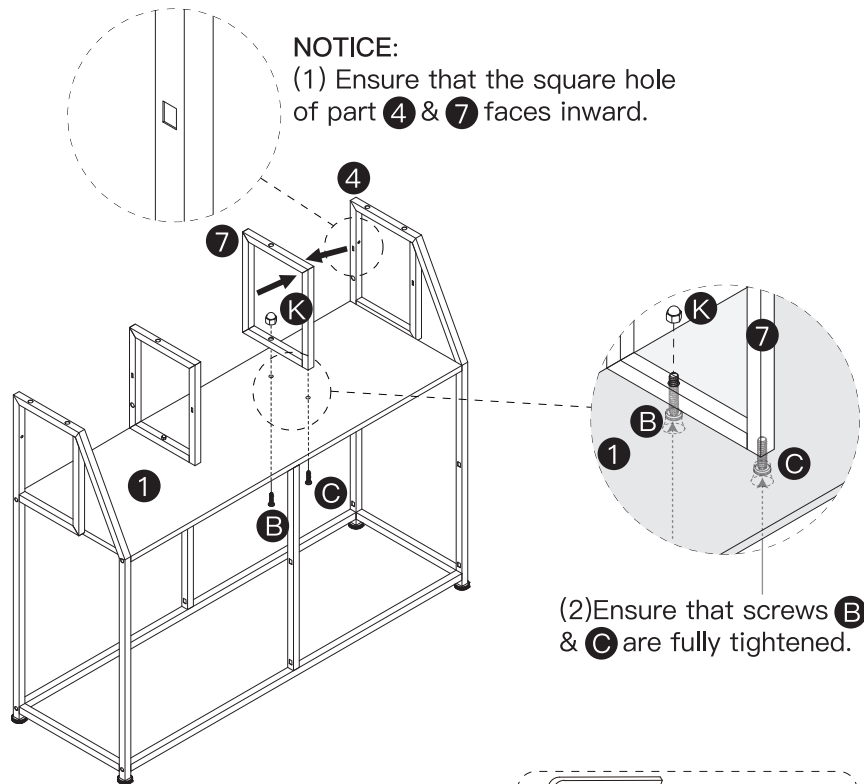
NOTICE:

Please fix nut with wrench and tighten it with hex screwdriver.

STEP 6



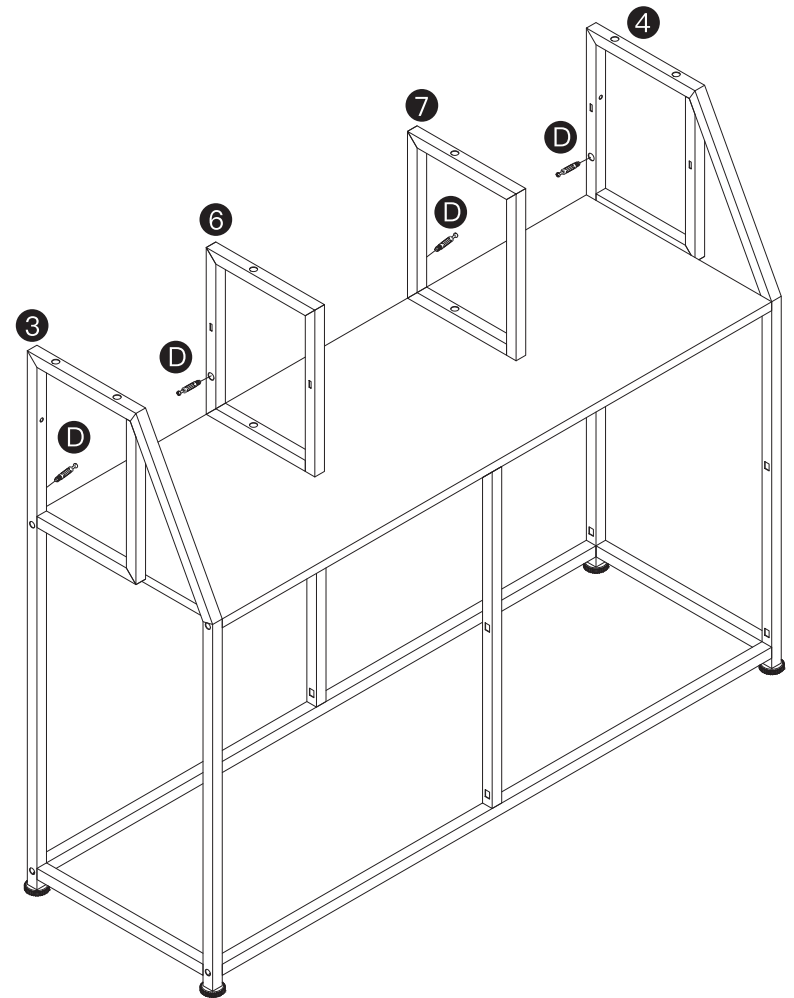
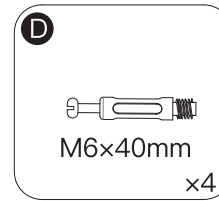
NOTICE:
(1) Ensure that the square hole of part 4 & 7 faces inward.



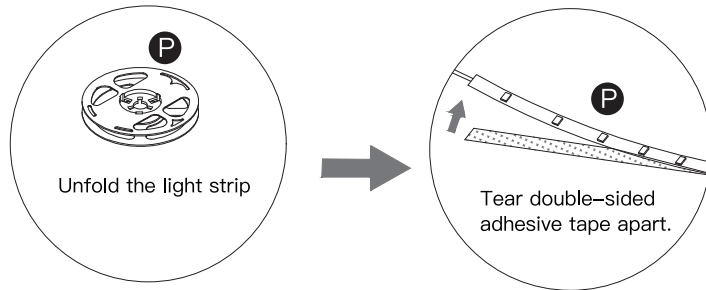
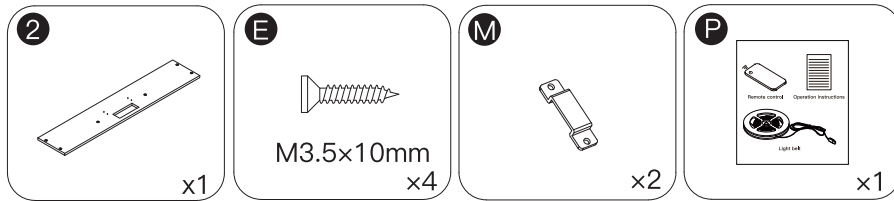
▲ NOTICE:
Please fix nut with wrench and tighten it with hex screwdriver.



STEP 7

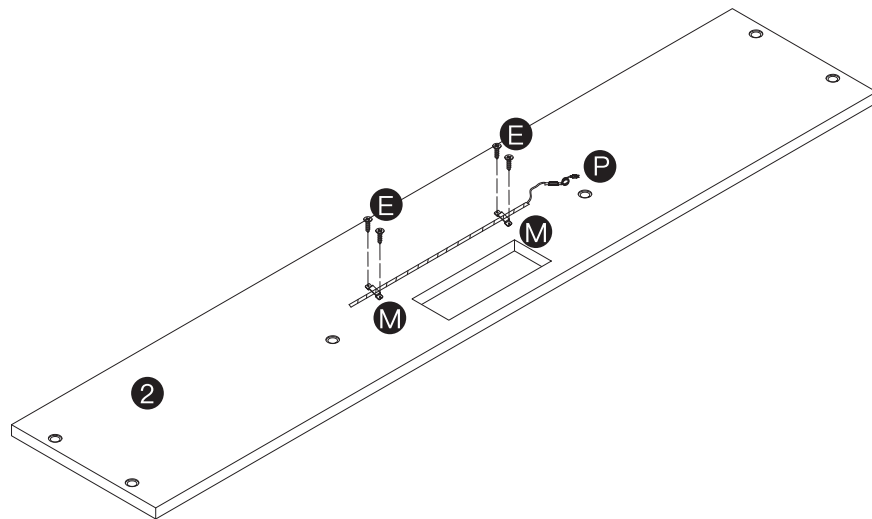


STEP 8

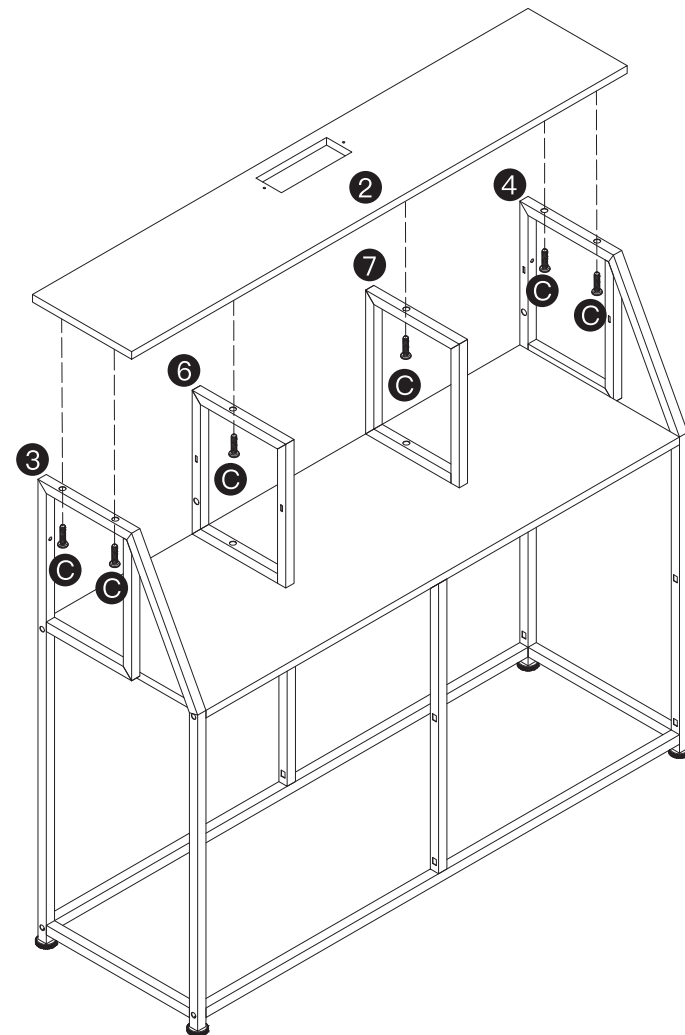
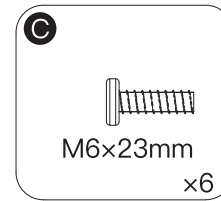


NOTICE:

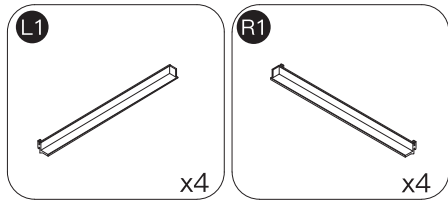
Please be careful not to tear off the adhesive surface, when removing the double-sided tape.



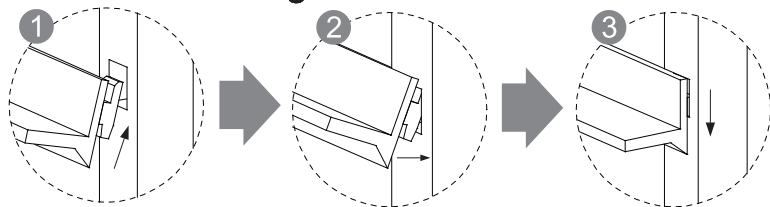
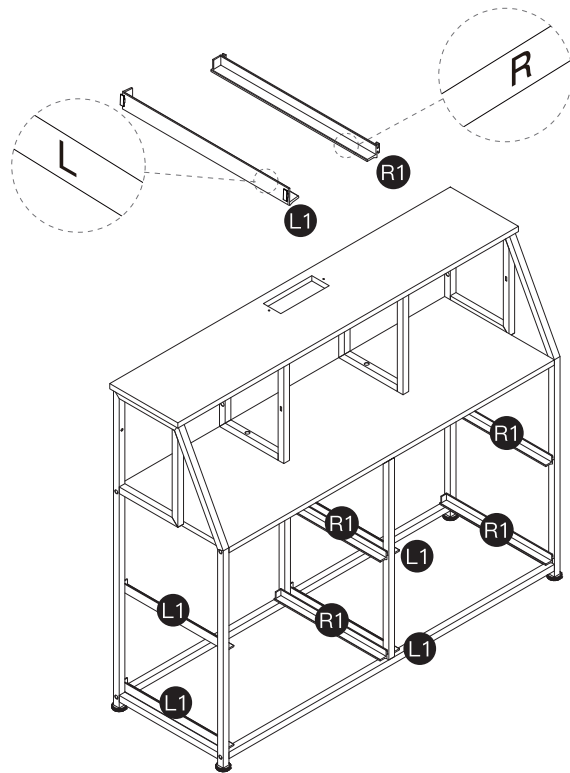
STEP 9



STEP 10



There's a corresponding L and R mark on each part located in a specified spot designed to distinguish them from each other easily.



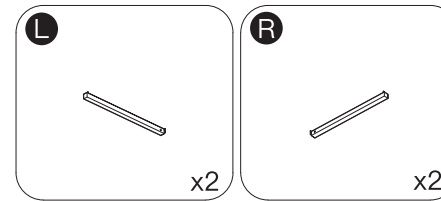
13

Insert the upper part into the square hole.

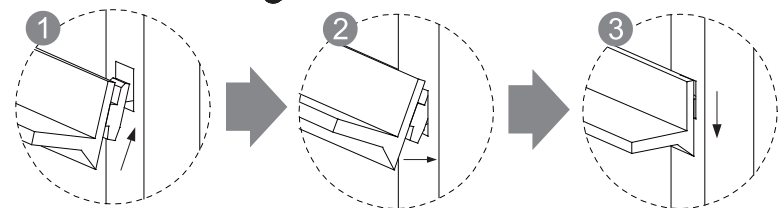
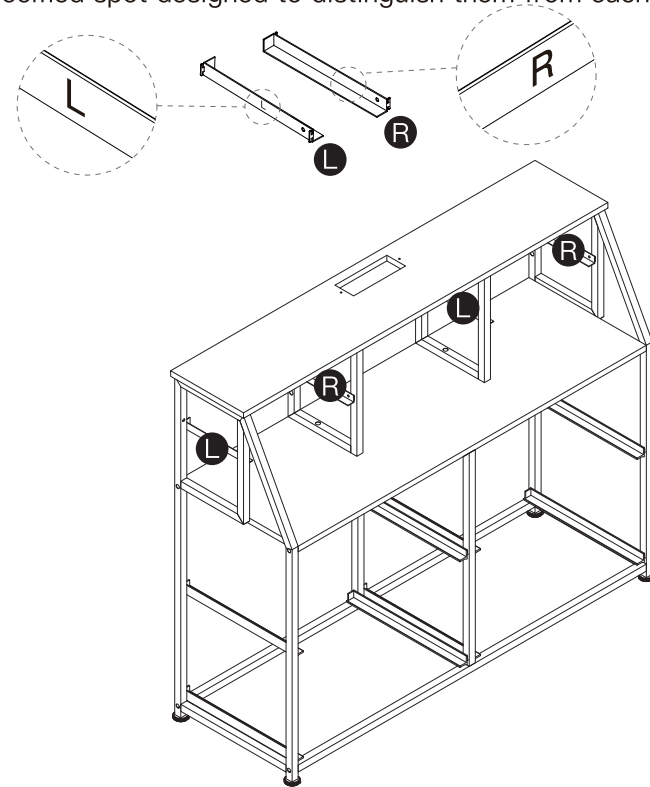
Then insert the rest part horizontally.

Press down the rail to ensure proper installation.

STEP 11



There's a corresponding L and R mark on each part located in a specified spot designed to distinguish them from each other easily.



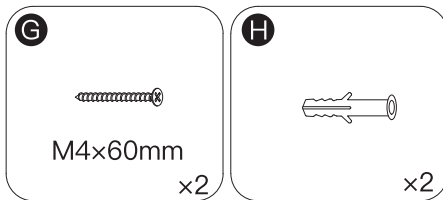
14

Insert the upper part into the square hole.

Then insert the rest part horizontally.

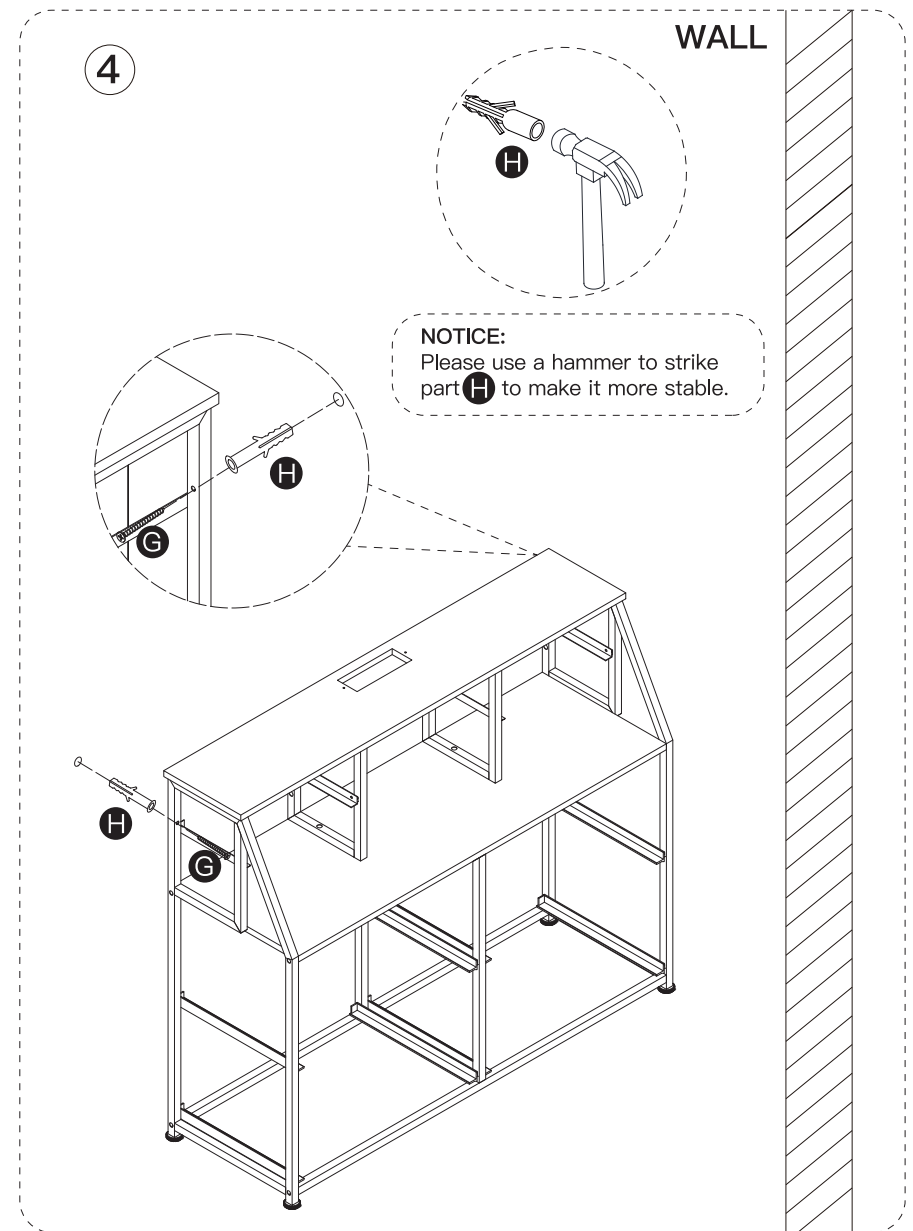
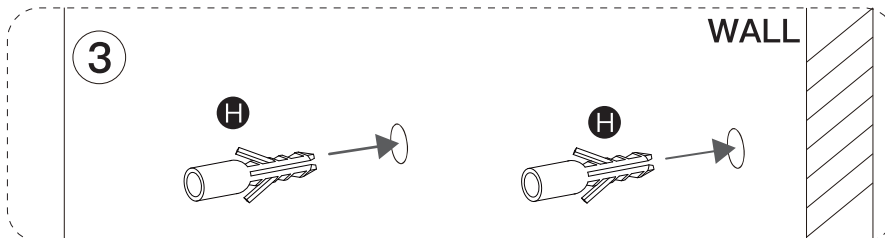
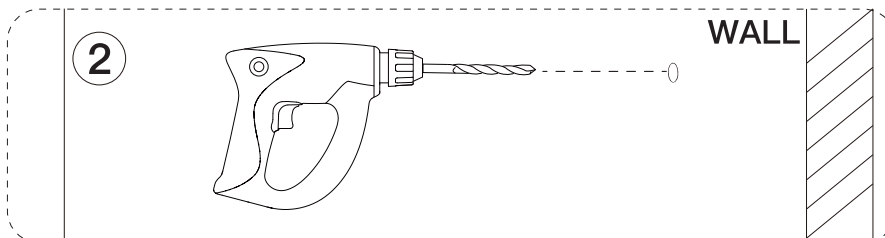
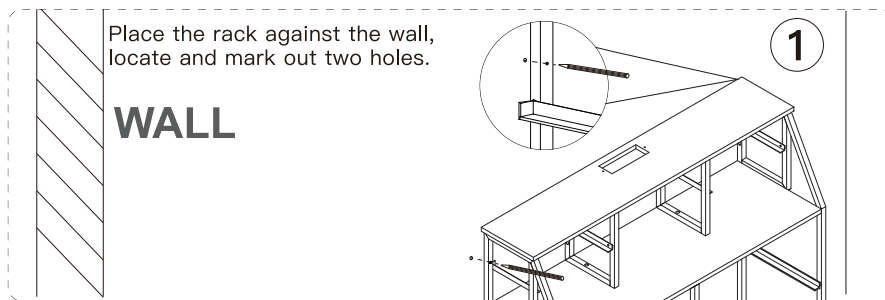
Press down the rail to ensure proper installation.

STEP 12

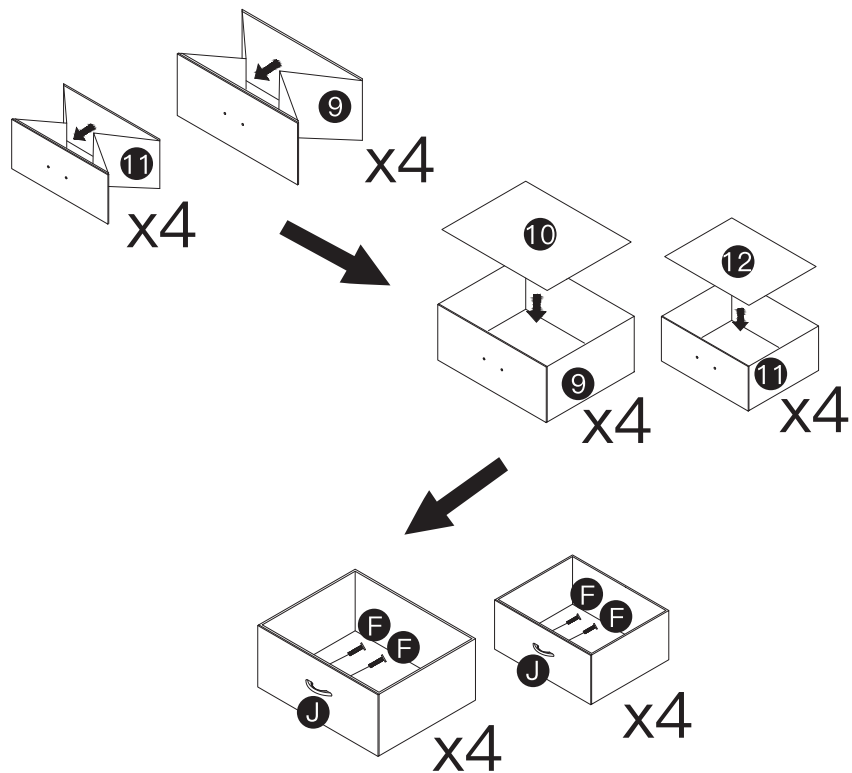
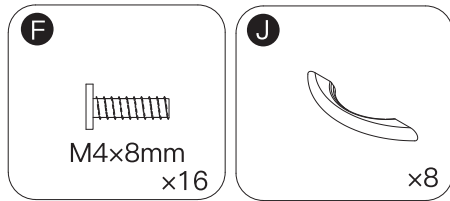
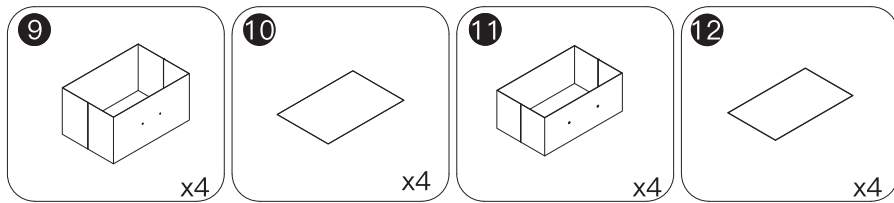


NOTICE:

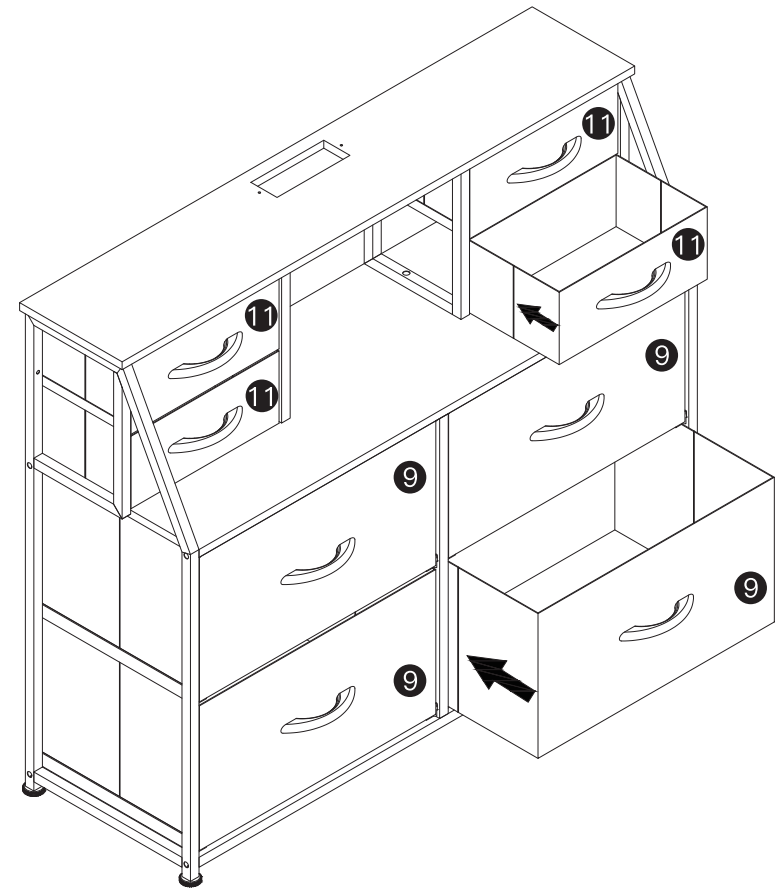
1. Electric drill and hammer does not included in our parts, please prepare it by yourself.
2. Please install Anti-Tip Device Kit on flat walls.
3. Please choose the depth of drilling according to the material and hardness of your wall.



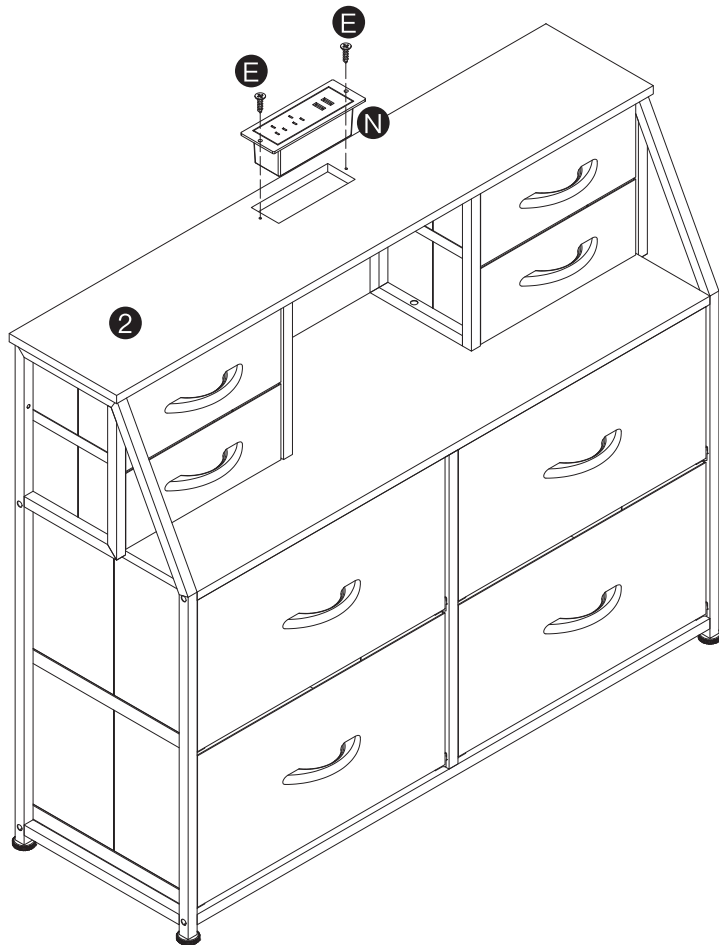
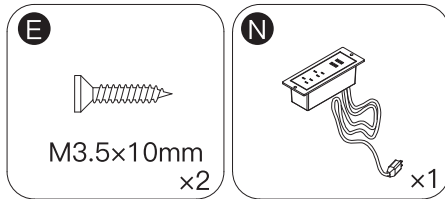
STEP 13



STEP 14



STEP 15



AFTERSALE SERVICE

Dear customer,

Thank you so much for purchasing the product from us, we really appreciate your support.

We are aimed to provide the best shopping experience to our customers. We also want to build a mutually beneficial relationship with our customers, and step further to make our brand both reliable, responsible and recommendable.

We hope that our products could meet your needs and expectations, please consider us again if you need more products for your home and kitchen.

The package would be out of our control during shipping, please contact us through your purchasing channel directly if there is anything wrong with the box or contents. We are always here offering you our service.

We will reply your messages within 24 hours, please kindly wait for the response from our team.

Your comfort and contentment are of utmost importance.

Best Regards,
Customer Care Specialist