

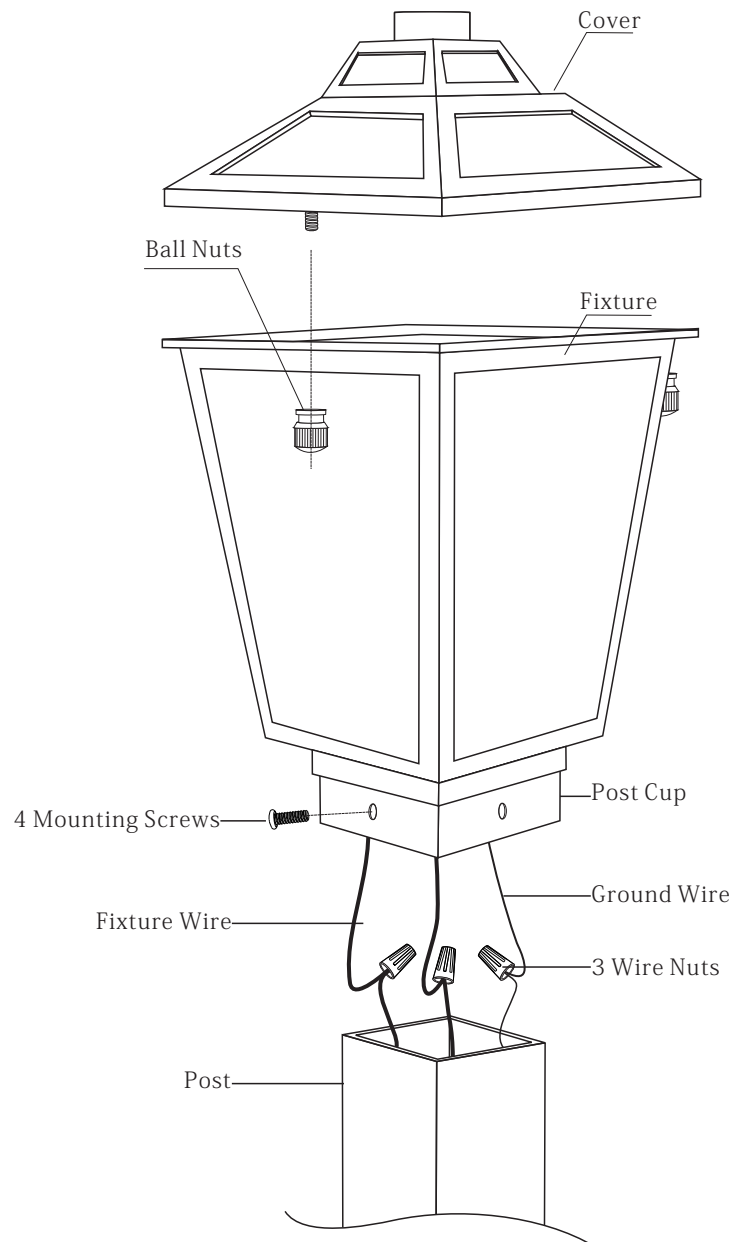
ASSEMBLY AND INSTALLATION INSTRUCTIONS

WARNING: Be sure the electricity to the wires you are working on is shut off, either the fuse is removed or the circuit breaker is shut off.

NOTE: Before installing, consult local electrical codes for wiring and grounding requirements. Carefully remove the fixture from the carton, and check that all parts are included, as shown in figure. Be careful not to misplace any of the screws or parts which are needed for installing the fixture.

Assembly And Installation Step:

1. It will be necessary to remove the packing material from the inside of the lamp and glass.
2. Make wire connections with nuts:
 - a. The black wire from fixture to the black wire from power source.
 - b. The white wires from fixture to the white wire from power source.
 - c. Attached the ground wire from the fixture to the outlet box ground screw or to the green screw located on the crossbar
3. Place the fixture to the post, and then secure with 4 mounting screws.
4. Remove the cover by unscrew the set screw, and install bulb.(not included)
5. Attach the cover onto the fixture, and then secure with 2 ball nuts.
6. Turn on the power at fuse or circuit box.



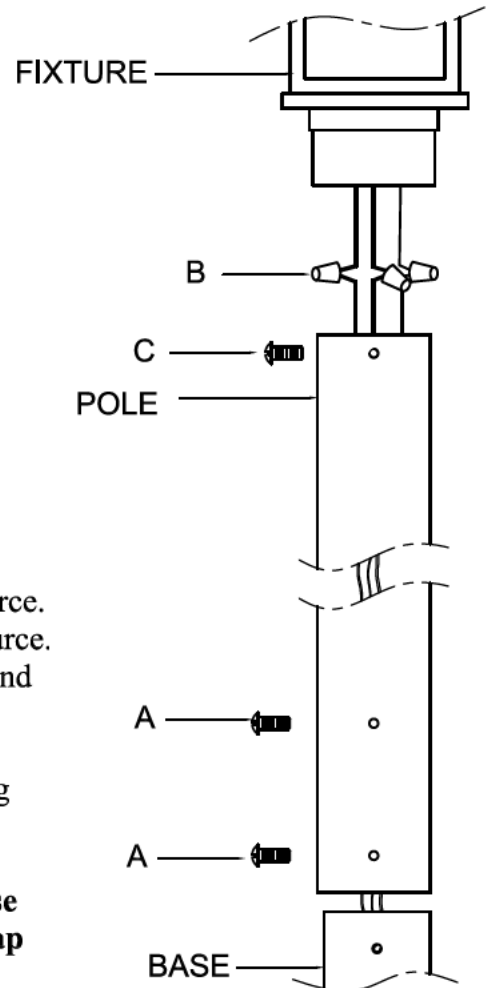
ASSEMBLY AND INSTALLATION INSTRUCTIONS

CAUTION: TO PREVENT POSSIBLE INJURY FROM ELECTRICAL SHOCK, POWER MUST BE TURNED OFF AT MAIN BREAKER PANEL OR FUSE BOX BEFORE INSTALLATION OF THIS ELECTRICAL DEVICE.

INSTALLATION STEPS:

- 1 Insert the underground electrical cable as required from the power source into the inlet hole near the base of the post and continue to feed the cable to the top of the post, allowing sufficient wire leads for splicing purposes.
- 2 Put the pole onto the base and secure with 8 stainless steel Screws (A).
- 3 Make wire connections with wire nuts:
 - a. The black wire from fixture to the black wire from power source.
 - b. The white wire from fixture to the white wire from power source.
 - c. Attach the ground wire from the fixture to the outlet box ground screw or to the green screw located on the crossbar.
4. Place the Fixture to the Post, and then secure with 4 Mounting Screws (C).

NOTE: If you need to reduce the height of the pole, please use electric tool to cut down to the height you need, and use the tap part (included) to drill hole and make screws thread.



ASSEMBLY AND INSTALLATION INSTRUCTIONS

We recommend that you check your local wiring codes and consult an electrical contractor before installation.

SAFETY ALERT!
FIND THE LOCATION OF ANY UNDERGROUND PLUMBING, POWER, LINES, AND OTHER LINES BEFORE DIGGING.

1 Anchor bolt set Installation: (Fig.2)

- a. Dig a hole 12" ~ 15" in diameter and to the required depth (Approx. 12" ~ 16" deep).
- b. Set the 2 Anchor Bolts (E) into the holes of the square installation plate (D).
- c. Pour concrete into the hole up to the level of the ground and sink the anchor set into the concrete. Make sure the top surface of the Square installation plate (D) is level to the ground surface, and the anchor bolts (E) protrude above the square installation plate (D) surface by 4- 1/4"

NOTE: Make sure the concrete is solid and dry before installing the lamp post. (Usually this takes up to 24 hours)

2 Attached the Base to the Anchor Bolts (E), and fastern with 2 washes (B) and 2 Cap nuts (A). (Fig.1)

3 Set the entire post and lantern assembly on to the Base, and secure the lamp post using 8 stainless steel screws (C).

