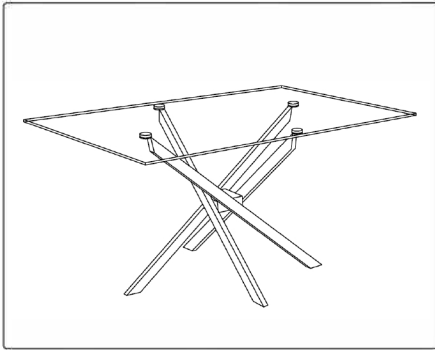


ASSEMBLY INSTRUCTIONS



+ Do Not Use Power Tools



+ Suggested Adults



NOTE:

- 1 Read instructions cover to cover.
- 2 Save all packaging until assembly is completed.

1 IMPORTANT SAFETY INFORMATION

Do not assemble the product if any of the following parts arrived damaged:

Part #① - Table Top

Part #② - Long Legs

Part #③ - Short Legs

Part #④ - Rectangular connector

Tempered Glass Warning : Should the tempered glass chip at ANY point throughout ownership, please immediately discontinue use of the table to avoid injury.

CAUTION : DO NOT place hot objects (100°F or more) directly on the glass surface.

INFORMATION

Assembly Step Use Bolt B , to connect Part 4 to Part 2, use Bolt B to connect Part 4 to Part 3, use Bolt B、C to connect Part 1 to Part 2, use Bolt B、C to connect Part 1 to Part 3

+ Parts Included

①

1PC



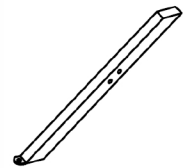
②

2PCS



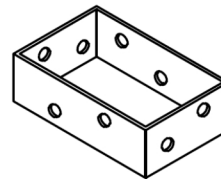
③

2PCS



④

1PC



+ Hardware Included

A



Allen wrench (5mm)

1PC

B



Bolt (M8*12)

12PCS

C

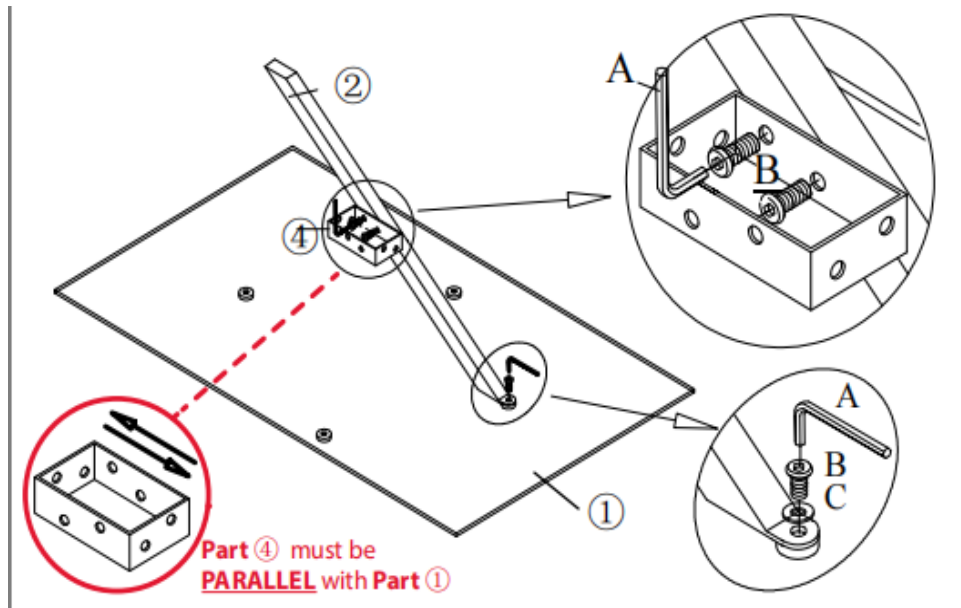


Flat Washer (φ 18*φ 8)

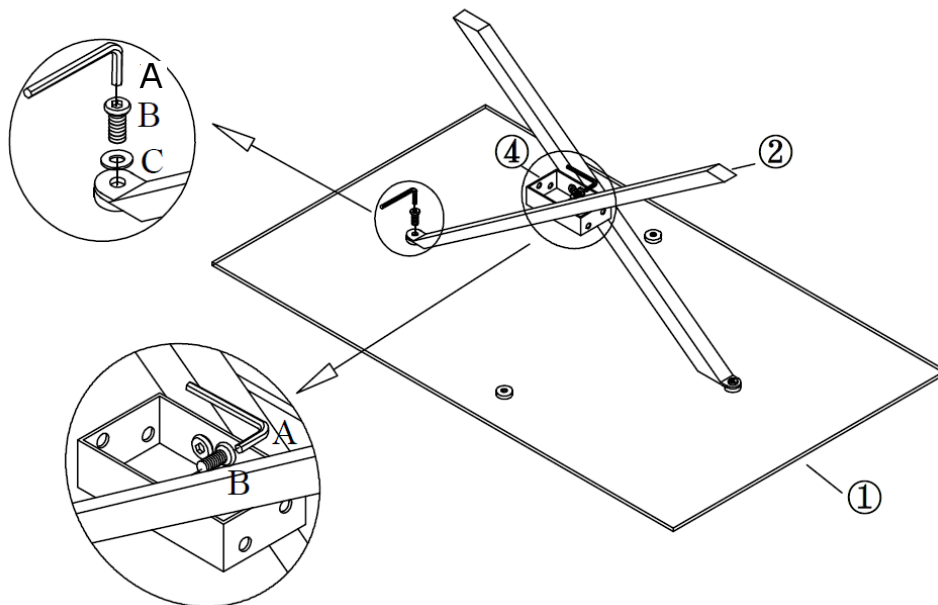
4PC

ASSEMBLY INSTRUCTIONS

1

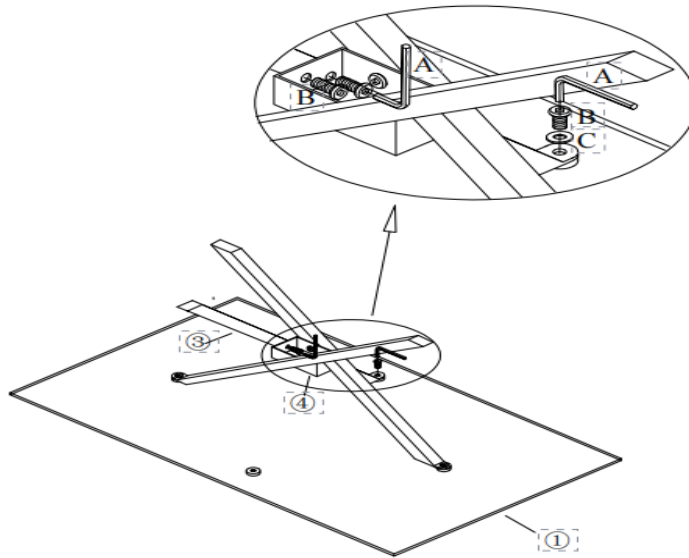


2



ASSEMBLY INSTRUCTIONS

3



4

Ensure Part 4 is **PARALLEL** to Part 1 (Table Top) before completing Step 4

4

