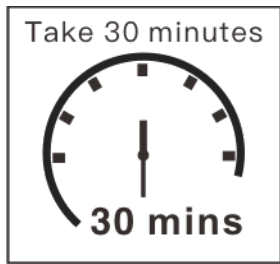


# **Barber Chair**

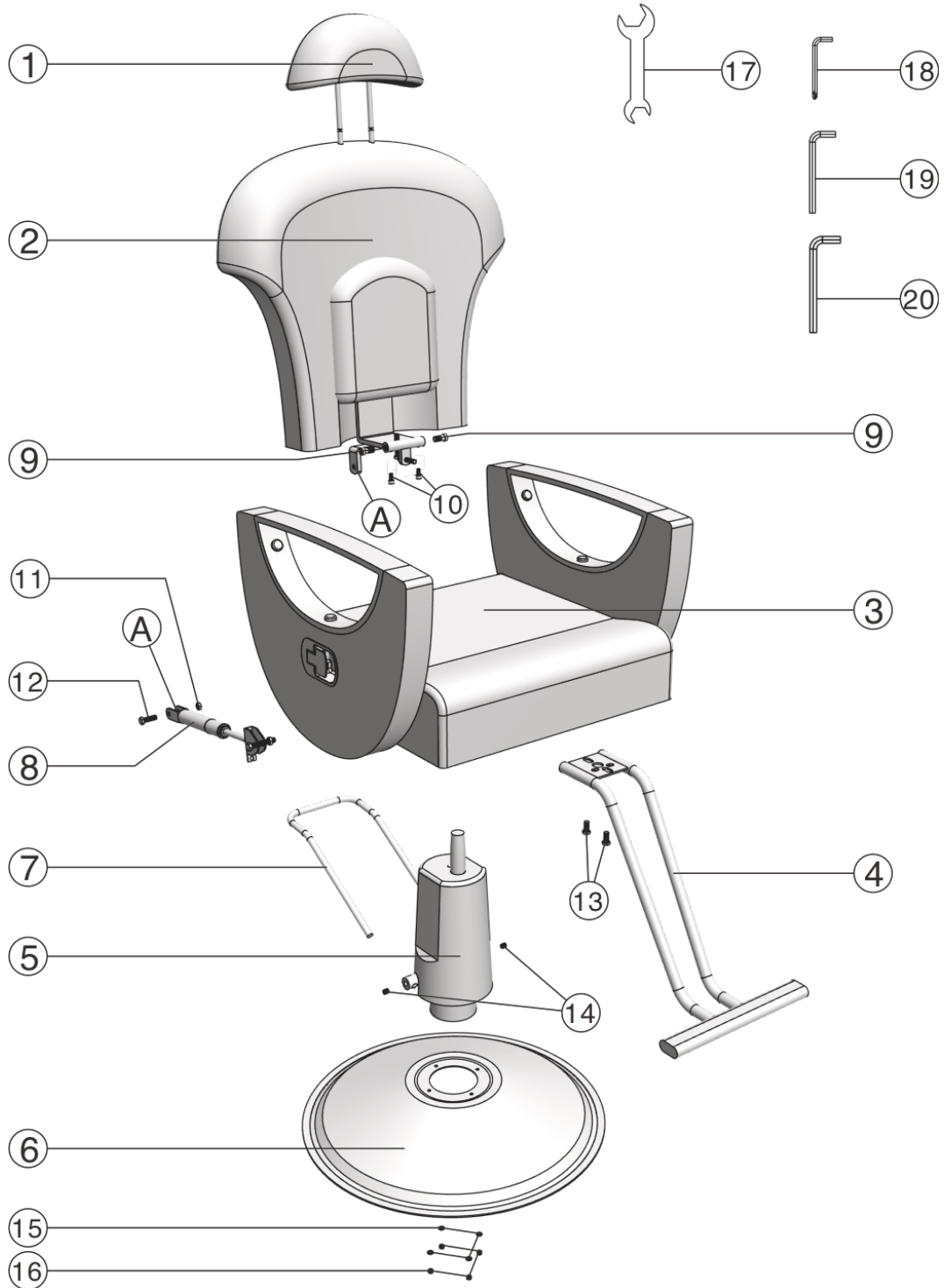
---

## **Instruction Manual**

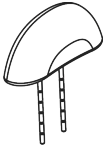
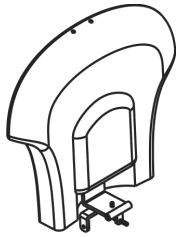
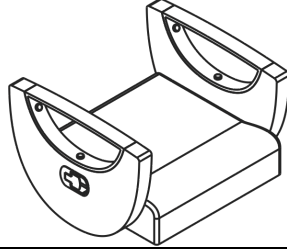
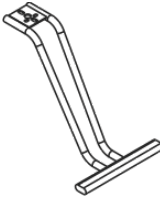

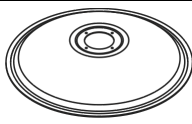
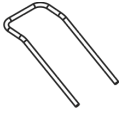
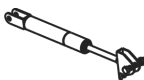








**CAUTION!** Please read through this manual before assembling, installing or using the product to ensure safe and correct use.



## 1.1 Feature and Specification







## Parts

| Code | Image   | Parts Name                | Qty(Pcs) | Code | Image   | Parts Name               | Qty(Pcs) |
|------|---|---------------------------|----------|------|---|--------------------------|----------|
| 1    |    | Headrest                  | 1        | 2    |     | Backrest                 | 1        |
| 3    |    | Seat                      | 1        | 4    |     | Footrest                 | 1        |
| 5    |    | Oil Pump                  | 1        | 6    |     | Base                     | 1        |
| 7    |   | Pump Lever                | 1        | 8    |    | Reclining Aero bar       | 1        |
| 9    |  | Allen Socket Screw M10*20 | 2        | 10   |  | Allen Socket Screw M6*12 | 2        |
| 11   |  | Hex Nut M8                | 1        | 12   |  | Hex Screw M8*30          | 1        |
| 13   |  | Hex Screw M8*16           | 2        | 14   |  | Lock Nut M8              | 2        |
| 15   |  | Washer M6                 | 4        | 16   |  | Hex Nut M6               | 4        |

*Some screws and nuts are pre-installed on the components and can be removed and used during installation*

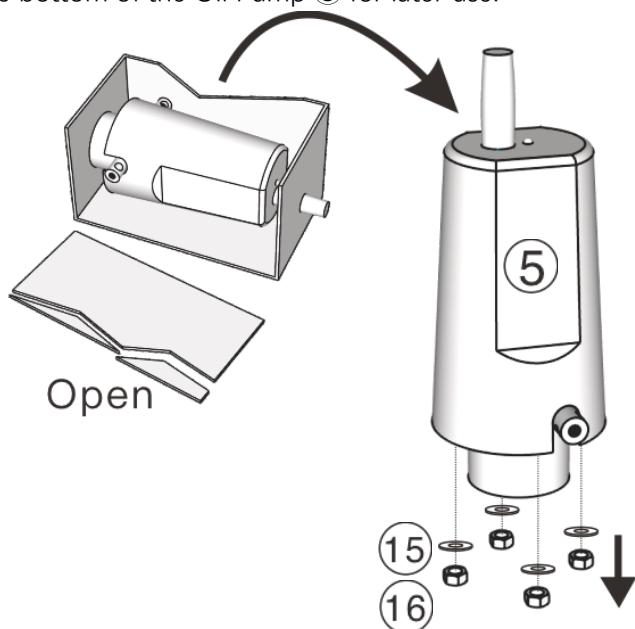
## Tools

| Code | Image   | Tools Name    | Qty(Pcs) |
|------|---|---------------|----------|
| 17   |  | Wrench        | 1        |
| 18   |  | Allen Key 4mm | 1        |
| 19   |  | Allen Key 5mm | 1        |
| 20   |  | Allen Key 6mm | 1        |

## 1.2 Installation Diagram

### Step One:

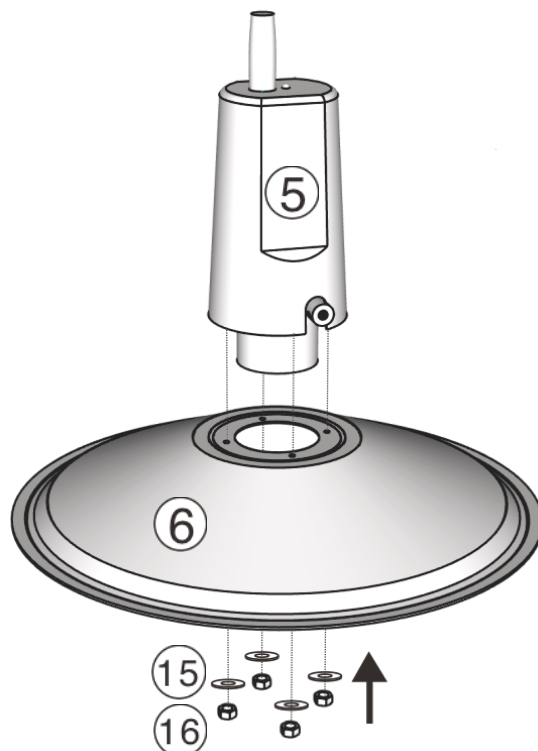
Open the wooden box and take out the Oil Pump ⑤, unscrew the four Hex Nuts M6 ⑩ and Washers ⑪ from the bottom of the Oil Pump ⑤ for later use.



Four Hex Nuts M6 ⑩ and four Washers ⑪ were pre-installed on the Oil Pump ⑤

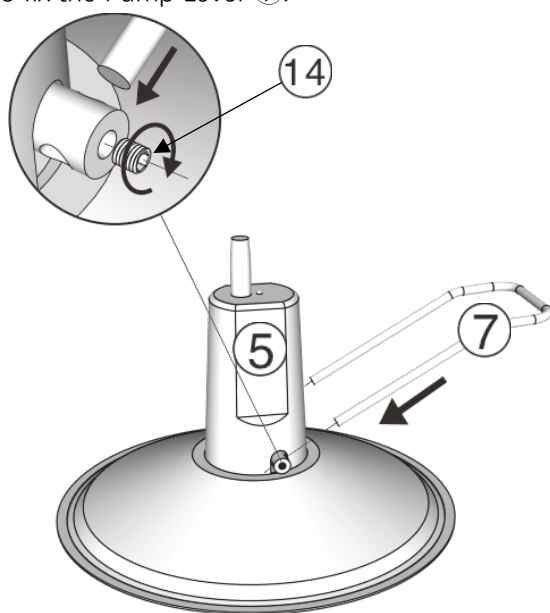
### Step Two:

Install the Base ⑥ to the bottom of the Oil Pump ⑤ and tighten the four Hex Nuts M6 ⑩ and Washers ⑪.



### Step Three:

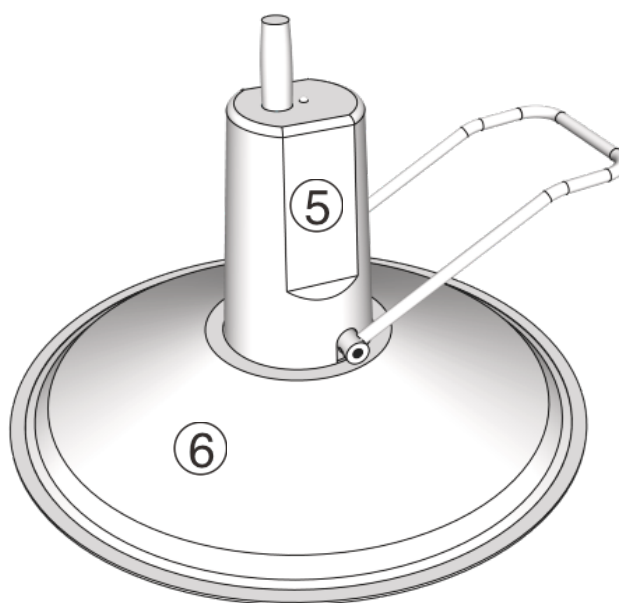
Loosen the two Lock Nuts M8 ⑬, install the Pump Lever ⑦ to the Oil Pump ⑤, and tighten the two Lock Nuts M8 ⑬ to fix the Pump Lever ⑦.



Two Lock Nuts M8 ⑬ were preinstalled on the Oil Pump ⑤

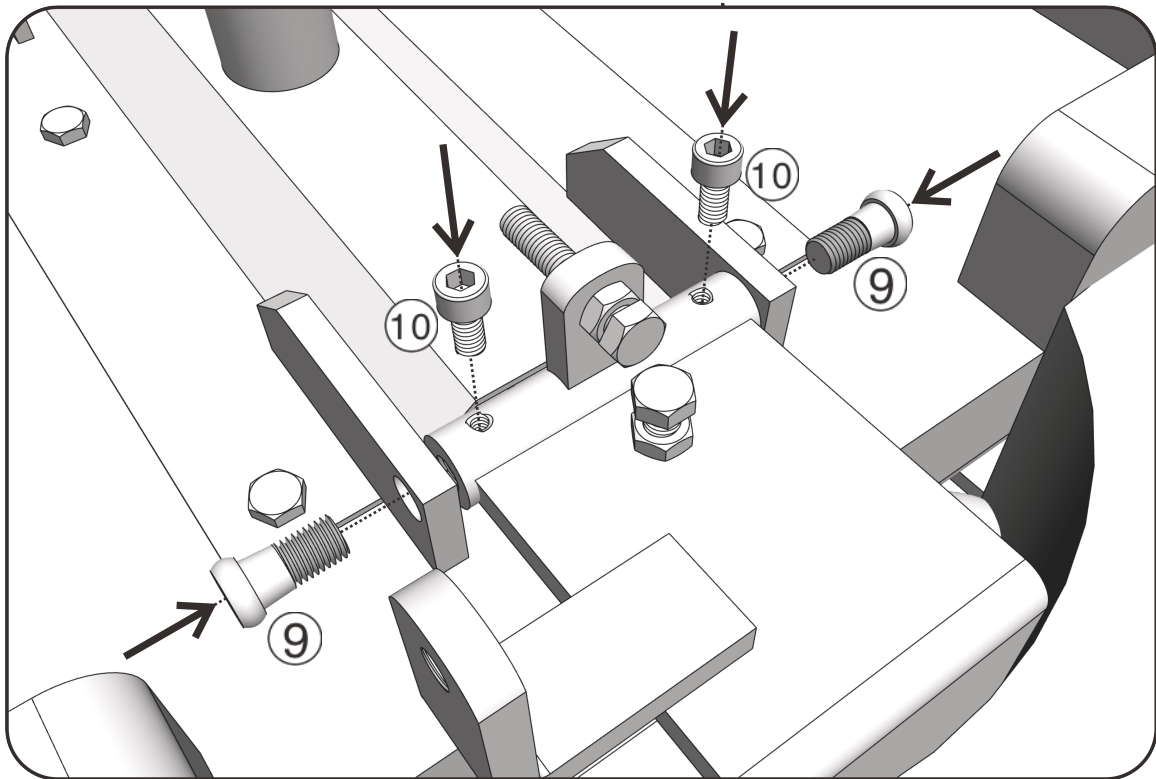
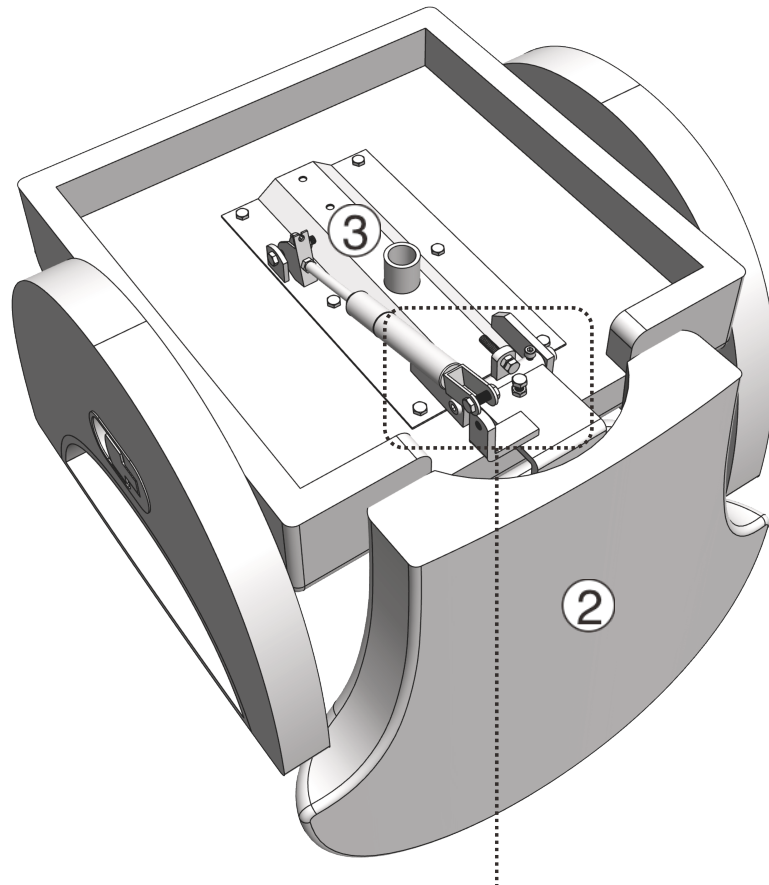
### Step Four:

The Base ⑥ and Oil Pump ⑤ are installed and set aside for later use.



**Step Five:**

Connect the Backrest ② and Seat ③ with two Allen Socket Screws M10\*20 ⑨ and Secure them with two Allen Socket Screws M6\*12 ⑩.

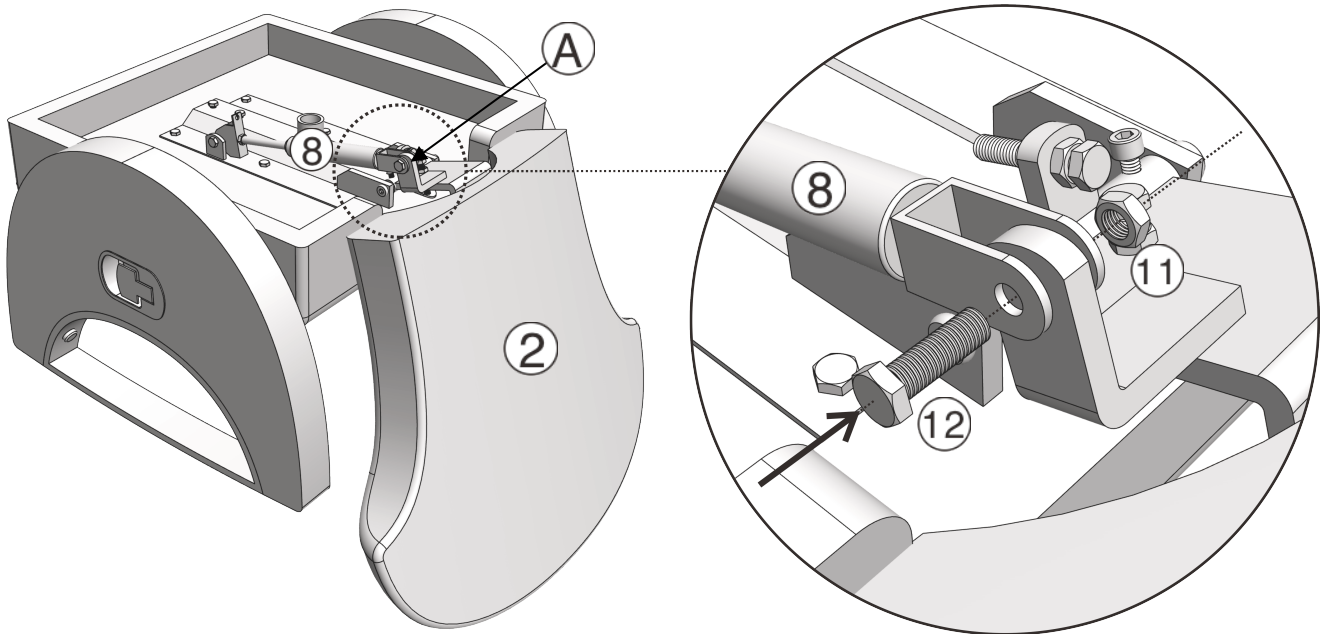


Two Allen Socket Screws M10\*20 ⑨ and two Allen Socket Screws M6\*12 ⑩ were packed in the accessory kit (a small bag).

**Step Six:**

Connect the Reclining AeroBar (8) to the Backrest (2) with Hex Screw M8\*30 (12) and Hex Nut M8 (11).

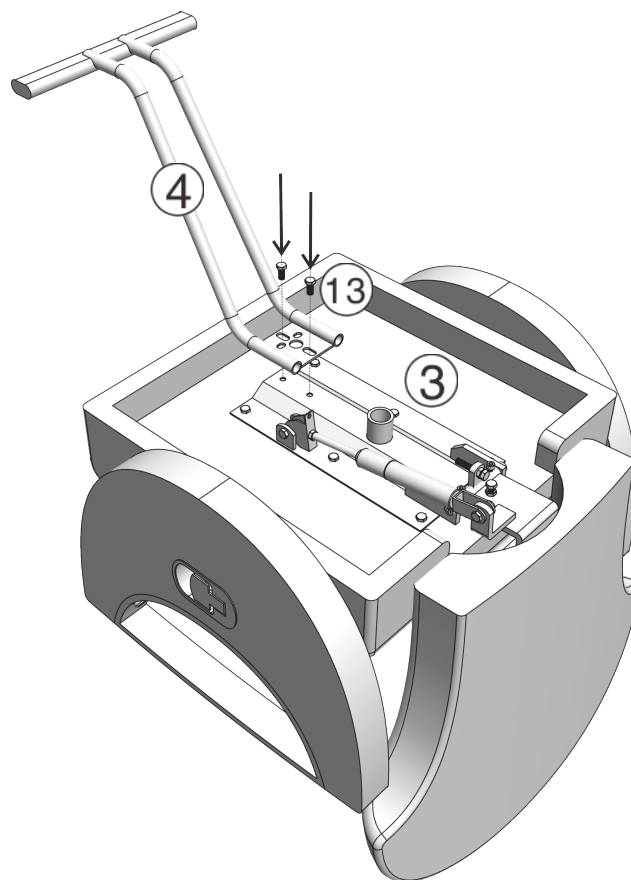
**Attention:** The A end of the Reclining AeroBar (8) is connected to the A end of the Backrest (2).



Hex Screw M8\*30 (12) and Hex Nut M8 (11) were preinstalled on Reclining AeroBar (8) at the back of the Seat.

**Step Seven:**

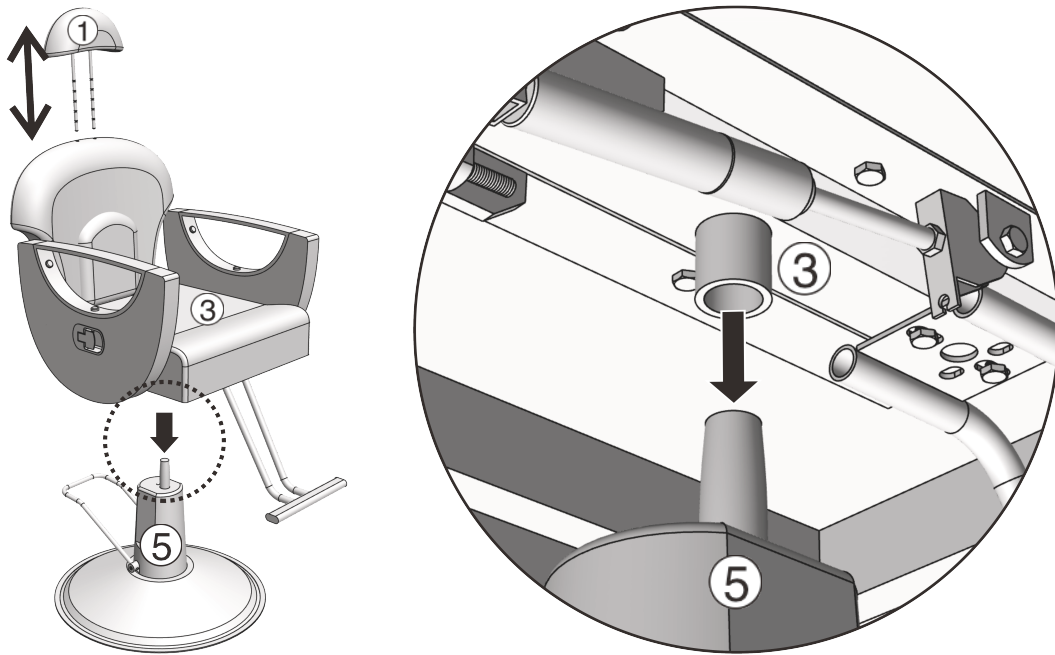
Secure the Footrest (4) with two Hex Screws M8\*16 (13) to the back of the Seat (3).



Two Hex Screws M8\*16 (13) were preinstalled on the back of the Seat (3).

**Step Eight:**

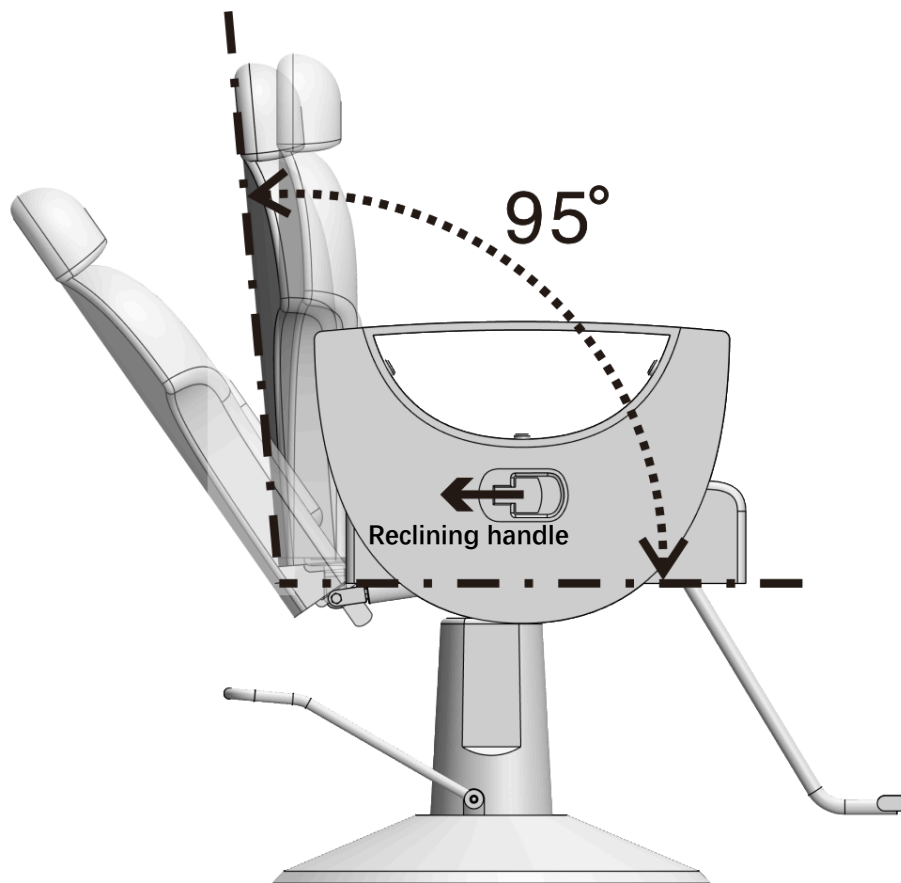
Combine the Seat: Attach the assembled seat to the pump and insert the Headrest ①.



**Note:** No screws are needed to connect the seat and the base. The longer you seat, the tighter it gets.

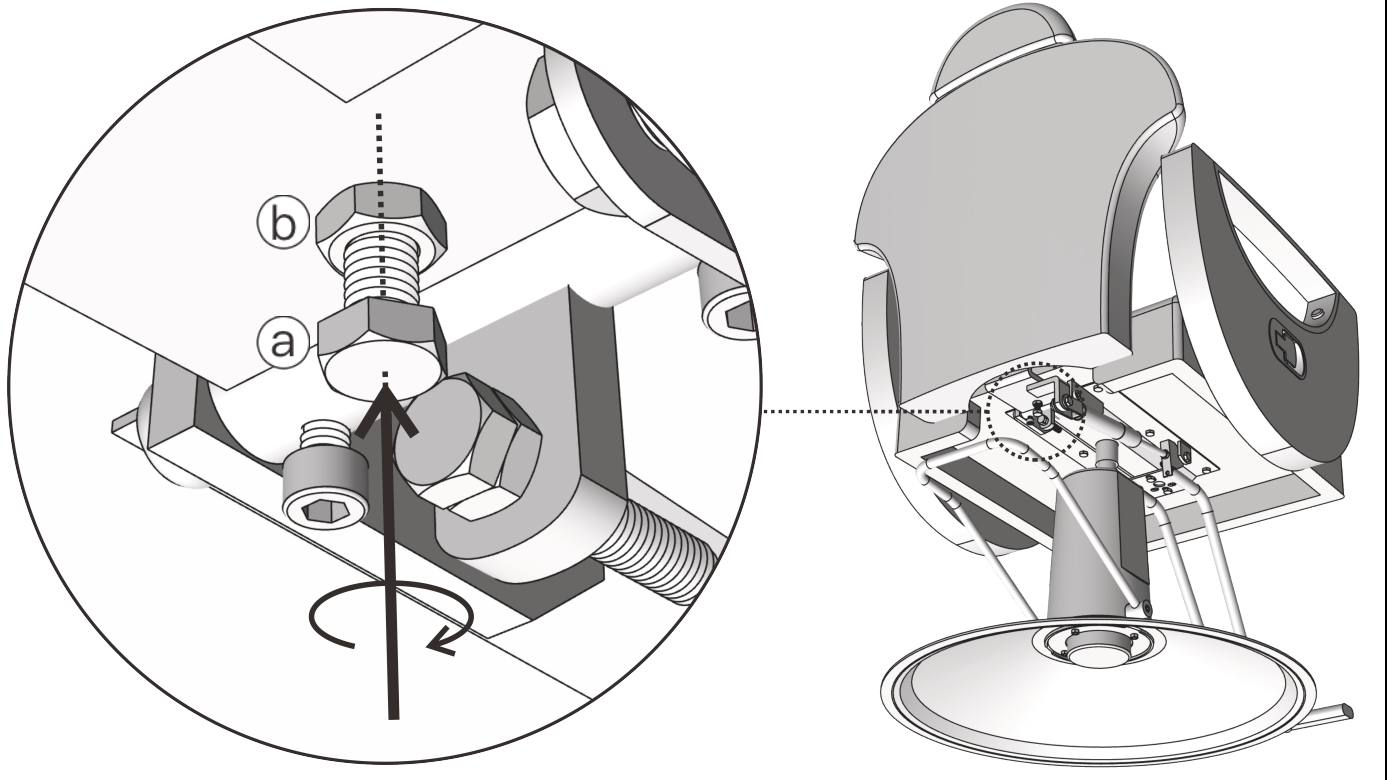
**Step Ninth:**

Pull the reclining handle on the right side of the seat back without letting go, while leaning back hard while the backrest going down. Release the reclining handle at your desired angle and fix the backrest angle at around 95 degrees.

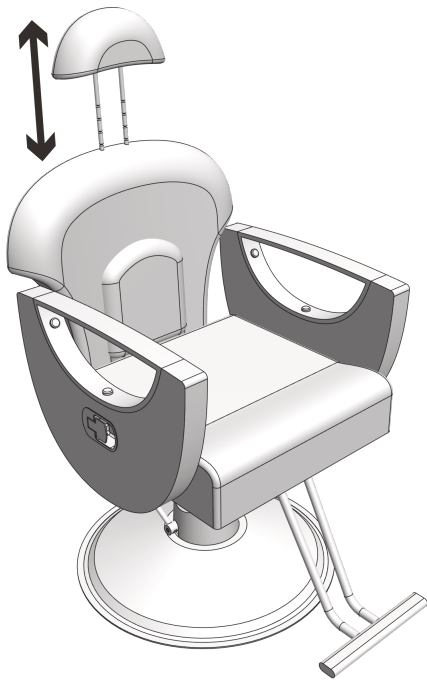


### Step Ten:

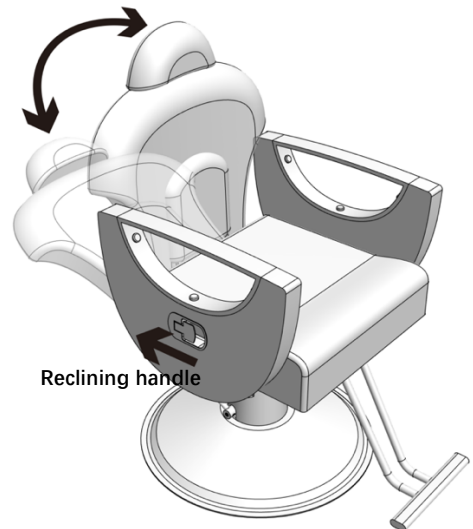
At the back of the seat, rotate the screw ① clockwise to fix the angle of the backrest and lock it with the nut ②.



## 1.3 Operation Guide

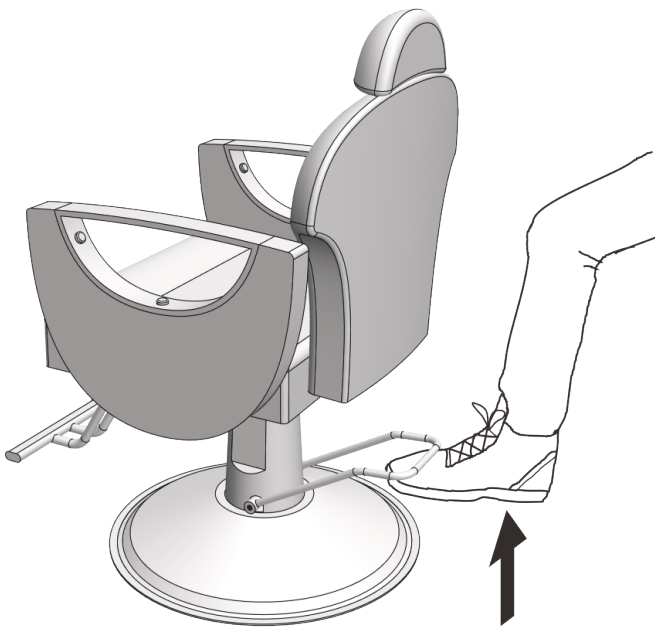



**The height of the headrest:** The height of the headrest can be adjusted by pulling and pushing up and down the headrest.

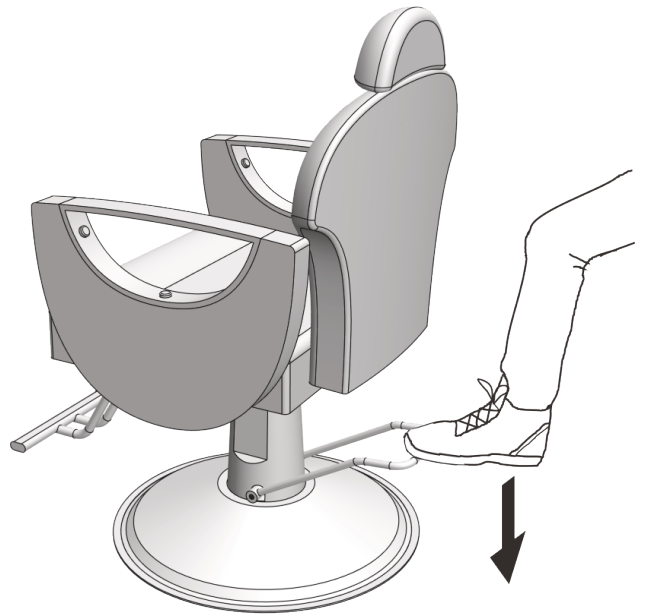



**Reclining the backrest:** Sit on the chair and pull the handle on the right side of the seat back without letting go, while leaning back hard while the backrest is down. Release the handle at the desired angle and fix the backrest angle.

**Backrest rebound upright:** Return to the body upright, pull the handle on the right side of the seat back again, and the seat back rebounds and stands upright.

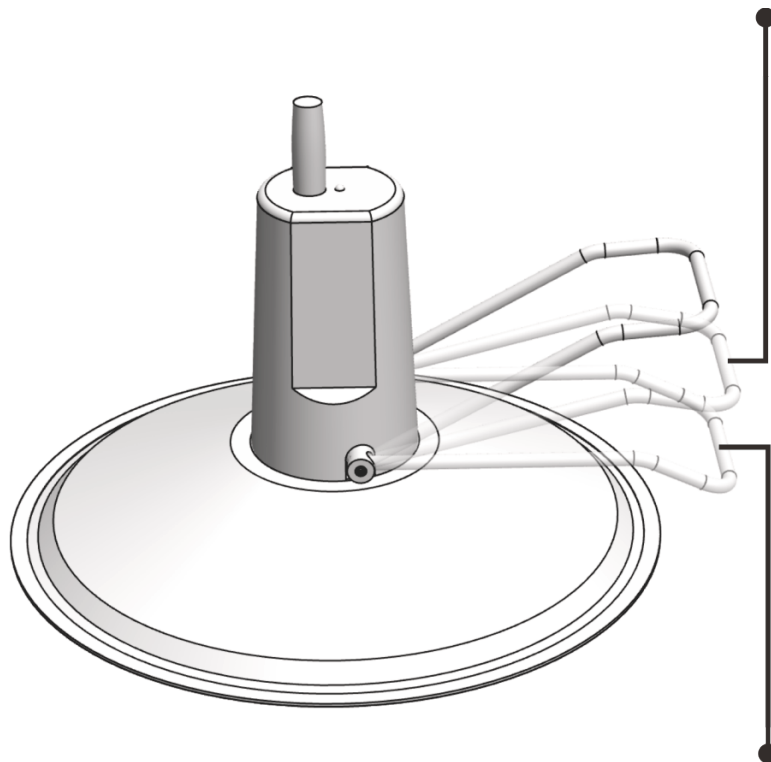


 **Lock:** Lift the pump lever upward, and the rotation and lifting functions are locked.



 **Unlock:** Press the pump lever down, and the rotation and lift functions resume.

**Seat up:** Foot down on the pump lever 5-10 cm, and repeat. Don't step too deep!



**Seat down:** Downhill the pump lever and hold still to lower the seat.

## 1.4 Trouble and Solution

| No. | Trouble                       | Solution  |
|-----|-------------------------------|---|
| 1   | Pump not working              | <p>Sit on the chair, continuously press down the pump lever halfway, chair will go up gradually.</p> <p>Sit on the chair, stamp the pump lever, and keep on hold, chair will go down slowly.</p> <p>Lift the pump lever and hold, the chair rotation function is locked.</p> <p>Press down the pump lever to release, the chair rotation function is working.</p> <p>The details please see the images of "1.3 Operation Guide" in Page 8.</p>  |
| 2   | Abnormal sound of pump        | Since it is a new product, there is some gas in the pump. please raise and lower the chair several times to exhaust air.  |
| 3   | Some grease on the pump shaft | It's a normal phenomenon.   |
| 4   | Rotation difficultly          | <p>1) Rotating function locked: Please unlock the rotating function, see picture 2 of "1.3 Operation Guide" on page 8 of instruction manual. Please press down the pump lever and turn the chair at the same time, the problem will be solved.</p> <p>2) Since the pump has the brake function to make the chair stop rotation, so once lift the pump lever and hold, the chair rotation function is locked. Sometimes the brake maybe so tight cause the chair rotation difficultly. Please lift the pump lever to the highest position, and then press it down, after doing it several times, the rotation function will be easier.</p> |
| 5   | Chair wobble                  | The screws (parts 16) under the pump getting loose: Please tighten these screws.  |
| 6   | Reclining not working         | Please loose the screw of the reclining aerobar which connected with the reclining handle. Or contact us to get a video instruction.  |
| 7   | Other issues                  | <p>If you have any other problems, please Email to <a href="mailto:info@artisthandbeauty.com">info@artisthandbeauty.com</a></p> <p>Our professional team will provide the technical support by pictures or videos.</p>  |

## 1.5 Maintenance

| No. | Maintenance Parts    | Maintenance Method  |
|-----|----------------------|---|
| 1   | Leather surface care | <p>1. Avoid using hard objects to scratch the leather surface. Leather fabrics are generally more durable but can be easily scratched by sharp objects.</p> <p>2. Leather surfaces require regular monthly maintenance. Please use leather hardener for maintenance. If the surface is stained with dye, perm, or other difficult-to-clean items, try wiping with a cotton cloth dipped in a little gasoline or seek professional help.</p> |
| 2   | Pump care            | The weight capacity we advertised is static capacity, please do not use it for a long time with maximum load.   |
| 3   | Base care            | The base surface is electroplated to prevent rust and corrosion. Do not use sandpaper or liquids to clean, use a dry cotton cloth once a month.   |

## 1.6 Customer Service

Any question or suggestion please feel free to contact our Customer Service Team

**E-mail: [info@artisthandbeauty.com](mailto:info@artisthandbeauty.com)**