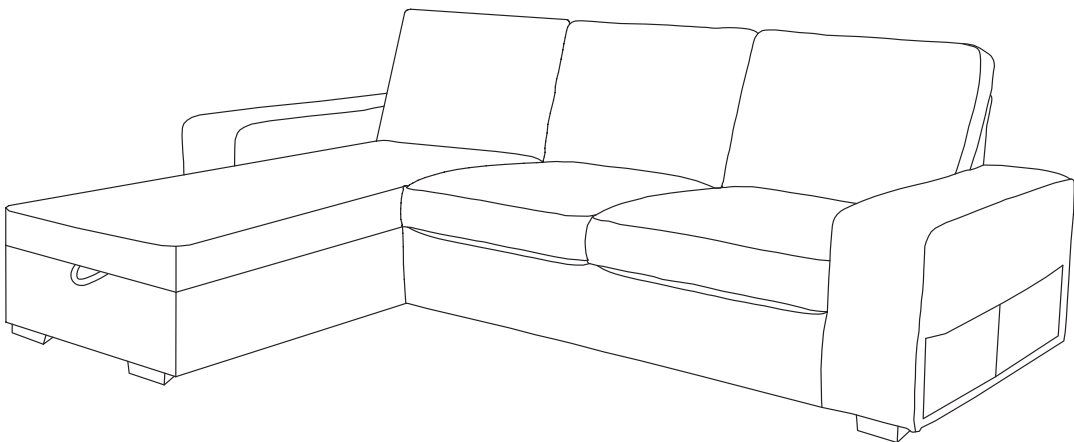
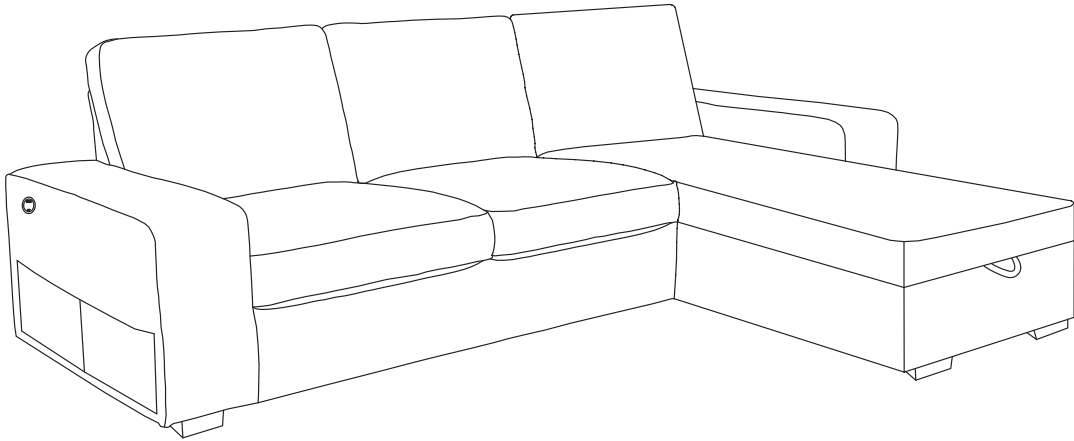
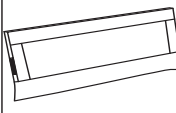
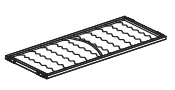

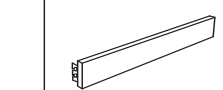

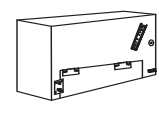
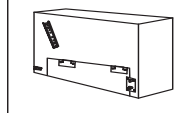
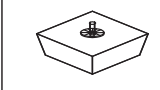


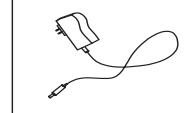


## Installation & Assembly

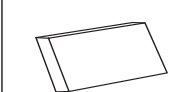

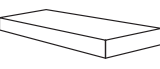

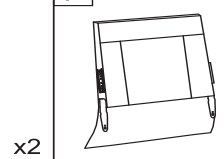



# ASSEMBLY INSTRUCTION

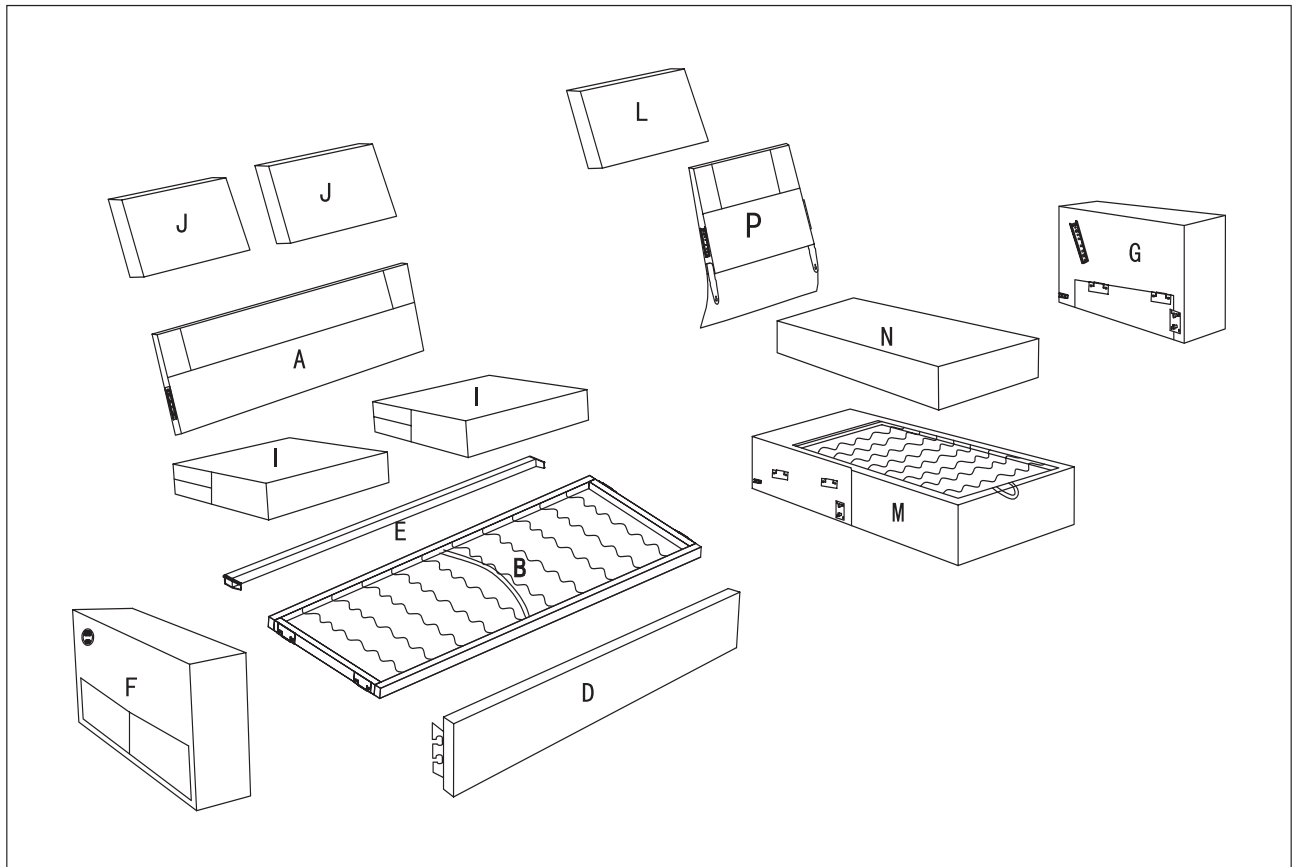
## LOVESEAT

<b>A</b>  x1	<b>B</b>  x1	<b>C</b>  x1	<b>D</b>  x1	<b>E</b>  x1	<b>F</b>  x1	<b>G</b>  x1
Back bracket	Seat frame	Middle leg	Foreseat plate	Handrail connecting rod	Handrail	Handrail
<b>H</b>  x6	<b>I</b>  x2	<b>J</b>  x2	<b>K</b>  x1			
Feet	Seat cushion	Back cushion	Power cord			

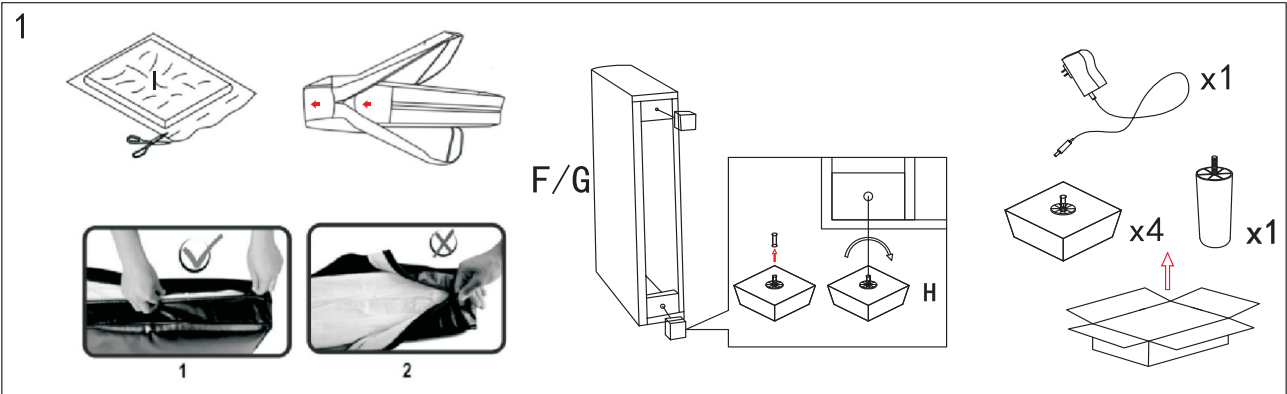
## CHAISE

<b>L</b>  x1	<b>M</b>  x1	<b>N</b>  x1	<b>O</b>  x2	<b>P</b>  x1	<b>Q</b>  x1
Chaise back cushion	Chaise Seat frame	Chaise seat cushion	Feet	Chaise Back bracket	Allen Key

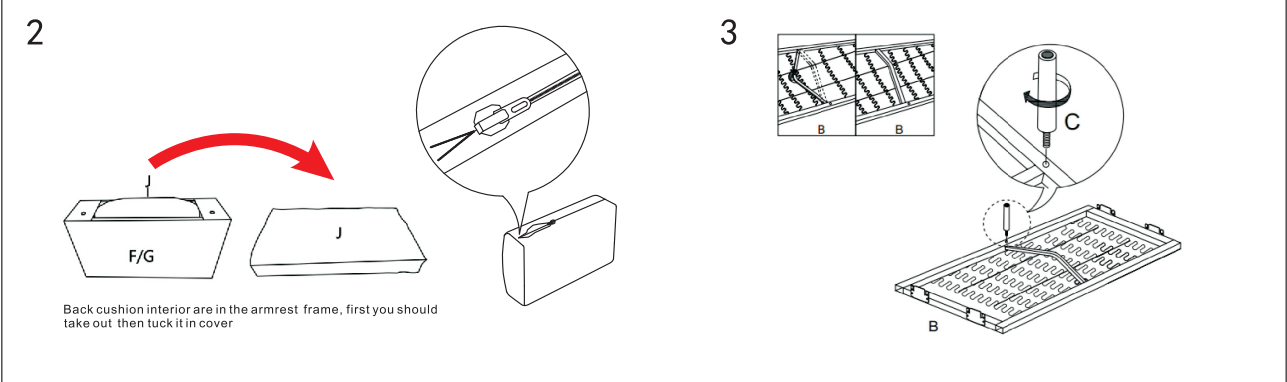
1



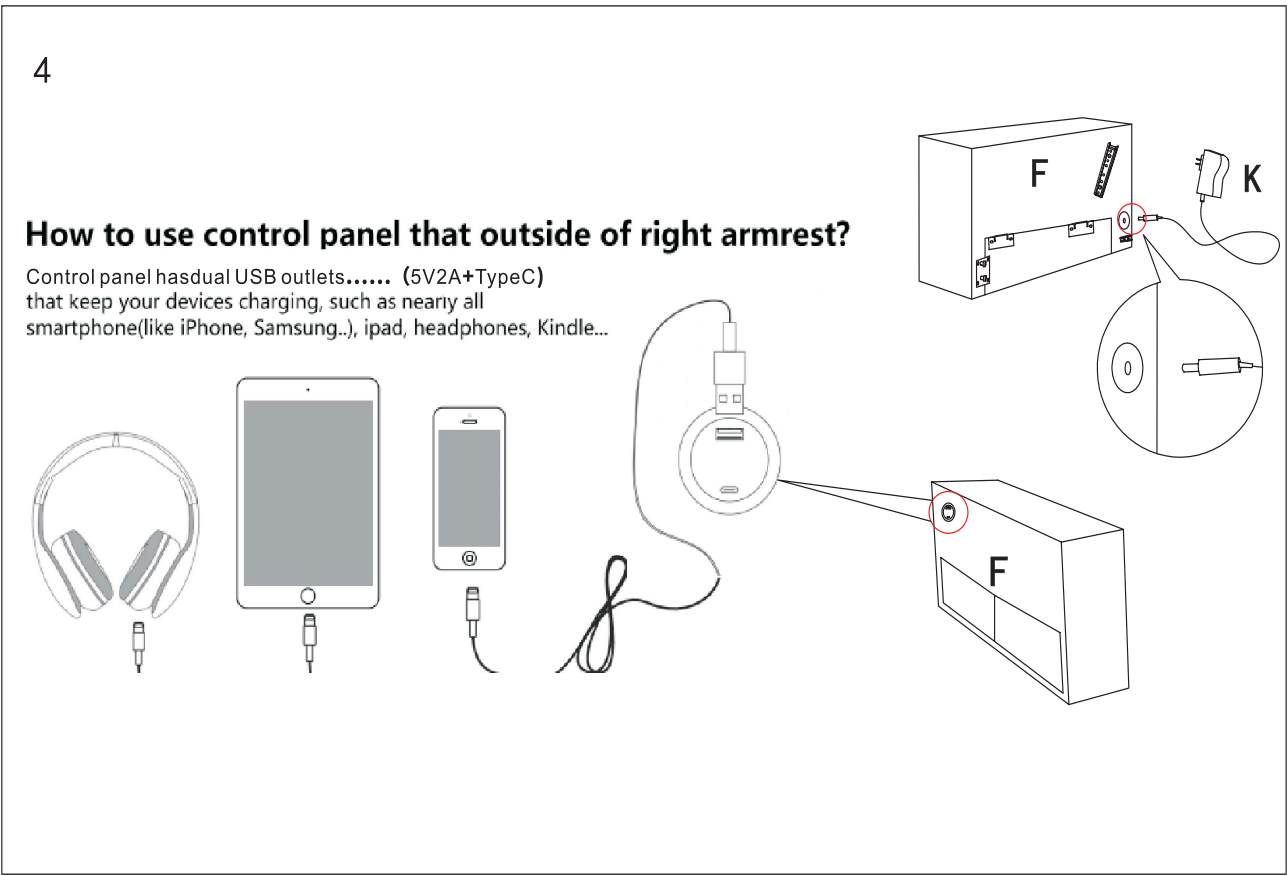
2



1. Seat and back cushions may take 24-48 hours to fully expand, which will allow wrinkles and indentations caused by packing to fade.  
 2. To close the zipper, please follow diagram 1. Failure to follow this could result in damage to the zipper.

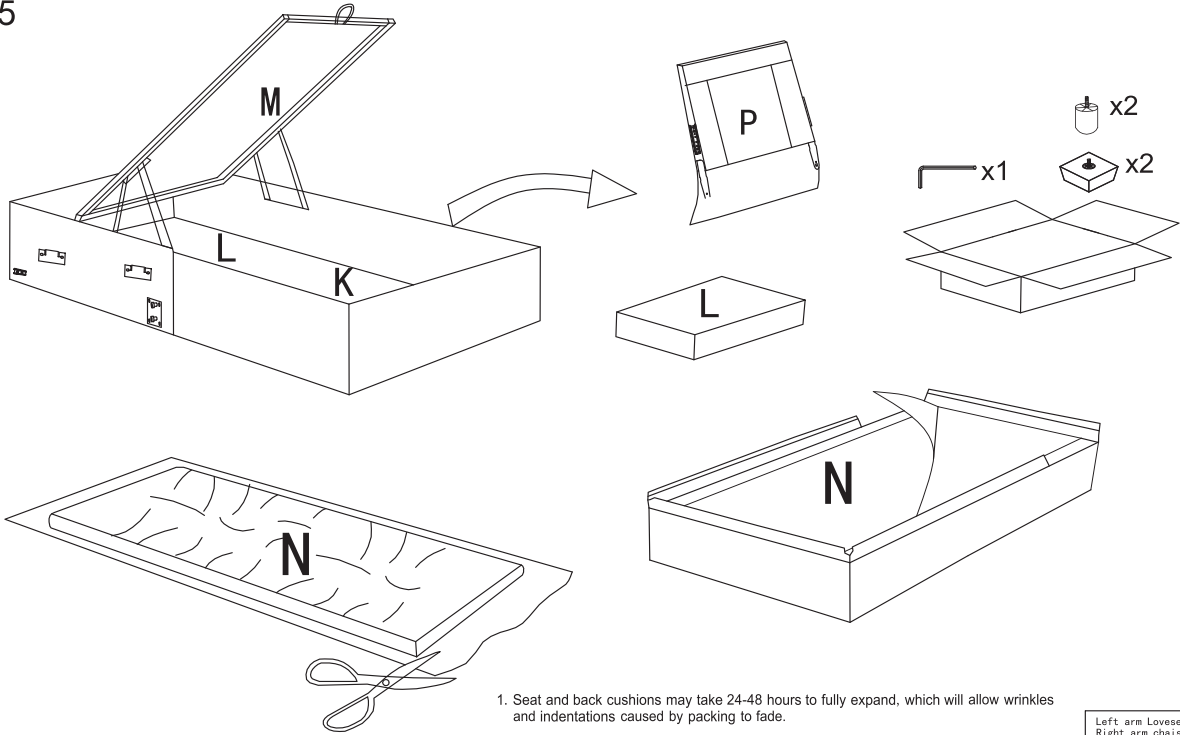


3



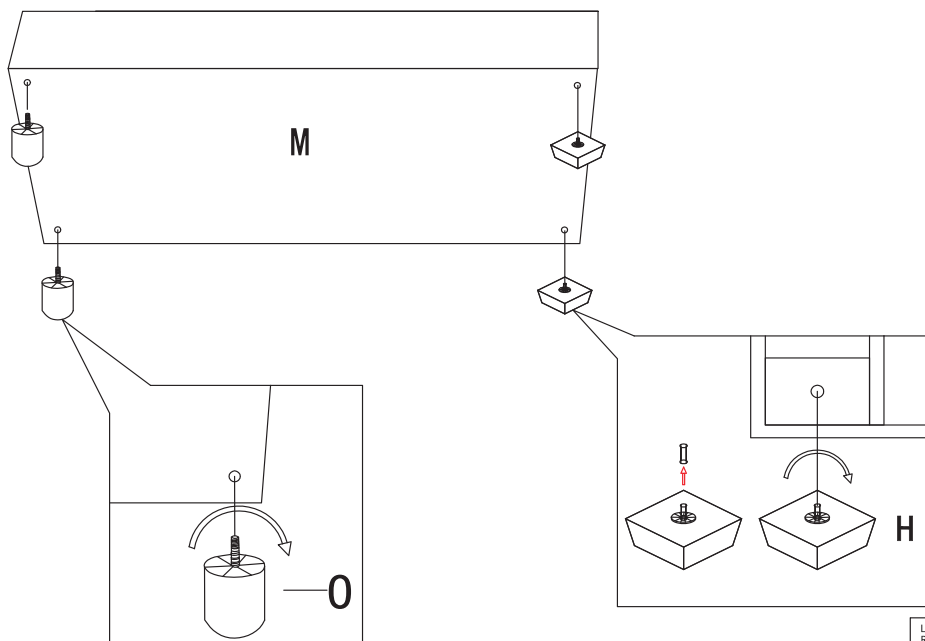
4

5



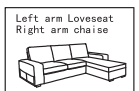
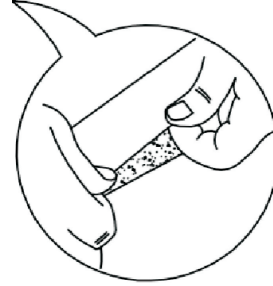
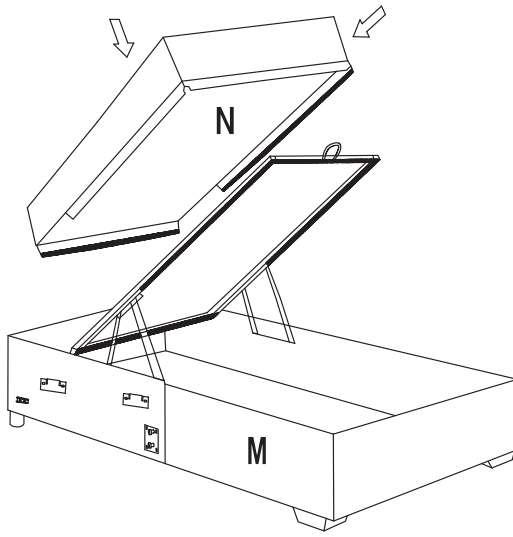
5

6



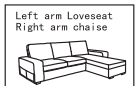
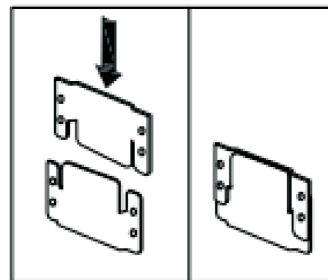
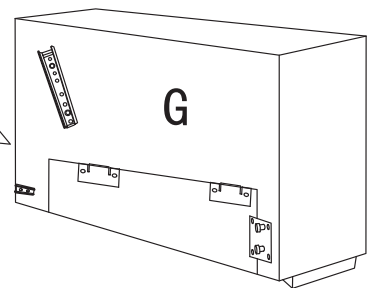
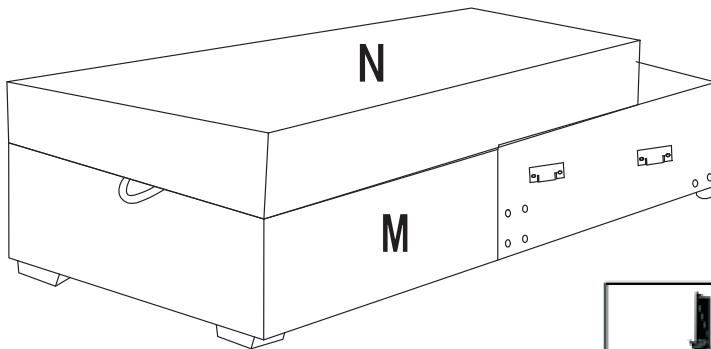
6

7



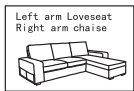
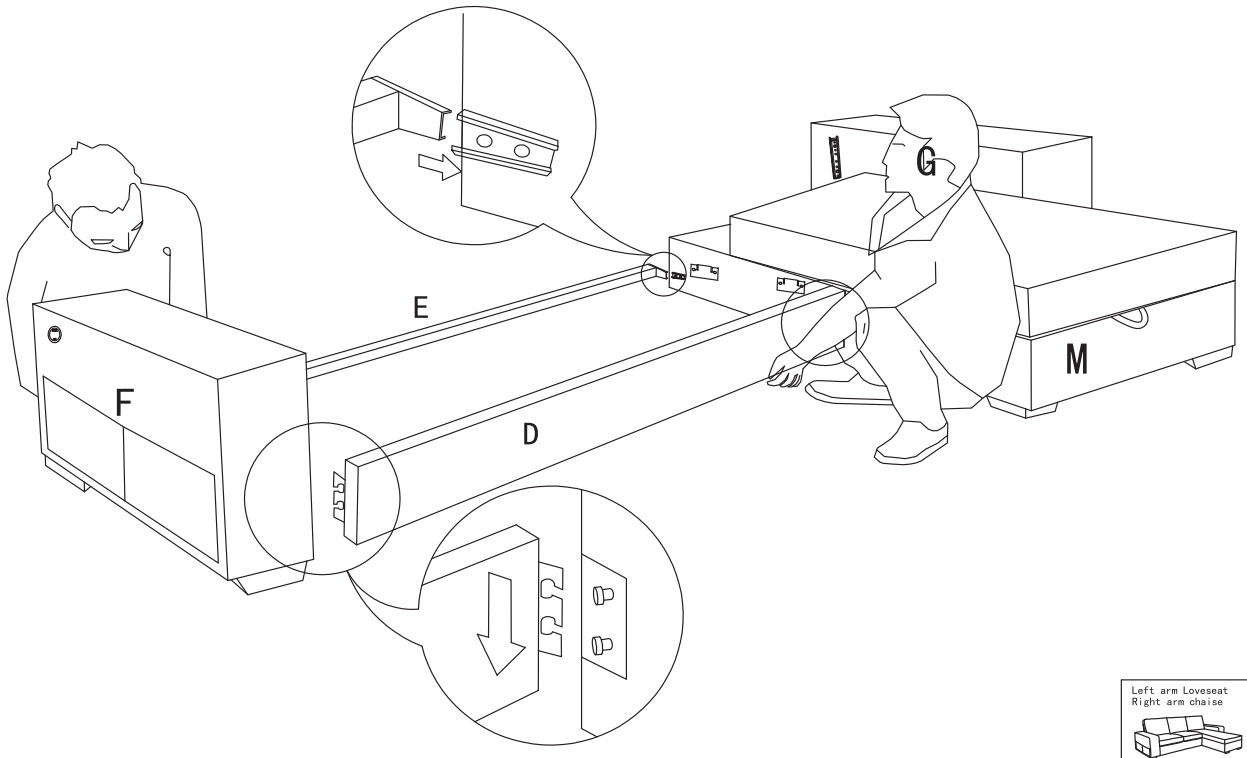
7

8



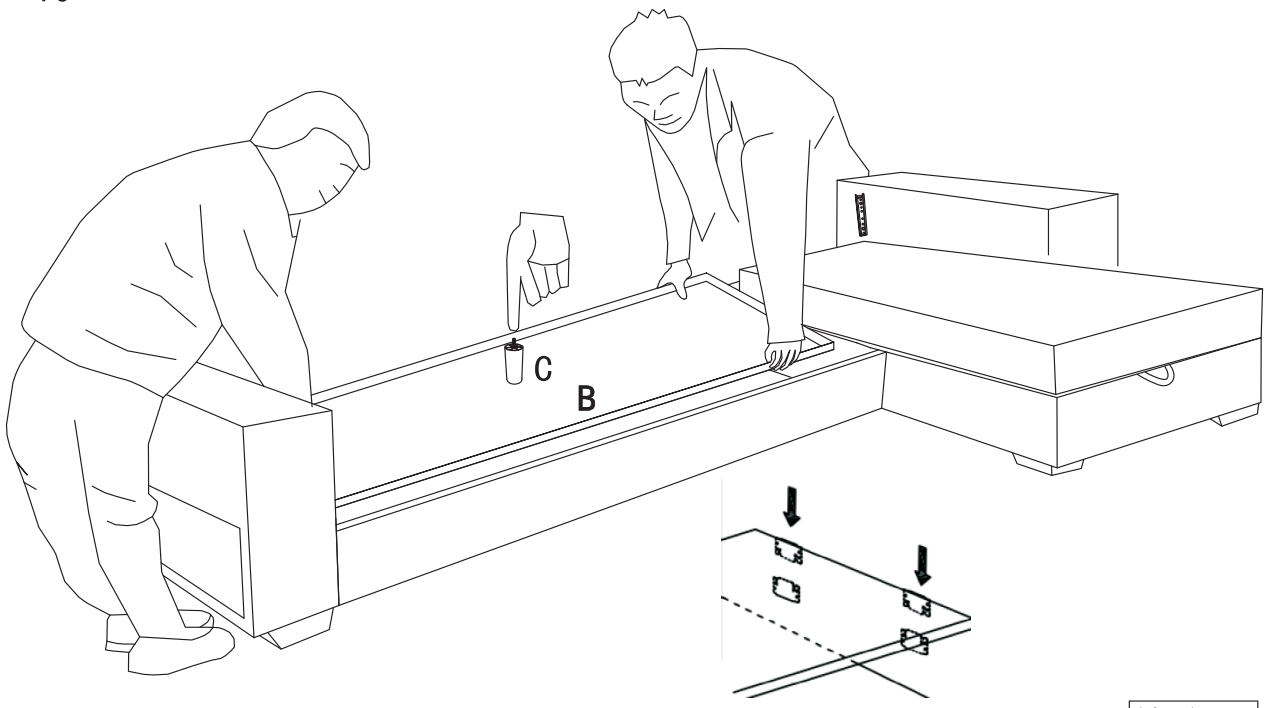
8

9



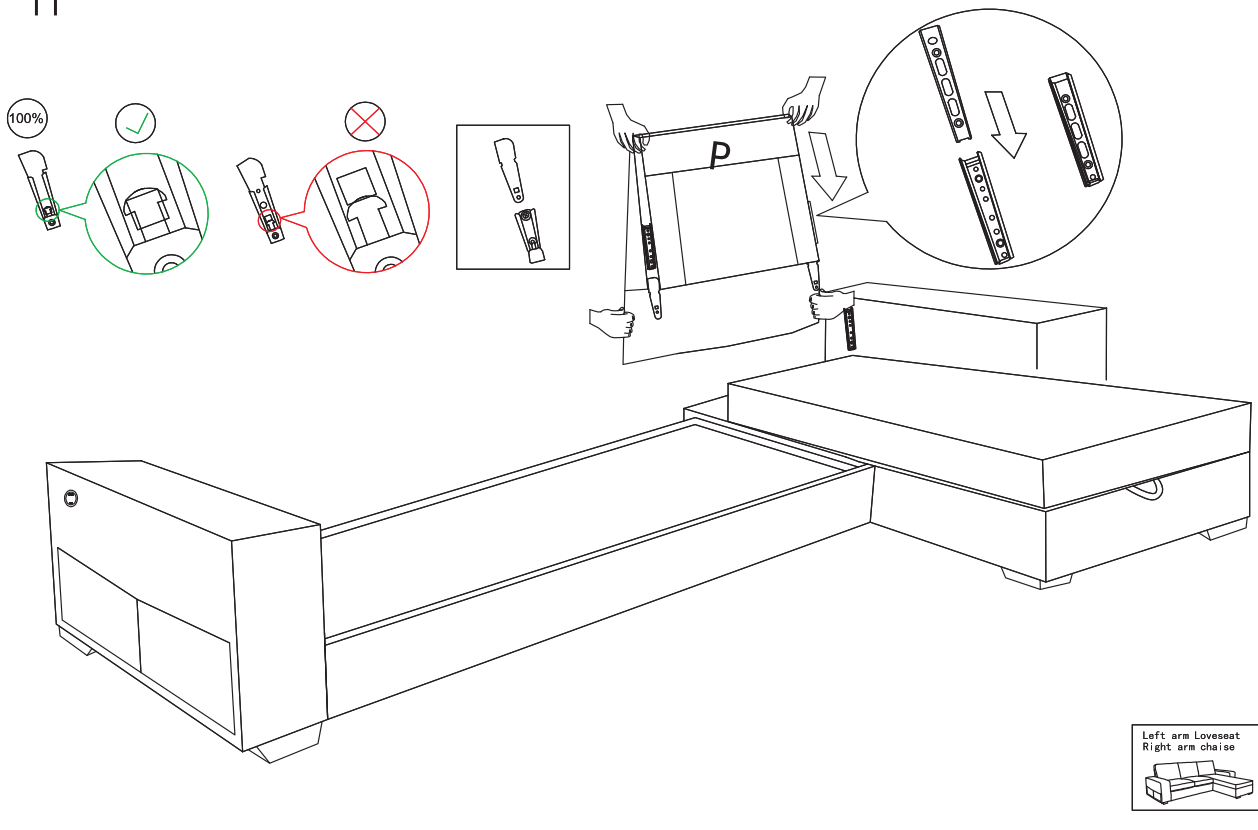
9

10



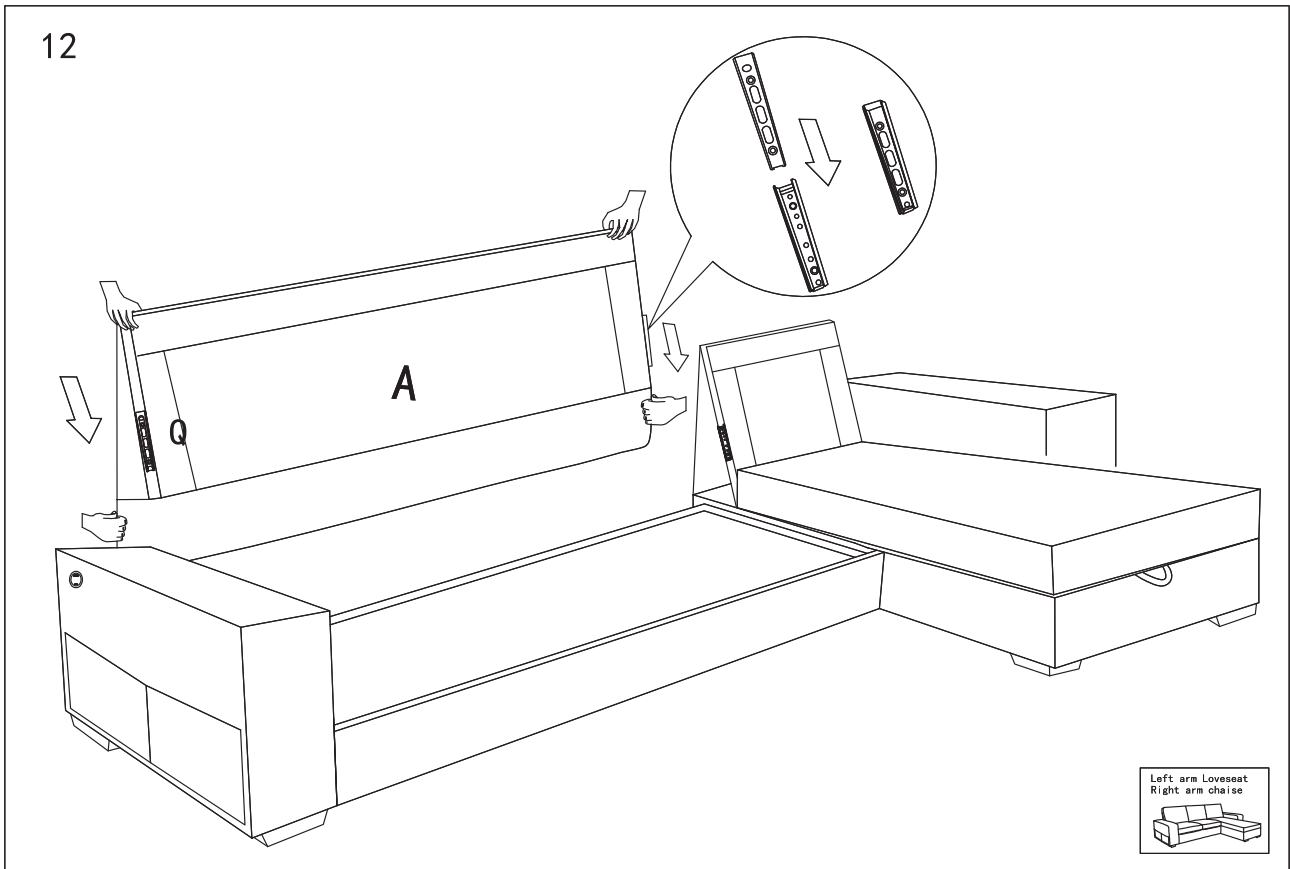
10

11



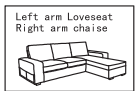
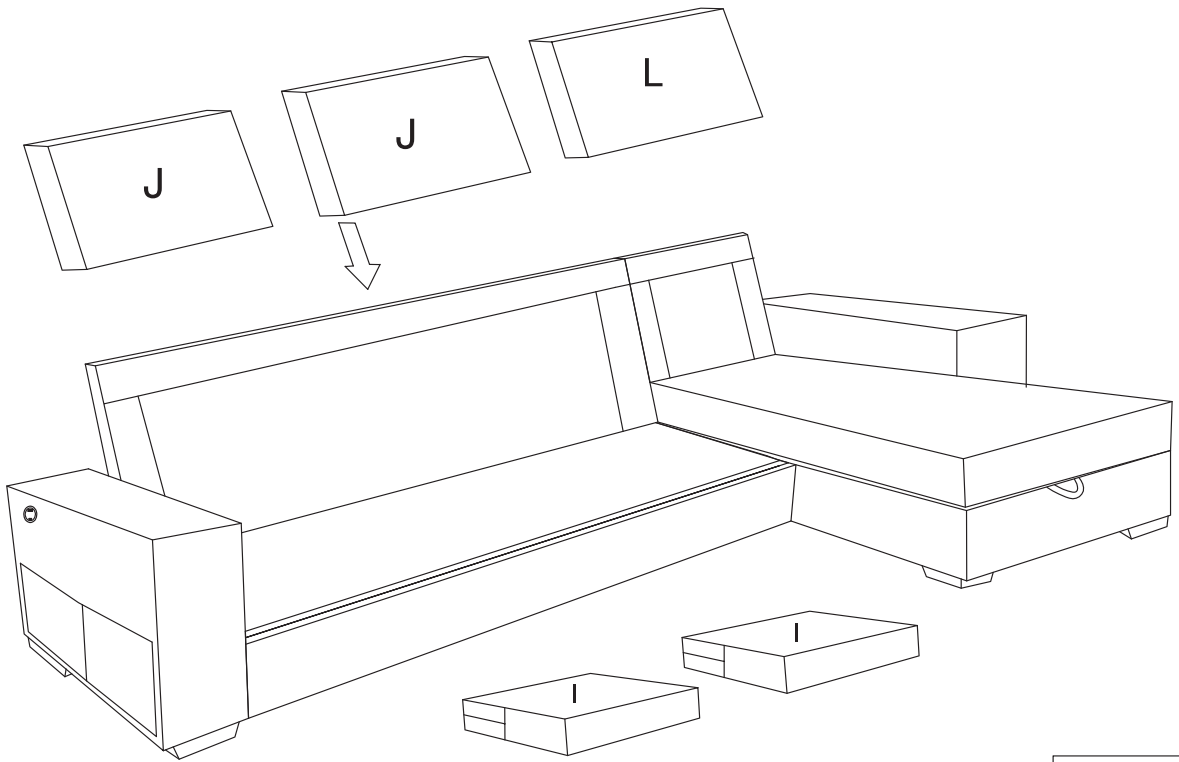
11

12

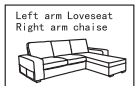
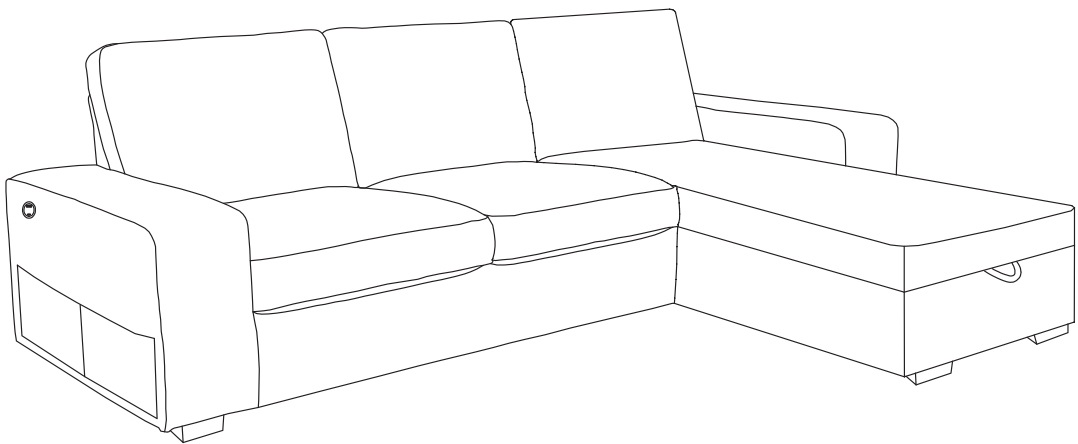


12

13

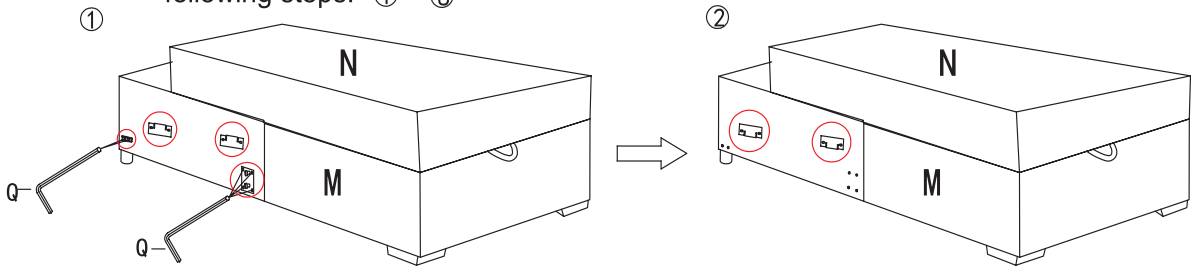


13

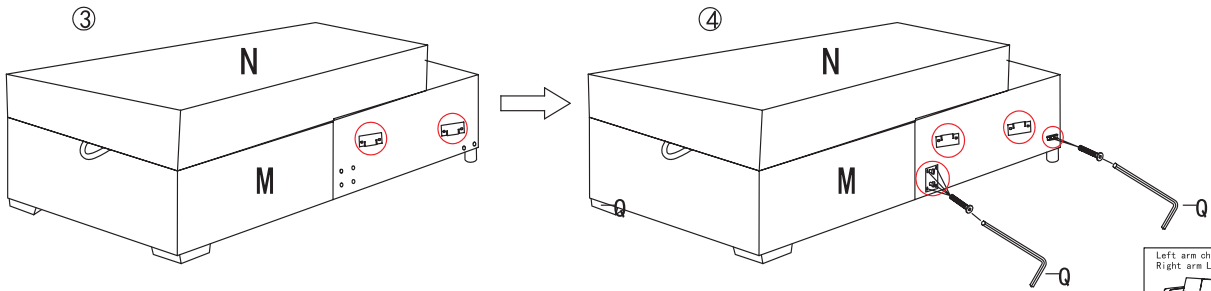


14

14 **NOTE** Dear Customer, the combination of the sofa you purchased is left side facing arm loveseat and right side facing arm chaise, if you want to change the combination of the right side facing arm loveseat and left side facing arm chaise, please follow the following steps: ①—⑧

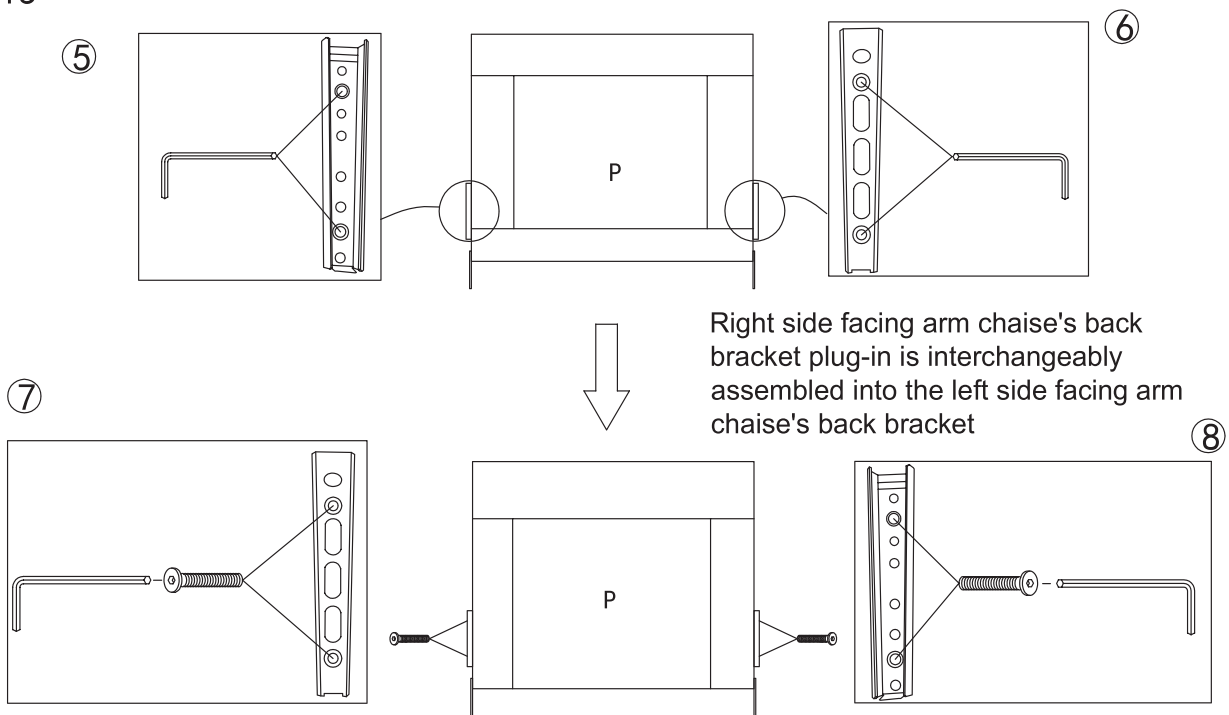


The left rear connecting rod sleeve and the seat front plate insert are removed and installed in the same position on the right



15

15

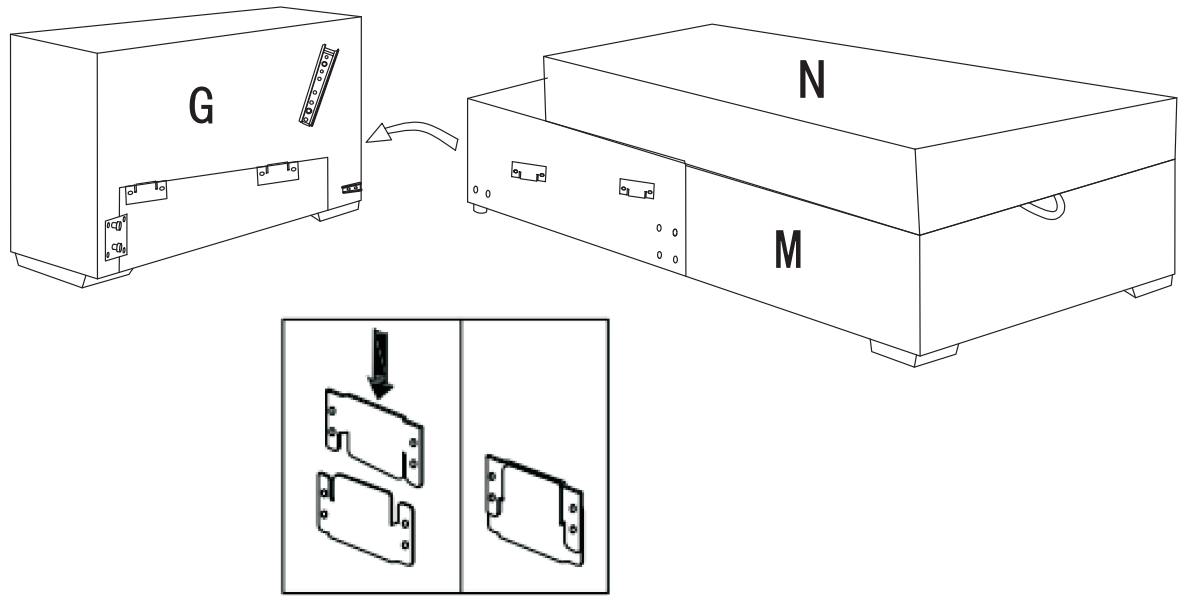


Right side facing arm chaise's back bracket plug-in is interchangeably assembled into the left side facing arm chaise's back bracket



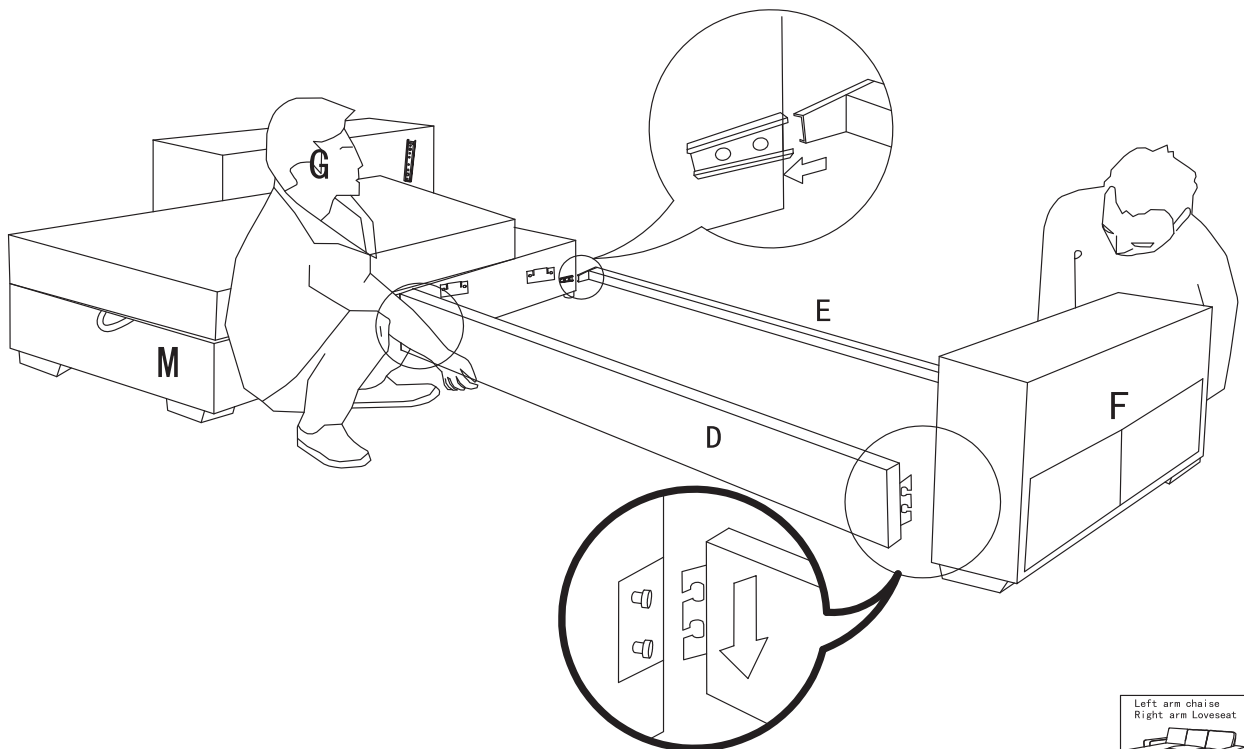
16

16



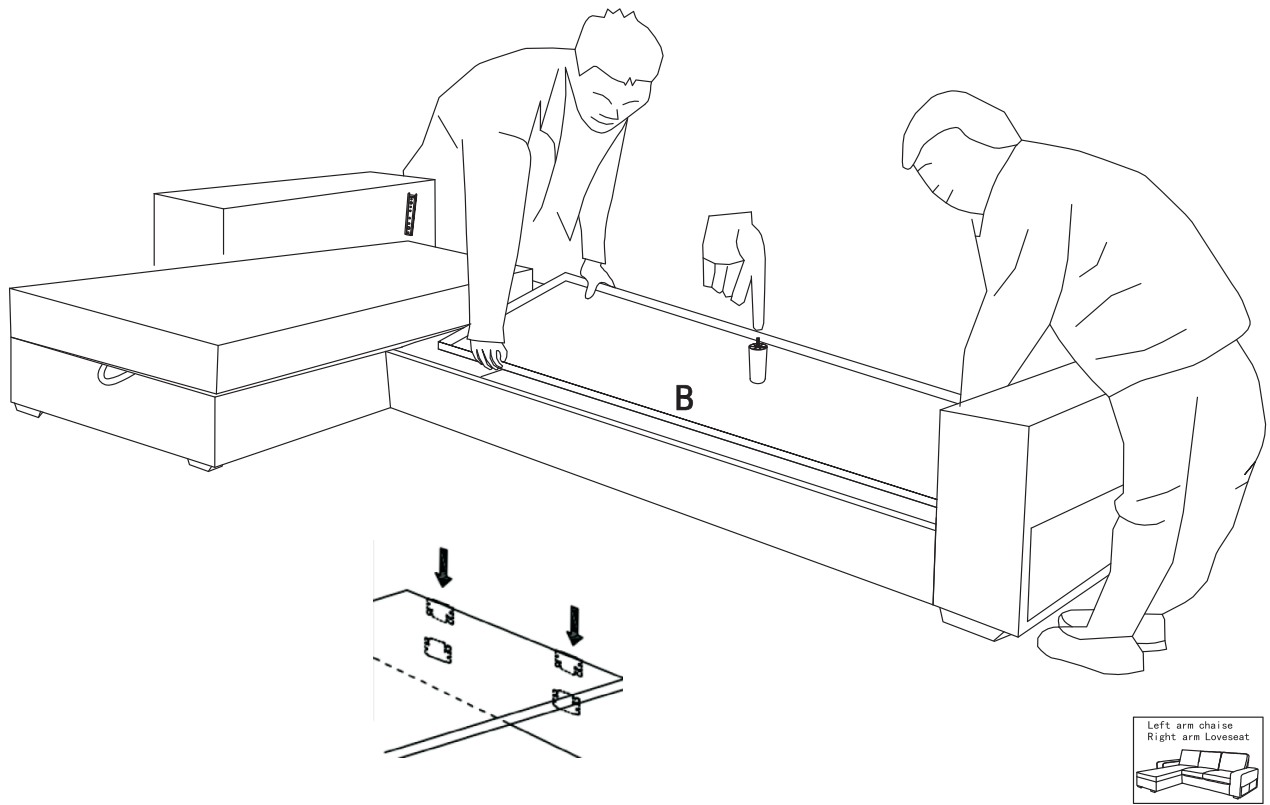
17

17



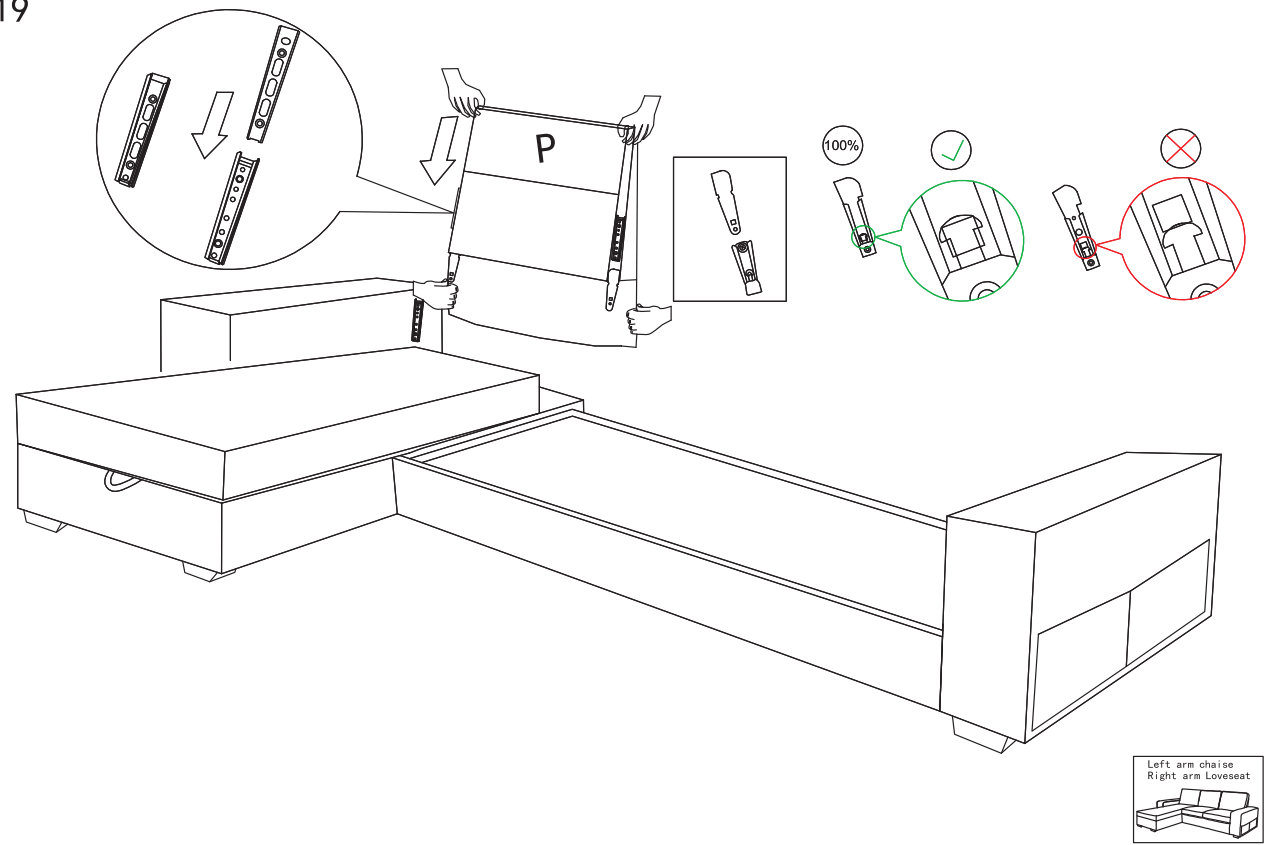
18

18



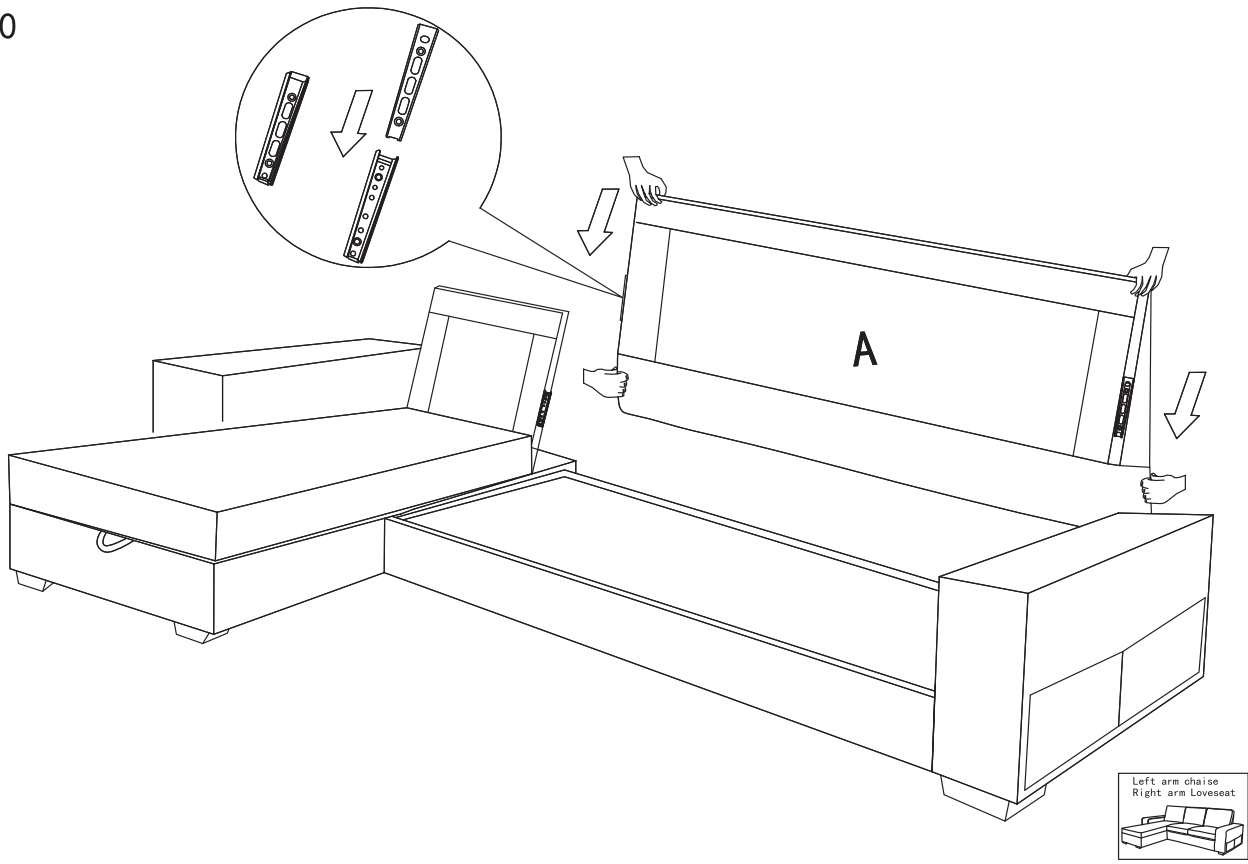
19

19

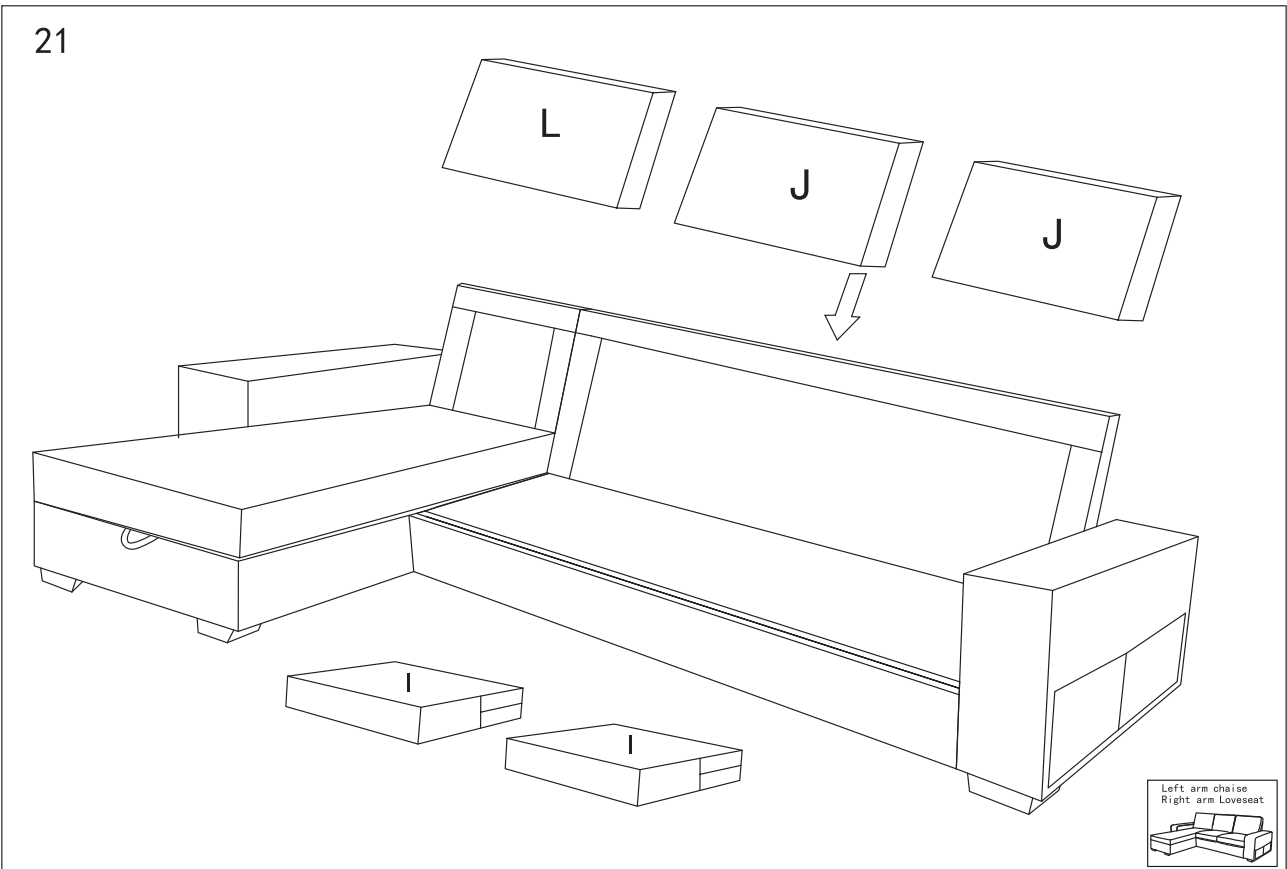


20

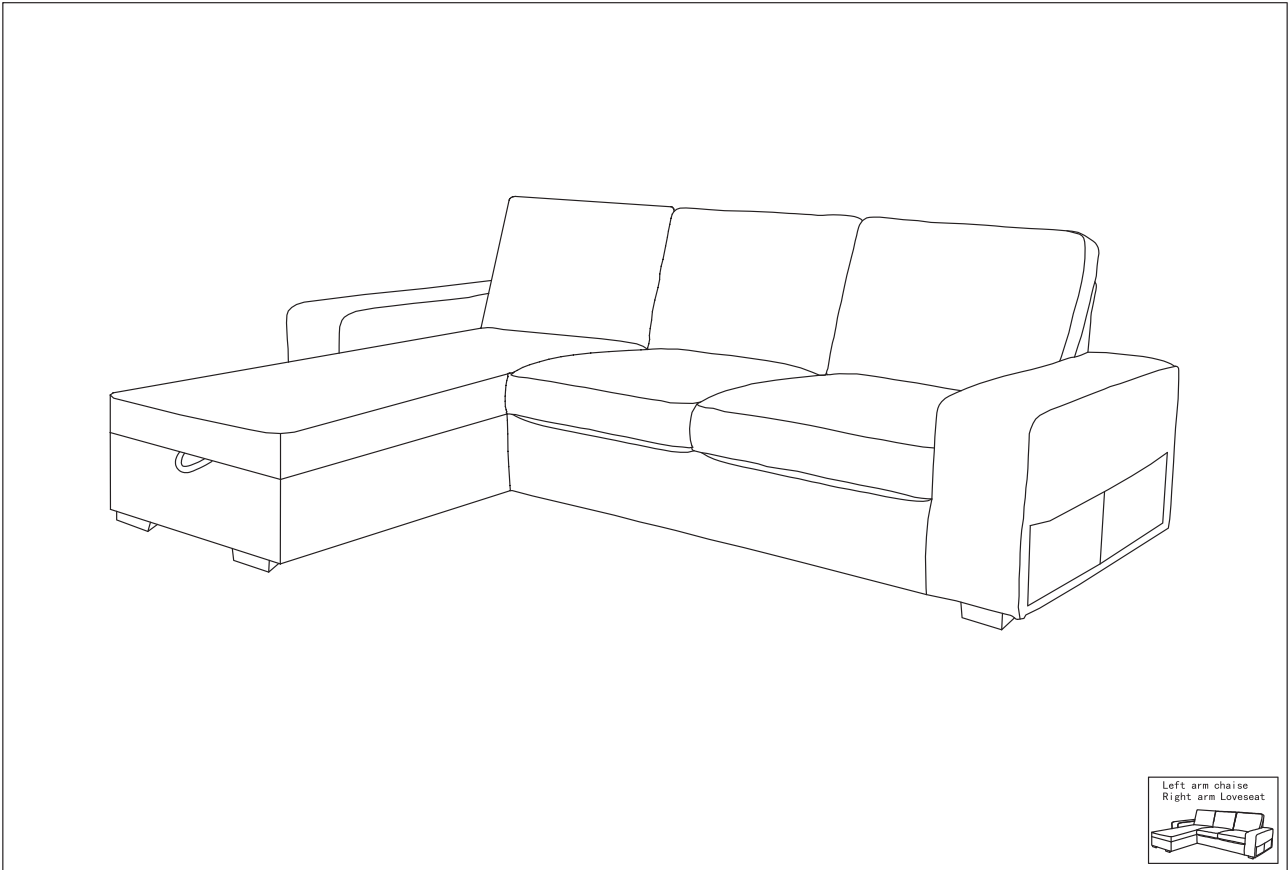
20



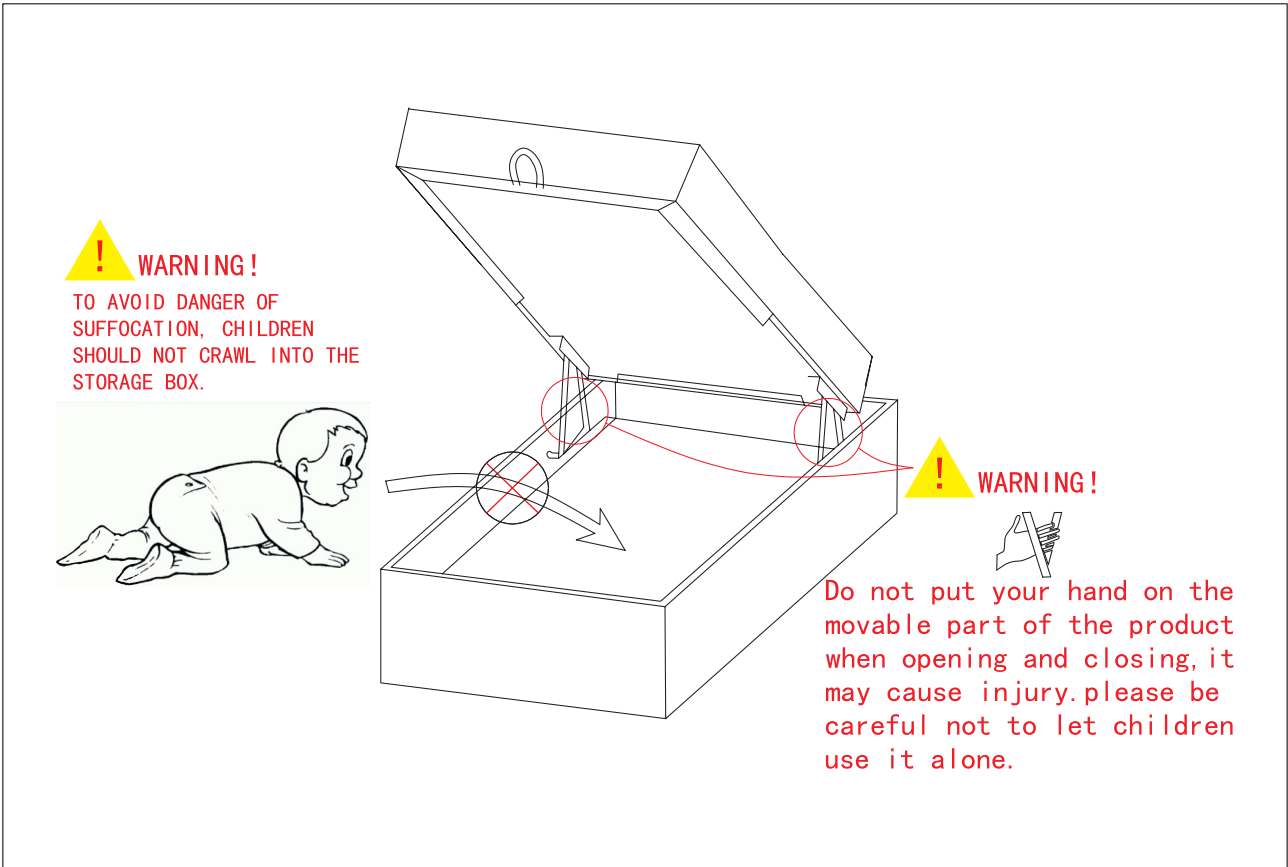
21



22



23



24