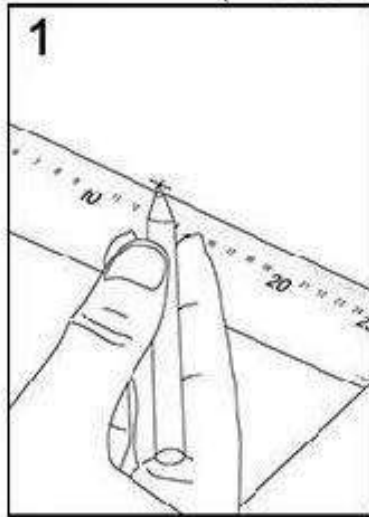
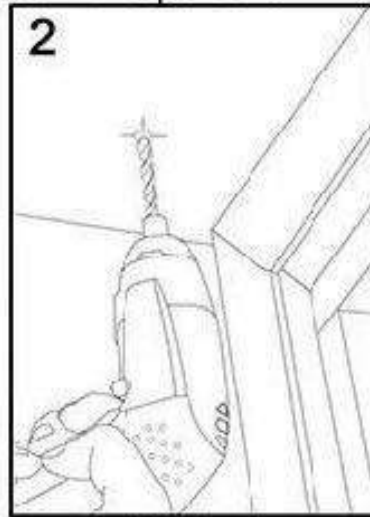


Mounting Guide

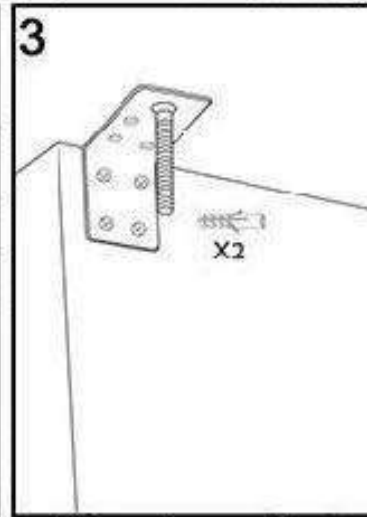
(inside mount requires a minimum 2" window frame depth)



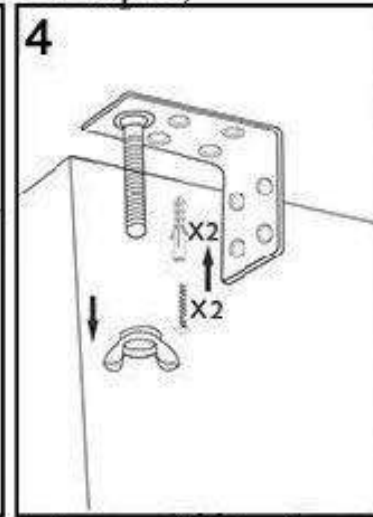
1
Measure precisely
and mark



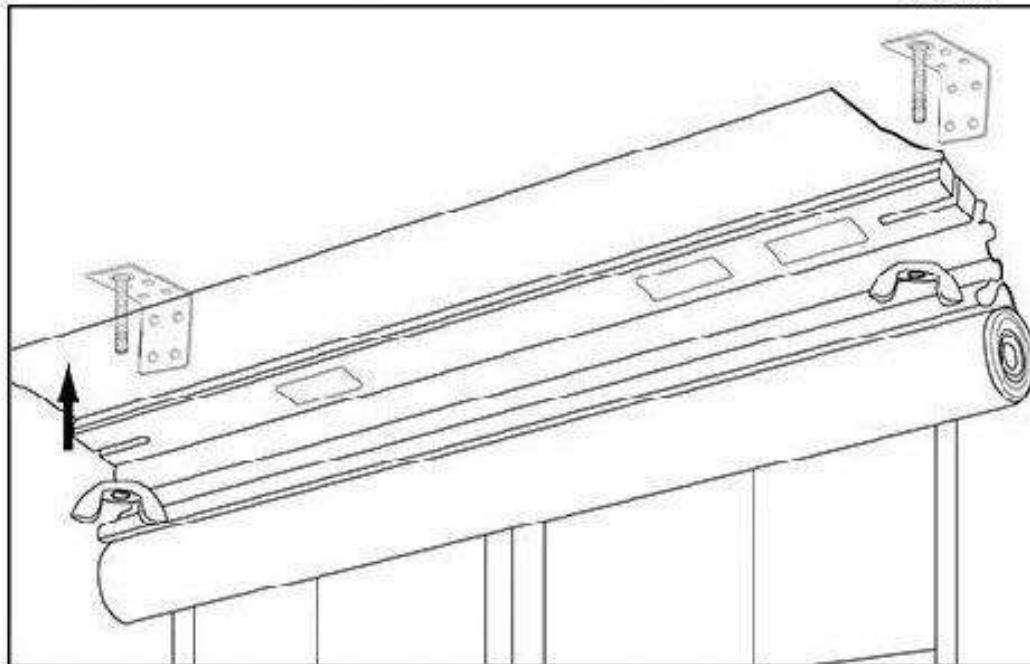
2
Drill a hole at
the mark



3
Place the anchor
inside the drilled
hole.



4
Secure the L shape
corner brace with
screws.



5

Secure the bamboo
curtain with
butterfly nuts and
bolts. installation
completed.