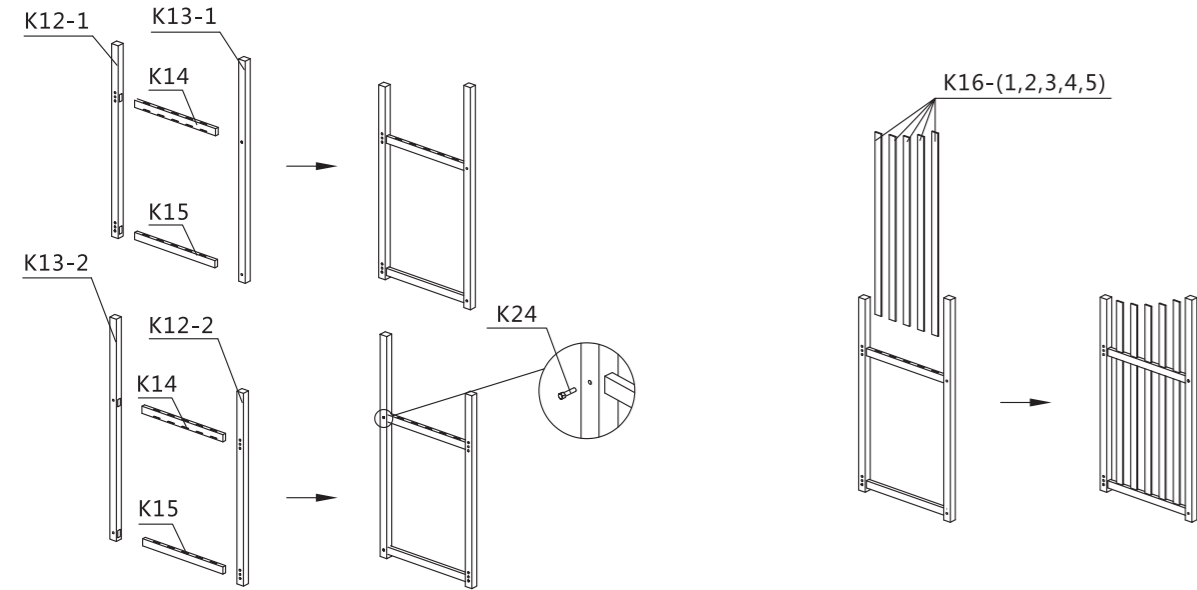


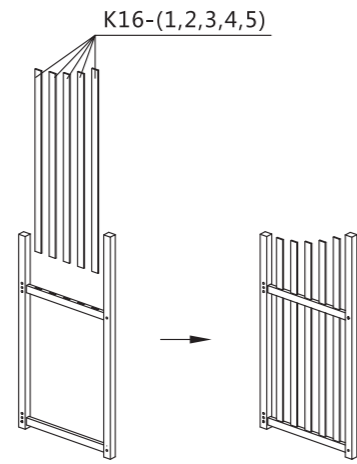
### STEP 12

Insert the K14 gate side pickets to pre-drilled hole of the K13-1 and K12-1 gate post and then insert the K15 gate side picket to pre-drilled of the K13-1 and K12-1 gate post, finally secure them with some screws K24, as shown in the figure below. Insert the K13-2 and K12-2 in the same way to complete the other side of door.



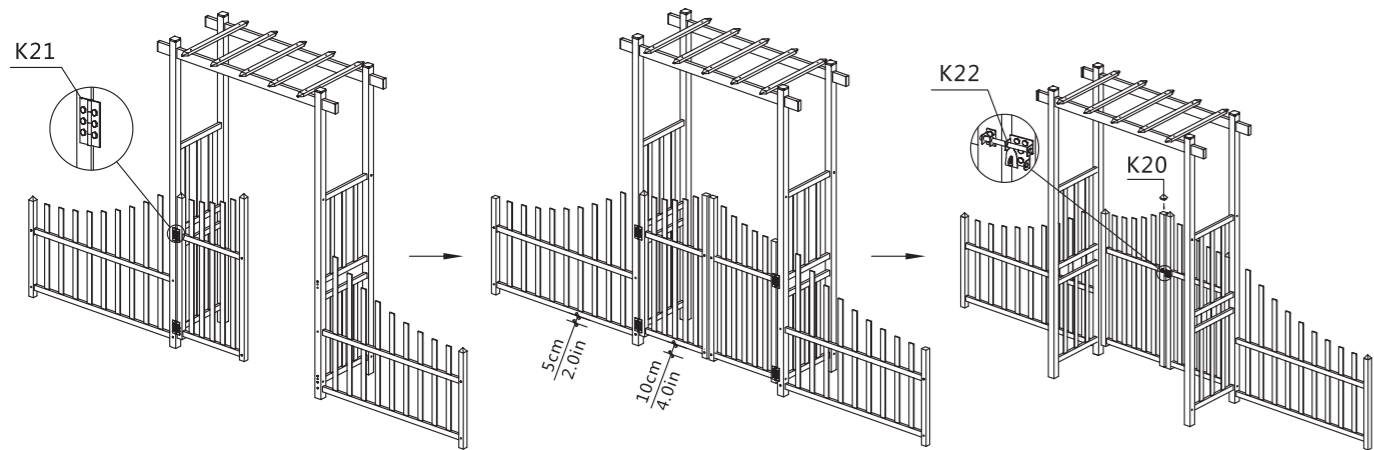
### STEP 13

Insert (5) K16 parts of different heights to complete the shape of the single-sided door from high to low. Repeat this process and complete the other side.



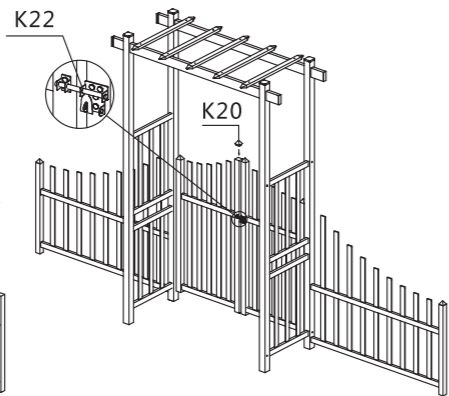
### STEP 14

Use (4) K21 metal hinge to connect the door and the arch. Note that the bottom of the door needs to be 4" above the ground, as shown in the figure.

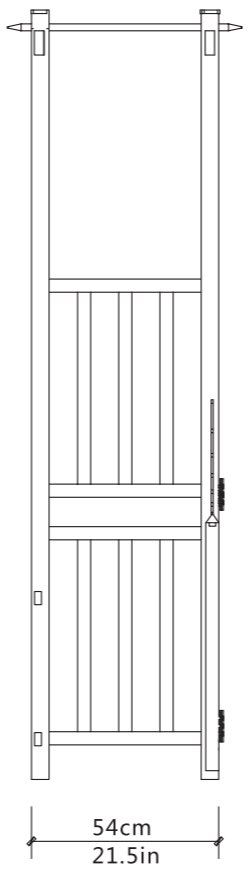
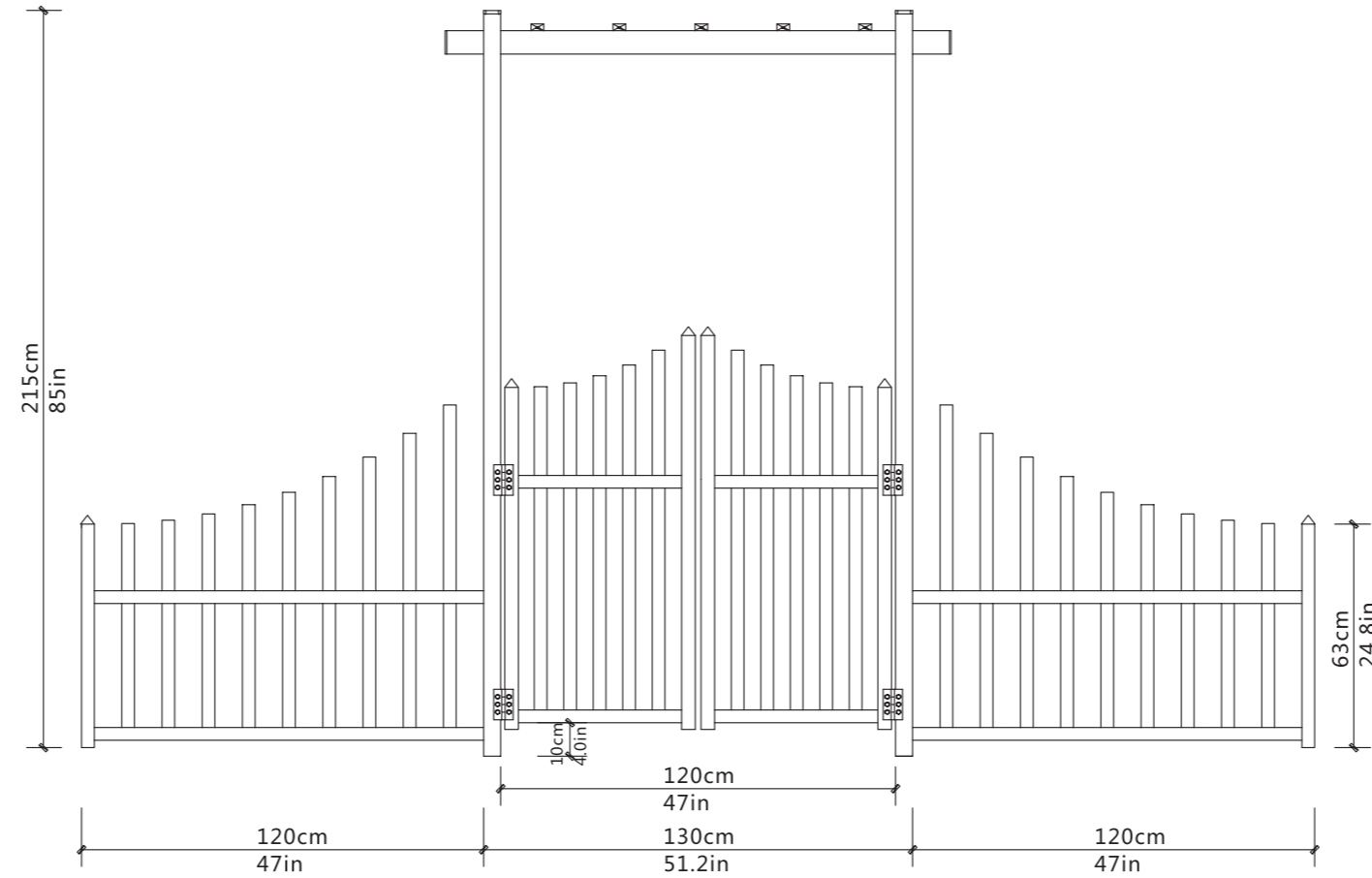


### STEP 15

Install K20 of the door posts caps, and finally install the metal door bolt K22. The beautiful arbor with gate is completed.



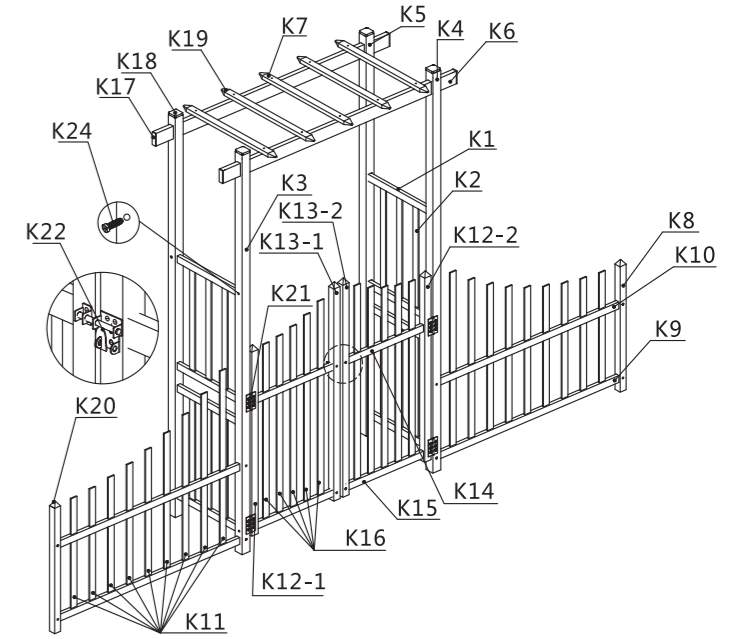
## Drawing



## PVC GARDEN ARBOR Size:85x141x21.5Inch

PLEASE READ THROUGH BEFORE BEGINNING ASSEMBLY.

1. Check boxes for Contents Listed.
2. Check inside of parts as some parts are packaged inside of others.
3. In the event of missing, damaged or defective parts, please feel free to reach out to us.
4. When assembling components, place on a clean, flat non-abrasive surface to avoid scratches.
5. White color stain easily, just wipe dry with a damp cloth.
6. Suggest two people to assemble it to avoid parts falling.



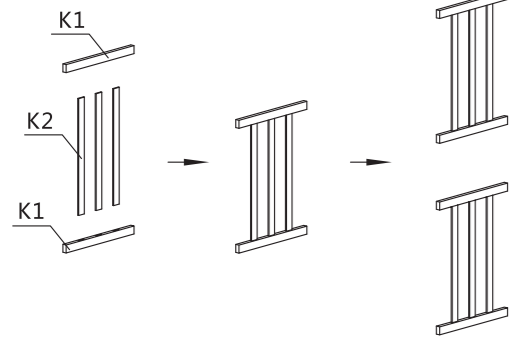
## Parts List

PARTS	CODE	QUANTITY	DESCRIPTION	PARTS	CODE	QUANTITY	DESCRIPTION
	K1	8	Side Picket 1.5"x0.79"x21.3"		K2	12	Side Picket 1.5"x0.24"x23.6"
	K3	1	Post 2"x2"x85"		K6	2	Rail 2.76"x0.98"x61"
	K4	1			K8	2	Fence Post 1.5"x1.5"x29.5"
	K5	2			K9	2	Fence Side Picket 1.5"x0.79"x47.2"
	K7	5	Top Picket 1.5"x0.79"x23.6"		K10	2	Fence Side Picket 1.5"x0.79"x47.2"
	K11-1	2	Gate Side Picket		K12-1	1	Gate Post 1.48"x1.48"x29.5"
	K11-2	2			K12-2	1	Gate Post 1.48"x1.48"x29.5"
	K11-3	2			K13-1	1	Gate Post 1.48"x1.48"x35.8"
	K11-4	2			K13-2	1	Gate Post 1.48"x1.48"x35.8"
	K11-5	2			K14	2	Gate Side Picket 1.5"x0.24"x23.6"
	K11-6	2			K15	2	Gate Side Picket 1.5"x0.79"x23.6"
	K11-7	2			K17	4	Post Cap
	K11-8	2			K18	4	Rail cap
	K11-9	2			K19	10	Top Picket cap
	K16-1	2	Gate Side Picket		K20	6	Gate Post and Fence Cap
	K16-2	2			K21	4	Metal Hinge with Screws
	K16-3	2			K22	1	Door Bolt with Screws
	K16-4	2			K23	4	Metal Stake 1.77"x1.77"x21.6"
	K16-5	2			K25	2	Metal Stake 1.32"x1.32"x21.6"
	K24	58	Screws				

# Assembly Instruction

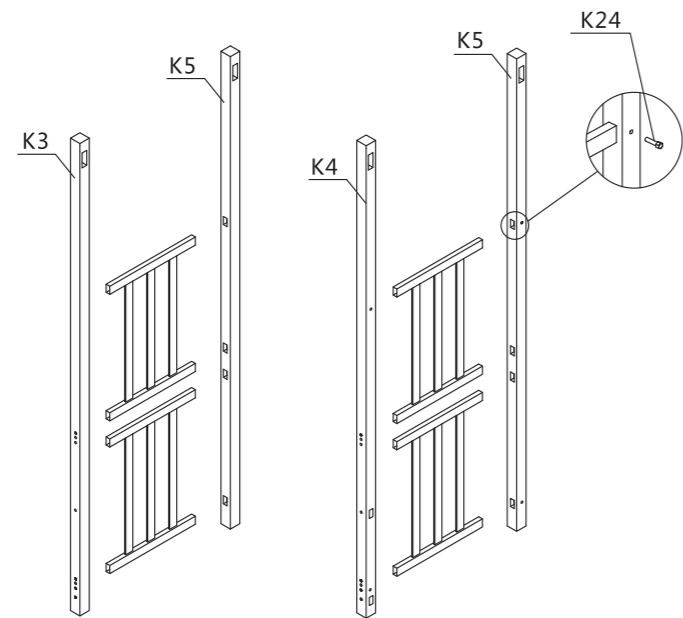
## STEP 1

Insert (3) K2 side stakes into (2) K1 side stakes. (K1 Only one side has holes)



## STEP 2

Repeat this process to complete the other part. They should look as shown below.

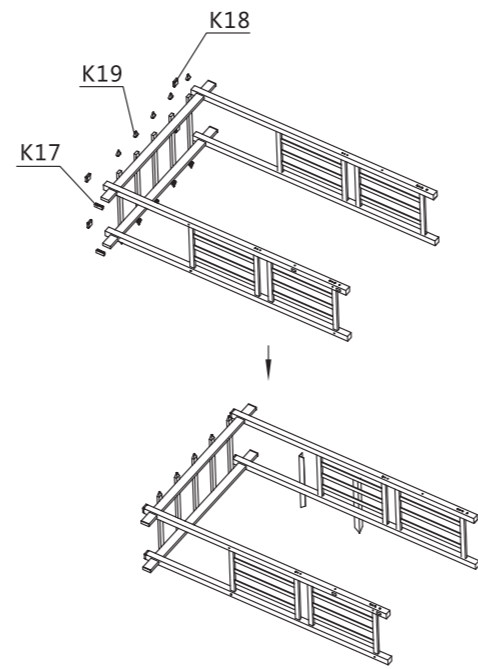


## STEP 3

Insert the (4) K1 side stakes into the pre-placed trunk posts, connect the K3 and K5 posts with the assembled side panels as illustrated. Repeat this step with the K4 and the other K5 posts to create the other panel side. Then use an electric drill to secure the connection with screws K24.

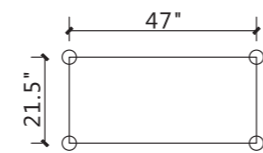
## STEP 6

Install the accessories K17, K18 and K19 on the posts and rails respectively, and the installation of the arch is completed.



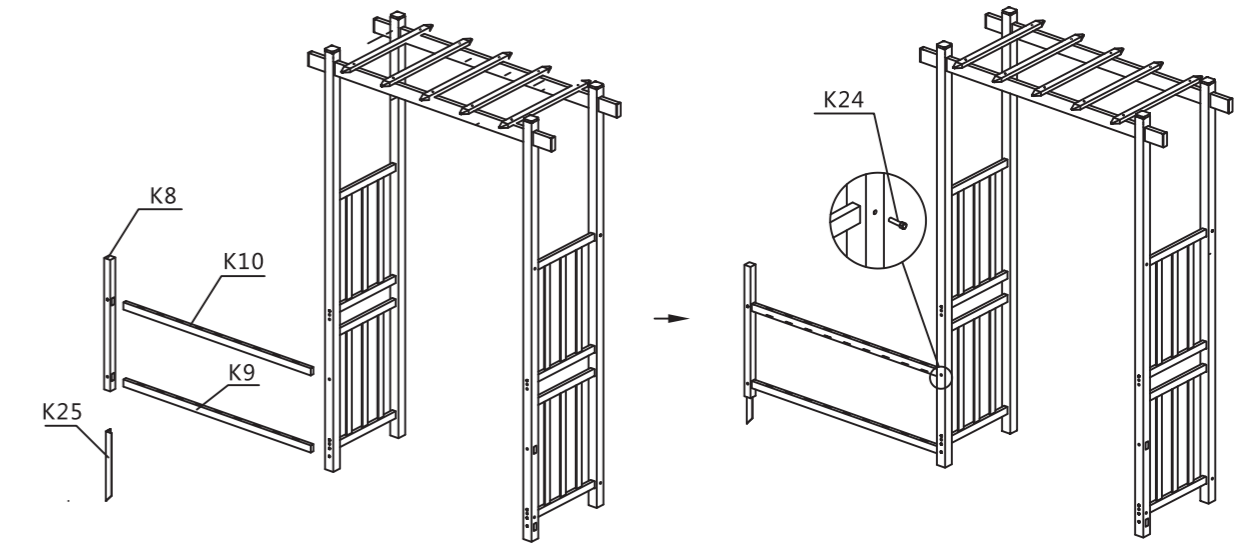
## STEP 7

Draw four markers on the ground. The markers should be spaced apart as shown in the diagram below.



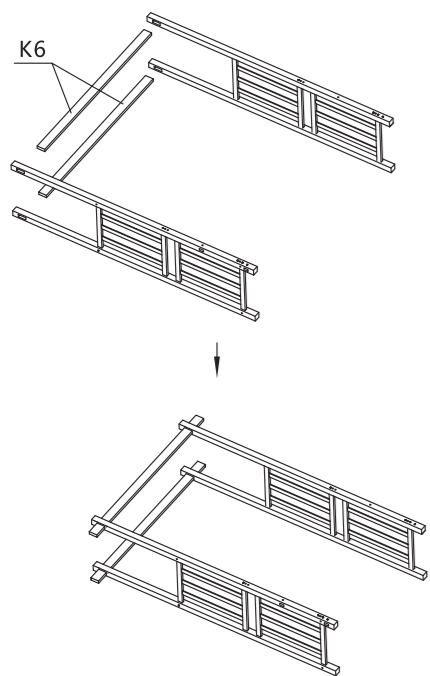
## STEP 10

Insert (1) metal stake K25 into the marked position. 10" from the ground. Put K8 on it, and then use K9 and K10 to connect the columns on one side and fix them with screws K24, as shown in the figure below.



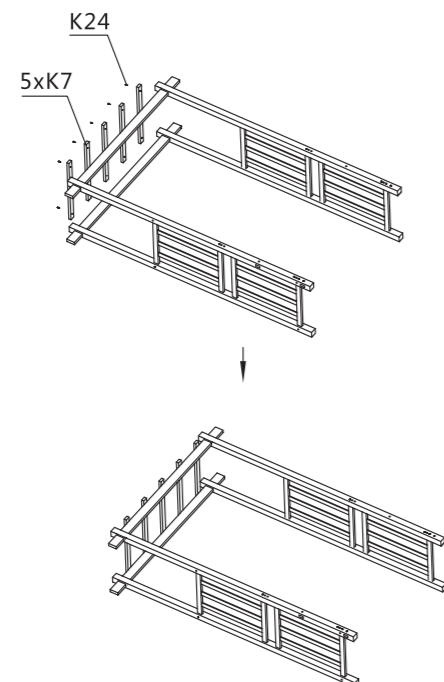
## STEP 4

Turn both side panels upside down and insert (2) K6 directly through the holes in the top of two side panels to connect them. As shown in the figure below.



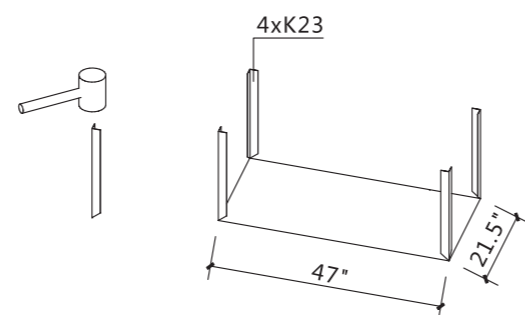
## STEP 5

Place (5) K7 on top of K6 and tighten the screw K24 with an electric drill.



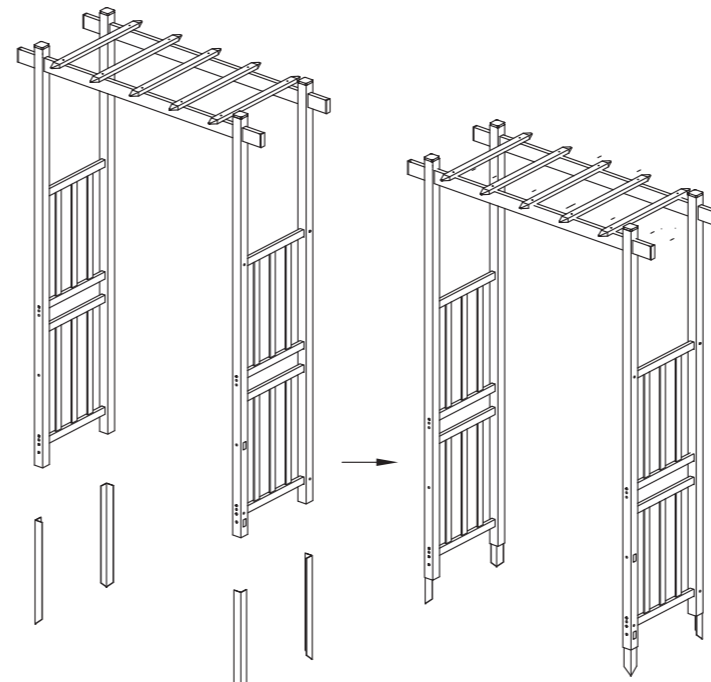
## STEP 8

Insert the metal stake K23 in the marked position. 10" above the ground and 10" under the ground. Repeat this step to insert the another (3) stakes.



## STEP 9

Put the assembled side panel on the stake. It should be 10" stake into the arbor post.



## STEP 11

Insert (9) K10 side picket of different heights to complete the shape of the single-sided fence from high to low. Repeat this process and complete the other side.

