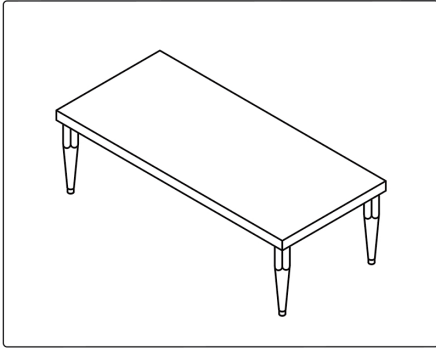


ASSEMBLY INSTRUCTIONS



+ Do Not Use Power Tools



+ Suggested Adults



NOTE:

- 1 Read instructions cover to cover.
- 2 Save all packaging until assembly is completed.

1 IMPORTANT SAFETY INFORMATION

Do not assemble the product if any of the following parts arrived damaged:

Part # ① - Table Top

Part # ② - Leg

2 IMPORTANT ASSEMBLY INFORMATION

Assembly Step 1: Use Bolt B/D/C, to connect Part ② to Part ①.

Assembly Step 2: Use Allen Key A, to drive Bolt B and tighten (B) in Place.

***Warning:** Do not over tighten screws, or it could damage the Table Top.

+ Parts Included

① Table Top (1PC)



② LEG (4PCS)



+ Hardware Included

A Allen Key M5
(1 PC)



B Bolt M8x40
(16 PCS)



C Washer M8x22
(16 PCS)

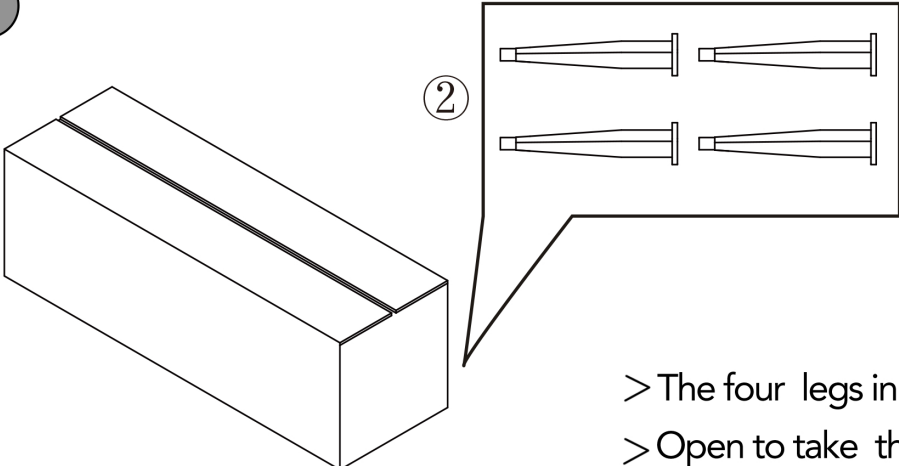


D Spring Washer
(16 PCS)



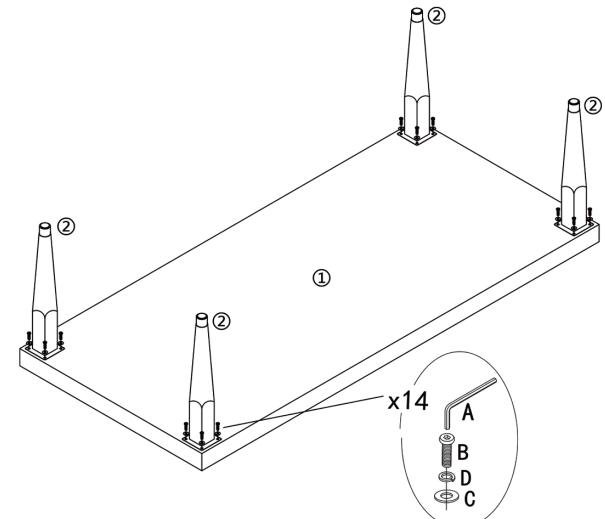
ASSEMBLY INSTRUCTIONS

1



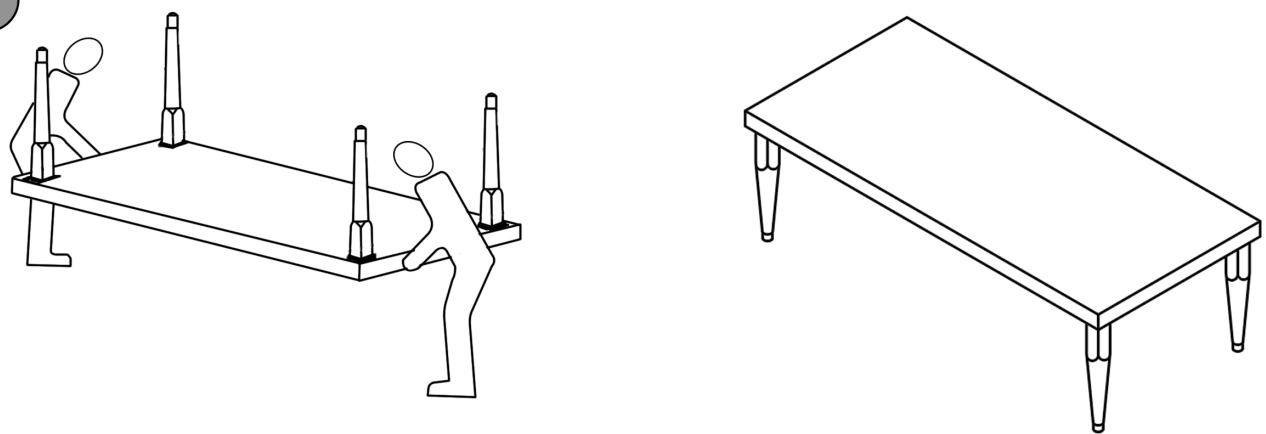
> The four legs in a separate box as shown .
> Open to take the four legs .

2



1) Position leg ② as shown and align screw holes on ② to the screw holes on the table top .
2) Use Bolt B fitted with Spring Washer D and Washer C to fasten ② to ① .
3) Use Allen Key A to drive Bolt B and tighten B in Place .

3



2 people required to set the table right-side up

The assembly of the table is complete .