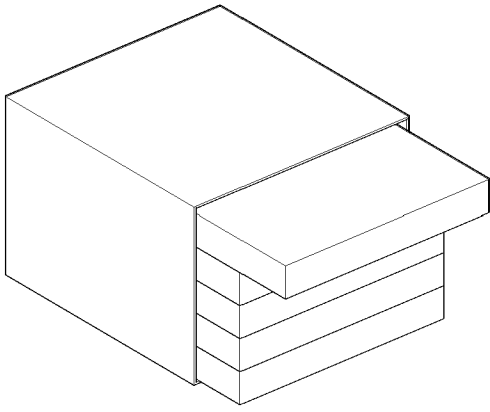


ASSEMBLY INSTRUCTIONS
OUTDOOR DINING CHAIR - CUSHION COVER

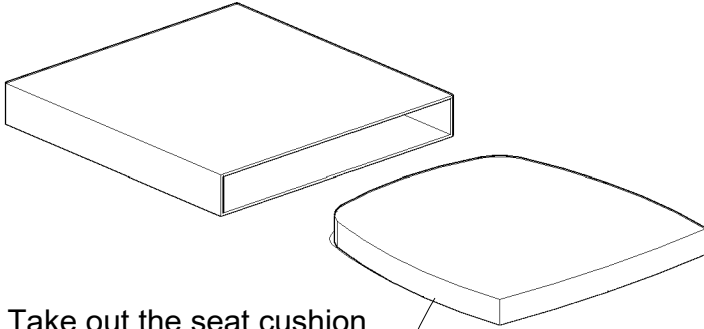
A. Base Cushion

①



Open Master Box, then take out one inner box.

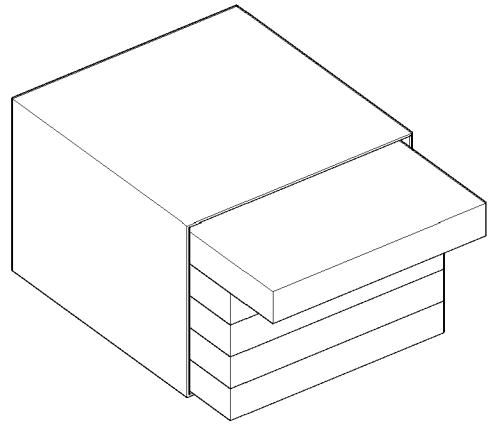
②



Take out the seat cushion from inner box.

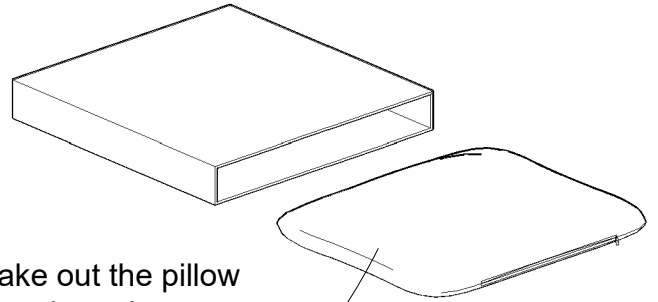
B. Pillow

①



Open Master Box, then take out one inner box.

②



Take out the pillow from inner box.

