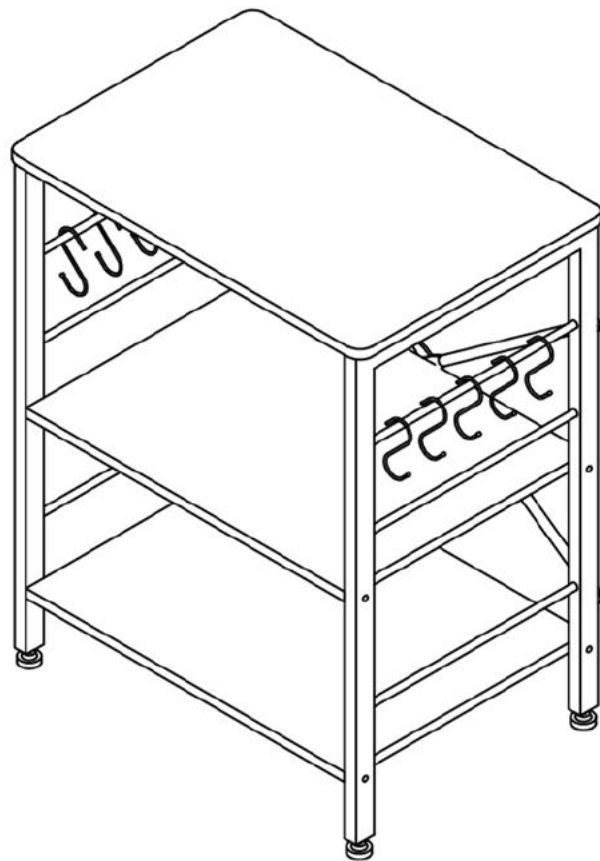


# ASSEMBLY INSTRUCTION



## WARRANTY:

We stand behind our products & service with confidence! If parts damaged or missing please feel free to contact us for a **FREE REPLACEMENT**.

We warranty this product to be free from defects in materials. This warranty covers one year from the date of original purchase.

## NOTES:

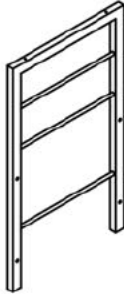









- The item is only intended to be used indoors. The product must be assembled and used in accordance with the provisions of the manual.
- It is recommended that assembly is undertaken by about 2 adults. Please read assembly instructions before assembly and strictly adhere to each step outlined. Estimated assembly time is 30 minutes.

## WARNING:

- **WARNING FOR YOUNG CHILDREN** - This product contains small components, please ensure that they are kept away from small children while assembling.

# 1

# PARTS LIST

A	B	C	D	a	b	c	d
 <p>2PCS</p>	 <p>2PCS</p>	 <p>2PCS</p>	 <p>1PCS</p>	 <p>M6*42 12PCS</p>	 <p>1/4*19 4PCS</p>	 <p>4PCS</p>	 <p>10PCS</p>
<p>e</p>  <p>1PCS</p>							

## IMPORTANT:

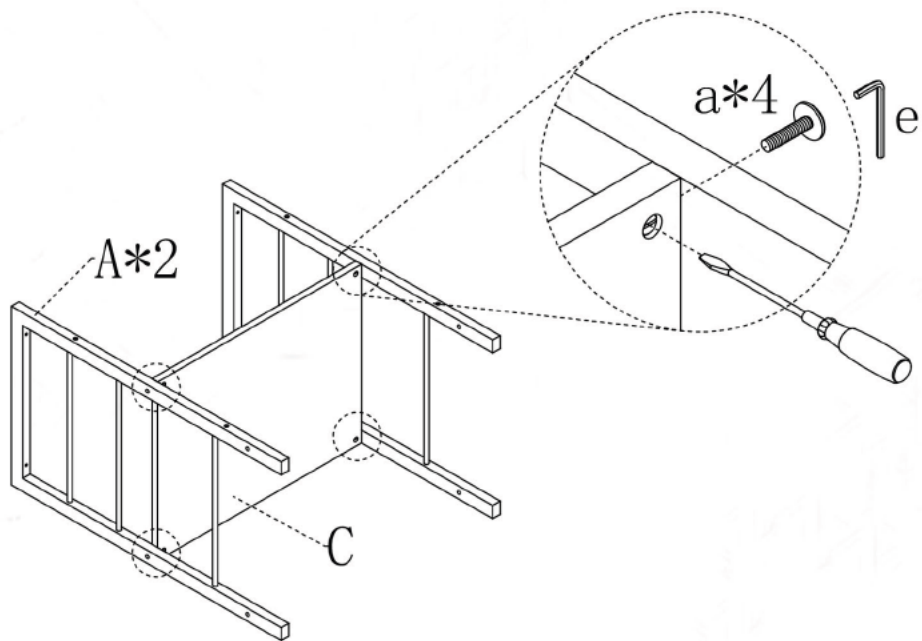
Please check parts list before you start to assembly. If parts damaged or missing. Contact your seller for a FREE REPLACEMENT. Please provide your order number, a brief message about the issue, and your shipping address. Thank you!

# 2

NOTE: PLEASE DO NOT TIGHTEN THE BOLTS UNTIL ALL FIXED

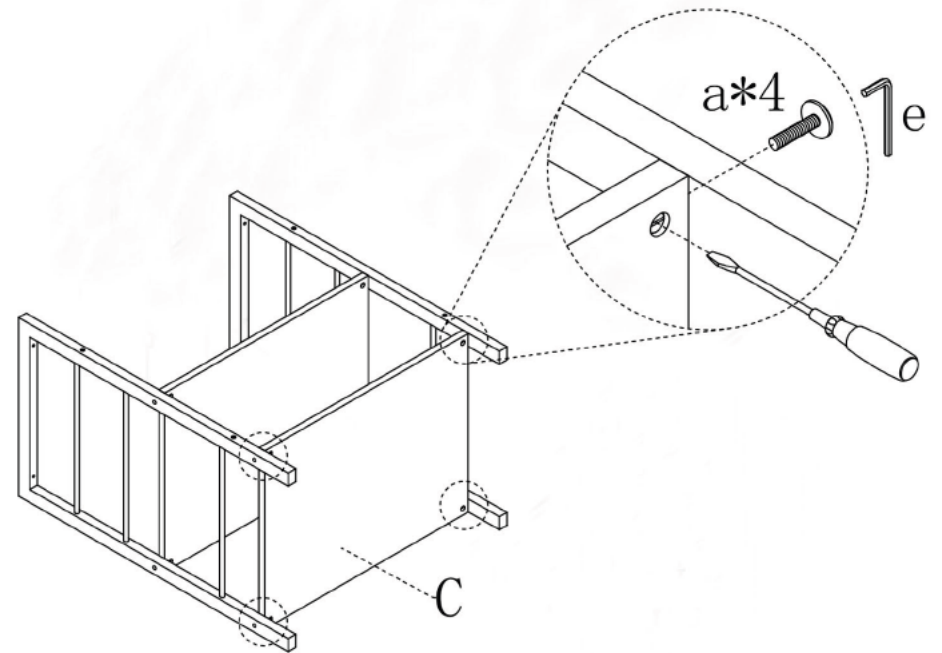
1

Use a screwdriver to adjust the part "c" so that the thread is aligned with the hole in the board



2

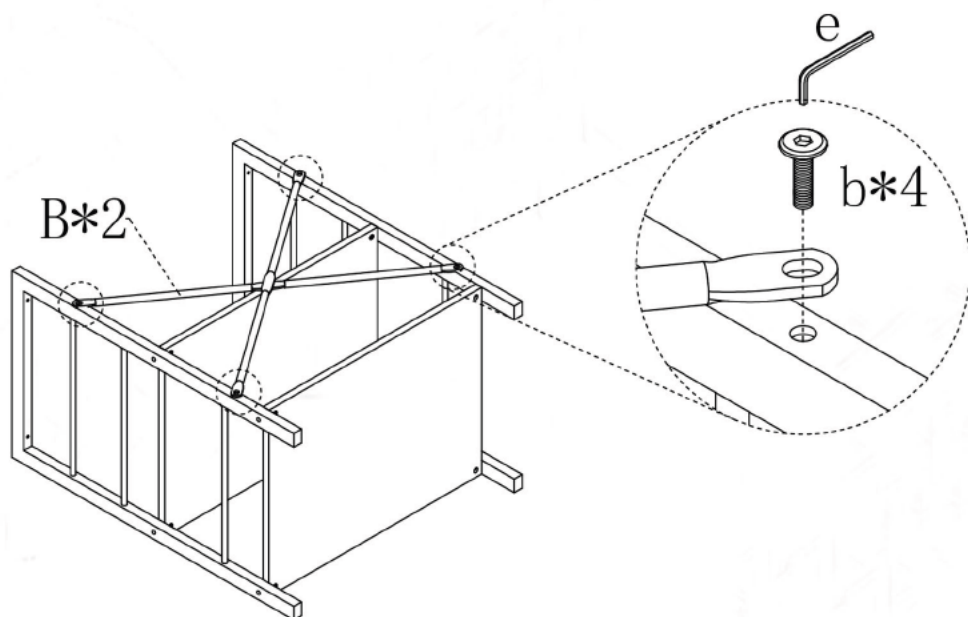
Use a screwdriver to adjust the part "c" so that the thread is aligned with the hole in the board



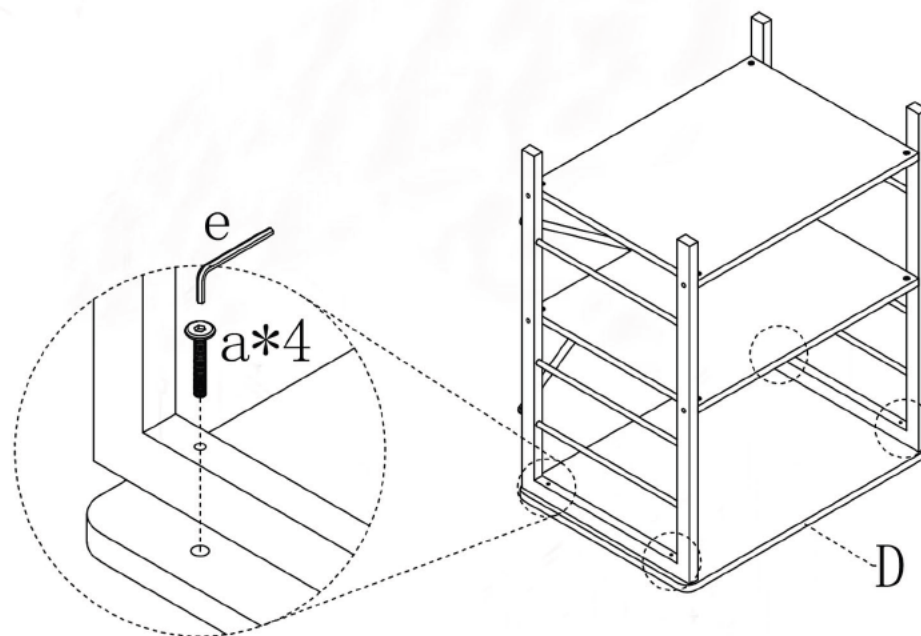
# 3

NOTE: PLEASE DO NOT TIGHTEN THE BOLTS UNTIL ALL FIXED

## 3



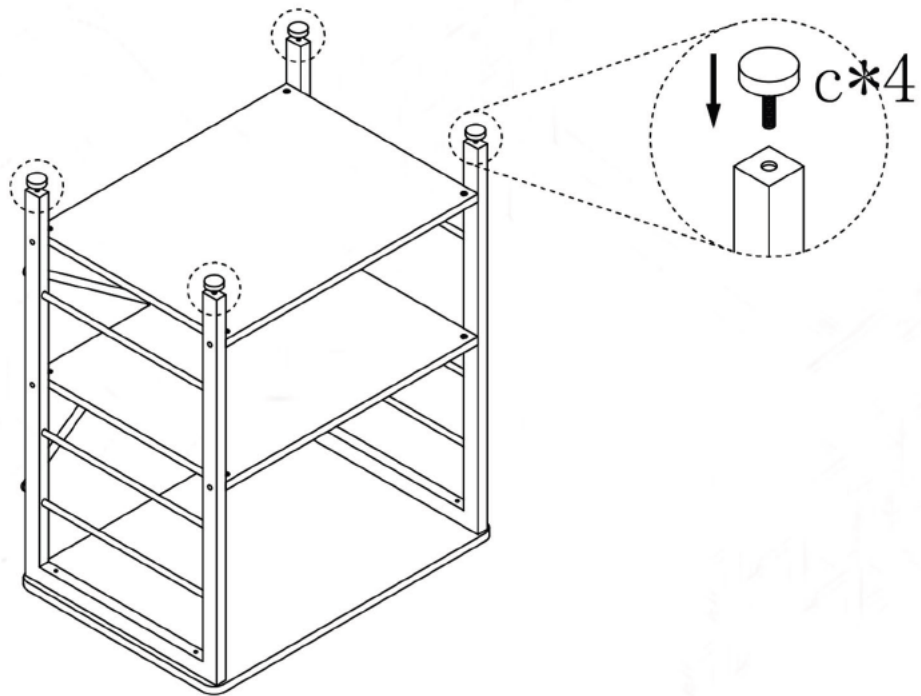
## 4



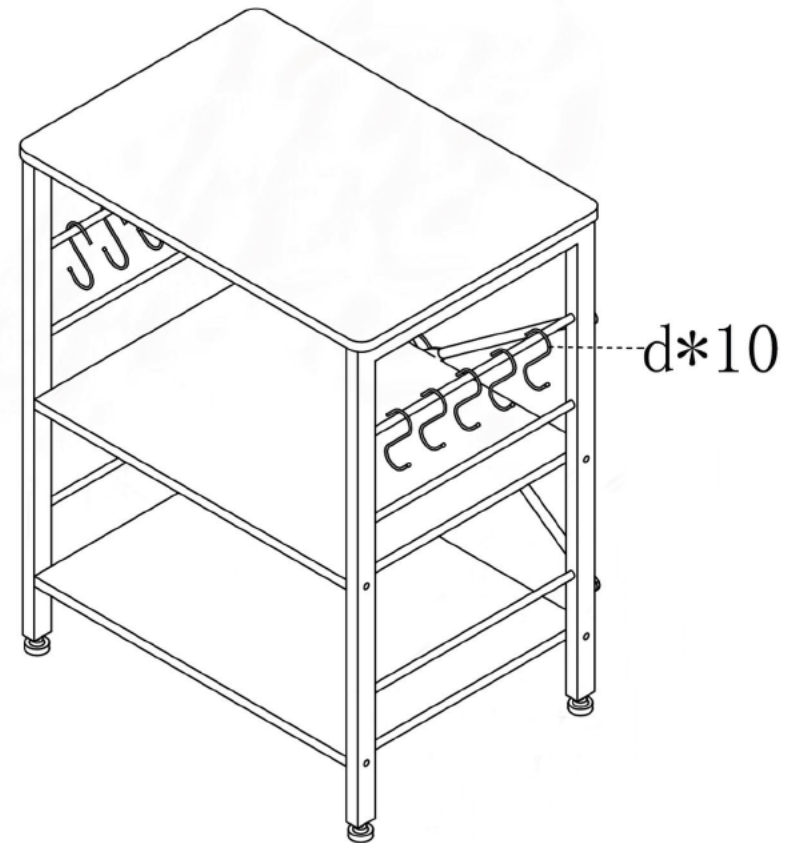
4

NOTE: PLEASE DO NOT TIGHTEN THE BOLTS UNTIL ALL FIXED

5



6



**IMPORTANT: Please completely tighten all the bolts and nuts.**