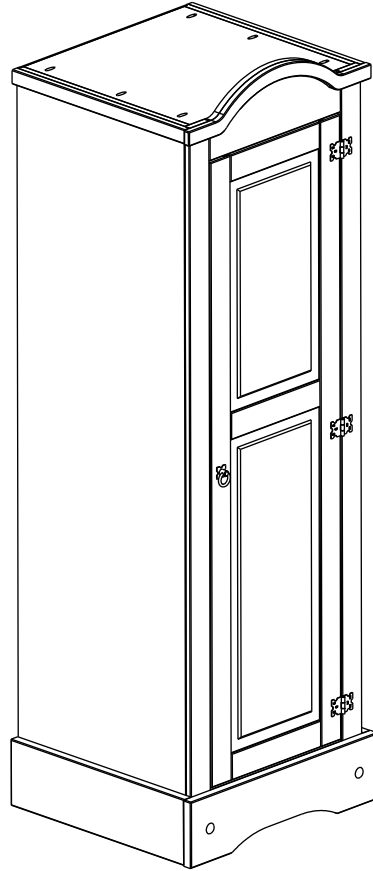


1 Door Wardrobe

ASSEMBLY INSTRUCTIONS



FOR DOMESTIC USE ONLY

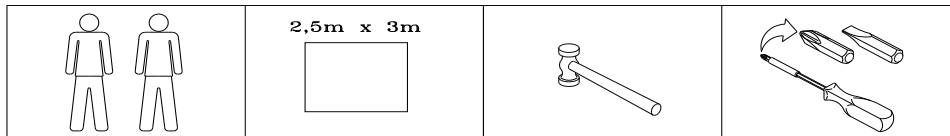
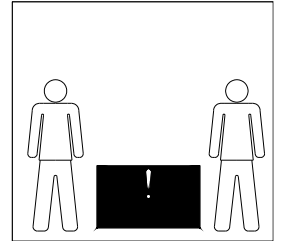
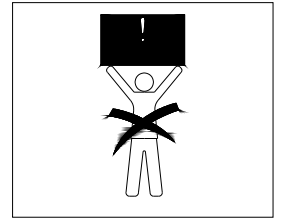
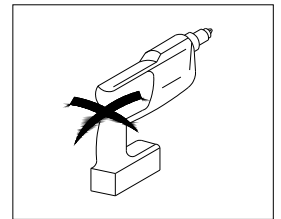
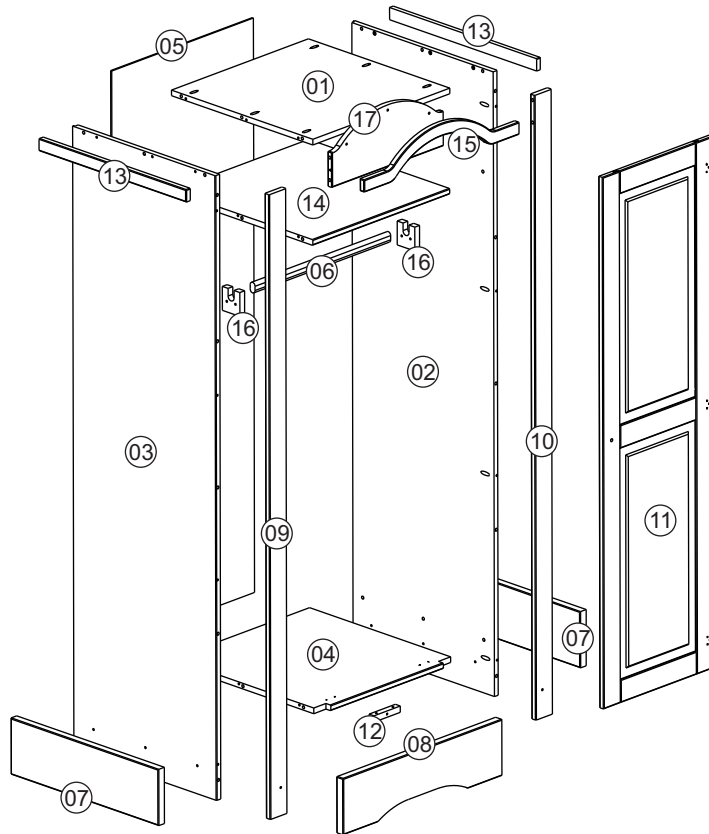
IMPORTANT

PLEASE READ BEFORE YOU CONTINUE FURTHER

CARE AND MAINTENANCE

After unpacking this product please keep the original packaging in case it needs to be returned for any reason.

- Please ensure all fittings and parts are present before commencing with assembly.
- We recommend that you lay a blanket or sheet on the floor to avoid damage to both your floor and the product.
- We strongly recommend that you keep children away from your work area.
- Assemble this product as close to its final position as possible.
- Never drag or push products as this could cause damage to the joints making it inferior.
- Do not place this product next to a radiator or in direct sunlight.
- Wood is a natural product and may expand if subjected to damp and may shrink or crack if subjected to heat. Therefore it is recommended that room temperature is maintained, with no sudden temperature fluctuations.
- Make sure any spillage is wiped off immediately.
- Do not place hot or chilled items directly on to the surface, use a place mat or marking will occur.
- For general cleaning use a duster, and do not use detergents of any kind. However, the surface will need to be retreated from time to time. This can be done by using block wax (unperfumed) and rubbing it over the whole item.
- From time to time it may be necessary to tighten fittings, regular inspections should be carried out.



!
 * Use of power tools to assemble this product will invalidate any claim and damage this product making it unsafe !!!
 * Please assemble on a clean soft surface to avoid damage.

!
 * Please check contents and read the instructions before commencing assembly.
 * Assemble this product following the enclosed instructions carefully.
 * Please take care to avoid damaging panels during assembly.

PARTS LIST

01	Top Panel (Small)	01
02	Right Side Panel	01
03	Left Side Panel	01
04	Base	01
05	Back Panel	01
06	Hanging rail	01

07	Side Plinth	02
08	Front Plinth	01
09	Left front upright	01
10	Right Side Panel	01
11	Door	01
12	Support block	01

13	Top Side Plinth	02
14	Fixed Shelf	01
15	Top Front Plinth	01
16	Hanger support	02
17	Top Middle Plinth	01

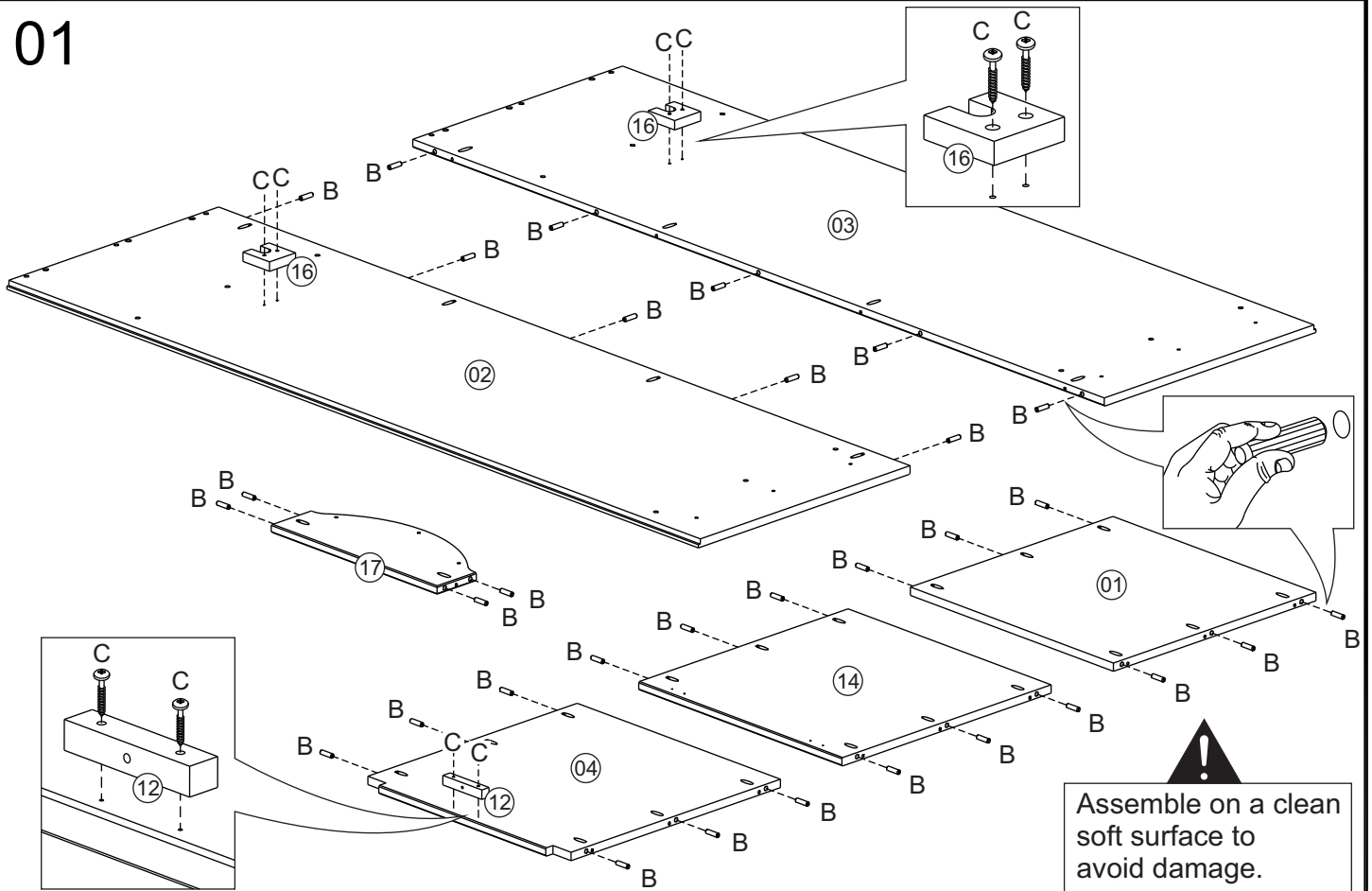
FITTINGS

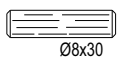
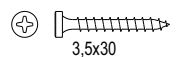
A		32
B		32
C		14
D		32
E		26
F		02

G		02
H		02
I		01
J		03

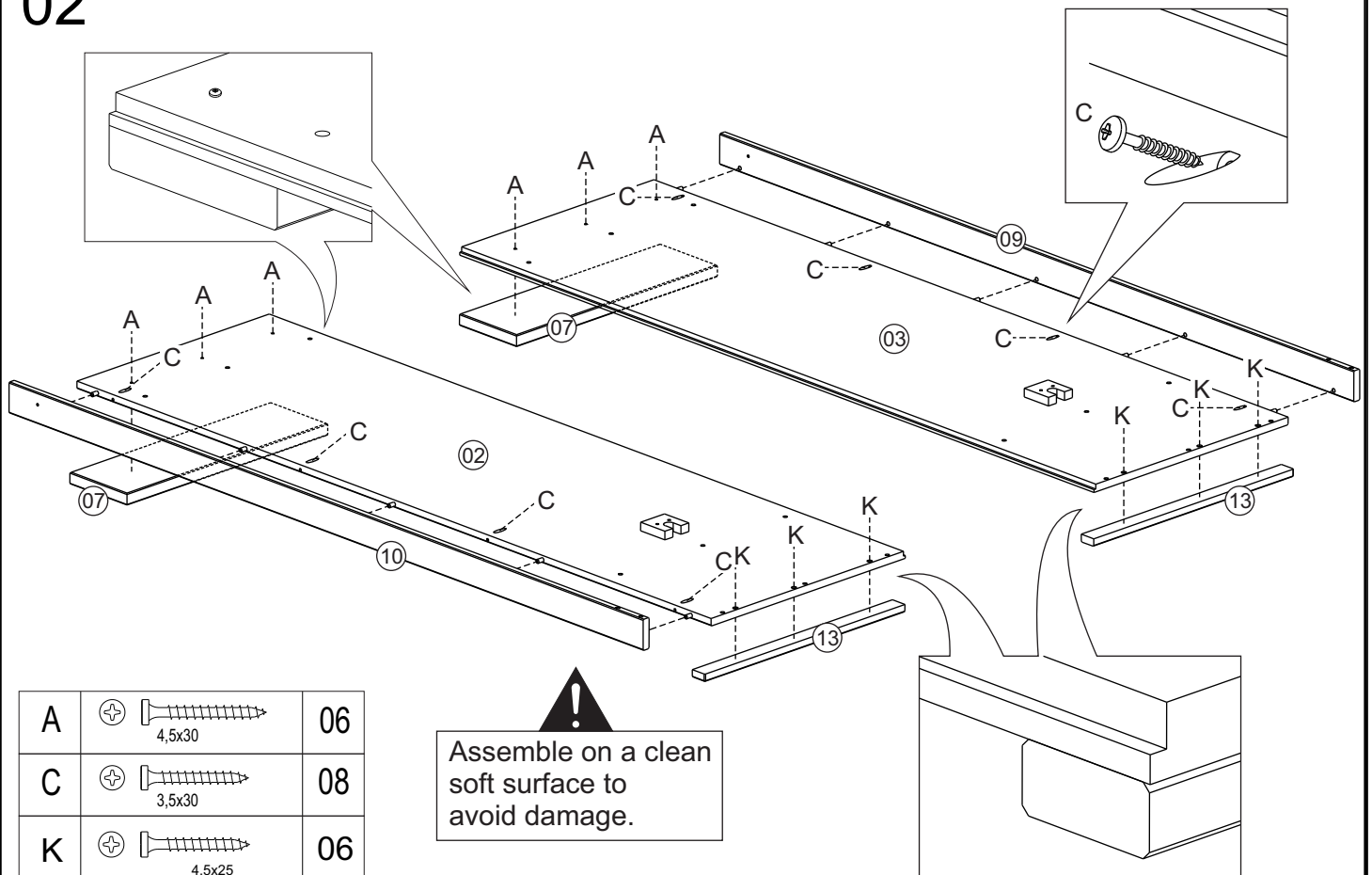
K		06
L		01

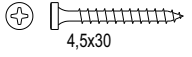
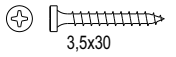
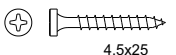
01



B		32	C		06
---	---	----	---	---	----

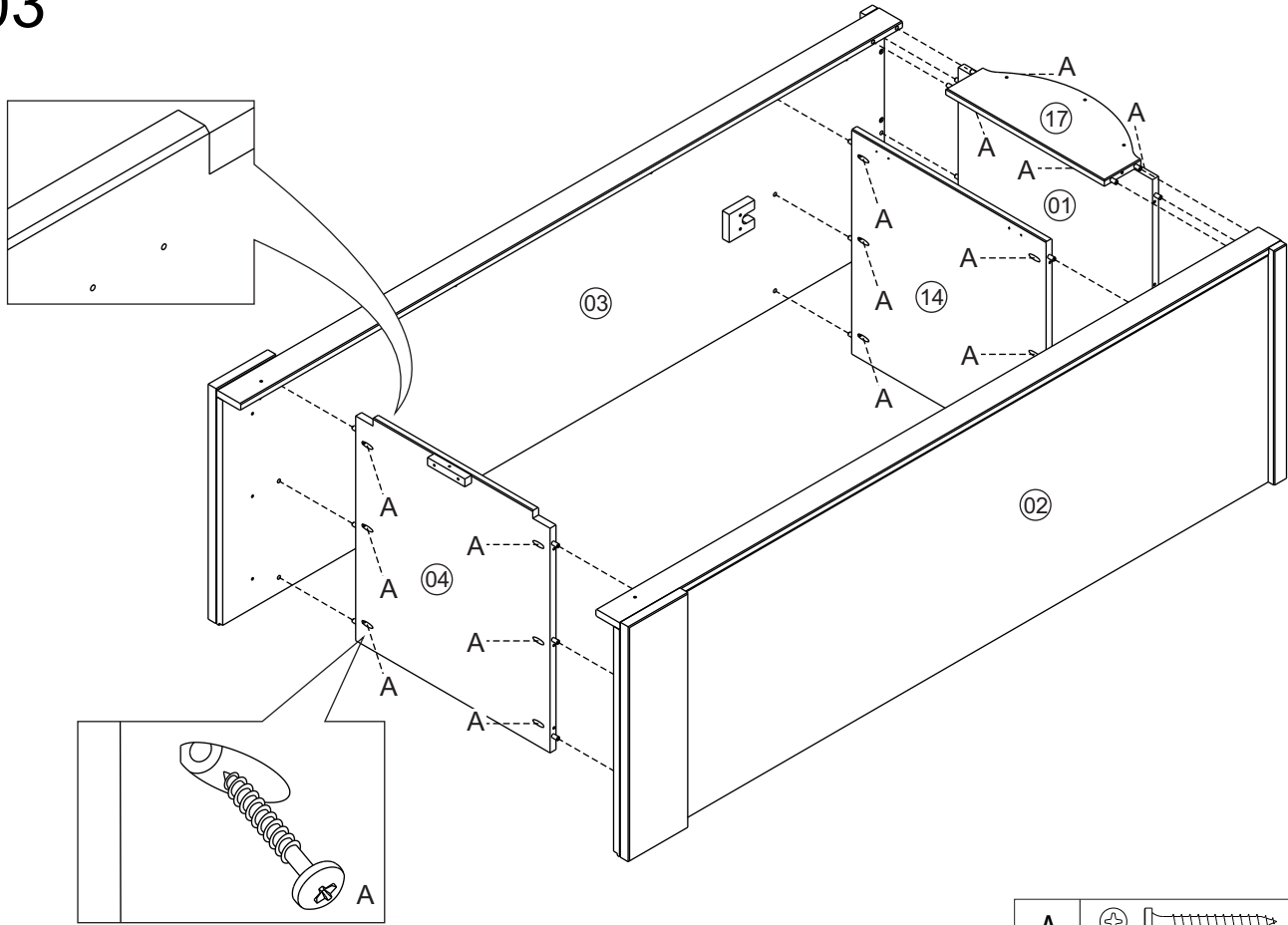
02




A		06
C		08
K		06

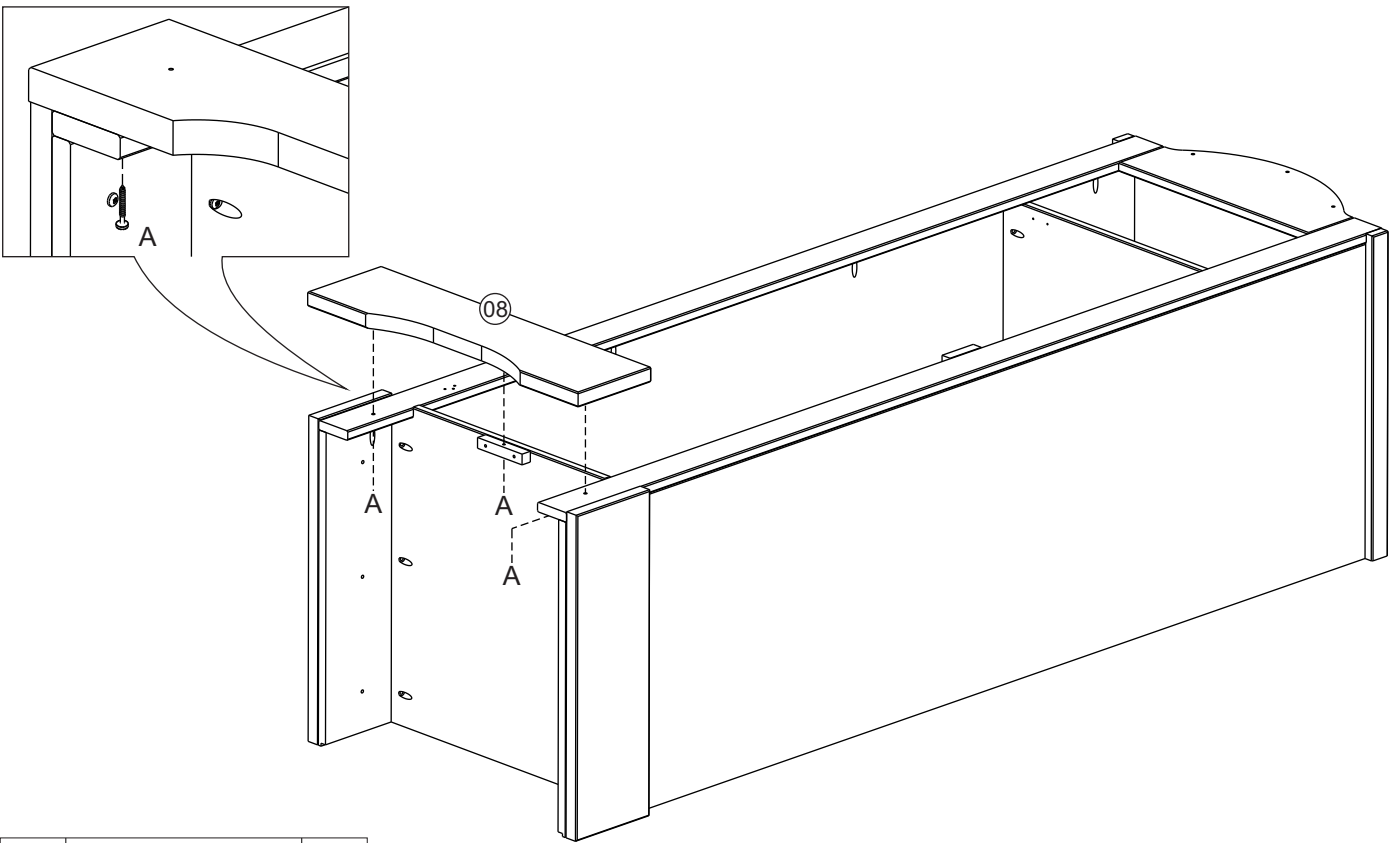
Assemble on a clean soft surface to avoid damage.


03



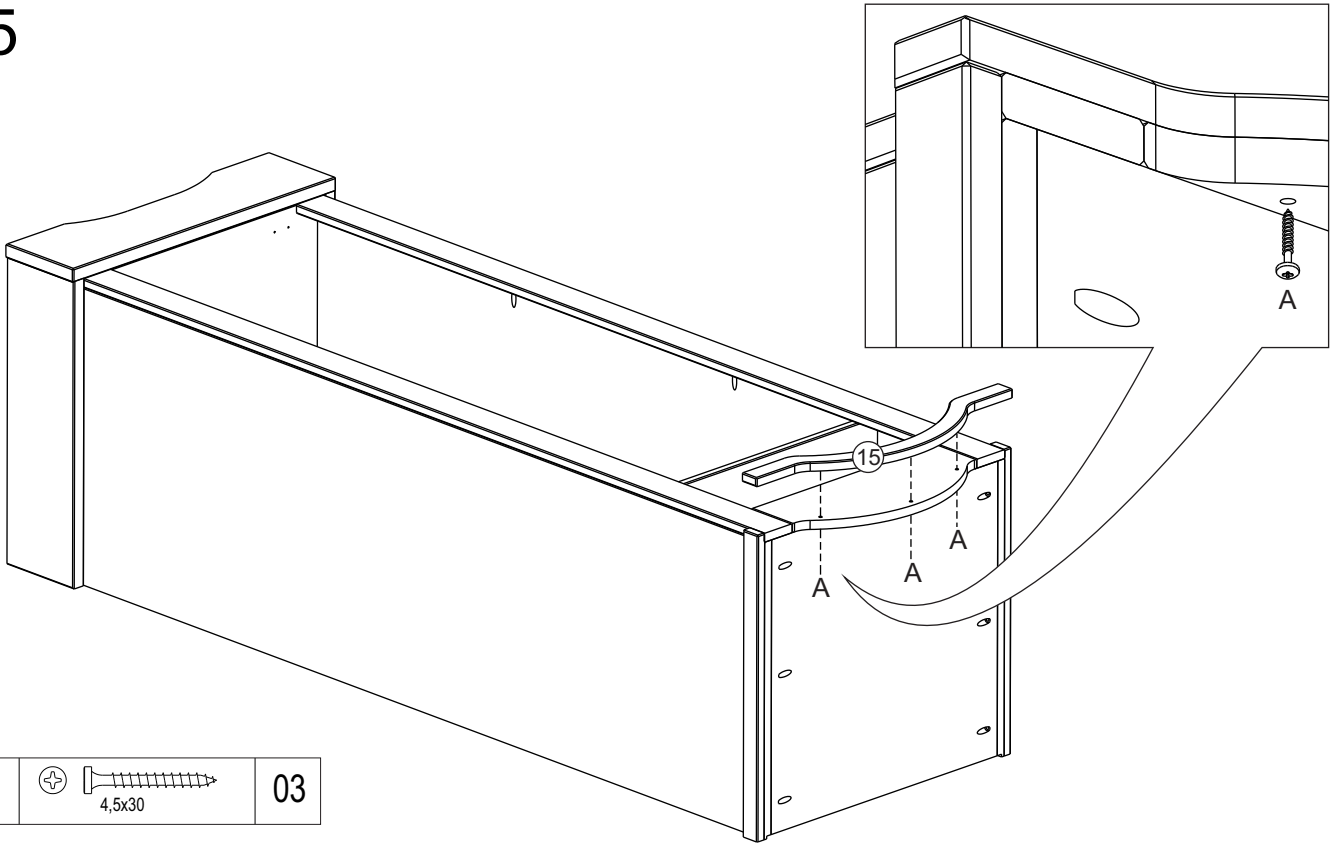
A		4,5x30	20
---	---	--------	----


04



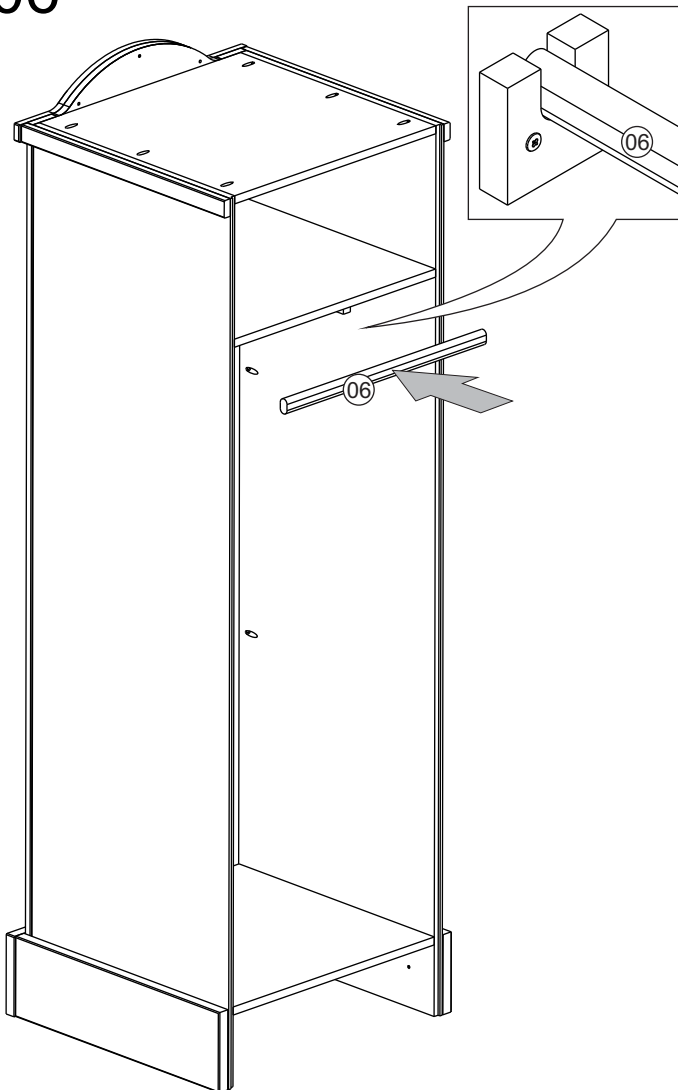
A		4,5x30	03
---	---	--------	----

05

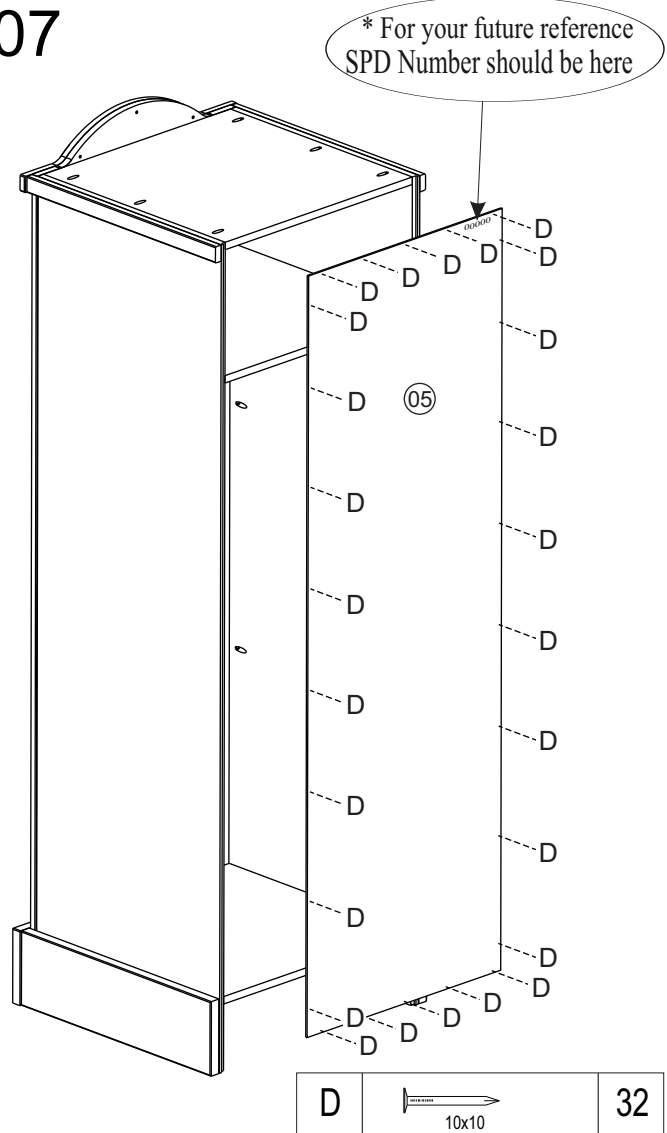


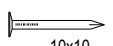
A		4,5x30	03
---	---	--------	----

06

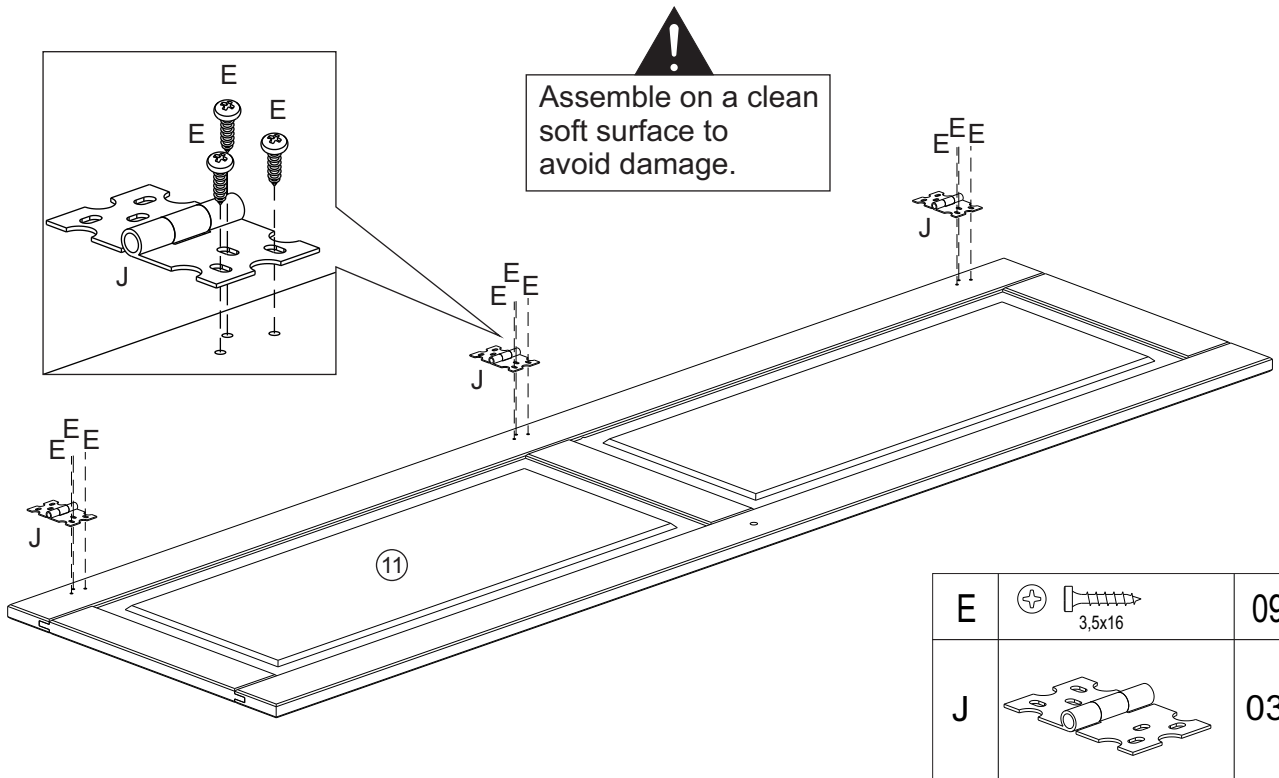


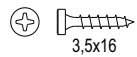
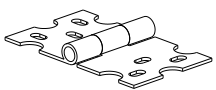
07



D		10x10	32
---	---	-------	----

08

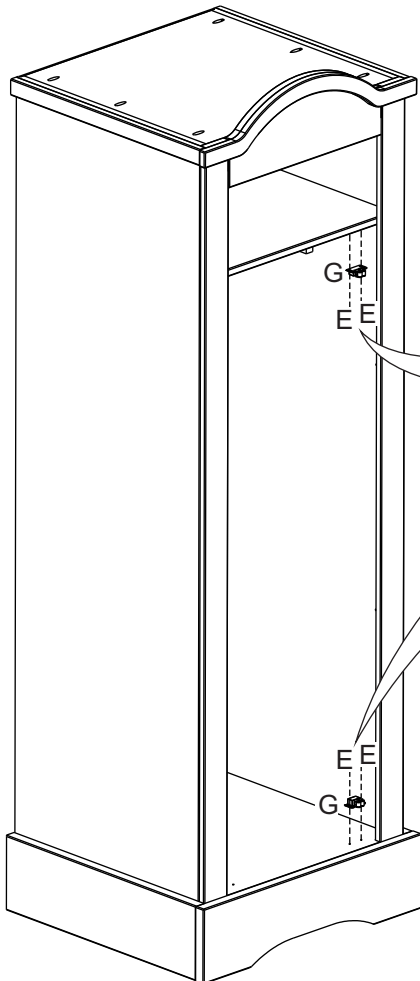


E	 3,5x16	09
J		03

POSITION THE DOOR TO THE LEFT OR RIGHT SIDE

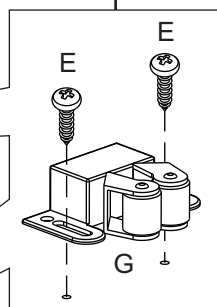
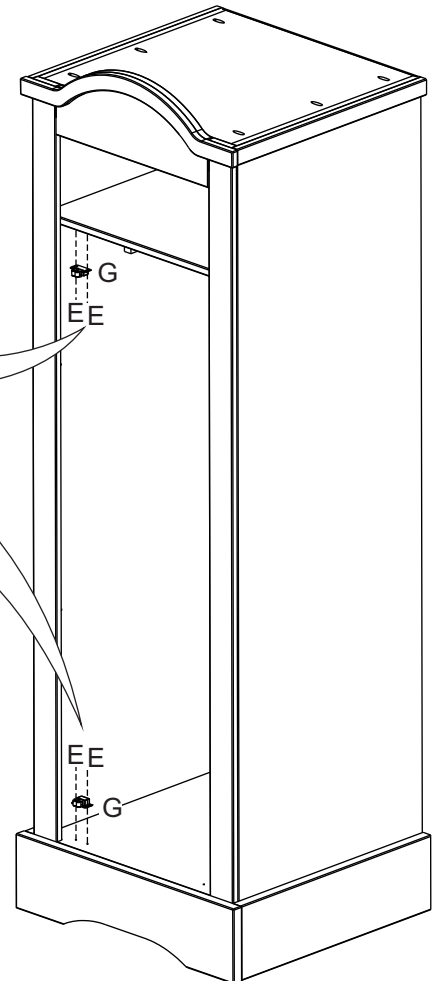
09

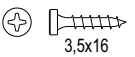

POSITION THE DOOR TO THE **LEFT** SIDE



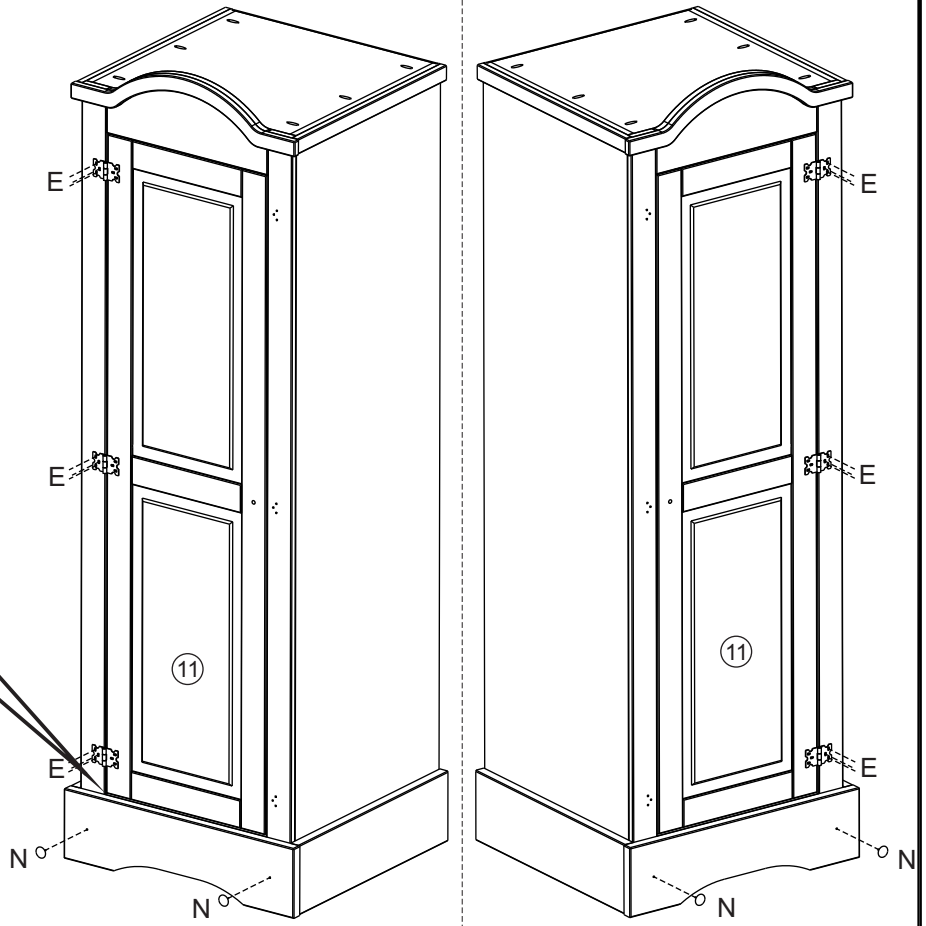
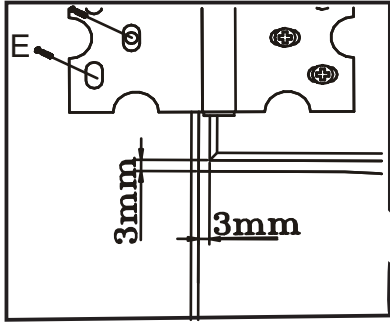
09



POSITION THE DOOR TO THE **RIGHT** SIDE



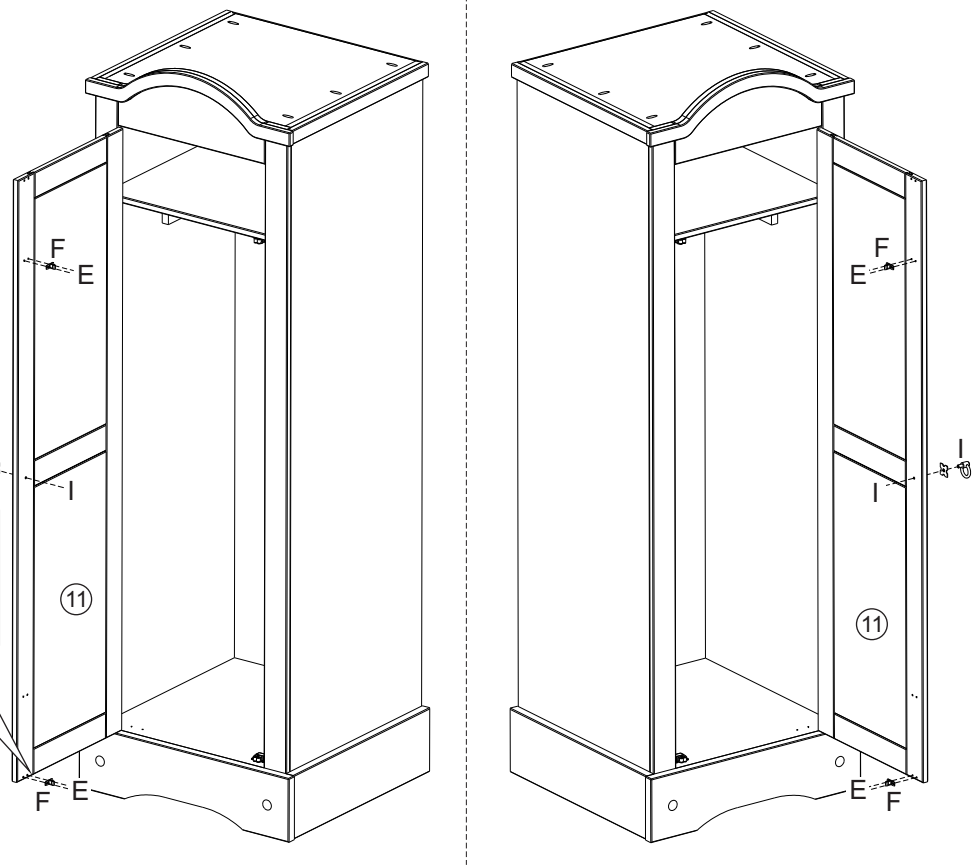
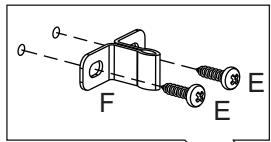
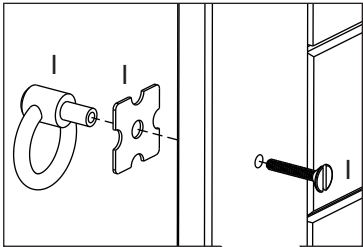
E	 3,5x16	04
G		02




10



E	 3,5x16	09
N		02

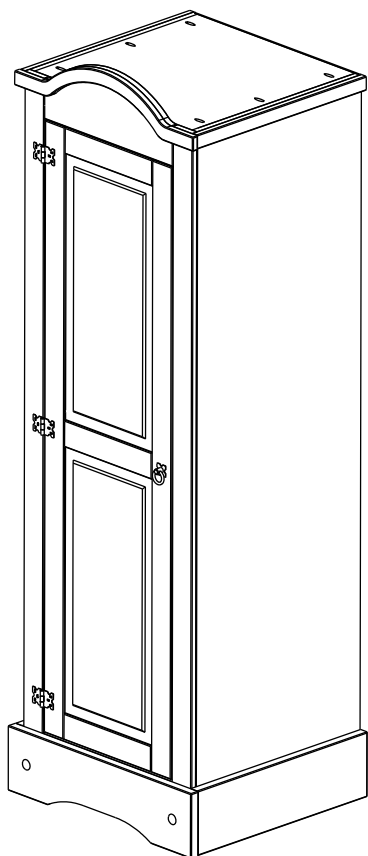
11



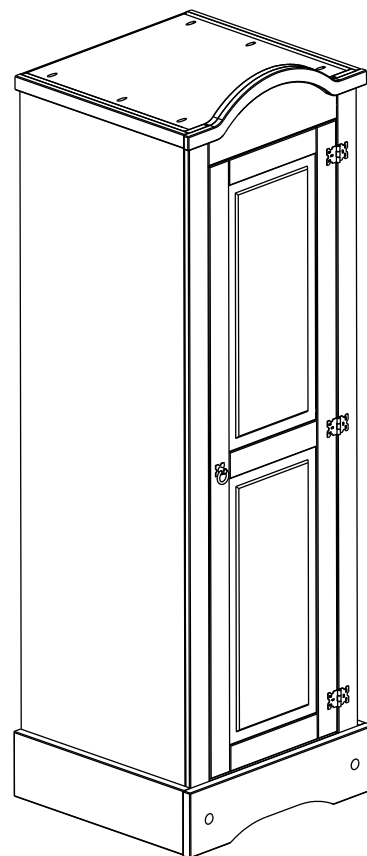
E	 3,5x16	04
F		02
I	 Black	01

12

POSITION THE DOOR
TO THE **LEFT** SIDE



POSITION THE DOOR
TO THE **RIGHT** SIDE



WARNING

Serious or fatal injuries can occur from furniture tipping over. To prevent the furniture from tipping over we recommend that it is permanently fixed to the wall.

Wall fixings are not supplied with this product as different wall materials require different types of fixing devices.

Please make sure you use fixings suitable for the walls in your home.

HARDWARE LIST



Strap (Anti-Tip Kit)
(1x)



Wood Screw (Anti-Tip Kit)
3,5 x 25mm (1x)



Washer (Anti-Tip Kit)
(2x)

