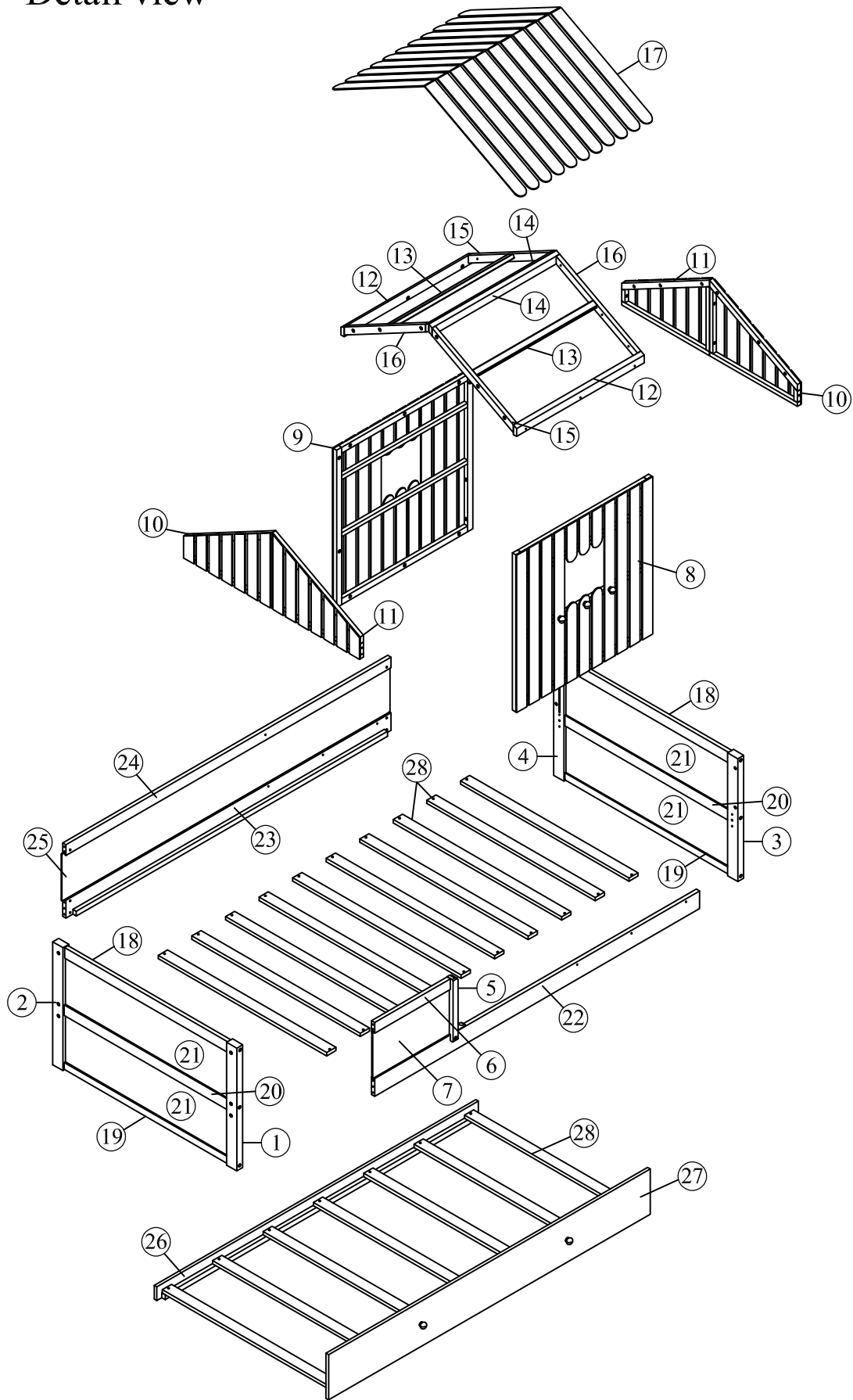




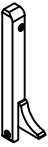
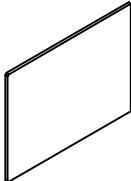
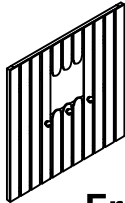

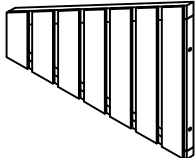
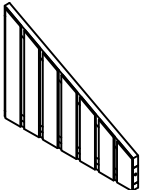
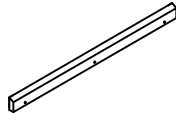
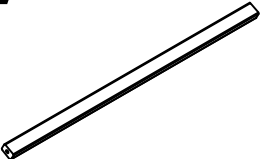
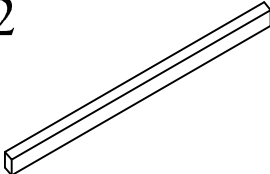




# Detail view



## Part List (WF294102)

<p>① x1</p>  <p style="text-align: center;"><b>Foodboard - Right Leg</b></p>	<p>② x1</p>  <p style="text-align: center;"><b>Foodboard - Left Leg</b></p>
<p>③ x1</p>  <p style="text-align: center;"><b>Headboard - Right Leg</b></p>	<p>④ x1</p>  <p style="text-align: center;"><b>Headboard - Left Leg</b></p>
<p>⑤ x1</p>  <p style="text-align: center;"><b>Headboard - Right Leg</b></p>	<p>⑥ x1</p>  <p style="text-align: center;"><b>Front Rail Side Guard</b></p>
<p>⑦ x1</p>  <p style="text-align: center;"><b>Front Rail Side Panel</b></p>	<p>⑧ x1</p>  <p style="text-align: center;"><b>Front Frame Panel</b></p>
<p>⑨ x1</p>  <p style="text-align: center;"><b>Back Frame Panel</b></p>	<p>⑩ x2</p>  <p style="text-align: center;"><b>Under Frame Panel</b></p>
<p>⑪ x2</p>  <p style="text-align: center;"><b>Under Frame Panel</b></p>	<p>⑫ x2</p>  <p style="text-align: center;"><b>Under Frame Panel</b></p>
<p>⑬ x2</p>  <p style="text-align: center;"><b>Under Frame Panel</b></p>	<p>⑭ x2</p>  <p style="text-align: center;"><b>Under Frame Panel</b></p>

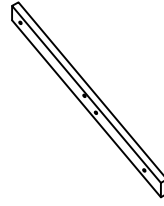
## Part List (WF294102)

15 x2



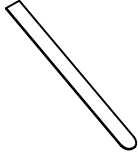
**Under Frame Panel**

16 x2



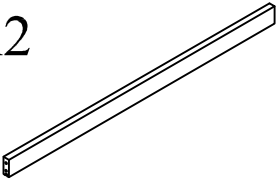
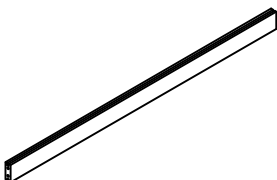
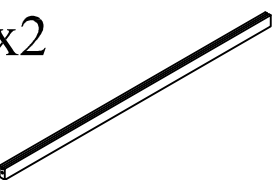
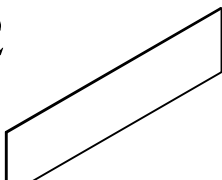
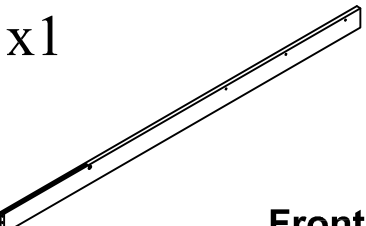
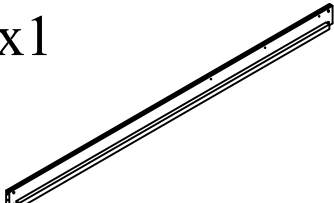
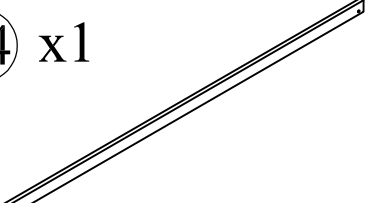
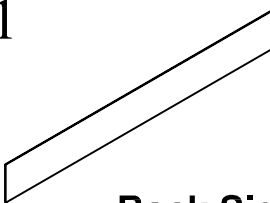
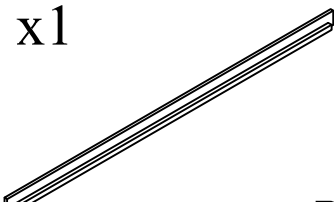
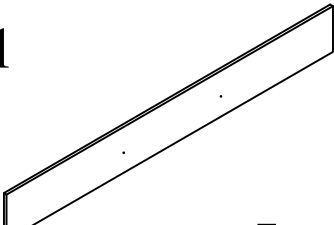
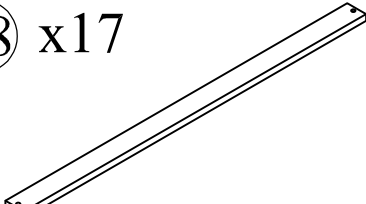
**Under Frame Panel**

17 x22


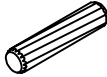




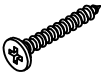
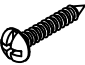




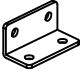

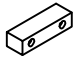




**Under Frame Panel**

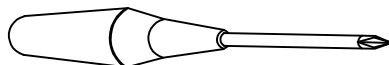
# Part List (WF294103)

<p>①8 x2</p>  <p>Headboard - Foodboard Guards</p>	<p>①9 x2</p>  <p>Headboard - Foodboard Guards</p>
<p>②0 x2</p>  <p>Headboard - Foodboard Guards</p>	<p>②1 x2</p>  <p>Headboard - Foodboard Panels</p>
<p>②2 x1</p>  <p>Front Side Rail</p>	<p>②3 x1</p>  <p>Back Side Rail</p>
<p>②4 x1</p>  <p>Back Side Rail Guard</p>	<p>②5 x1</p>  <p>Back Side Rail Panel</p>
<p>②6 x1</p>  <p>Back Trundel</p>	<p>②7 x1</p>  <p>Front Trundel</p>
<p>②8 x17</p>  <p>Slats</p>	




## Hardware List (WF294103)

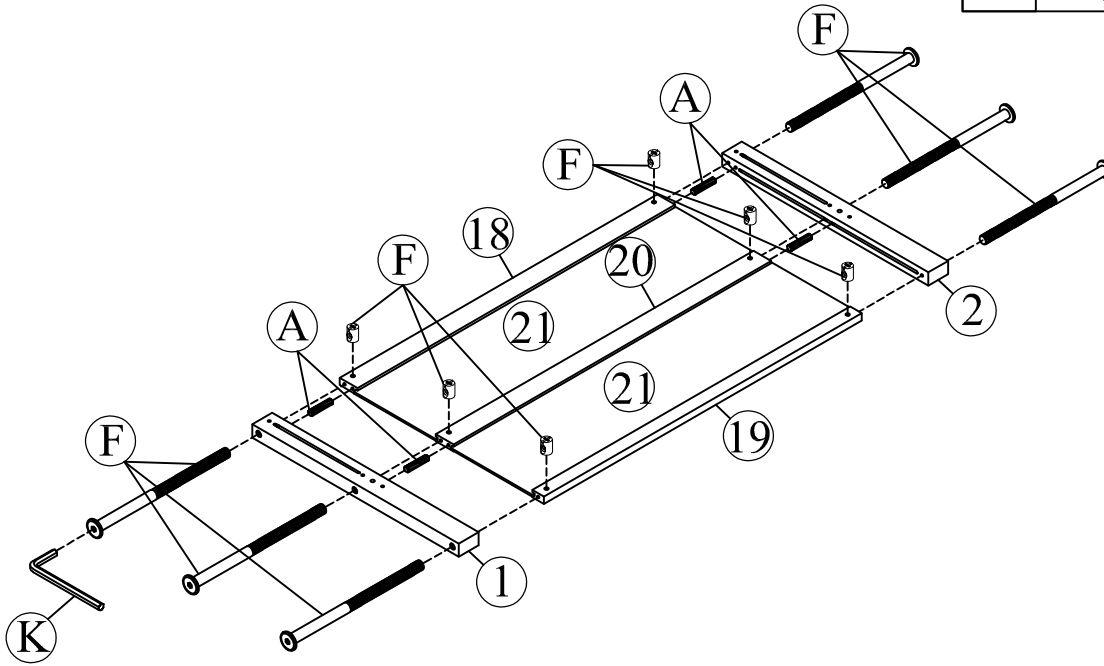
No.	OUTLOOK	DESC	QTY
(A)		Dowel Ø8*30mm	16
(B)		Dowel Ø10*40mm	04
(C)		Screws Ø6.5*40mm	08
(D)		Bolts 1/4"*30mm	40
(E)		Bolts 1/4"*70mm	12
(F)		Bolts 1/4"*100mm	12
(G)		Screws #8*25mm	38
(H)		Round head screw #8*20mm	66
(I)		Handle	03
(J)		Handle + bolt	02
(K)		Allen key 60*22*4mm	01
(L)		Screws #8*12mm	24
(M)		Base L small	02
(N)		Base L Big	02
(O)		Wood stops	02
(P)		Wheels	04
(Q)		Bolts 1/4"*60mm	04

### ASSEMBLY TOOLS REQUIRED (NOT INCLUDED)

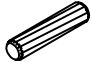




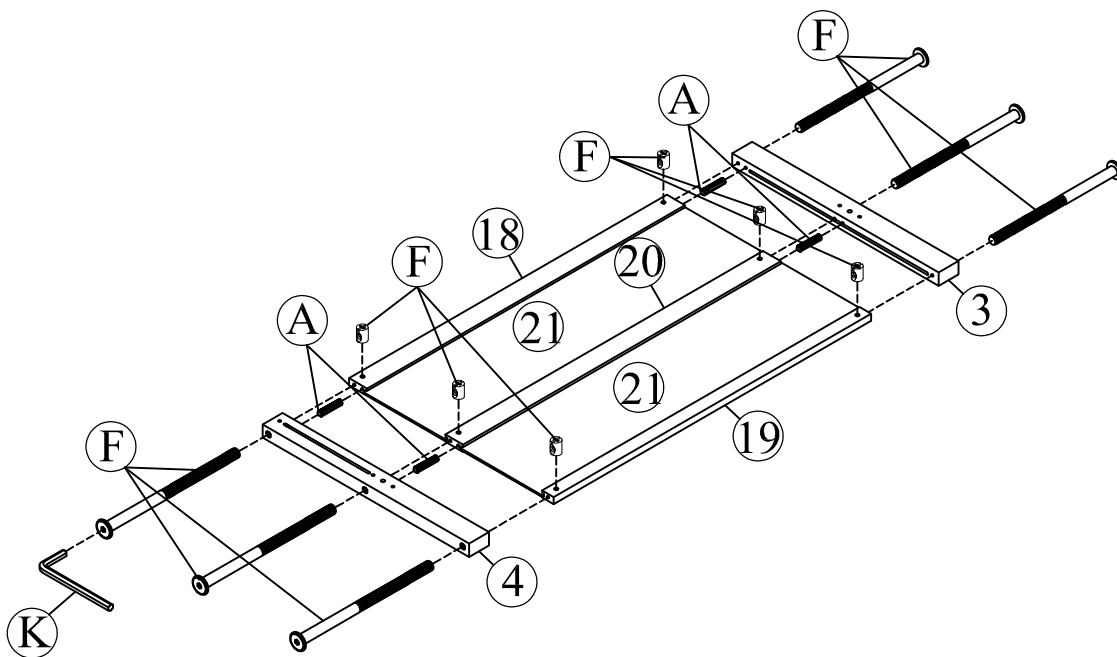
STEP 1:

(A)		04
(F)		06
(K)		01


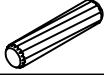




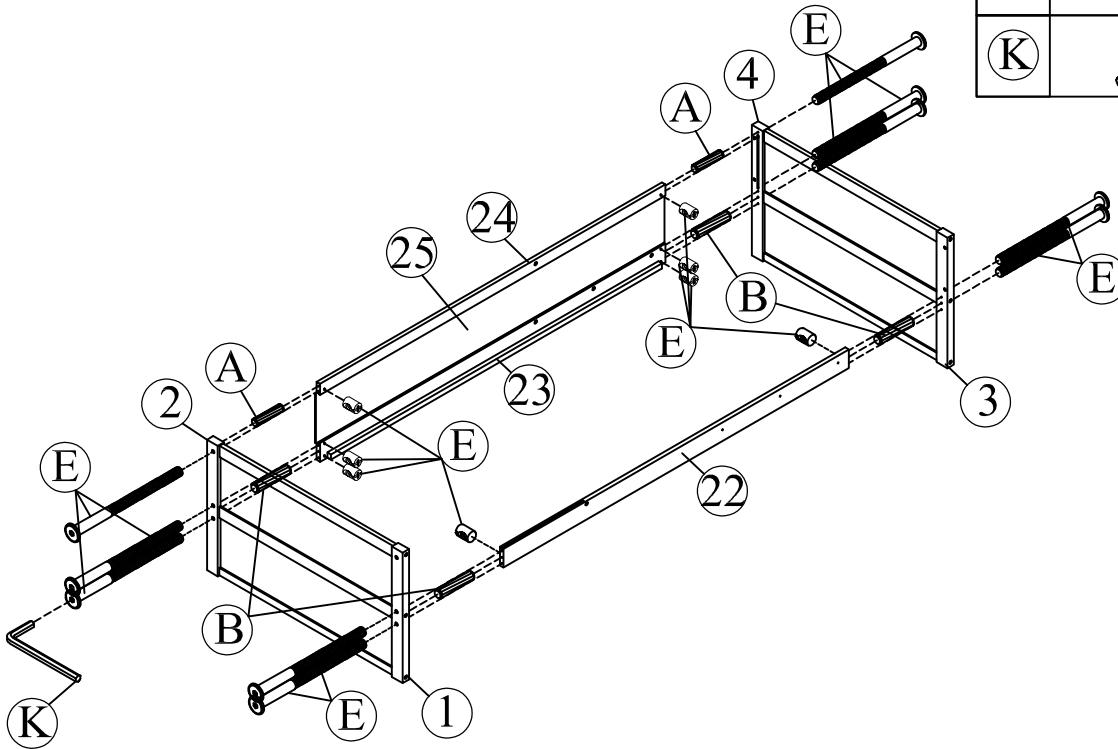
STEP 2:

(A)		04
(F)		06
(K)		01







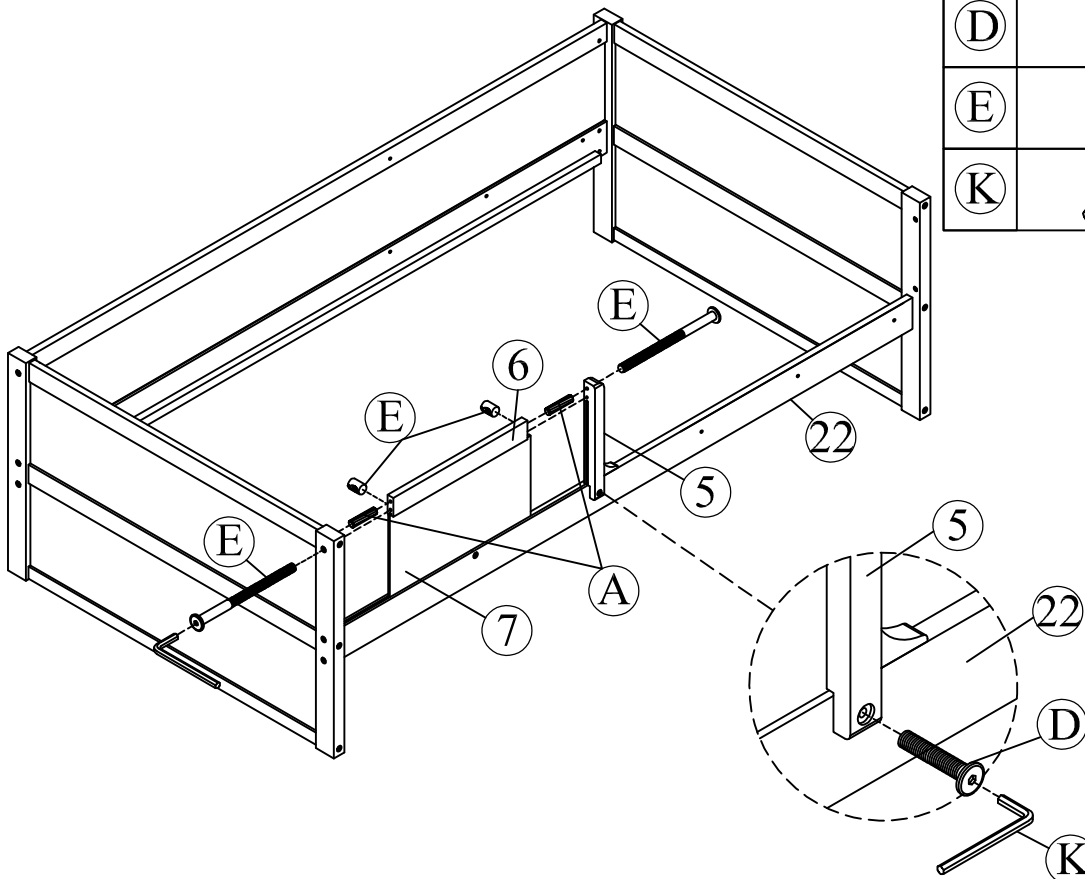
**STEP 3:**

(A)		02
(B)		04
(E)		10
(K)		01




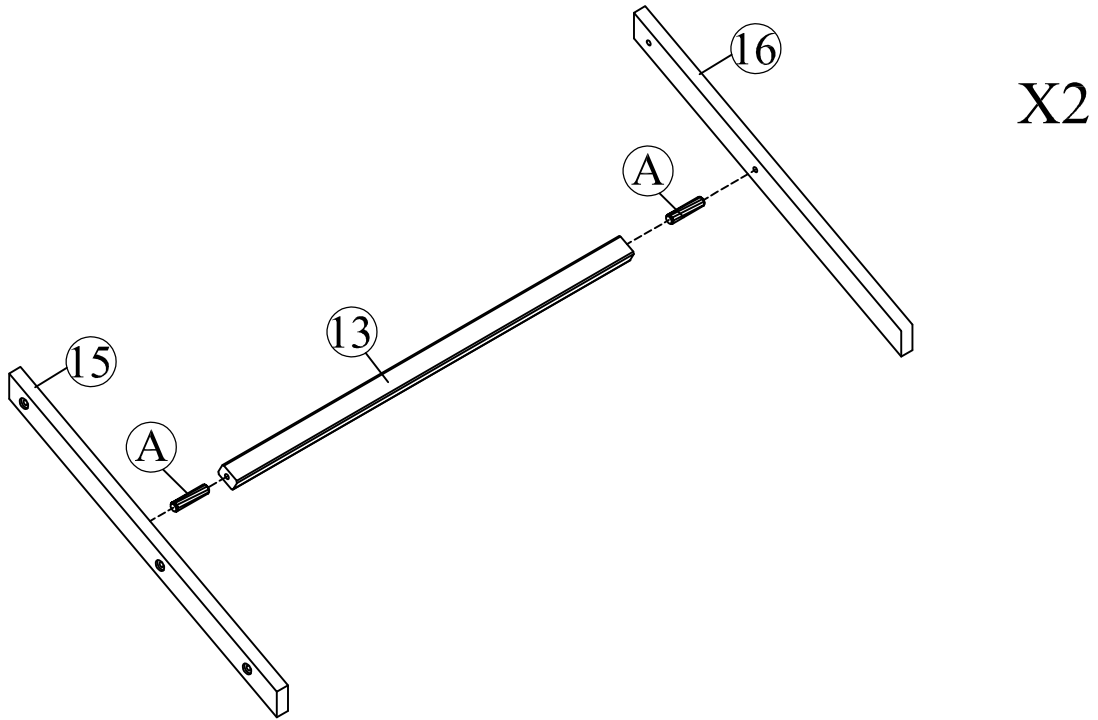
**STEP 4:**

(A)		02
(D)		01
(E)		02
(K)		01





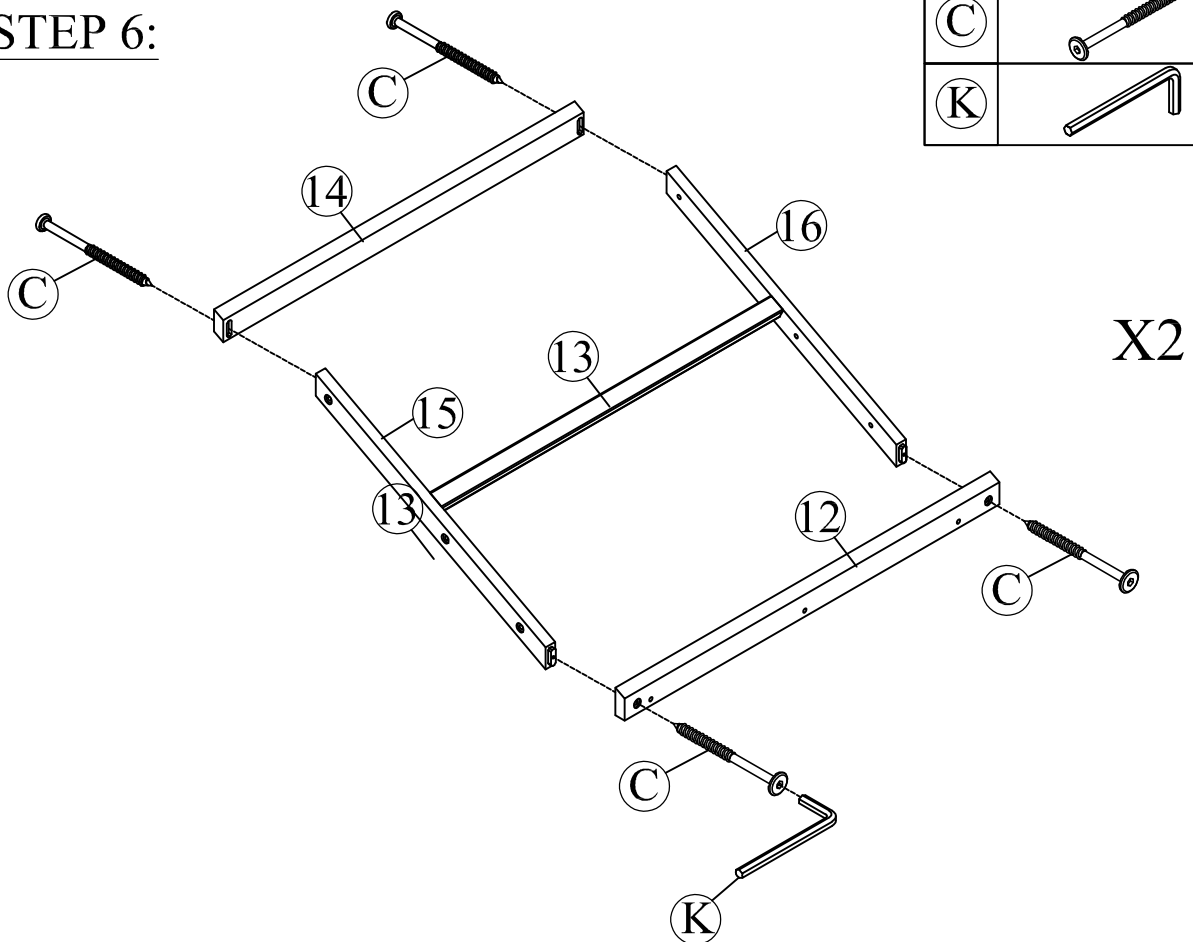
STEP 5:

(A)		04
-----	---	----





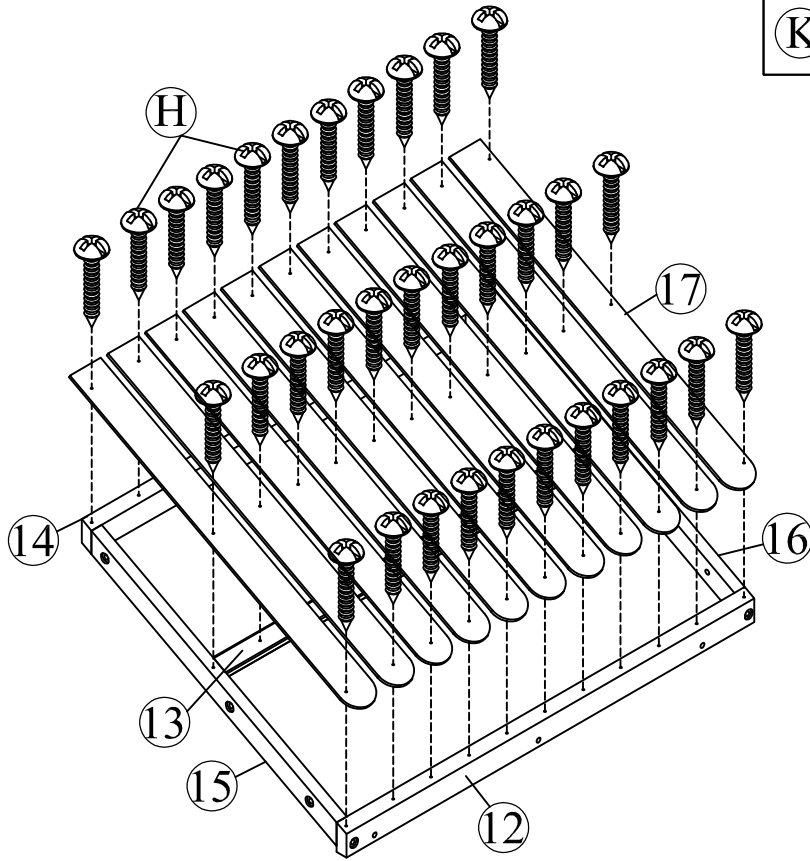
STEP 6:

(C)		08
(K)		01





STEP 7:

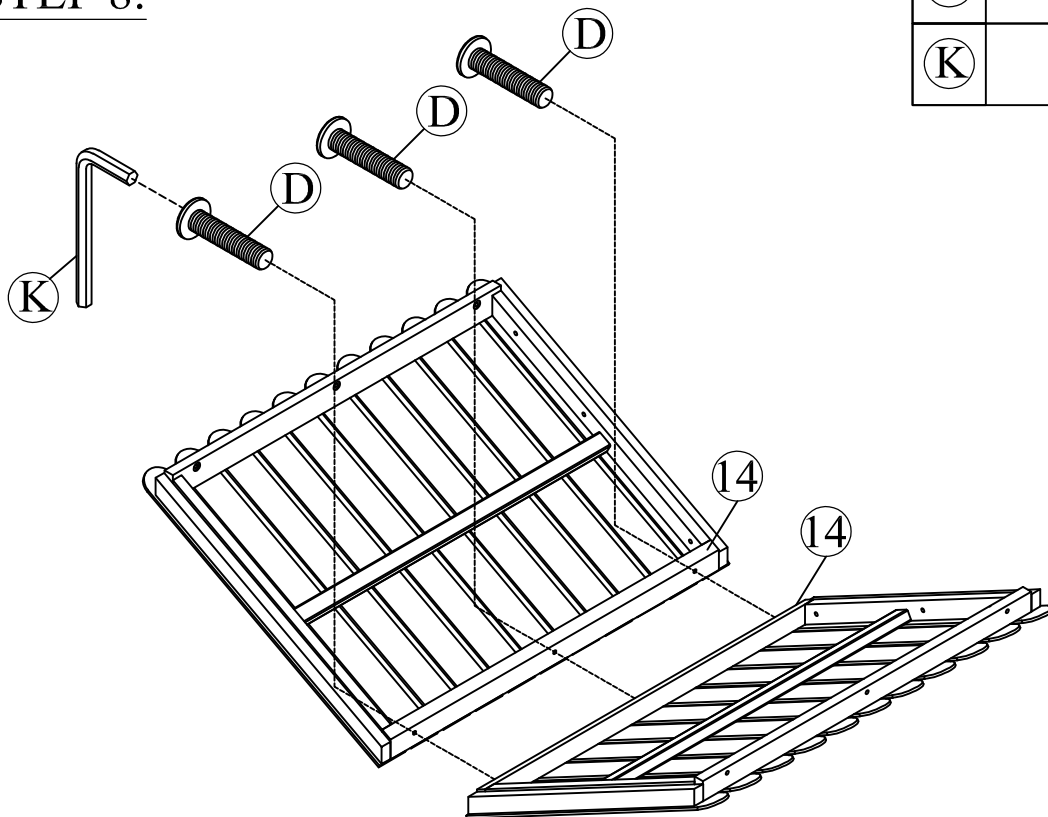
(H)		66
(K)		01





X2

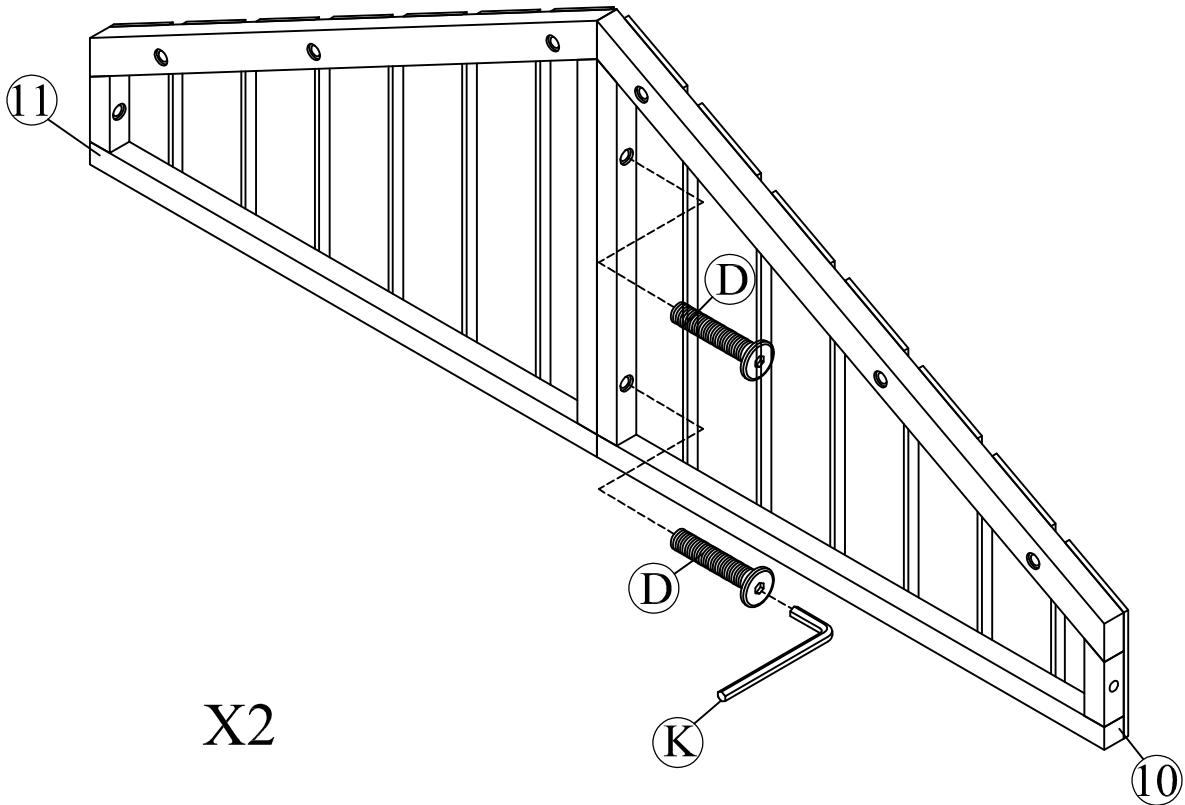
STEP 8:

(D)		03
(K)		01





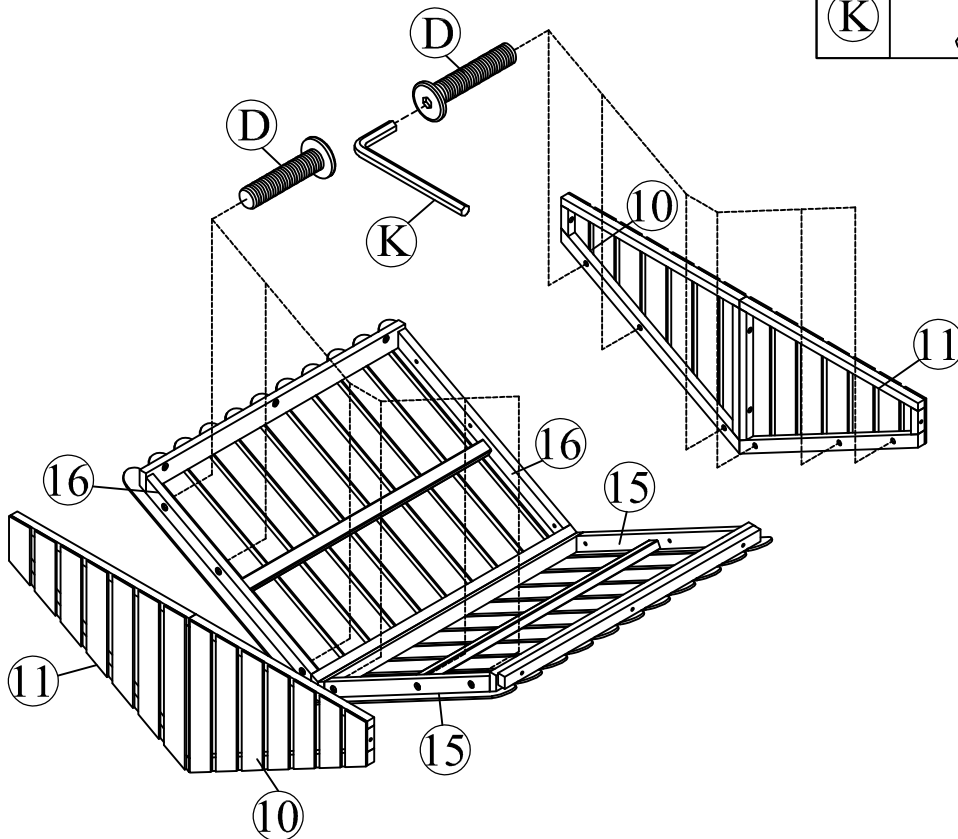
STEP 9:

(D)		04
(K)		01





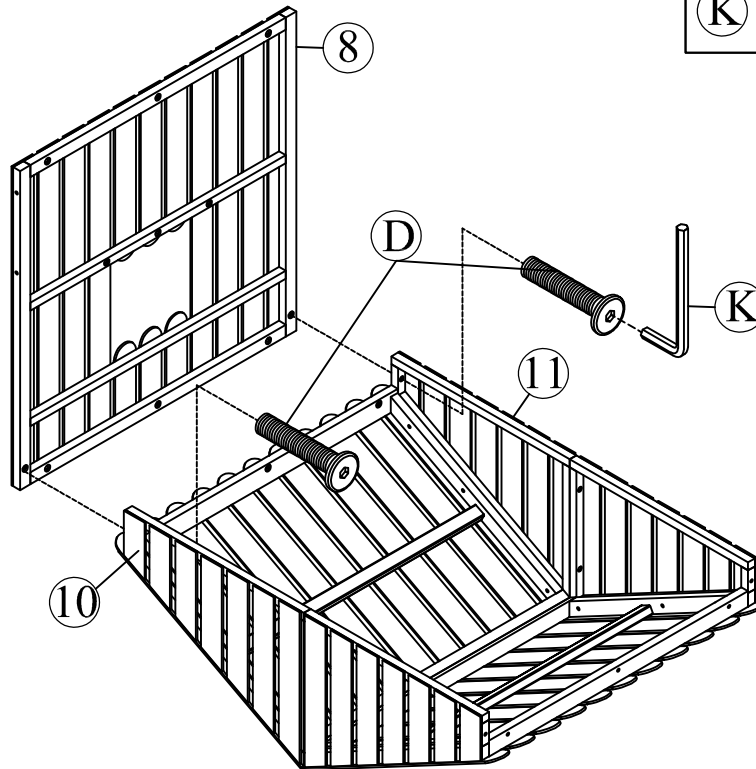
STEP 10:

(D)		12
(K)		01





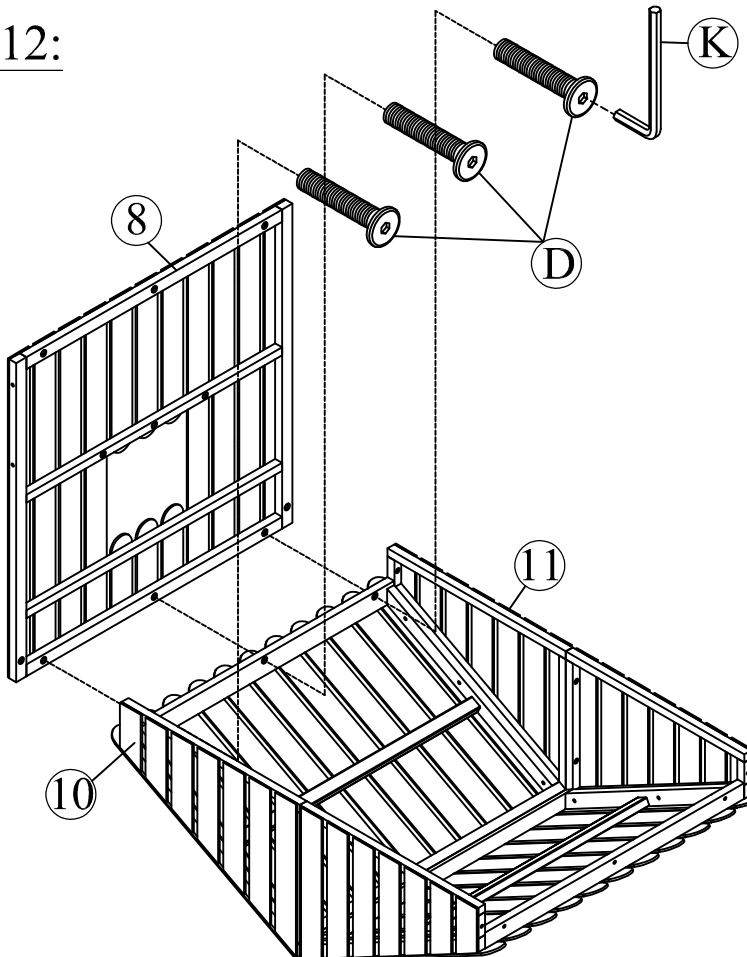
STEP 11:

(D)		02
(K)		01

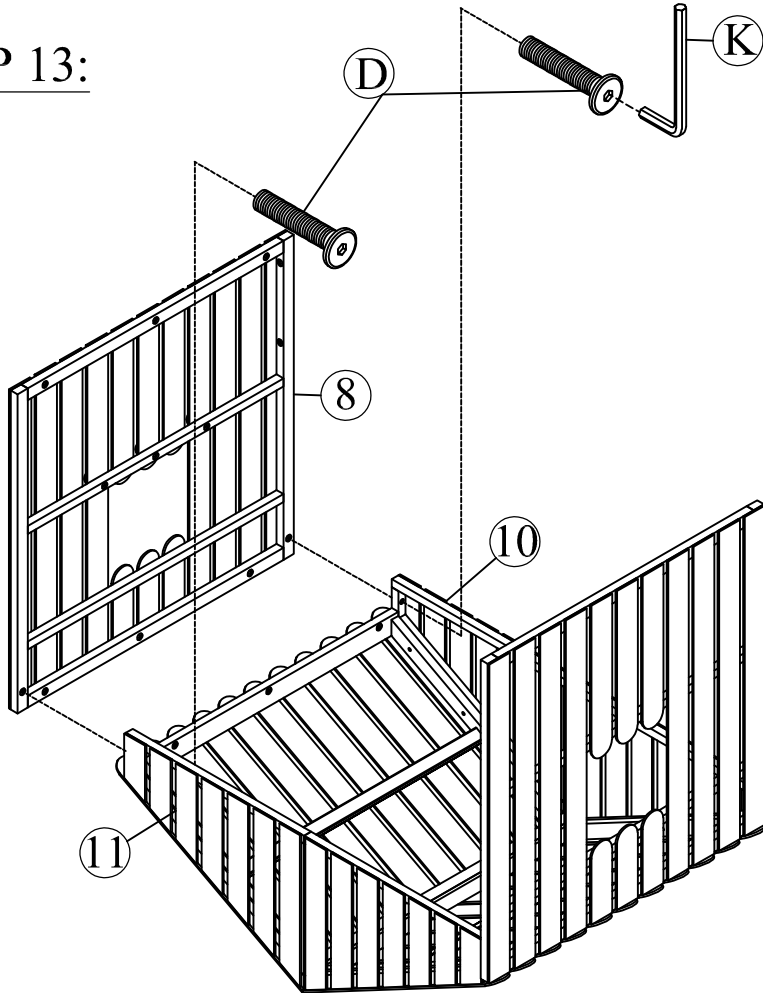




STEP 12:

(D)		03
(K)		01

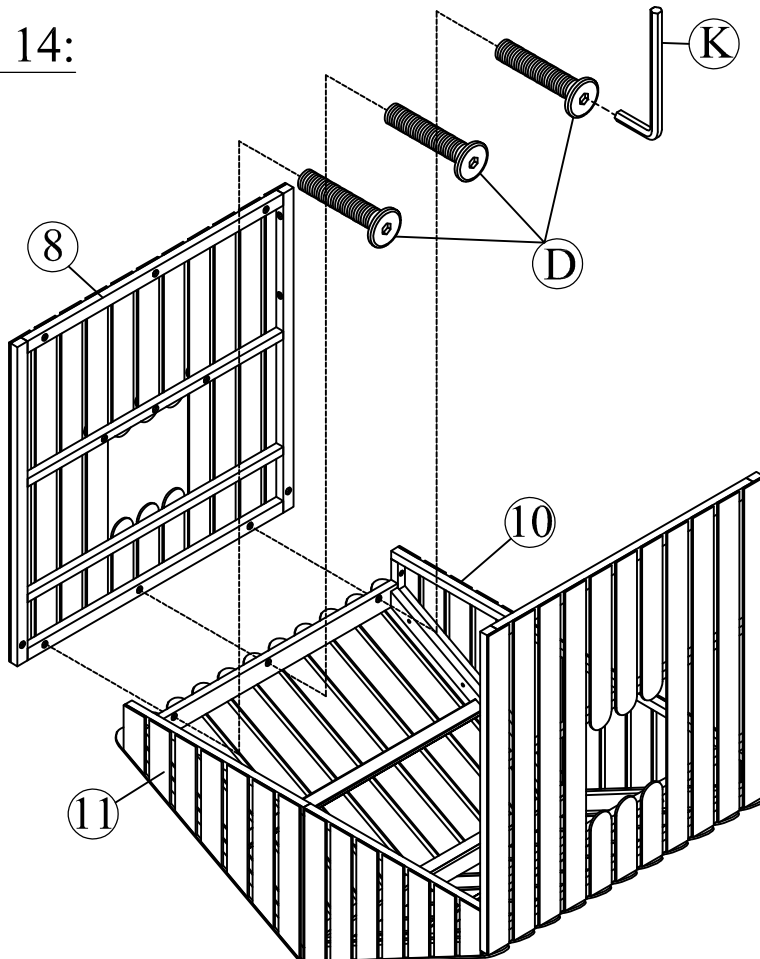




STEP 13:






(D)		02
(K)		01

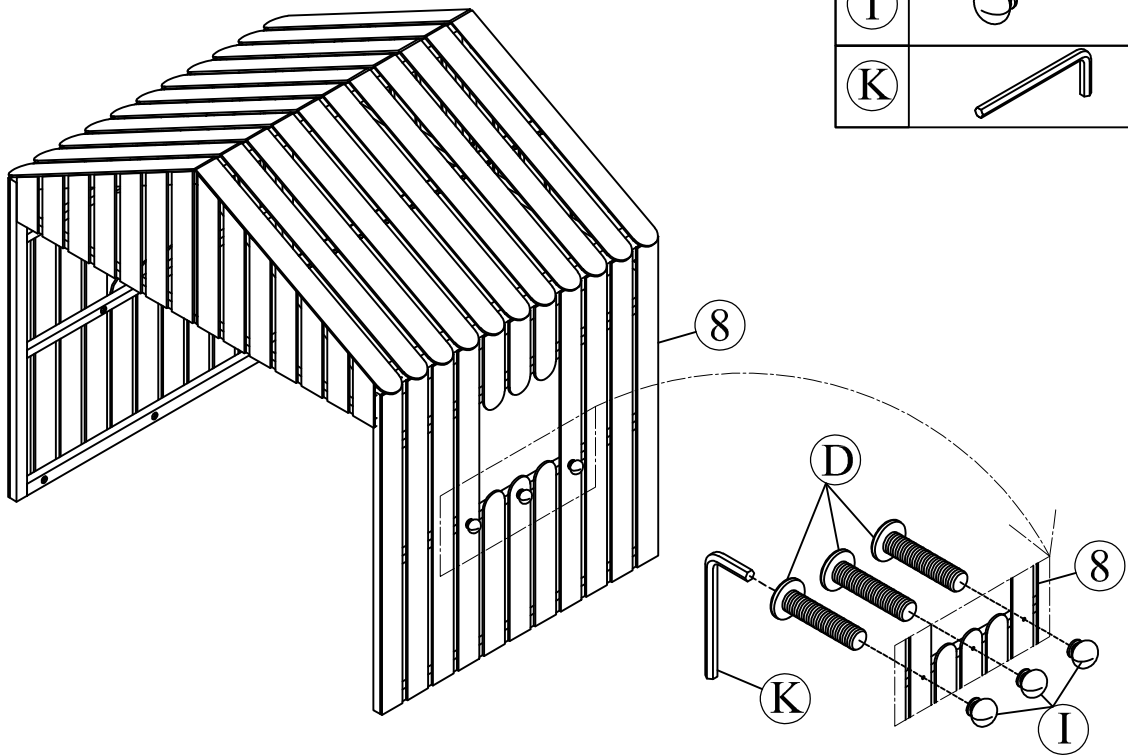
STEP 14:





(D)		03
(K)		01

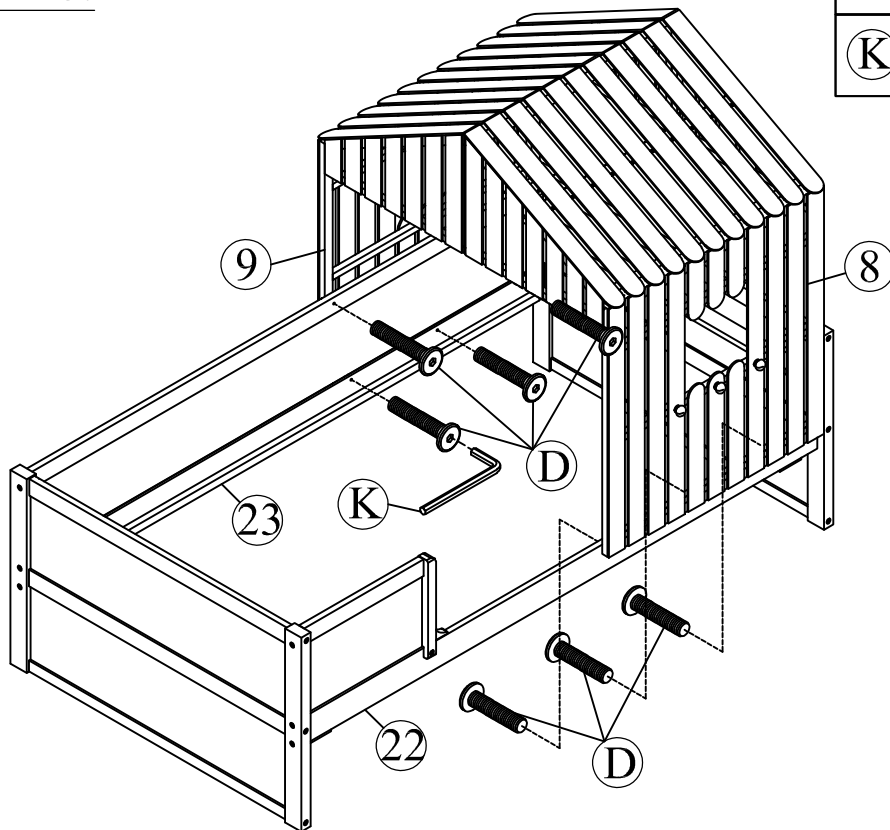
STEP 15:

(D)		03
(I)		03
(K)		01





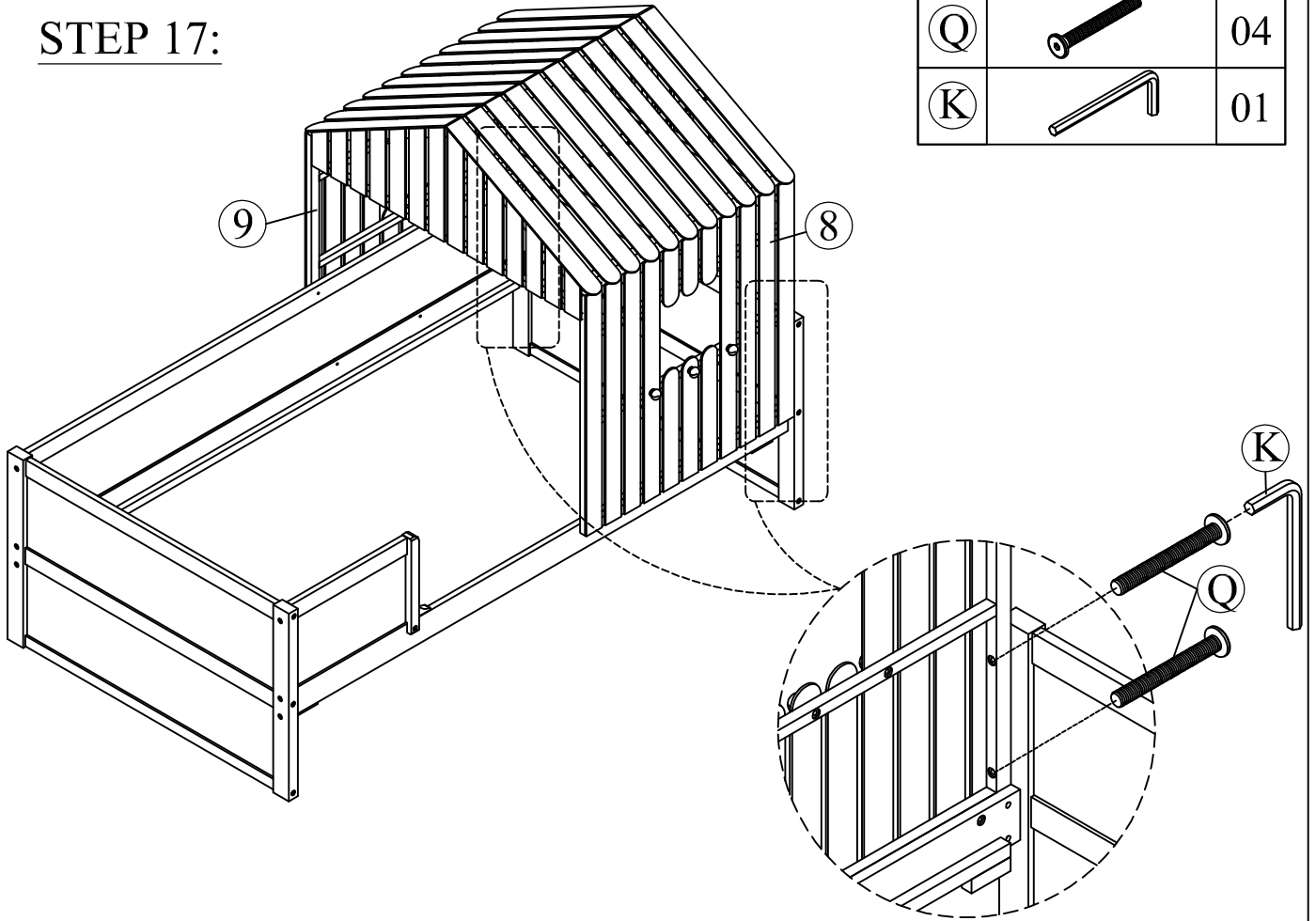
STEP 16:

(D)		07
(K)		01

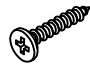


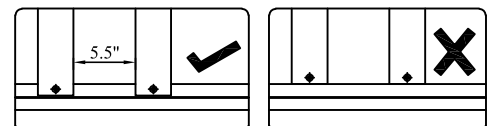
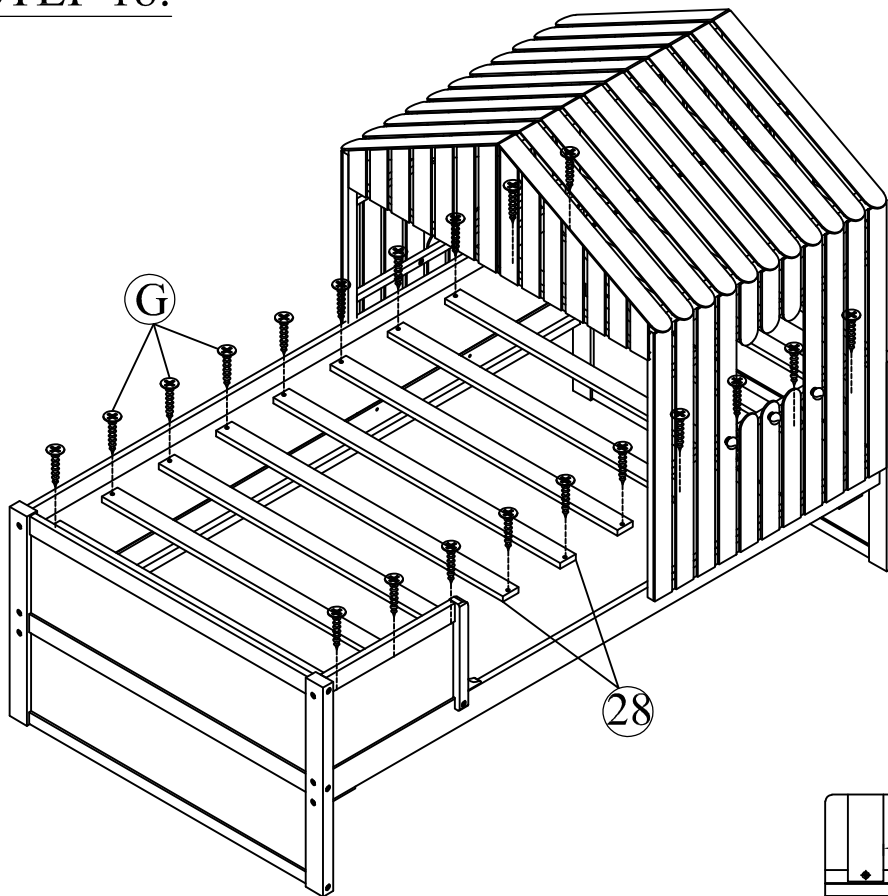
**STEP 17:**

Q		04
K		01


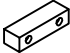


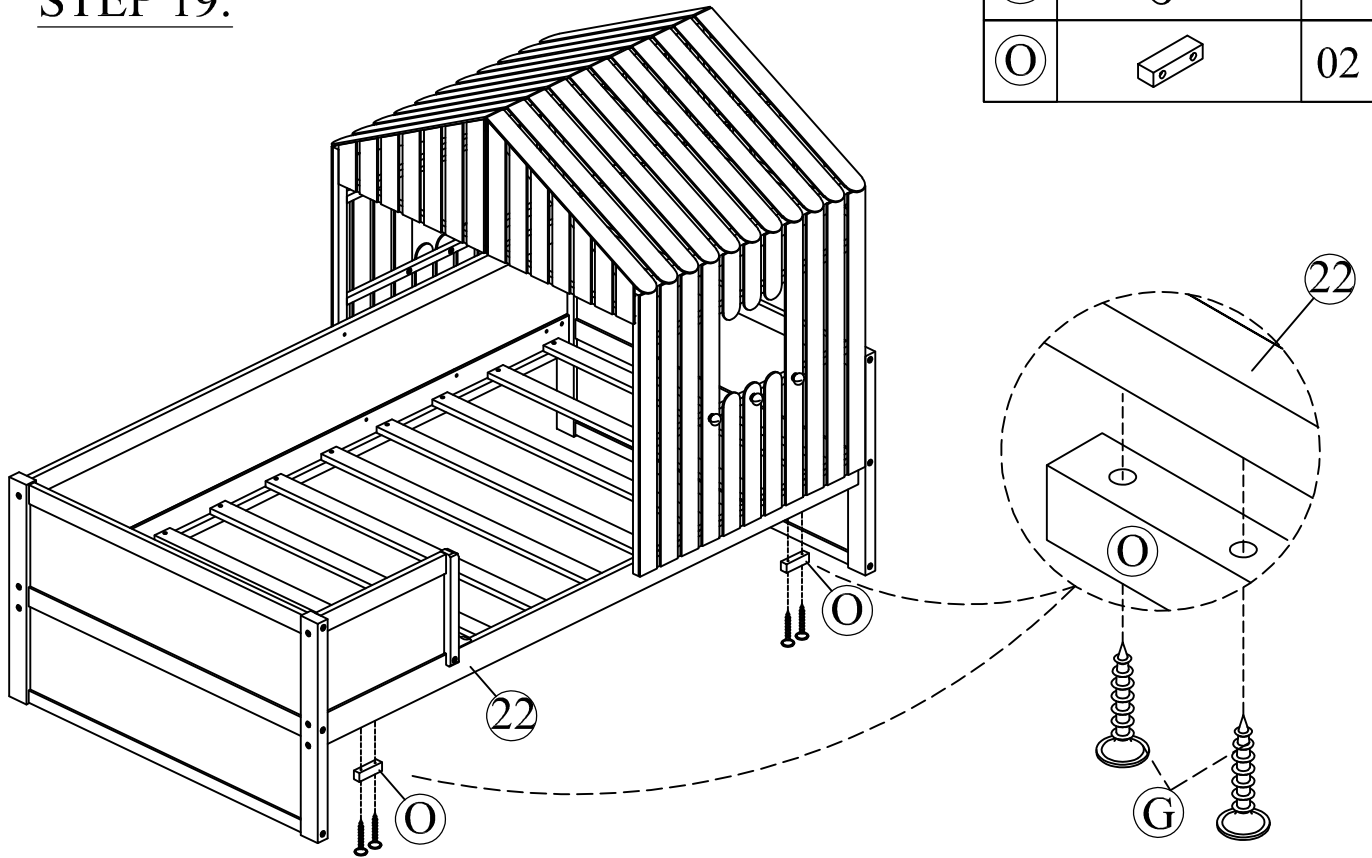
**STEP 18:**

G		20
---	---	----





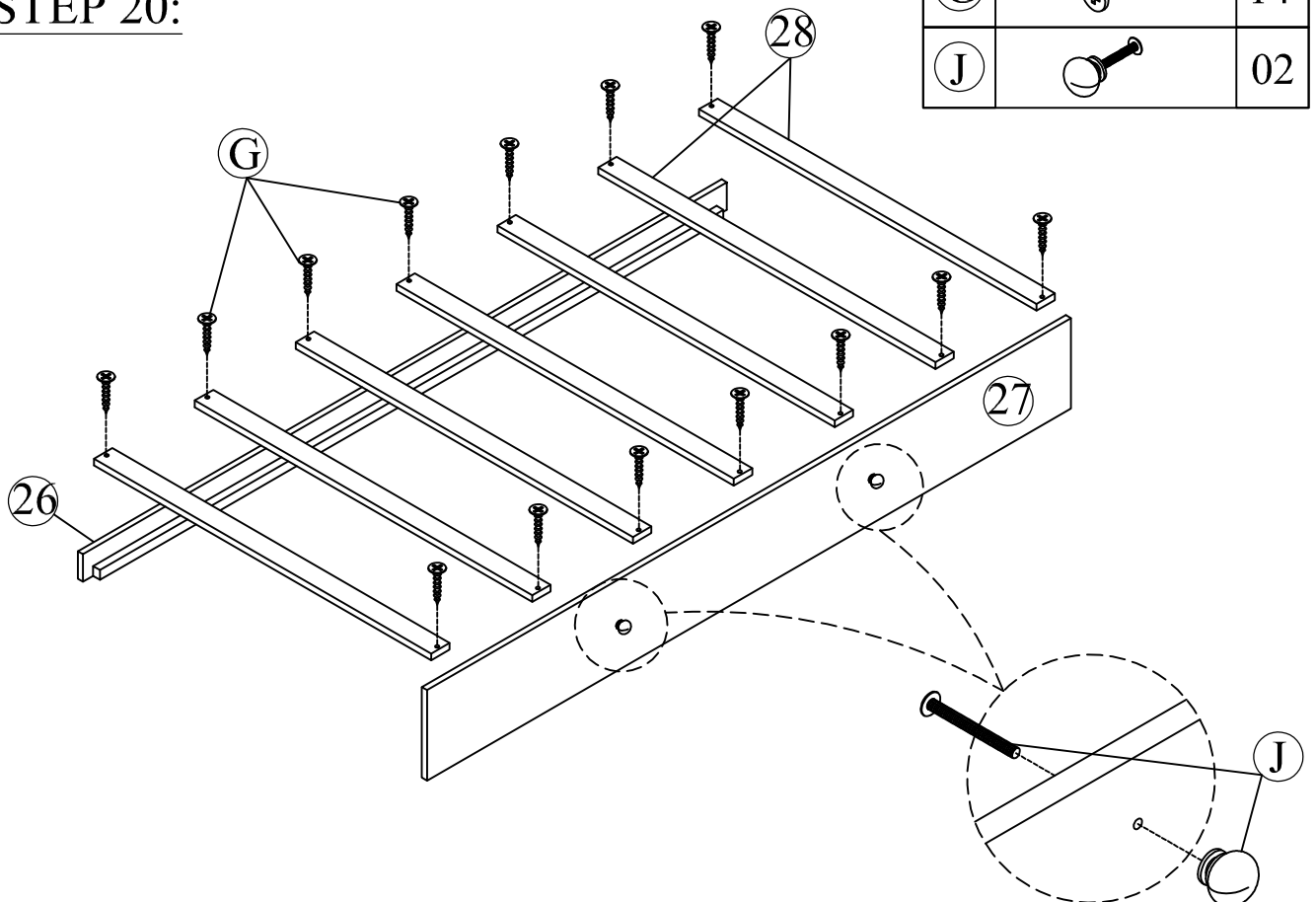
**STEP 19:**

G		04
O		02





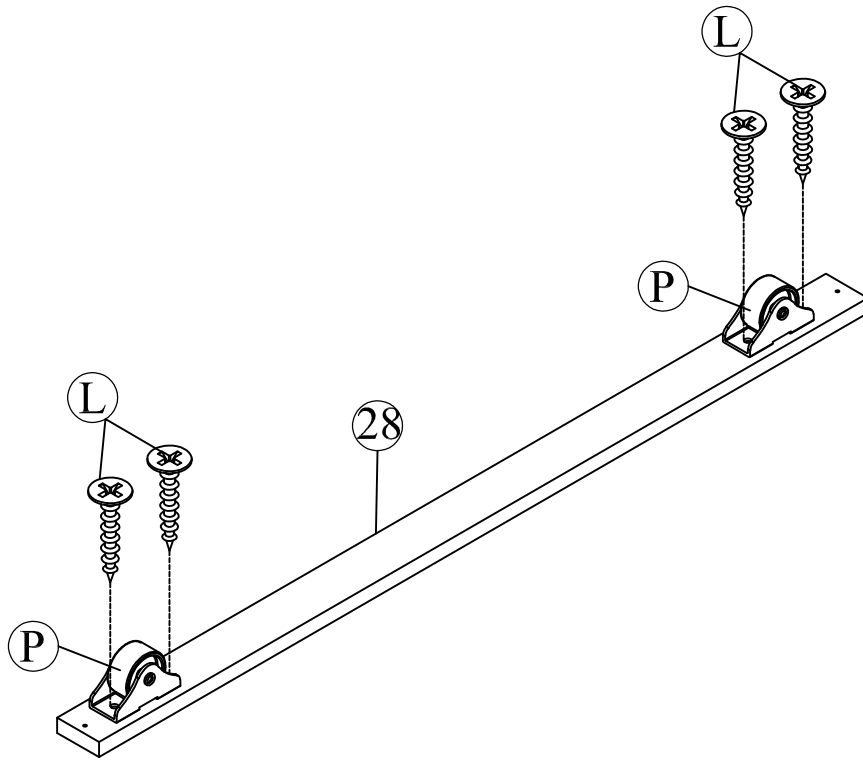
**STEP 20:**

G		14
J		02





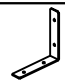
**STEP 21:**

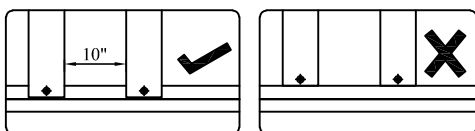
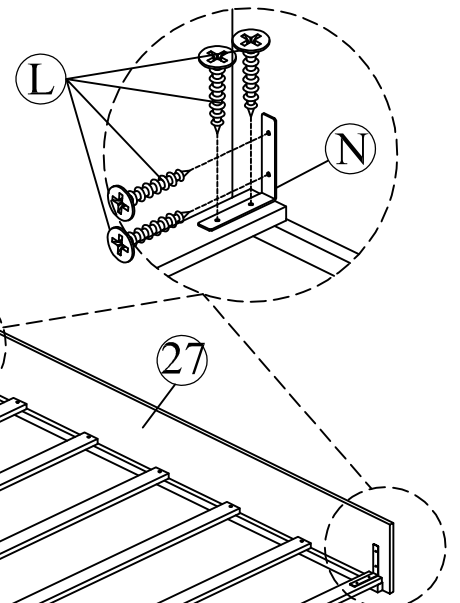
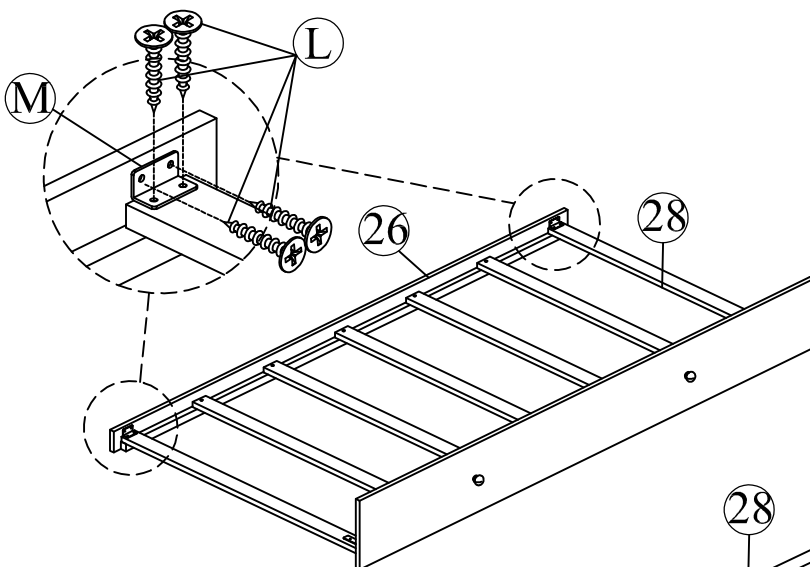
(P)		04
(L)		08



X2

**STEP 22:**

(L)		16
(M)		02
(N)		02



FINAL:

