

# ASSEMBLY INSTRUCTION

Description : FULL BED-HEADBOARD WITH LED  
-FOOTBOARD WITH LED & SLATS  
-SIDERAILS

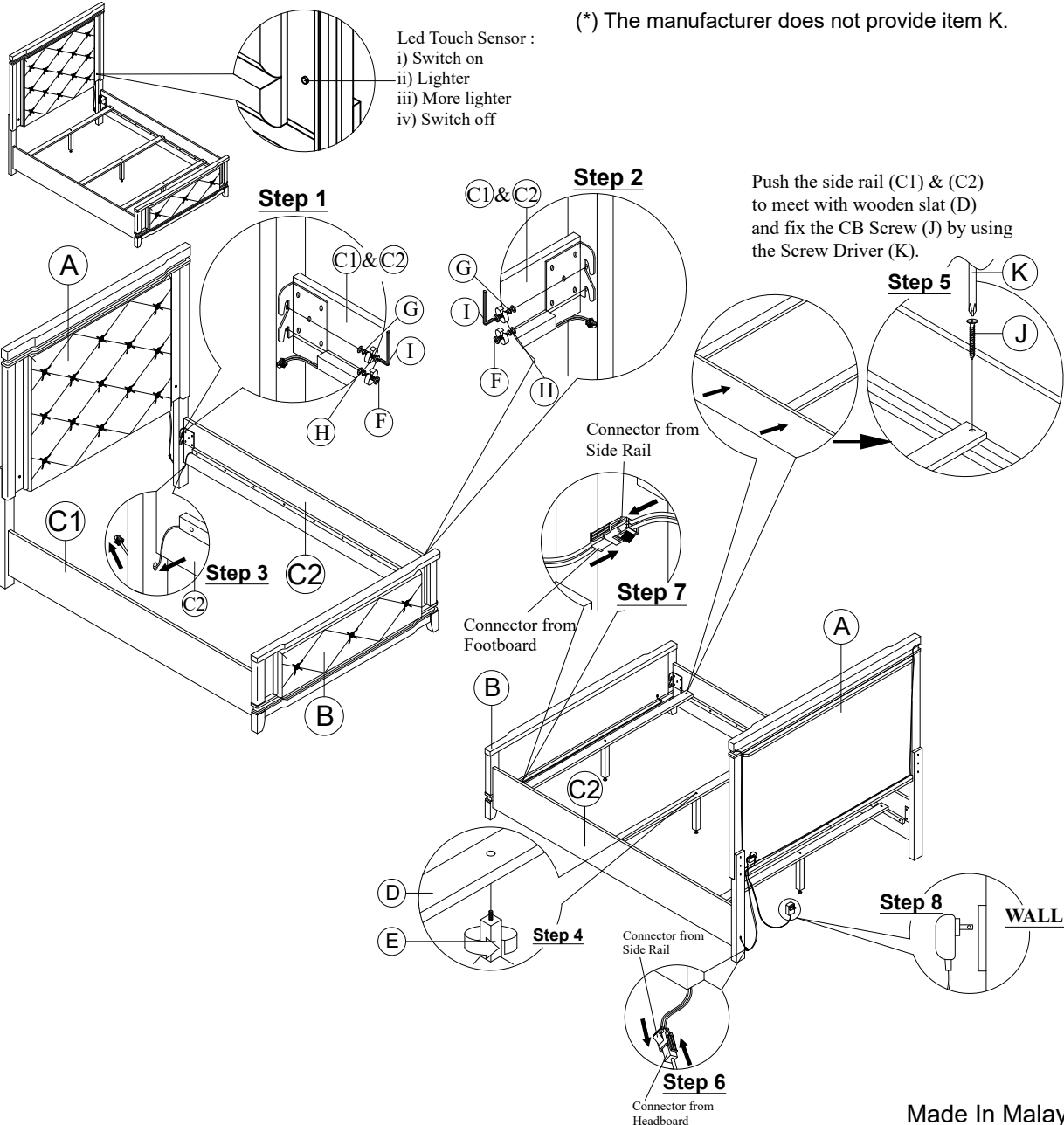
Thank you for purchasing this quality product. Be sure to check all packing material carefully for small parts that may have come loose inside the carton during shipment.

## PART LIST :

## HARDWARE LIST :

| No. | Description                      | Diagram | Quantity | No. | Description      | Diagram | Size      | Quantity |
|-----|----------------------------------|---------|----------|-----|------------------|---------|-----------|----------|
| A   | HEADBOARD LED WITH CONNECTOR     |         | 1        | F   | JCBB SCREW       |         | M8 x 25mm | 8        |
| B   | FOOTBOARD LED WITH CONNECTOR     |         | 1        | G   | SPRING WASHER    |         | M8 x 15mm | 8        |
| C1  | SIDE RAIL (LEFT)                 |         | 1        | H   | FLAT WASHER      |         | M8 x 22mm | 8        |
| C2  | SIDE RAIL WITH CONNECTOR (RIGHT) |         | 1        | I   | ALLEN KEY        |         | M5        | 1        |
| D   | WOODEN SLAT                      |         | 3        | J   | CB SCREW         |         | M4 x 32mm | 6        |
| E   | WOODEN SUPPORT                   |         | 3        | K   | SCREW DRIVER (*) |         |           | 1        |

(\*) The manufacturer does not provide item K.



# ASSEMBLY INSTRUCTION

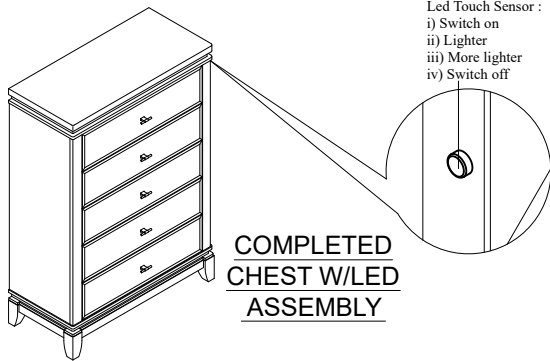
Description : CHEST WITH LED

Thank you for purchasing this quality product. Be sure to check all packing material carefully for small parts that may have come loose inside the carton during shipment.

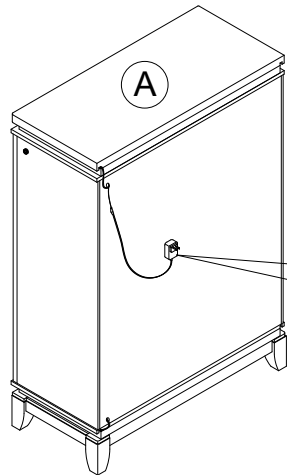
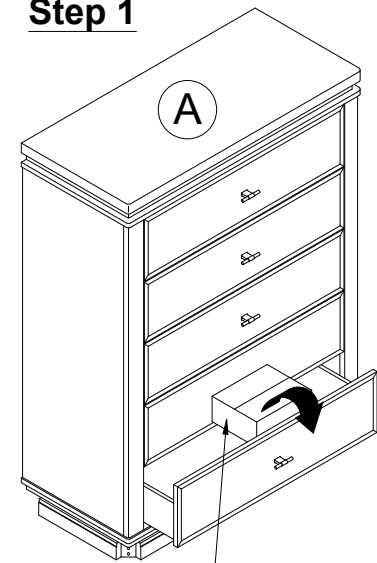
## PART LIST :

## HARDWARE LIST :

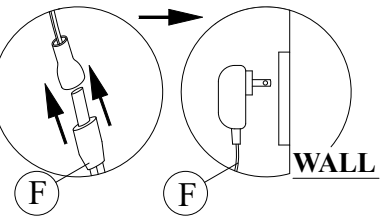
| No. | Description    | Diagram | Quantity | No. | Description   | Diagram | Size      | Quantity |
|-----|----------------|---------|----------|-----|---------------|---------|-----------|----------|
| A   | CHEST WITH LED |         | 1        | C   | FLAT WASHER   |         | M8 x 22mm | 8        |
| B   | BUN FOOT       |         | 4        | D   | SPRING WASHER |         | M8 x 15mm | 8        |
| E   | HEX NUT        |         |          |     |               |         | M8        | 8        |
| F   | WRENCH         |         |          |     |               |         |           | 1        |
| G   | ADAPTOR        |         |          |     |               |         |           | 1        |



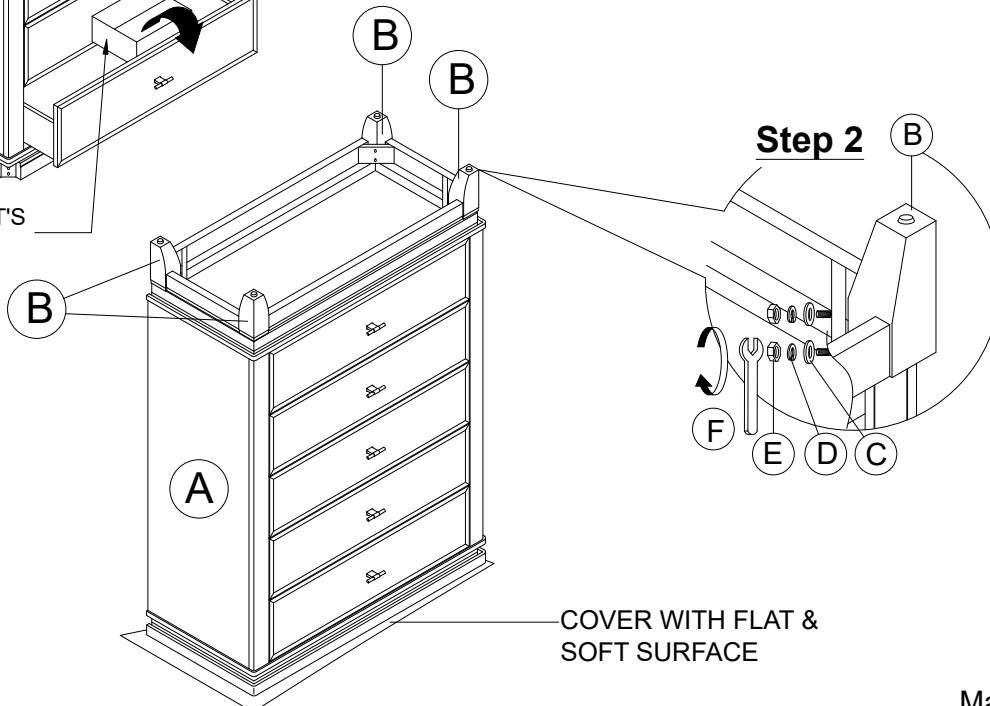
### Step 1



### Step 3



### Step 2



Made In Malaysia

CHEST W/LED

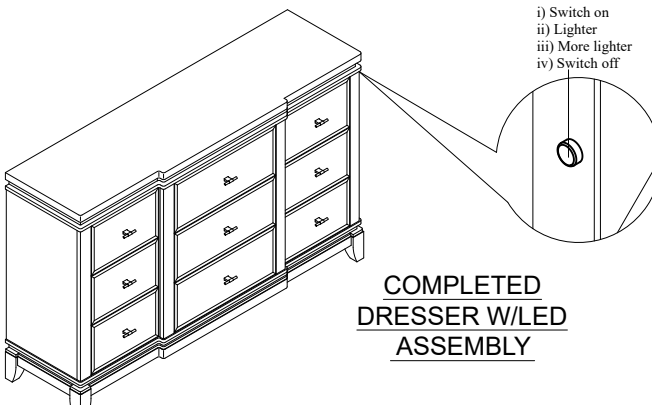
# ASSEMBLY INSTRUCTION

Description : DRESSER WITH LED

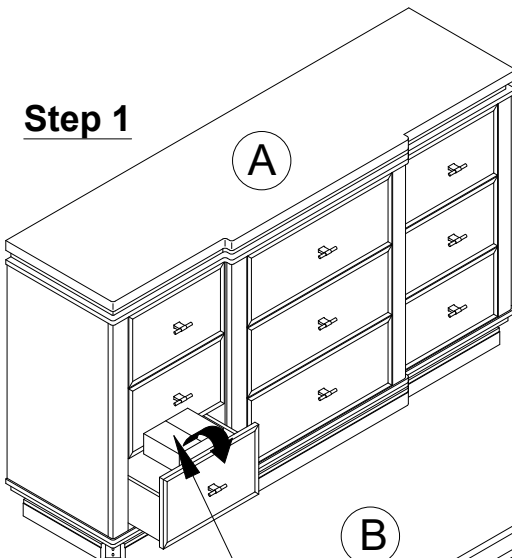
Thank you for purchasing this quality product. Be sure to check all packing material carefully for small parts that may have come loose inside the carton during shipment.

## PART LIST :

## HARDWARE LIST :

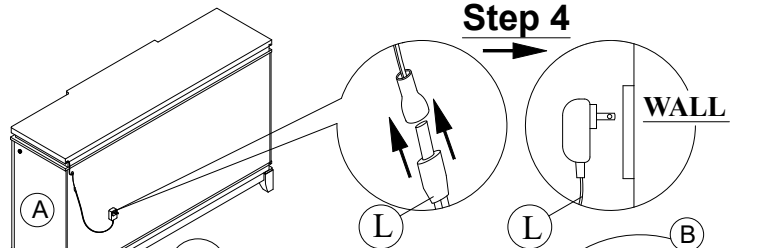
| No.   | Description    | Diagram | Quantity | No. | Description    | Diagram | Size        | Quantity |
|---|----------------|---------|----------|-----|----------------|---------|-------------|----------|
| A   | DRESSER        |         | 1        | D   | FLAT WASHER    |         | M8 x 22mm   | 8        |
| B   | BUN FOOT       |         | 4        | E   | SPRING WASHER  |         | M8 x 15mm   | 8        |
| C   | CENTER SUPPORT |         | 1        | F   | HEX NUT        |         | M8          | 8        |
|  <p>Led Touch Sensor :<br/>                     i) Switch on<br/>                     ii) Lighter<br/>                     iii) More lighter<br/>                     iv) Switch off</p> <p><b>COMPLETED DRESSER W/LED ASSEMBLY</b></p> |                |         |          | G   | JCBC SCREW     |         | (M6 x 35mm) | 4        |
|   |                |         |          | H   | SPRING WASHER  |         | (M6 x 13mm) | 4        |
|   |                |         |          | I   | FLAT WASHER    |         | (M6 x 19mm) | 4        |
|   |                |         |          | J   | WRENCH         |         |             | 1        |
|   |                |         |          | K   | ALLEN KEY (M4) |         | (M4)        | 1        |
|   |                |         |          | L   | ADAPTOR        |         |             | 1        |

### Step 1

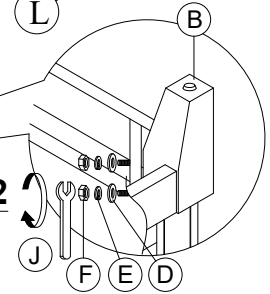


Bun Foot's Box & Center Support

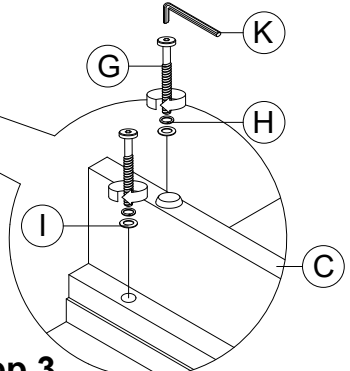
### Step 4



### Step 2



### Step 3



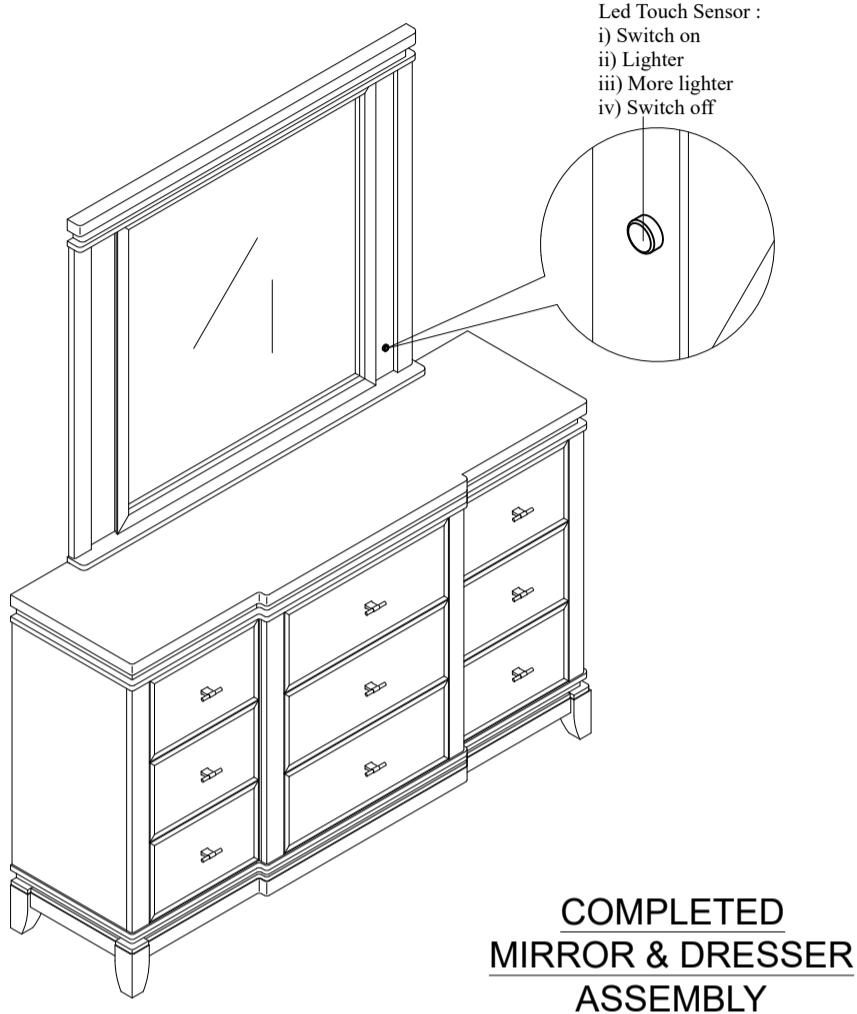
Made In Malaysia

DRESSER W/LED

# ASSEMBLY INSTRUCTION

Description : MIRROR W/LED & DRESSER W/LED

Thank you for purchasing this quality product. Be sure to check all packing material carefully for small parts that may have come loose inside the carton during shipment.



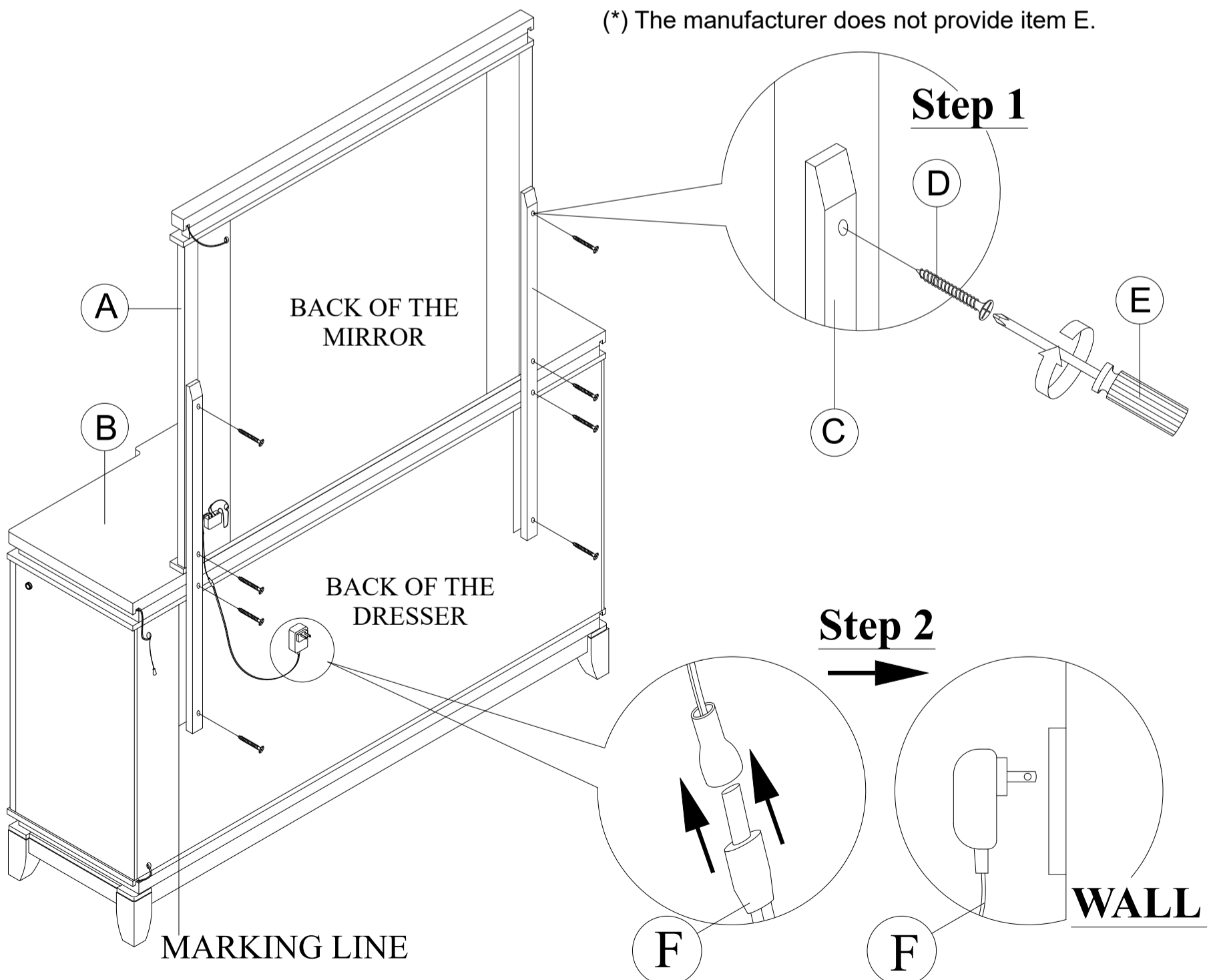
## PART LIST :

| No. | Description    | Diagram | Quantity |
|-----|----------------|---------|----------|
| A   | MIRROR         |         | 1        |
| B   | DRESSER        |         | 1        |
| C   | MIRROR SUPPORT |         | 2        |

## HARDWARE LIST :

| No. | Description      | Diagram | Size      | Quantity |
|-----|------------------|---------|-----------|----------|
| D   | CB SCREW         |         | M4 x 32mm | 8        |
| E   | SCREW DRIVER (*) |         |           | 1        |
| F   | ADAPTOR          |         |           | 1        |

(\*) The manufacturer does not provide item E.



# ASSEMBLY INSTRUCTION

Description : NIGHT STAND WITH LED AND USB-A/C

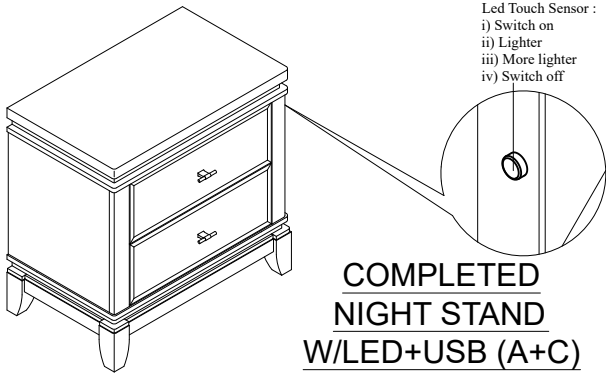
Thank you for purchasing this quality product. Be sure to check all packing material carefully for small parts that may have come loose inside the carton during shipment.

## PART LIST :

## HARDWARE LIST :

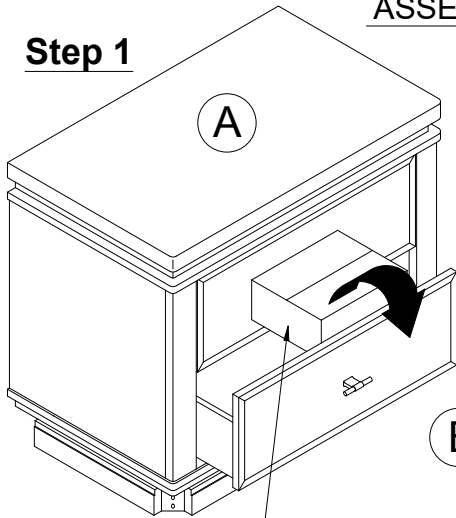
| No. | Description                     | Diagram | Quantity | No. | Description   | Diagram | Size      | Quantity |
|-----|---------------------------------|---------|----------|-----|---------------|---------|-----------|----------|
| A   | NIGHTSTAND WITH LED AND USB-A/C |         | 1        | C   | FLAT WASHER   |         | M8 x 22mm | 8        |
| B   | BUN FOOT                        |         | 4        | D   | SPRING WASHER |         | M8 x 15mm | 8        |
| E   | HEX NUT                         |         |          | M8  |               |         |           | 8        |
| F   | WRENCH                          |         |          |     |               |         |           | 1        |
| G   | ADAPTOR                         |         |          |     |               |         |           | 1        |

Led Touch Sensor :  
 i) Switch on  
 ii) Lighter  
 iii) More lighter  
 iv) Switch off

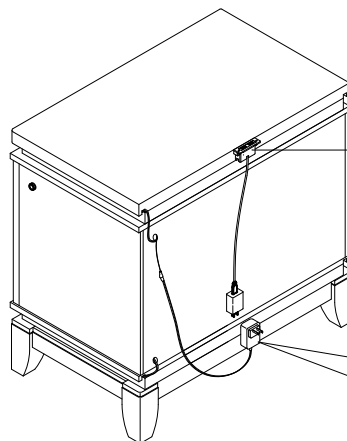


**COMPLETED NIGHT STAND W/LED+USB (A+C) ASSEMBLY**

### Step 1

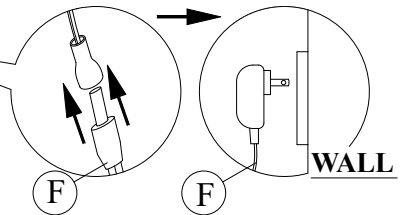


BUN FOOT'S BOX



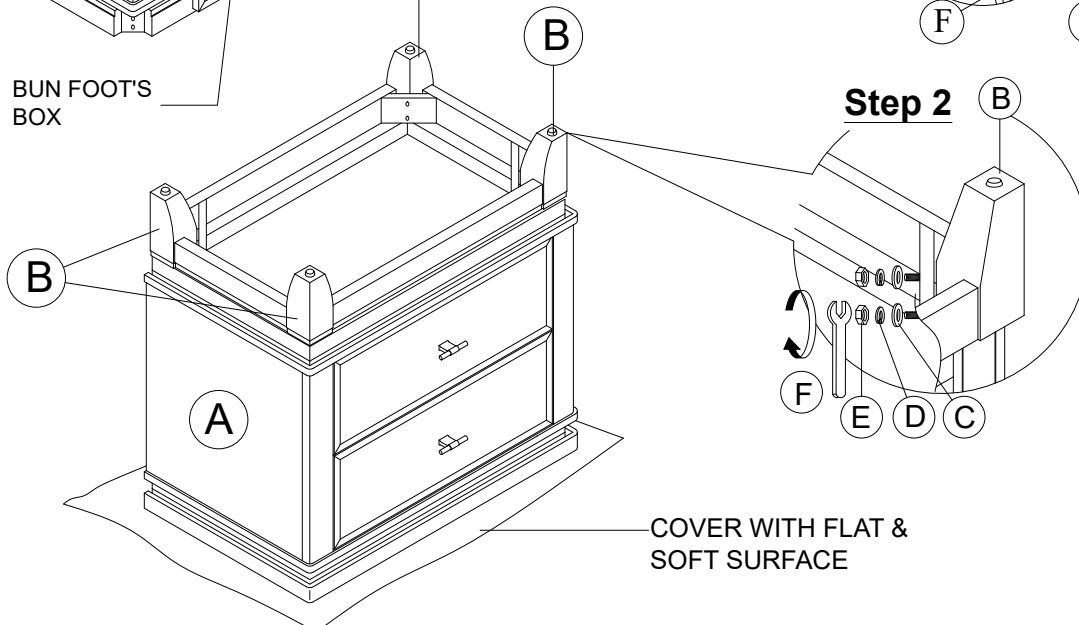
USB (A+C)

### Step 3



WALL

### Step 2



COVER WITH FLAT & SOFT SURFACE

Made In Malaysia

NIGHT STAND W/LED