

# HDPE Modern Folding Chair

Assembly Instructions

A041-048-001



email: [poly@homeselecting.com](mailto:poly@homeselecting.com)

**Important -Please read these instructions fully before starting assembly**

## HASSLE-FREE WARRANTY

We stand behind the quality of our products. If you have any questions, please send an email.



380 LBS CAPACITY



1 PERSON ASSEMBLY



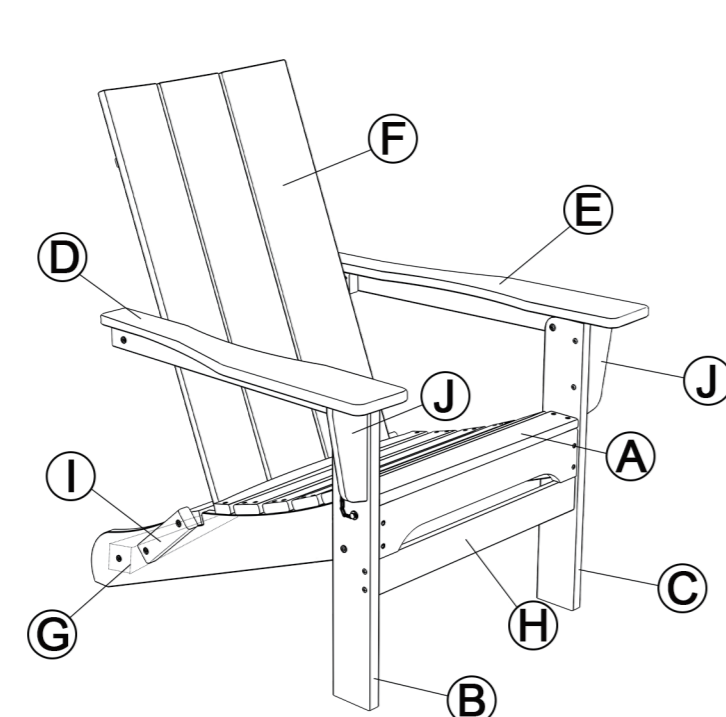
AROUND 25 MIN ASSEMBLY

If you need help or have damaged or missing parts, please email: [poly@homeselecting.com](mailto:poly@homeselecting.com)

Components

Please check you have all the components listed below.

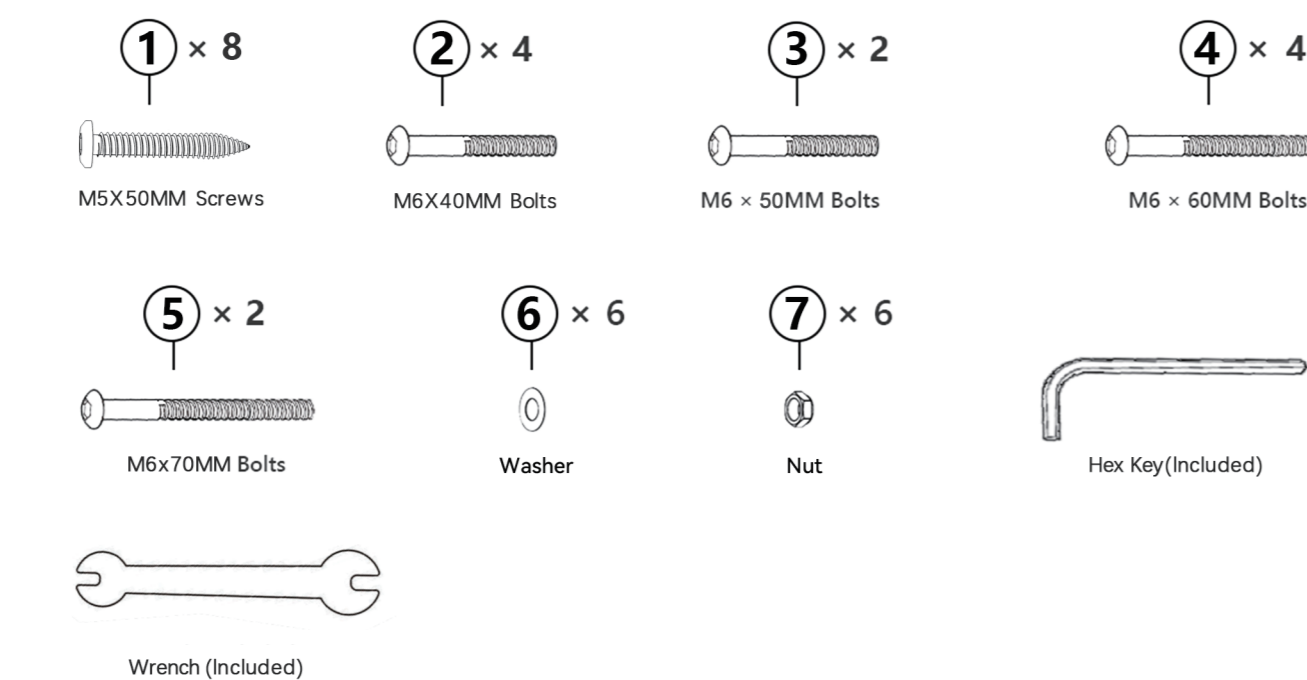
Note: The illustration of the product shows the exact position of each part. Check when assembling.



#	Description	Qty.
A	Seat Frame	1
B	Right Leg	1
C	Left Leg	1
D	Right Arm	1
E	Left Arm	1
F	Backrest	1
G	Back Stretcher	1
H	Front Stretcher	1
I	Braces	2
J	Arm Support	2

## Hardware & Tools

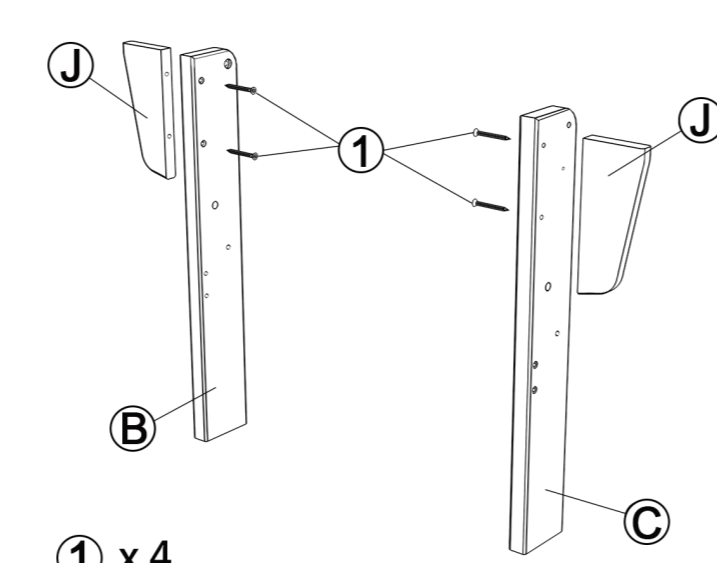
Note: The quantities below are the correct amount to complete the assembly. In some cases more fittings may be supplied than required.



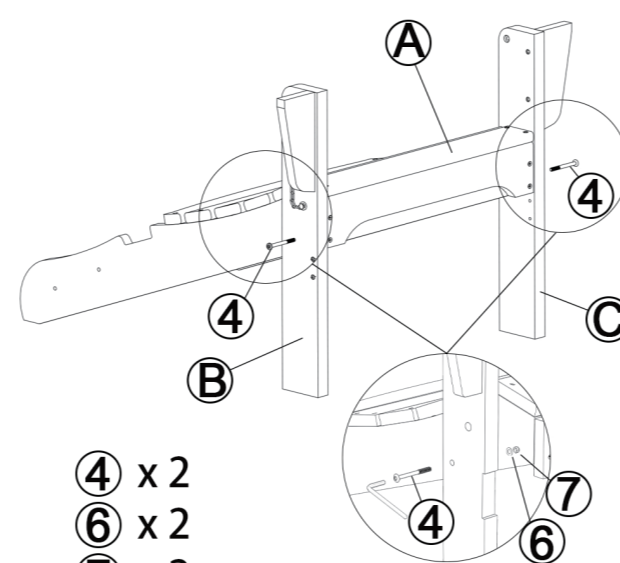
If you need help or have damaged or missing parts, please email: [poly@homeselecting.com](mailto:poly@homeselecting.com)

Assembly Instructions

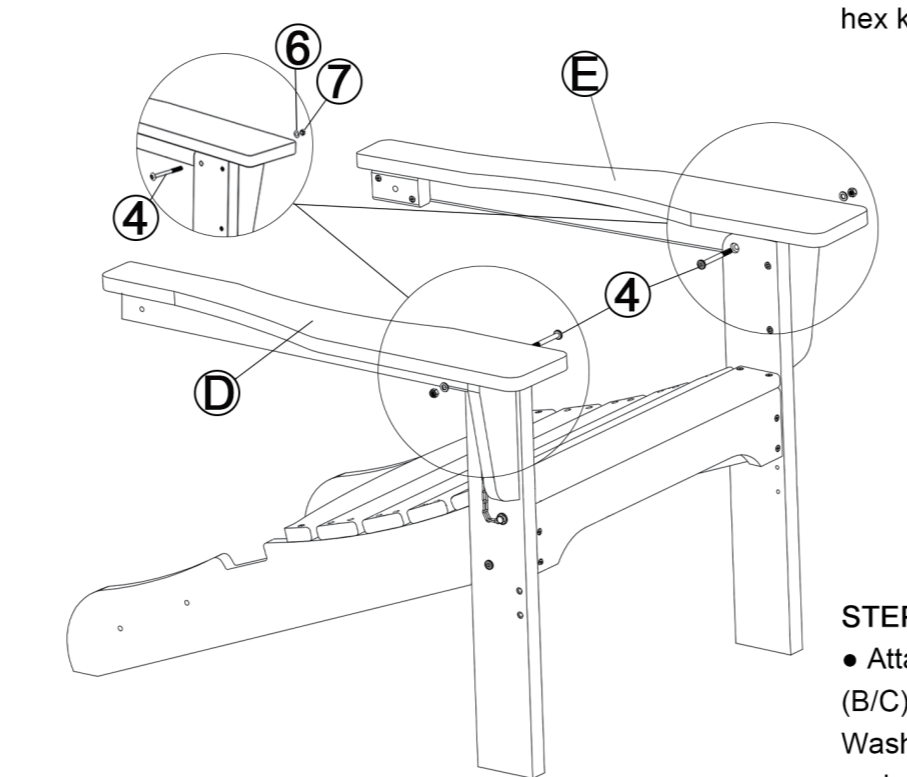
**Caution:** Please do not over-tighten bolts and screws during assembly.



**STEP 1**  
 • Attach "Arm Support (J)" to "Chair Legs (B/C)" - Using "1 M5 x 50MM Screws", tighten with hex key.



**STEP 2**  
 • Attach "Chair Legs (B/C)" to "Seat Frame (A)" - Using "4 M6 x 60MM Bolts" with "6 Washer" and "7 Nut", tighten with hex key and wrench.

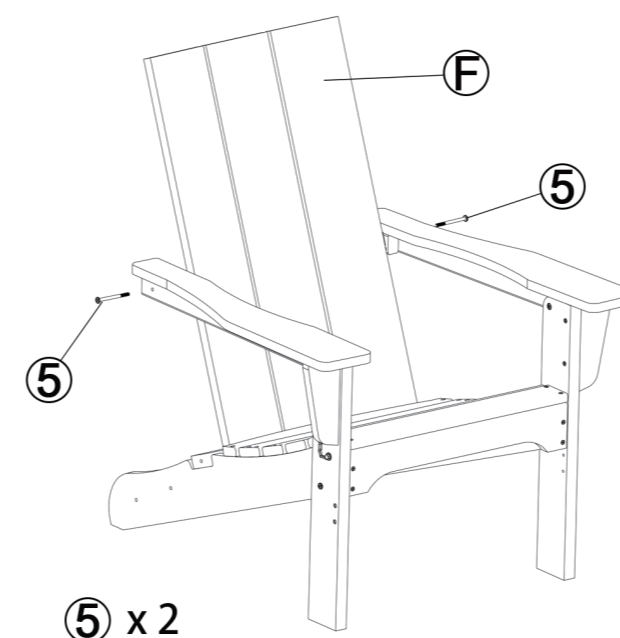


**STEP 3**  
 • Attach "Chair Arms (D/E)" to "Chair Legs (B/C)" - Using "4 M6 x 60MM Bolts" with "6 Washer" and "7 Nut", tighten with hex key and wrench.

If you need help or have damaged or missing parts, please email: [poly@homeselecting.com](mailto:poly@homeselecting.com)

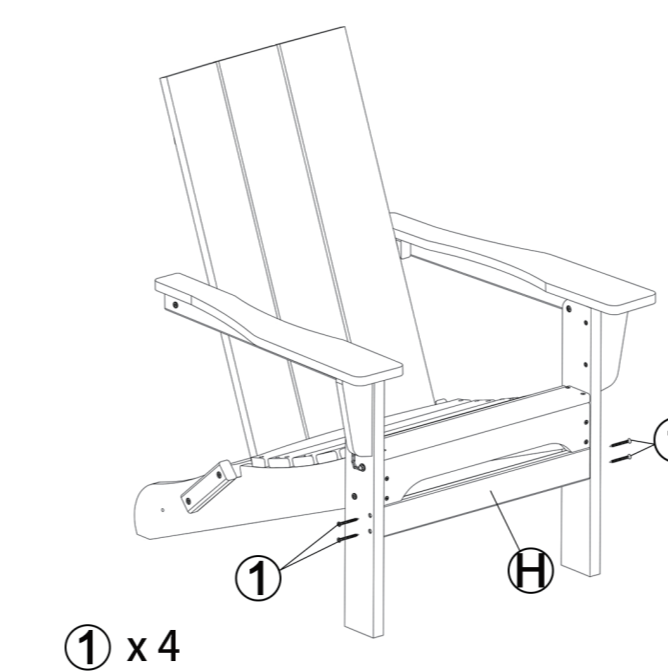
Assembly Instructions

**Caution:** Please do not over-tighten bolts and screws during assembly.



**STEP 4**  
 • Attach "Chair Arm (D/E)" to "Backrest (F)" - Using "5 M6 x 70MM Bolts", tighten with hex key.

**STEP 5**  
 • Attach "Backrest (F)" to "Seat Frame (A)" with "Brace (I)" - Using "3 M6 x 50MM Bolts" with "6 Washer" and "7 Nut" in the back legs, and using "2 M6 x 40MM Bolts" on the backrest frame, tighten with hex key and wrench.

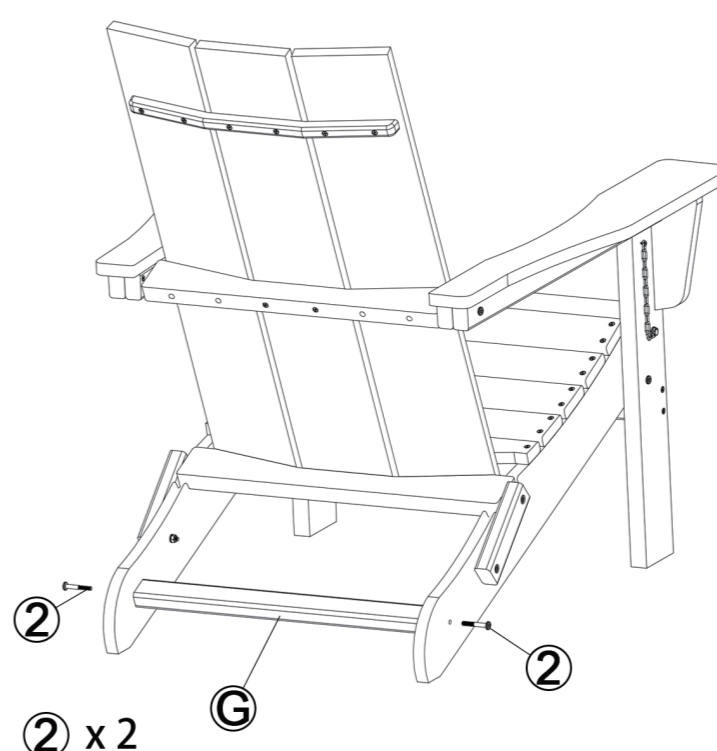


**STEP 6**  
 • Attach "Front Stretcher (H)" to "Chair Legs (B/C)" - Using "1 M5 x 50MM Screws", tighten with hex key.

If you need help or have damaged or missing parts, please email: [poly@homeselecting.com](mailto:poly@homeselecting.com)

Assembly Instructions

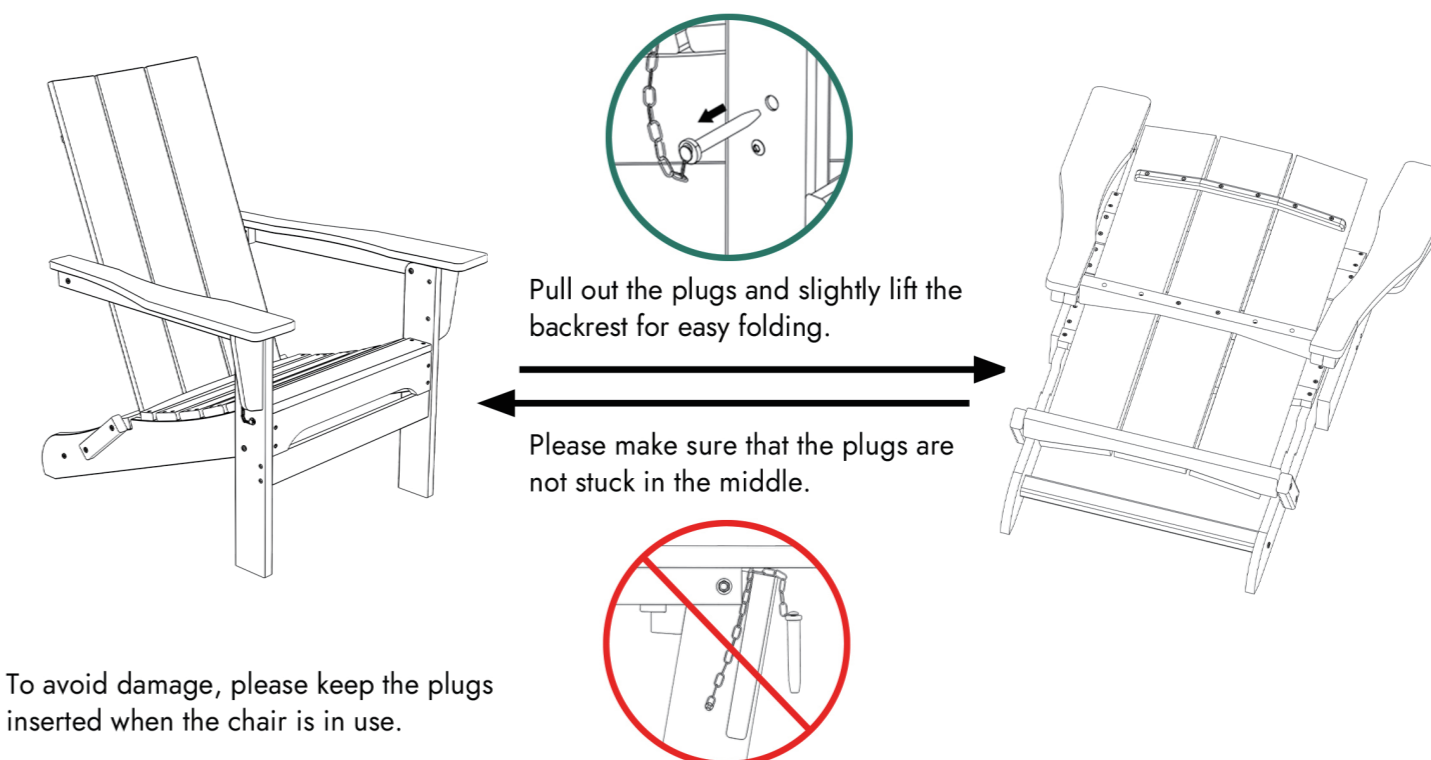
**Caution:** Please do not over-tighten bolts and screws during assembly.



**STEP 7**  
 • Attach "Back Stretcher (G)" to "Seat Frame (A)" - Using "2 M6 x 40MM Bolts", tighten with hex key.

## Folding Chair

This Adirondack chair can be easily folded flat by pulling out the "Plug" inserted in the chair legs.



If you need help or have damaged or missing parts, please email: [poly@homeselecting.com](mailto:poly@homeselecting.com)

Warnings

**Important -Please read these instructions fully before starting assembly**

Check you have all the components and tools listed on the page 2.

Remove all fittings from the plastic bags and separate them into their groups.

Keep children and animals away from the work area, small parts may cause choking if swallowed.

Make sure you have enough space to layout the parts before starting.

Assemble on a soft level surface to avoid damaging the unit or your floor.

Do not stand or put weight on the product, this could cause damage.

Assemble the item as close to its final position (in the same area) as possible.

Do not place furniture directly in front of radiators, fires, or any other source of heat.



The assembly will be easier with 2 people while 1 person could also do the job.



Refer to the LISTING page for specific installation videos.

## Cleaning & Maintenance

• Clean the product with a solution of mild soap and water. Dip a soft cloth or sponge into the solution and wipe down the entire surface.

• After cleaning, thoroughly rinse the furniture with water to remove any remaining soap residue.

• When not in use, cover the product with a protective cover to keep it clean and prolong its lifespan.