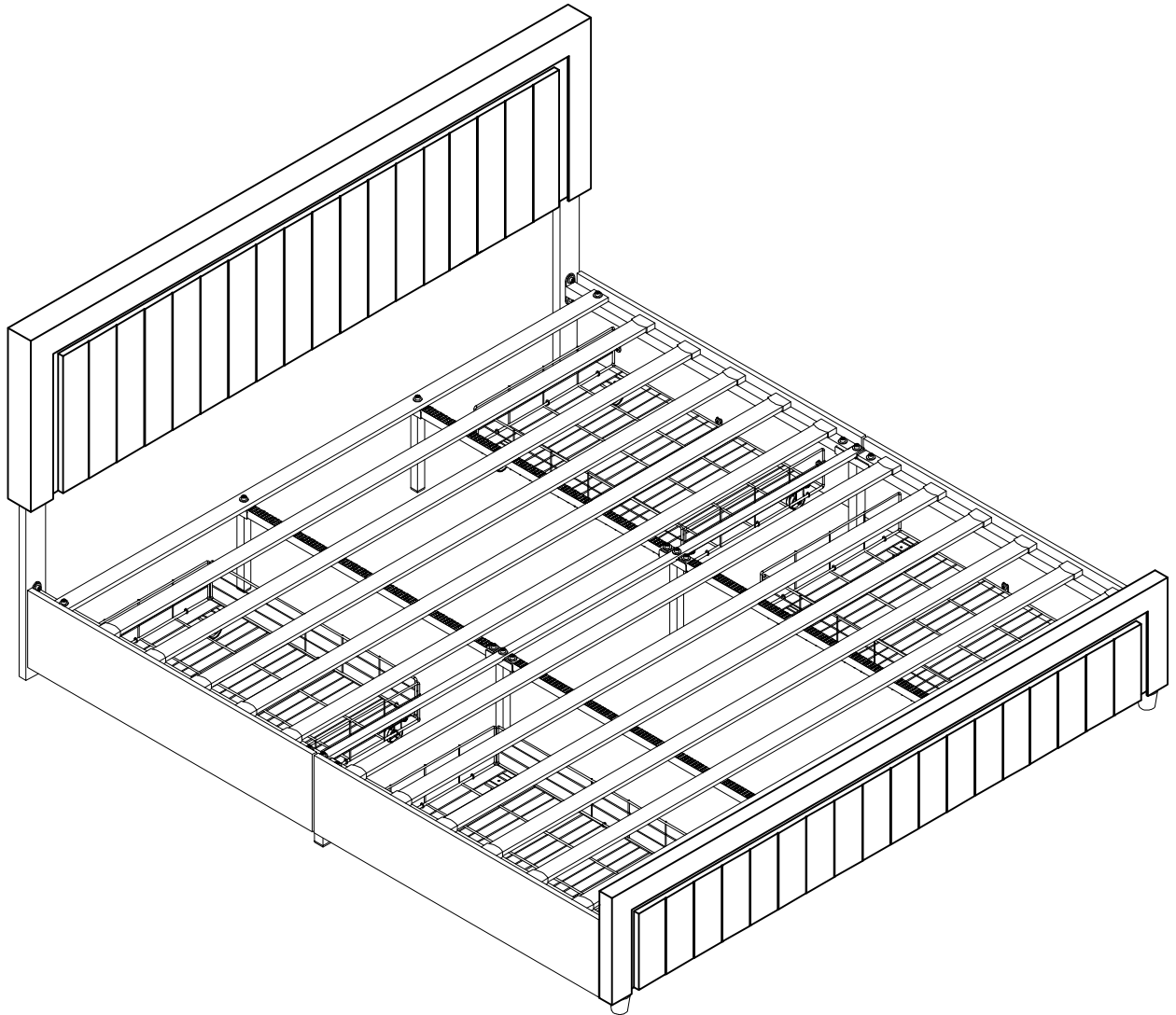


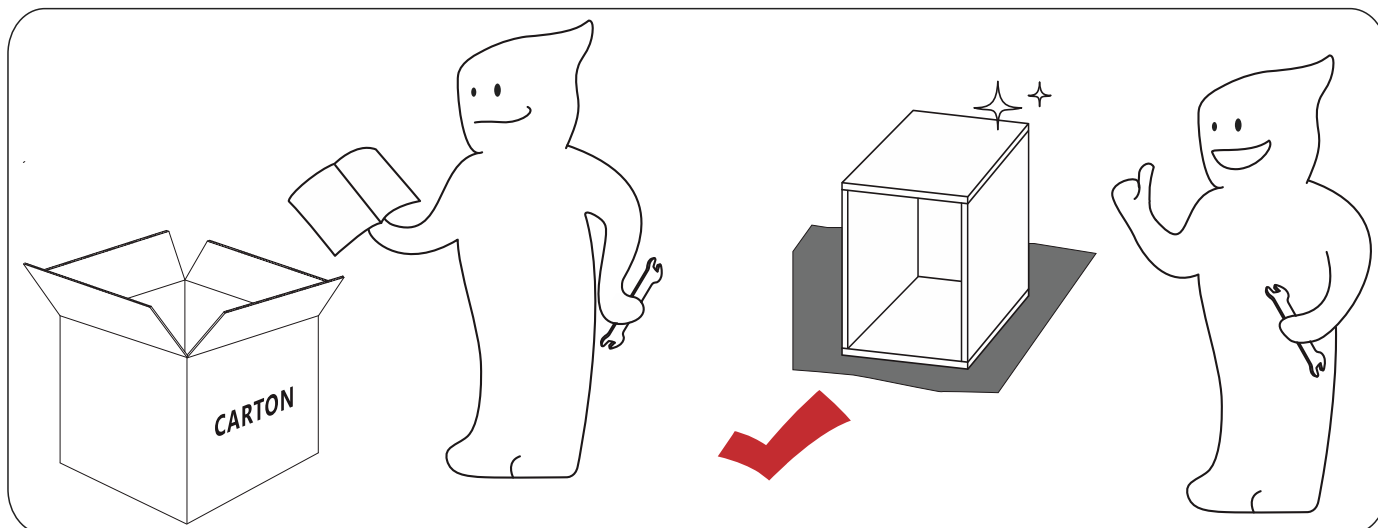
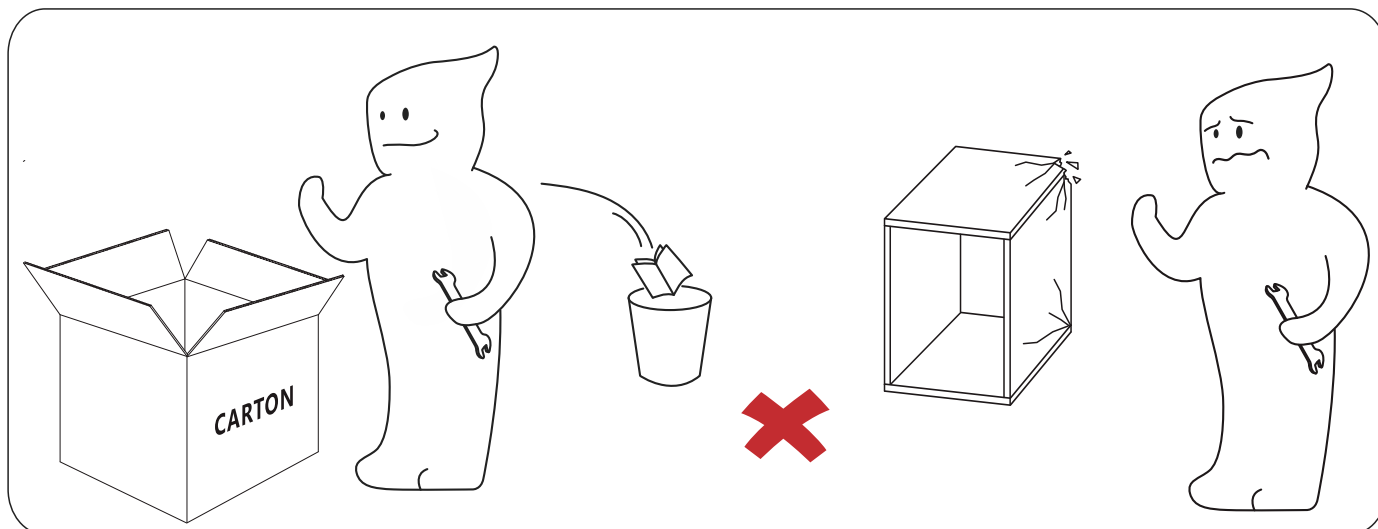
LED Upholstered Platform Bed



Friendly Customer Service
Satisfaction Guarantees: Any problems with assembly,
quality, or return, please feel free to contact us directly.

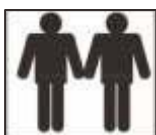
! IMPORTANT

Please follow the instruction manuals and use a pad to protect the product during your assembly.



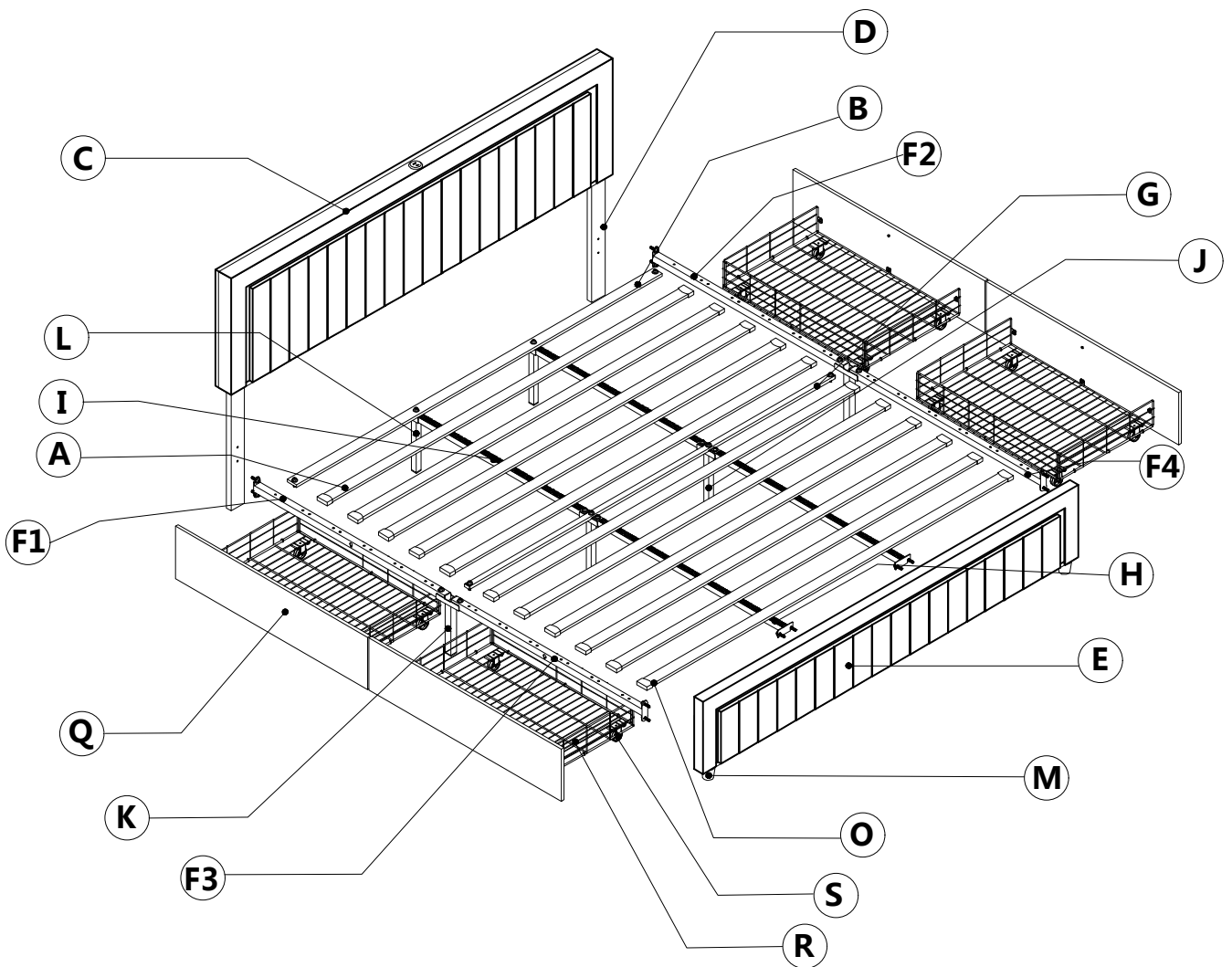
Note:

1. Should be assembled on flat ground to keep balance.
2. Before completing the installation, do not tighten the screws.

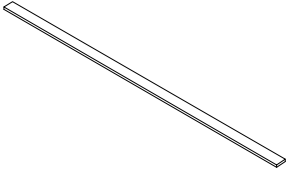
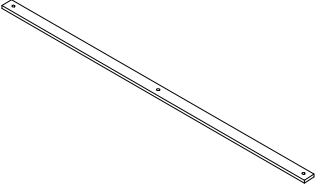
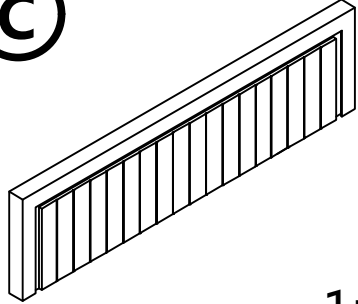

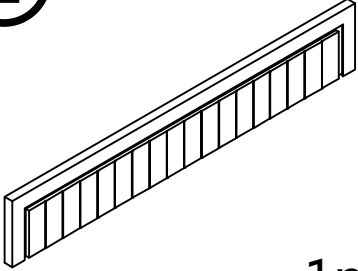
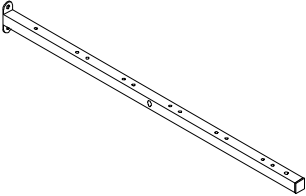
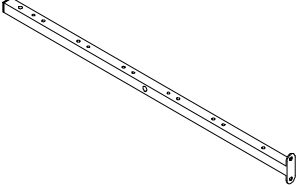
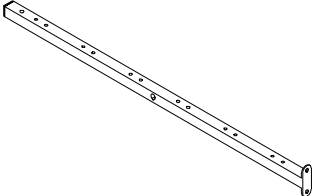
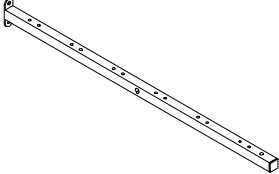
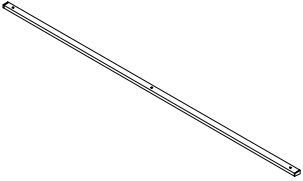
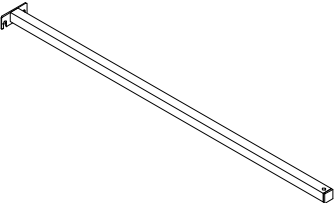
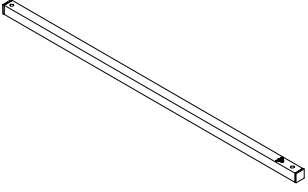
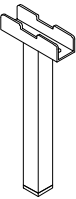
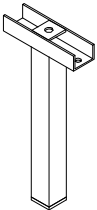
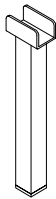


For easier and better assembly, **2** or more adults are required.

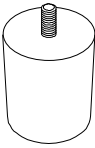
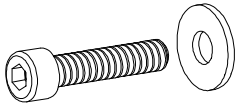
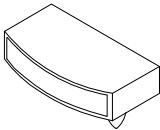
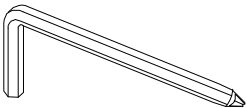
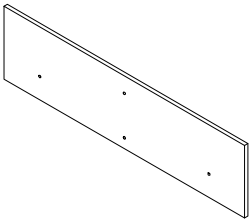

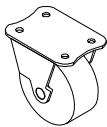
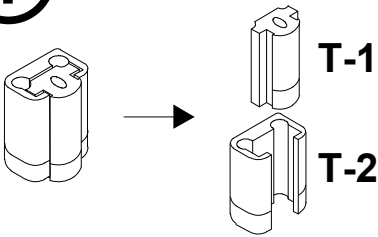

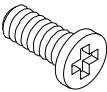

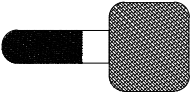
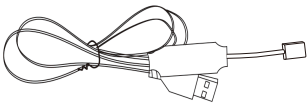
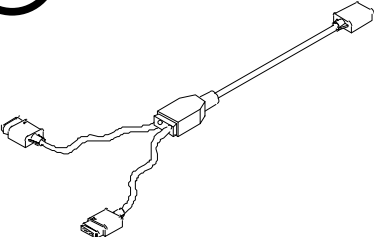
ASSEMBLY INSTRUCTIONS



BED FRAME PARTS LIST

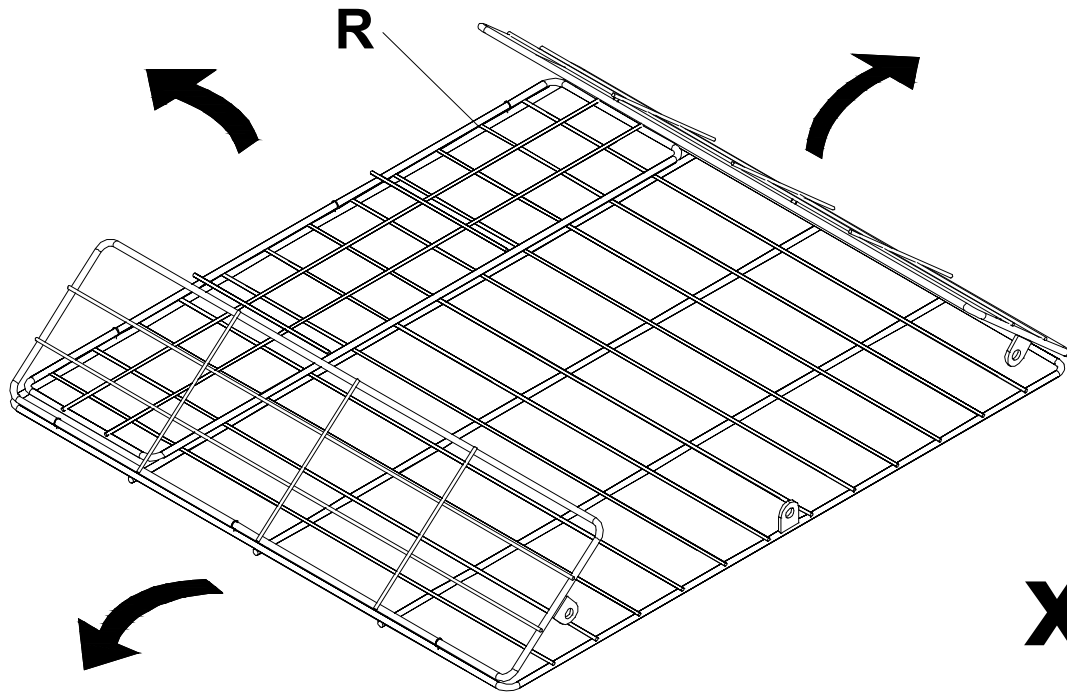
<p>(A)</p>  <p>11pcs</p>	<p>(B)</p>  <p>1pc</p>	<p>(C)</p>  <p>1pc</p>
<p>(D)</p>  <p>2pcs</p>	<p>(E)</p>  <p>1pc</p>	<p>(F1)</p>  <p>1pc</p>
<p>(F2)</p>  <p>1pc</p>	<p>(F3)</p>  <p>1pc</p>	<p>(F4)</p>  <p>1pc</p>
<p>(G)</p>  <p>1pc</p>	<p>(H)</p>  <p>2pcs</p>	<p>(I)</p>  <p>2pcs</p>
<p>(J)</p>  <p>2pcs</p>	<p>(K)</p>  <p>2pcs</p>	<p>(L)</p>  <p>2pcs</p>

FITTING PARTS LIST

<p>(M)</p>  <p>2pcs</p>	<p>(N)</p>  <p>M8 X45mm 20pcs+1pc</p>	<p>(O)</p>  <p>22pcs+1pc</p>
<p>(P)</p>  <p>1pc</p>	<p>(Q)</p>  <p>1pc</p>	<p>(R)</p>  <p>4pcs</p>
<p>(S)</p>  <p>16pcs</p>	<p>(T)</p>  <p>8pcs</p>	<p>(U)</p>  <p>M6 X 6mm 16+2pcs</p>
<p>(V)</p>  <p>M6 X 17mm 12pcs</p>	<p>(W1)</p>  <p>1pc</p>	<p>(W2)</p>  <p>3pcs</p>
<p>(X1)</p>  <p>1pc</p>	<p>(X2)</p>  <p>1pc</p>	

STEP 1

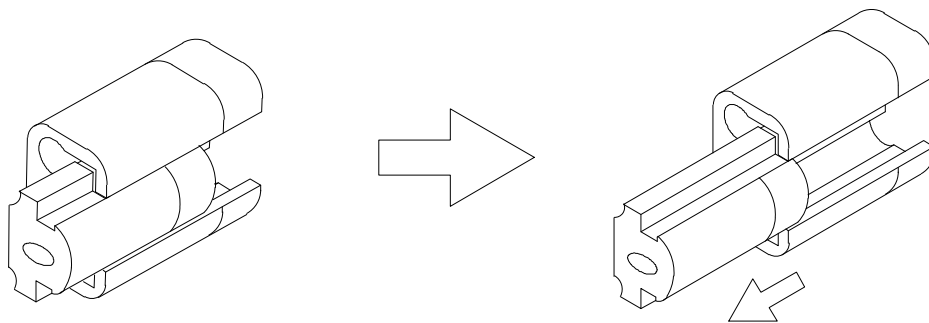
Unfold the drawer sides



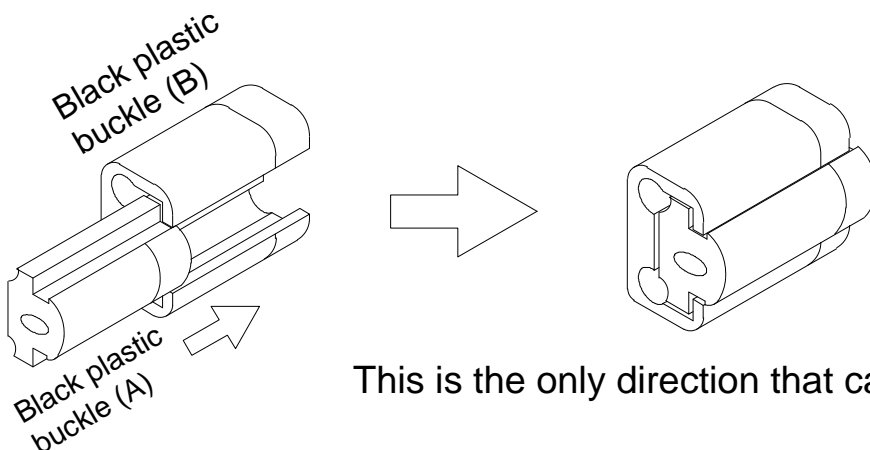
x4

STEP 2

Get the part T Drawer Connector out



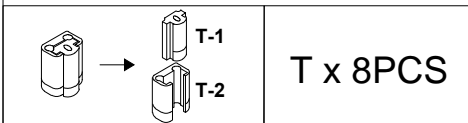
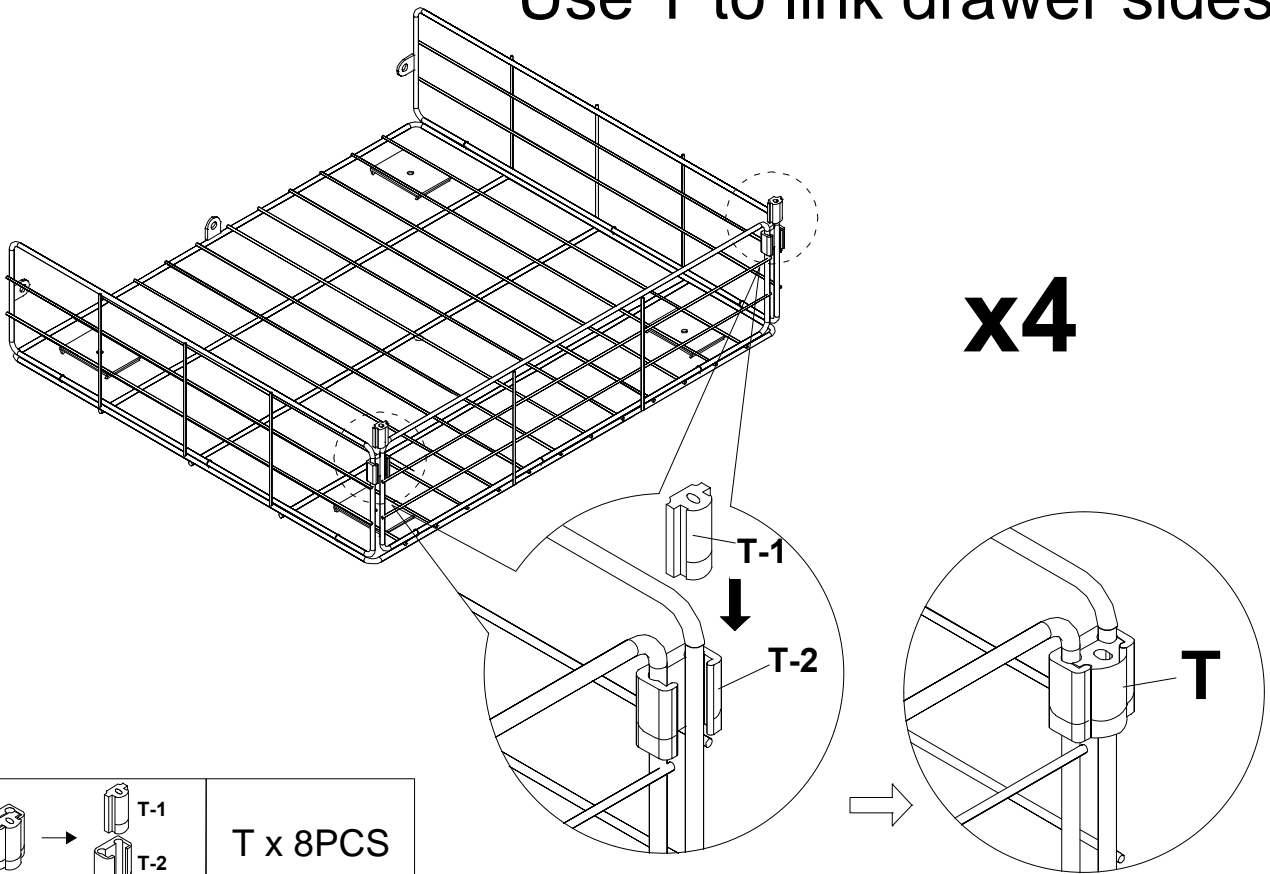
You can pull the buckle out by following the direction indicated by the arrow.



This is the only direction that can be locked.

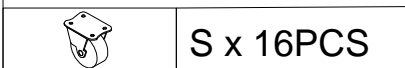
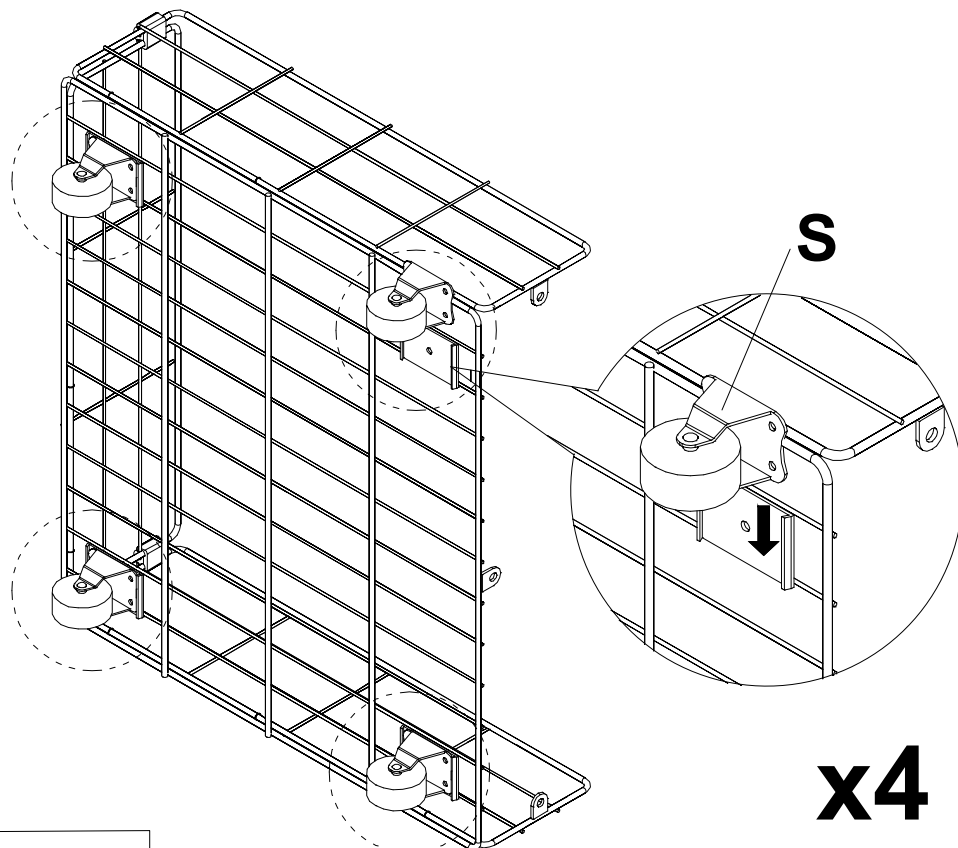
STEP 3

Use T to link drawer sides

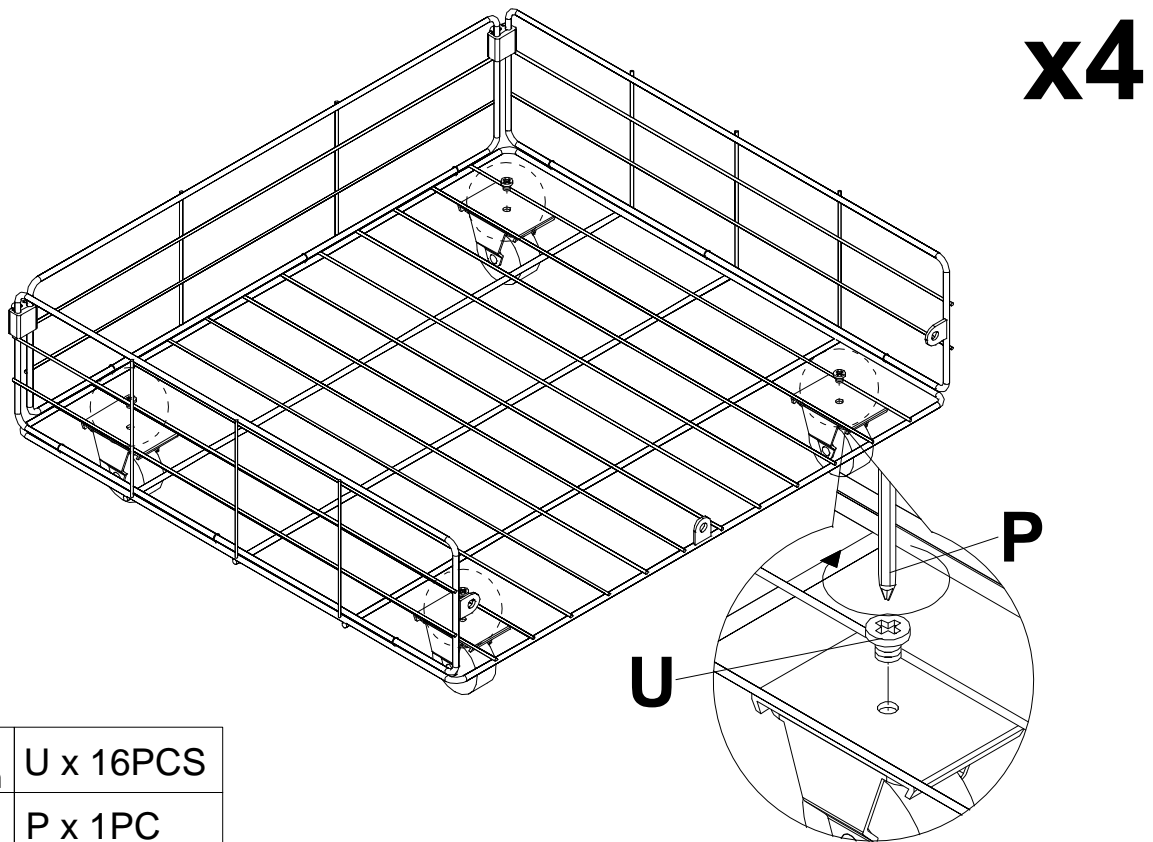




STEP 4

Insert wheels into slot from side

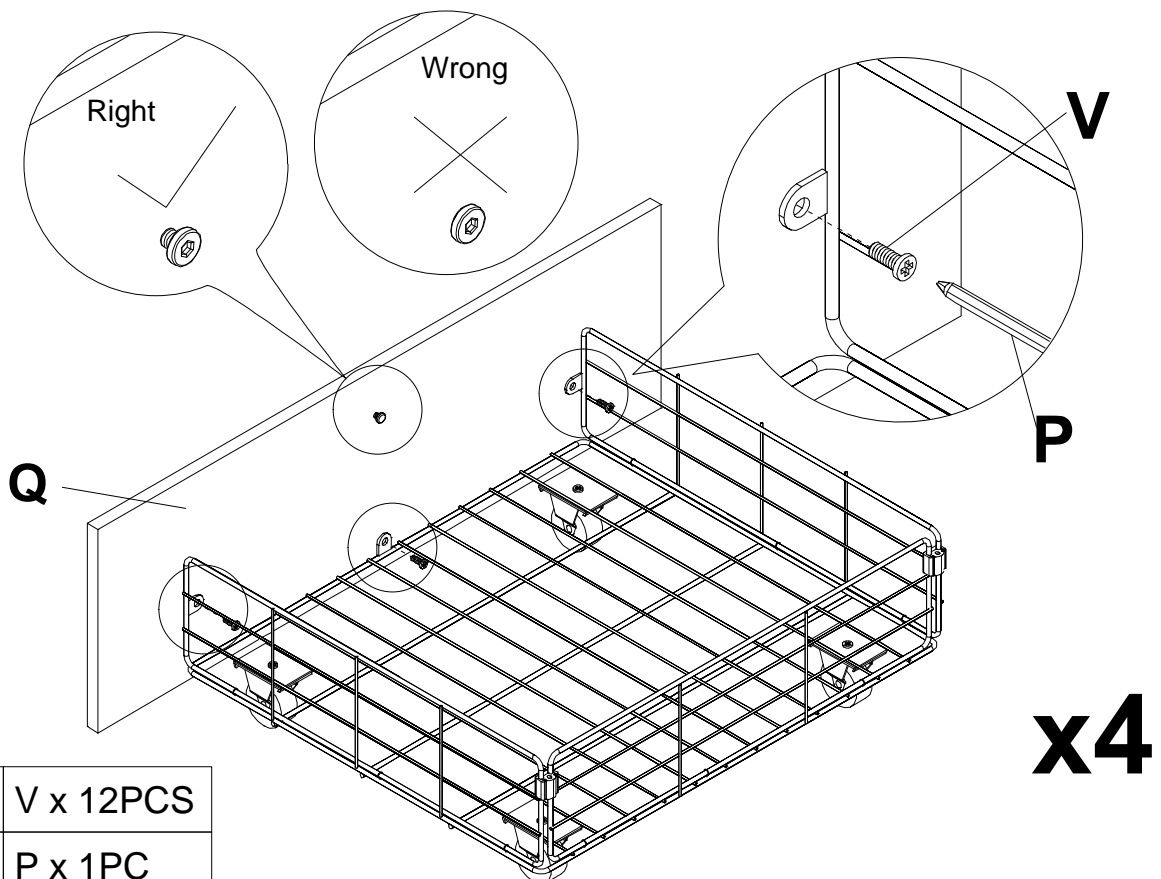


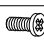
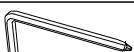
STEP 5 Secure the wheels with screws U



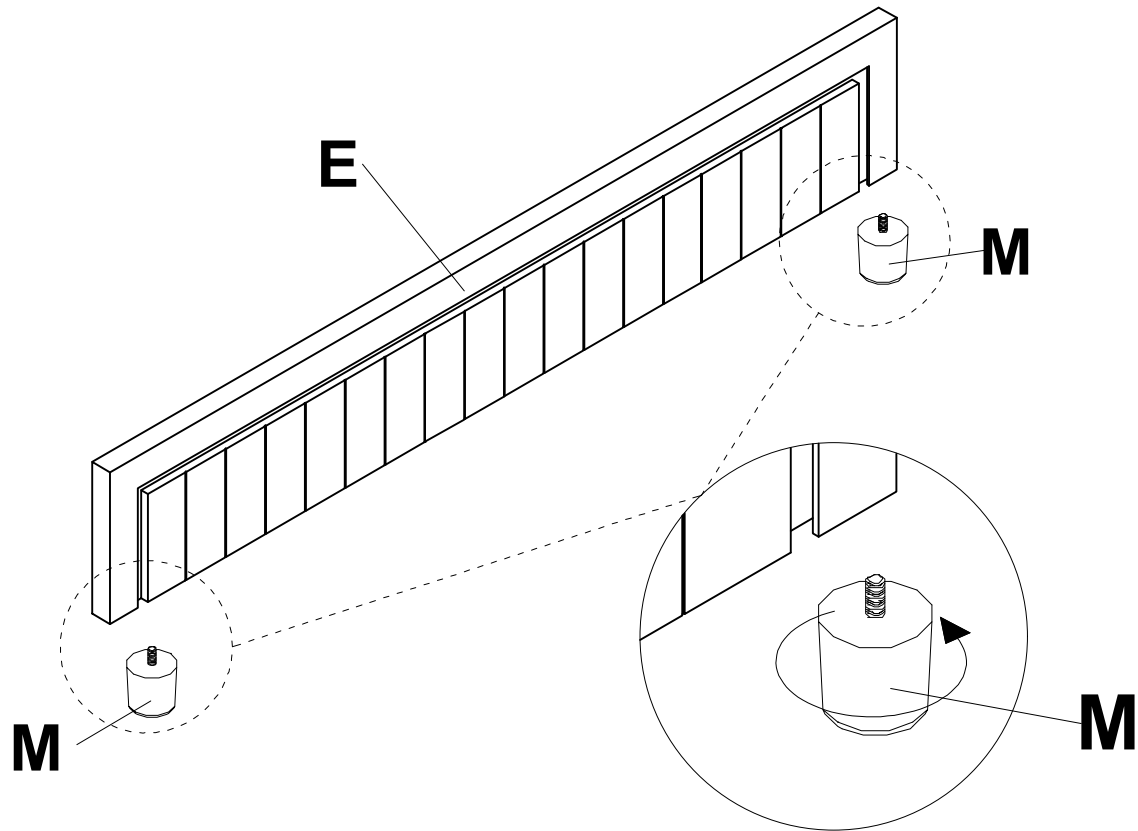
 M6 X 6mm	U x 16PCS
	P x 1PC

STEP 6 Install Screw #V into drawer board Q

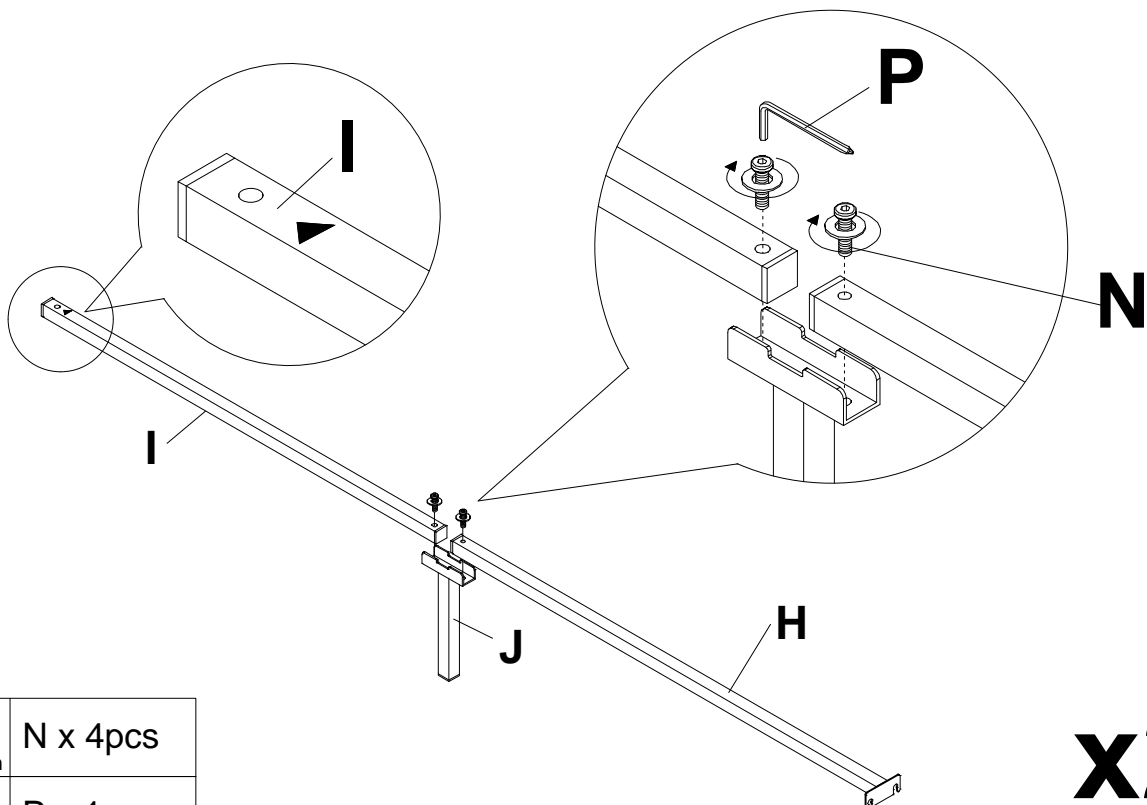




 M6 X 17mm	V x 12PCS
	P x 1PC

STEP 7 Install bed leg M into footboard E



STEP 8 Red sticker facing upward for Part I



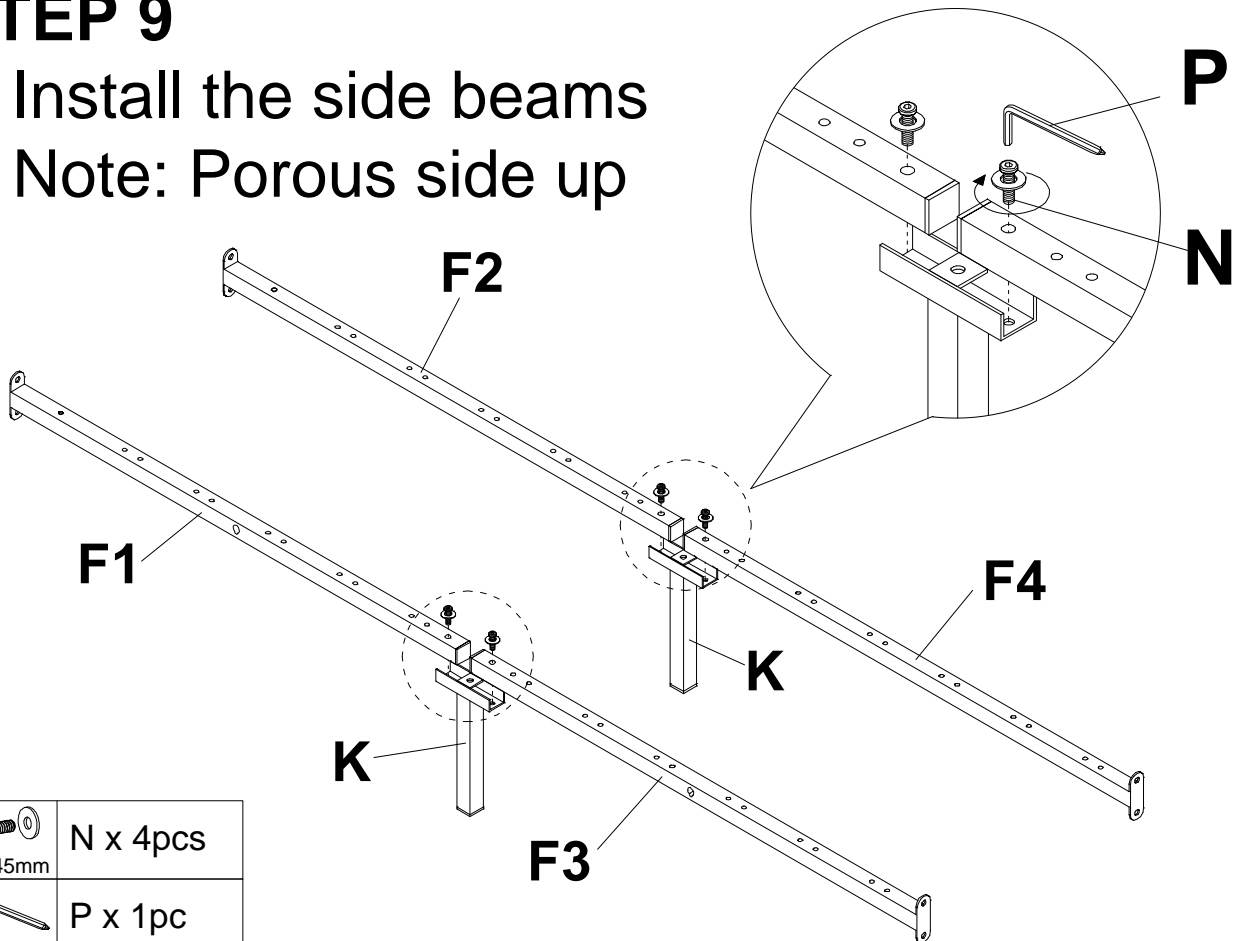
	N x 4pcs
M8 X45mm	
	P x 1pc


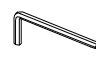
x2

STEP 9

Install the side beams

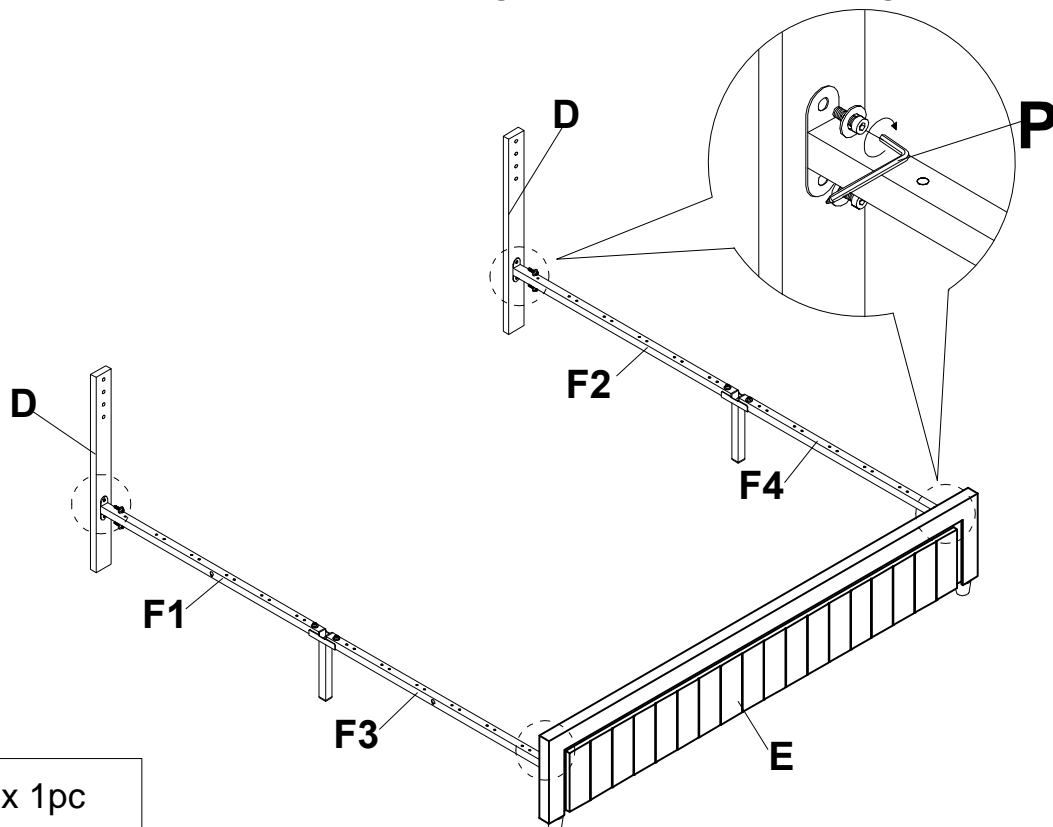
Note: Porous side up

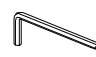


	N x 4pcs
	P x 1pc

STEP 10

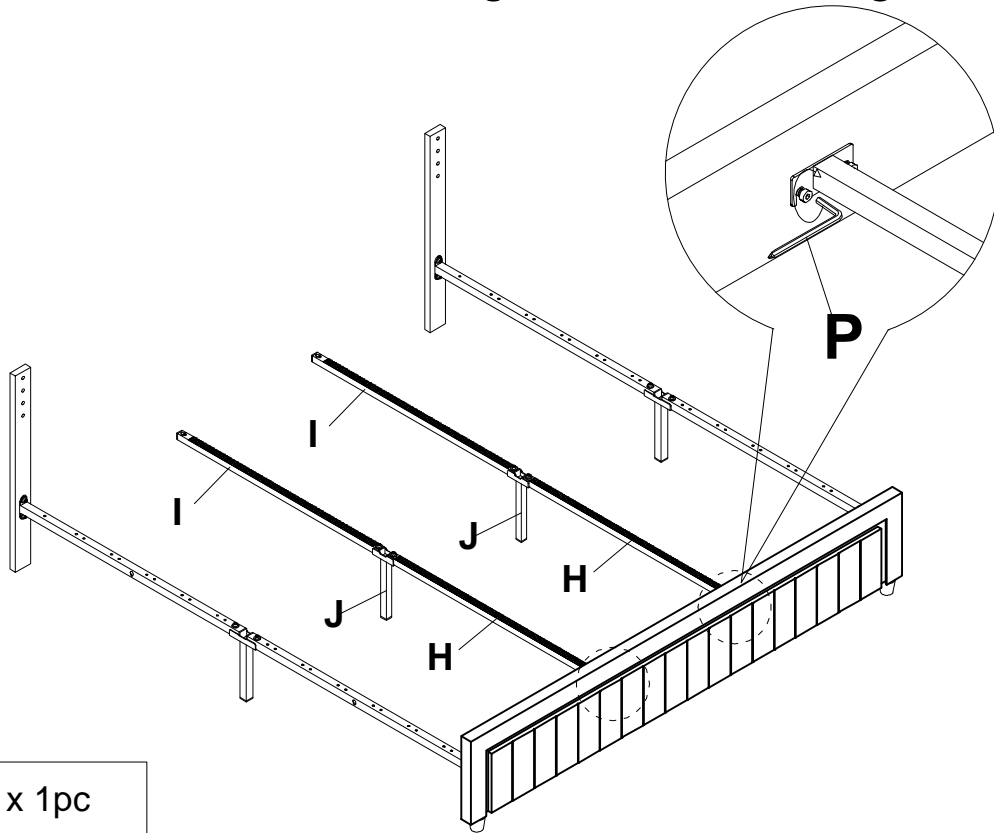
Loosen inner screws, hang brackets and tighten screws.



	P x 1pc
---	---------

STEP 11

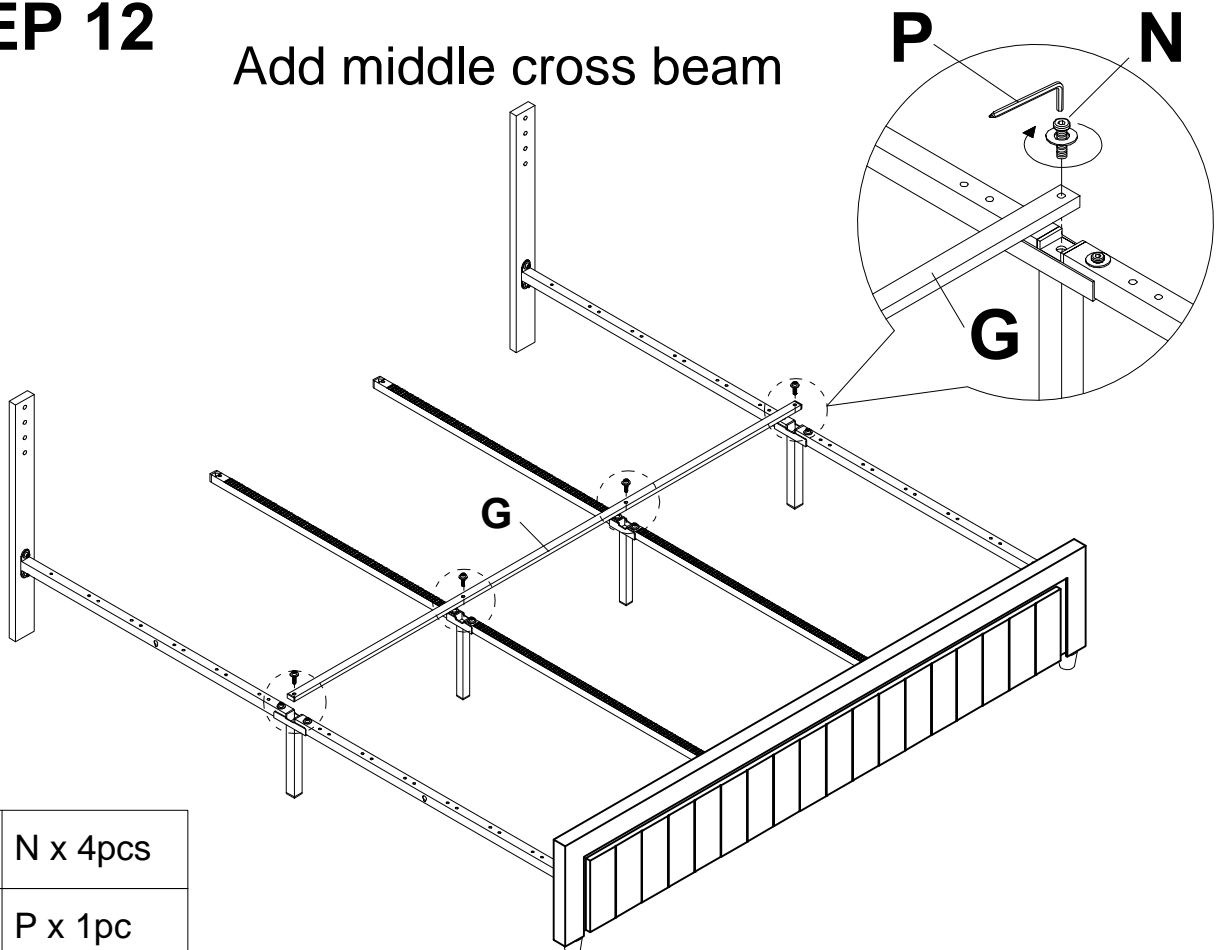
Loosen inner screws, hang brackets and tighten screws.



P x 1pc

STEP 12

Add middle cross beam



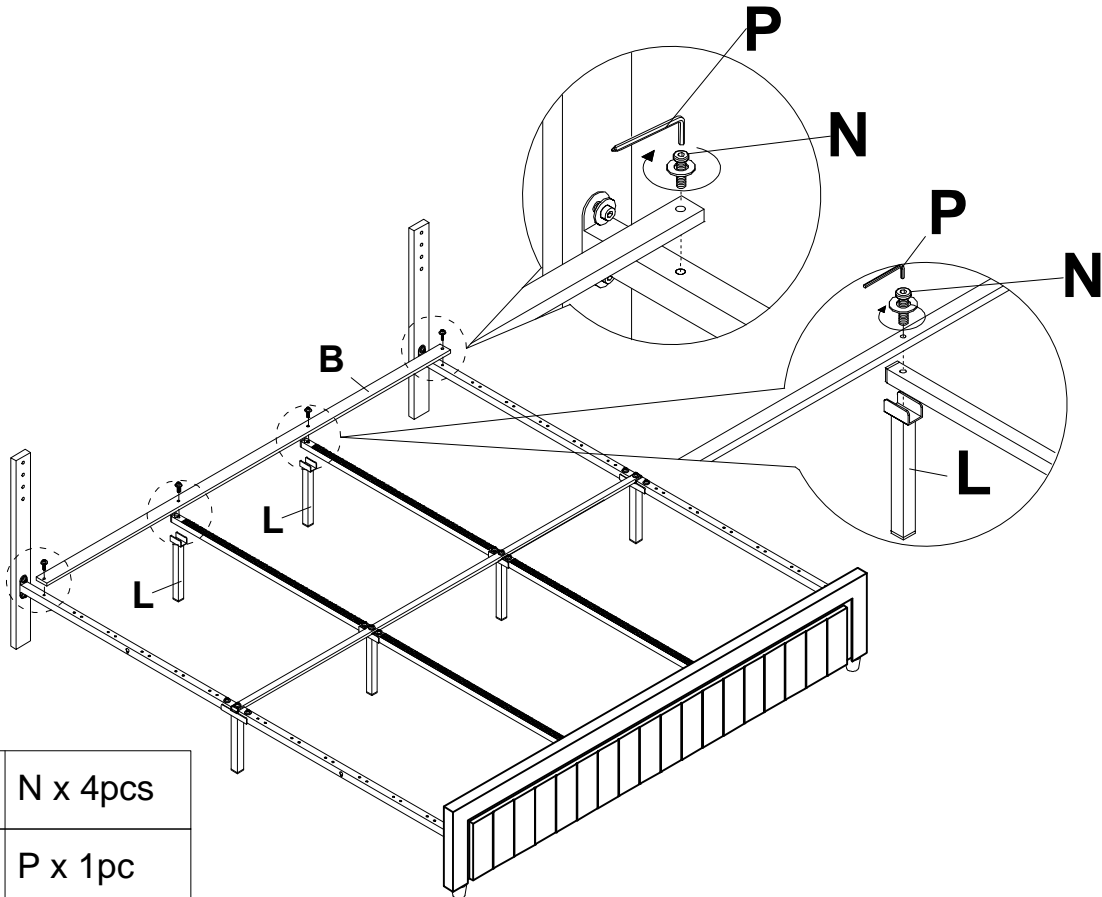
M8 X45mm


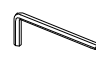
N x 4pcs



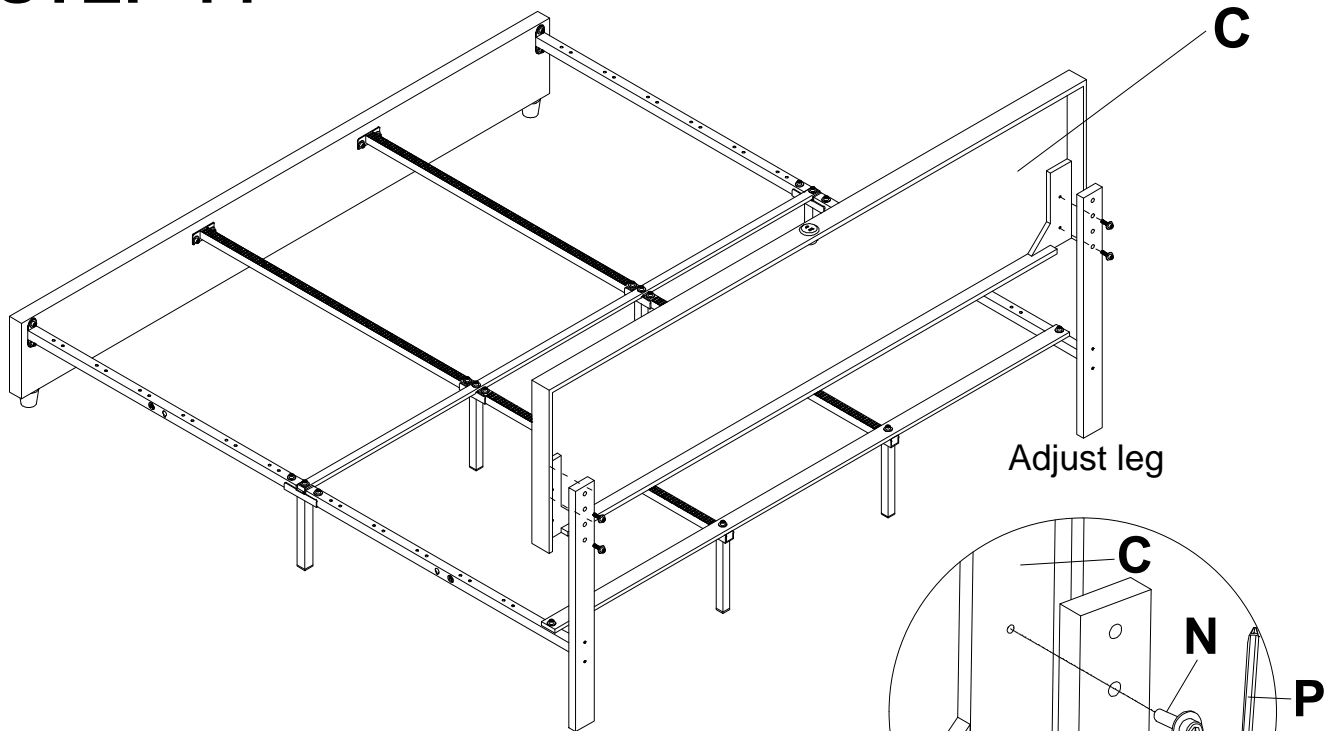
P x 1pc



STEP 13 Add cross beam under headboard



 M8 X45mm	N x 4pcs
	P x 1pc

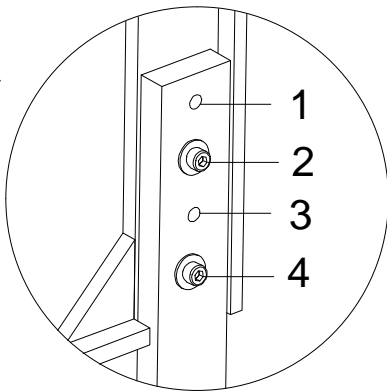
STEP 14



 M8 X45mm	N x 4pcs
	P x 1pc

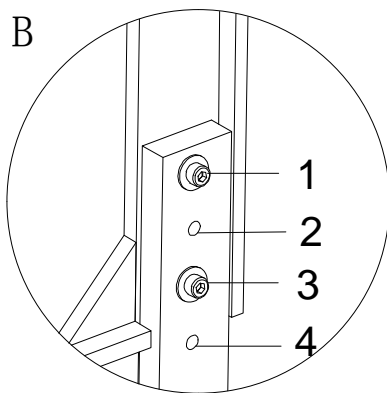
STEP 15

Plan A



Plan A Fits a 10 inch thick mattress when attach screws to Hole 2 & Hole 4.

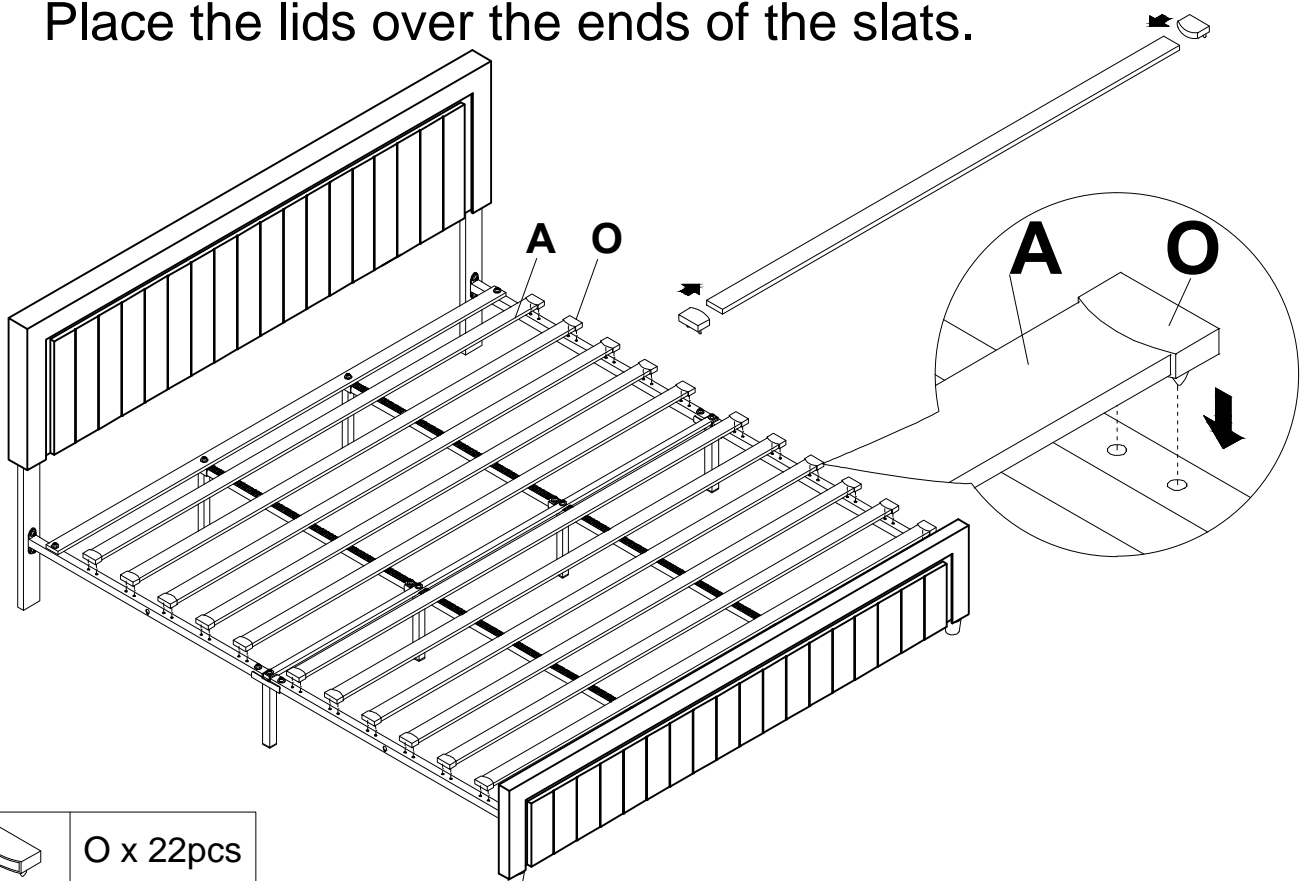
Plan B



Plan B Fits a 12 inch thick mattress when attach screws to Hole 1 & Hole 3.

STEP 16

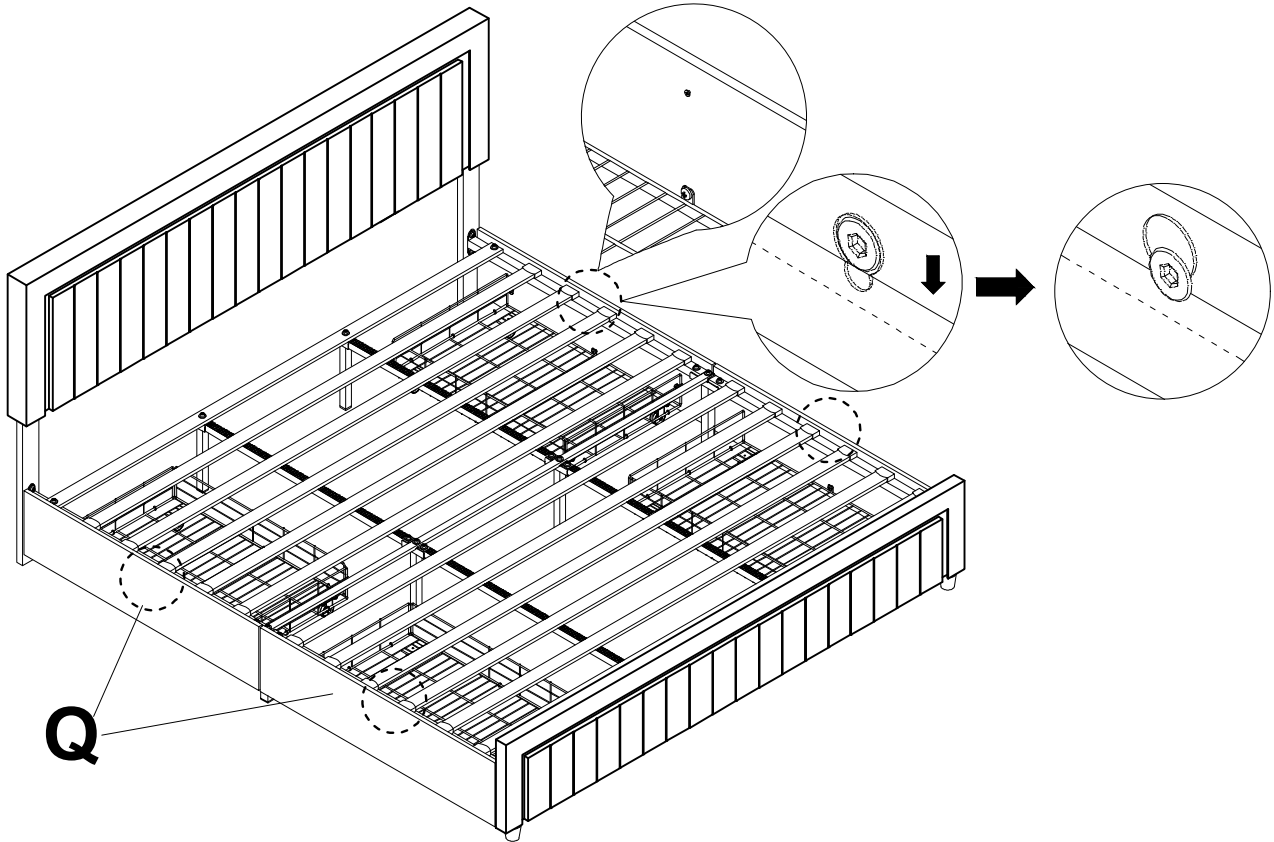
Place the lids over the ends of the slats.



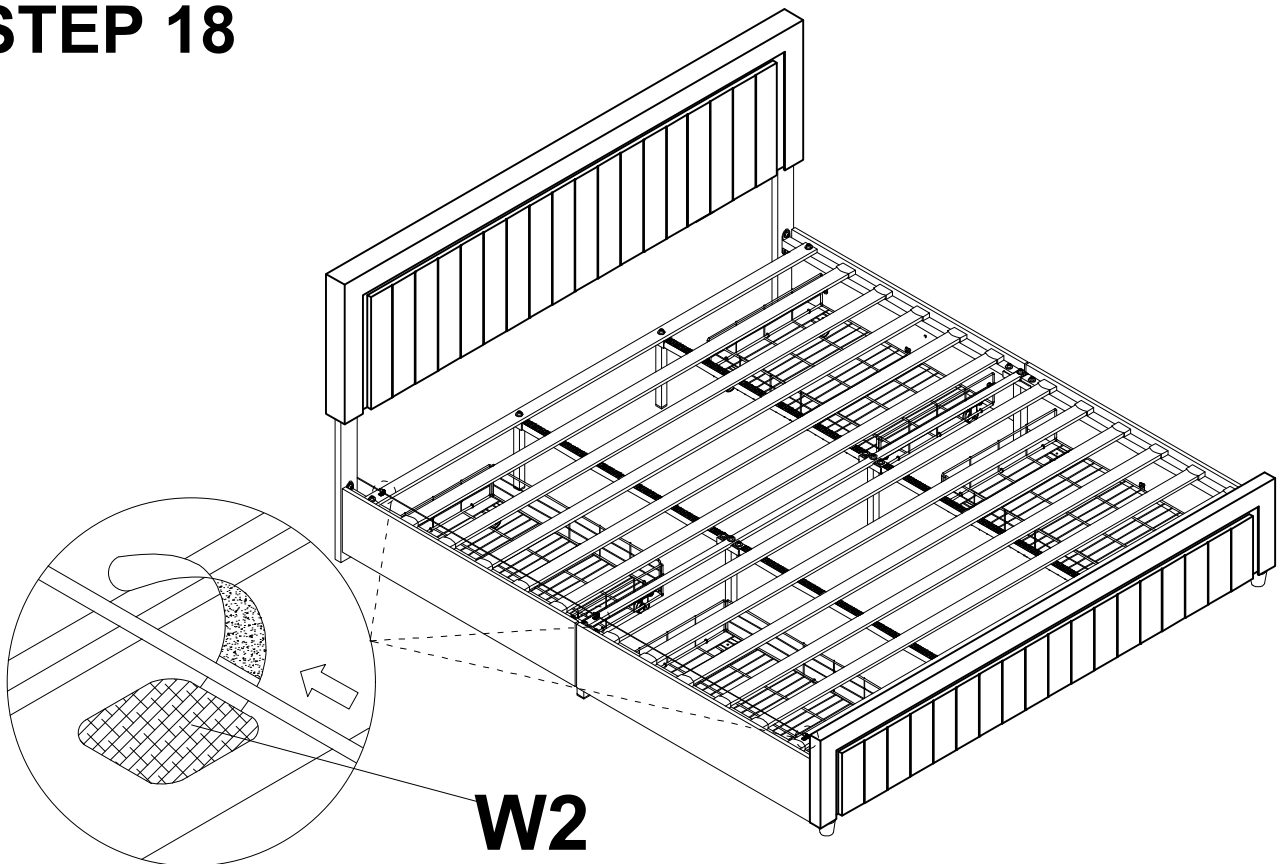
O x 22pcs


STEP 17

Attach the screw (mentioned in Step6)
match with the hole of part F1, F2, F3, F4.



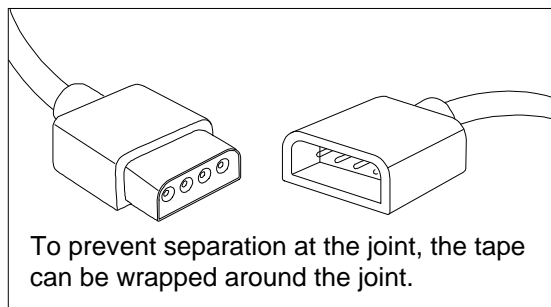
STEP 18



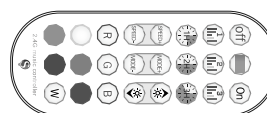
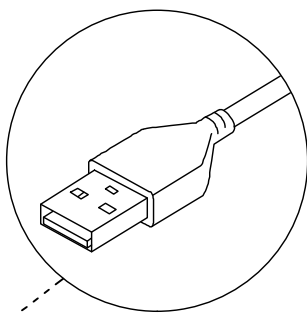
 W2 x 3pcs

Use Velcro to fix the light strip

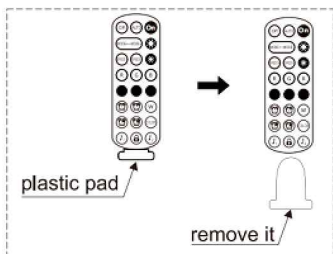
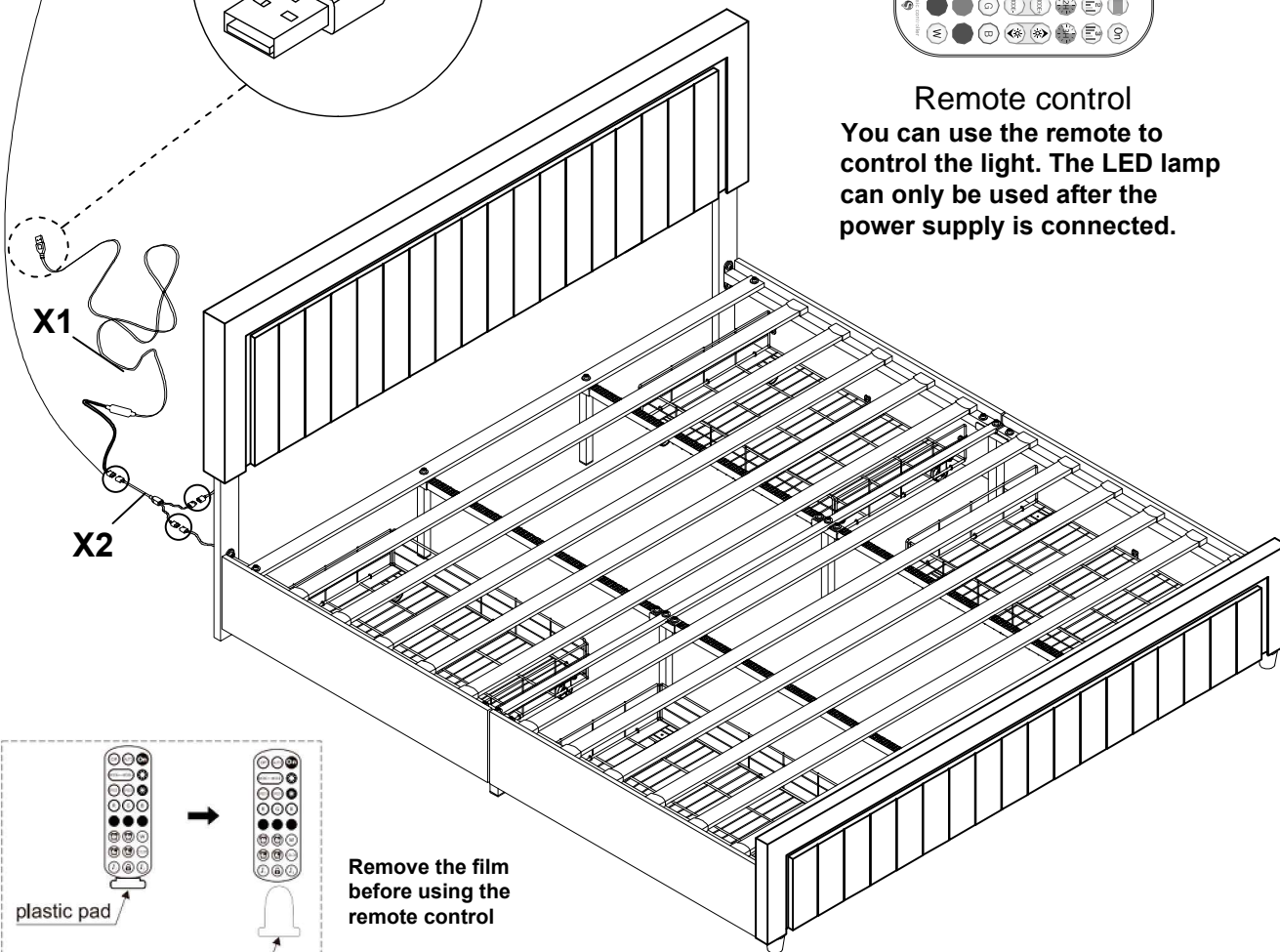
STEP 19



NOTE: The black part of the receiver (X1/X2) needs to be exposed to air in order to better control the LED light.



Remote control
You can use the remote to control the light. The LED lamp can only be used after the power supply is connected.



Remove the film before using the remote control

Please scan the QR code on the manual/controller and install the application.
Step1: Please make sure your phone has bluetooth enabled.
Step2: The LED light will automatically connect to the APP.



	X1 x 1pc
	X2 x 1pc