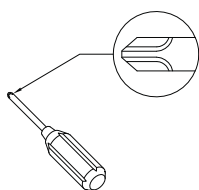


# Assembly Instructions

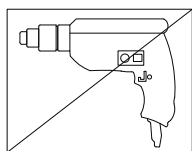


# General Assembly Guidelines

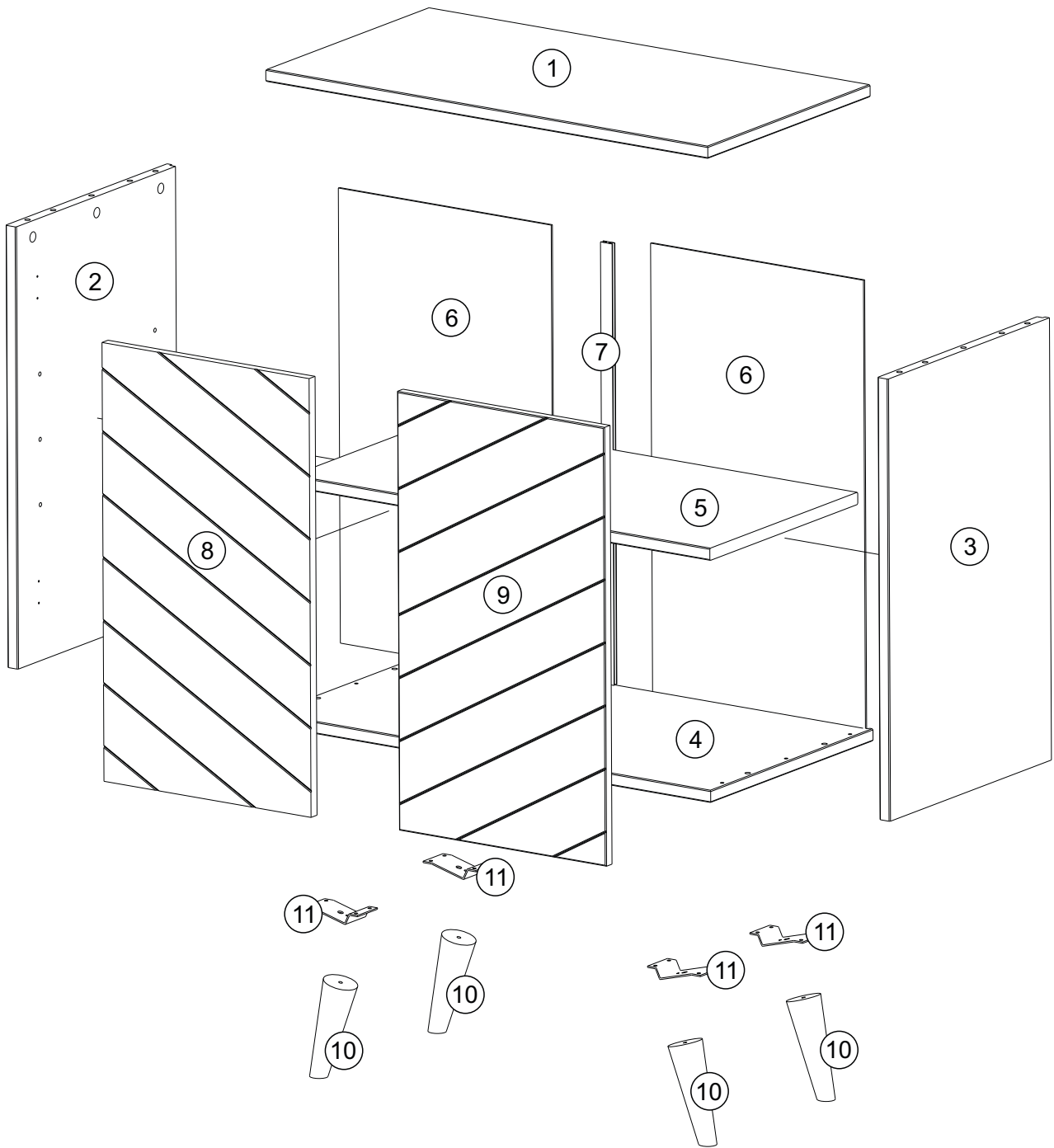
- I. Ensure that all parts and hardware are available before beginning assembly.
- II. Follow each step carefully to ensure the proper assembly of this product.
- III. Two people are recommended for ease in the assembly of this product.
- IV. The three main types of hardware used to assemble this product are : wood dowels , screws and bolts.
- V. A Phillips head screwdriver is required for the assembly of this product .



- VI. Power tools should not be used to assemble this product .

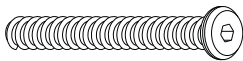
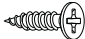


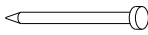


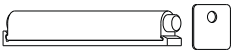
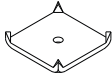
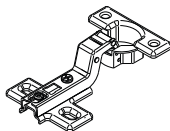
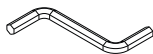




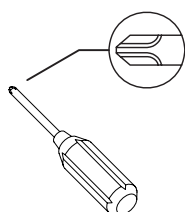
# Parts List



- Part 1: Top
- Part 2: Left side
- Part 3: Right side
- Part 4: Bottom
- Part 5: Shelf
- Part 6: Back
- Part 7: H profile
- Part 8: Left door
- Part 9: Right door
- Part 10: Leg
- Part 11: Leg plat

# Hardware List

A		Ø7x50 mm	Bolt	04 pcs
B		Ø3,5x16 mm	Screw	42 pcs
C		Ø4x45 mm	Screw	06 pcs
D		Ø8x30 mm	Wood dowel	08 pcs
E		10x10	Nail	26 pcs
F			Minifix Screw	06 pcs
G			Minifix Cam Lock	06 pcs
H			Touch closure	02 pcs
I			Plate with claw	08 pcs
J			Hinge Soft Close	04 pcs
K			Hex key	01 pc
L			Shelf Support	04 pcs
M			Wall Anchor	01 pc

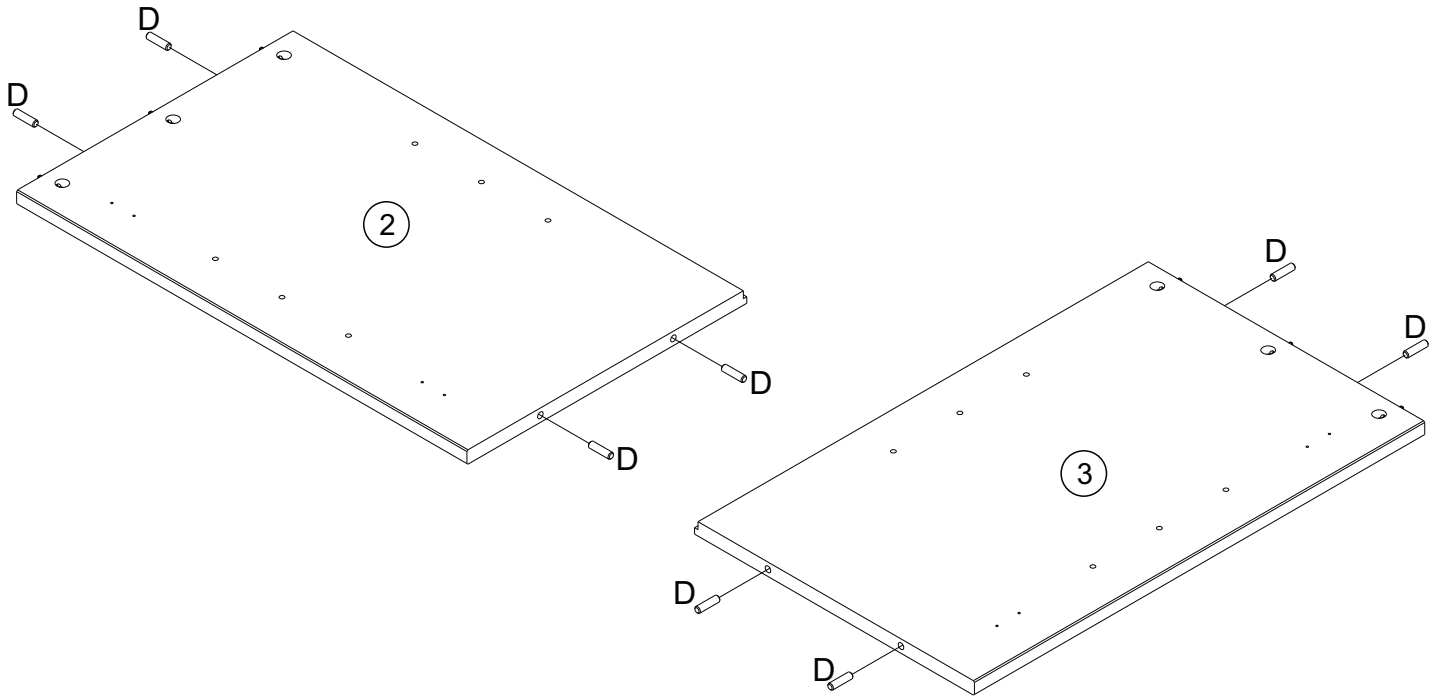


Philips head screwdriver required for assembly  
(not included)

*The hardware quantities listed above are required for proper assembly.  
Some extra hardware may also have been included.*

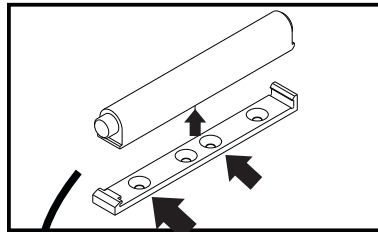
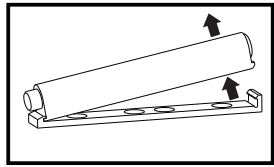
# Step 1

D



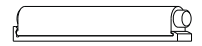
Insert wood dowels (D) into parts (2,3).

# Step 2



Use to attach

H

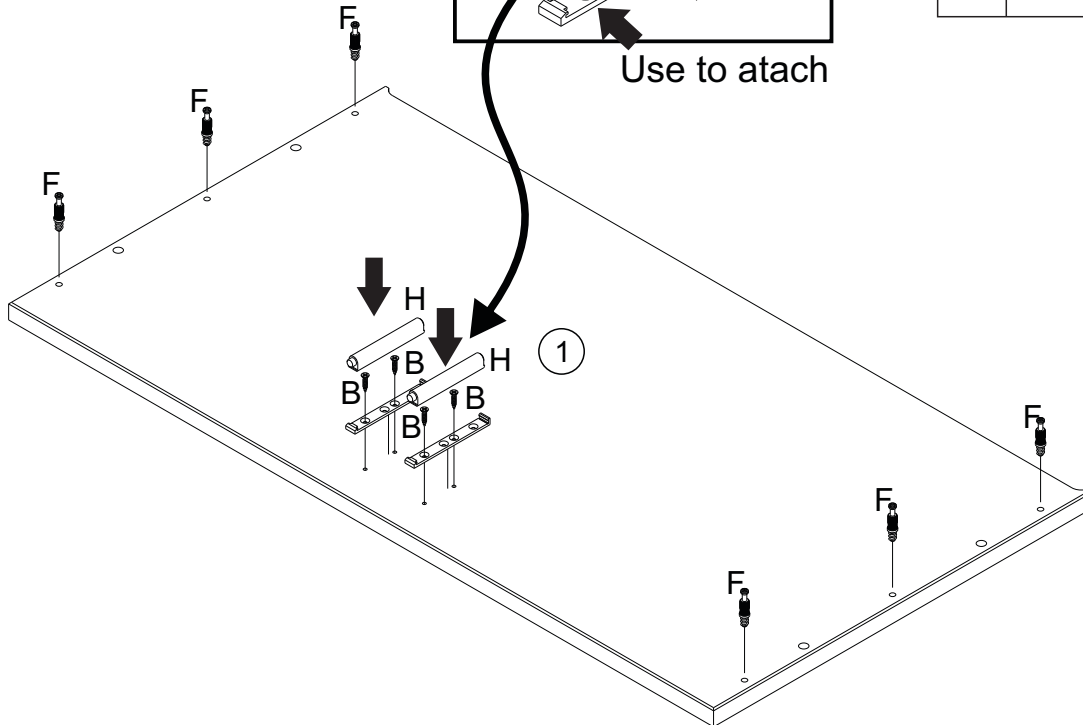


B

16 mm

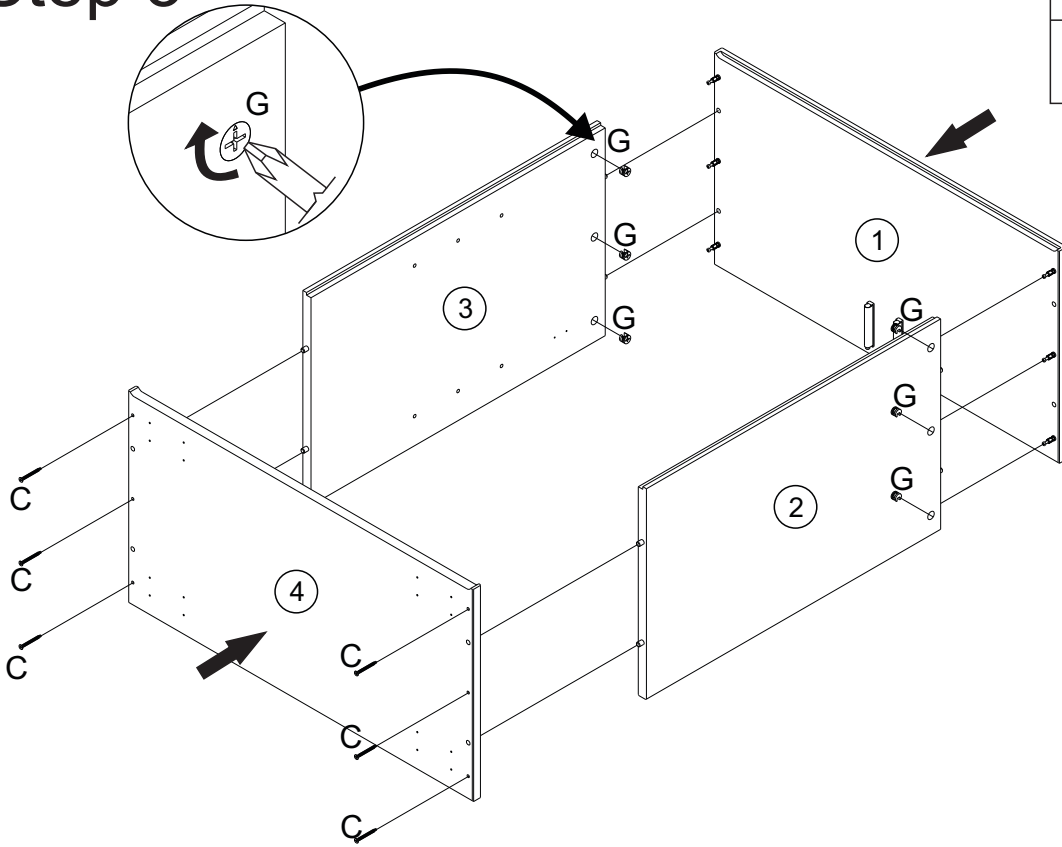




F



Attach touch closure (H) into part (1) using Screw (B) and fixing minifix screw (F)

# Step 3

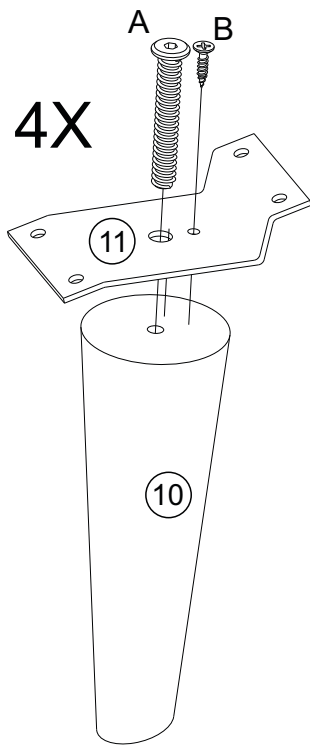


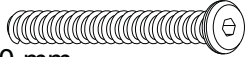


C	 45 mm
G	

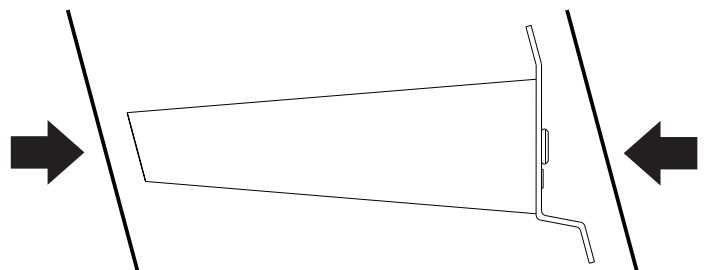
Secure part (1) to parts (2,3) using minifix cam lock and secure parts(4) to parts (2,3) using Screw (C).

J

# Step 4



A	 50 mm
B	 16 mm
K	

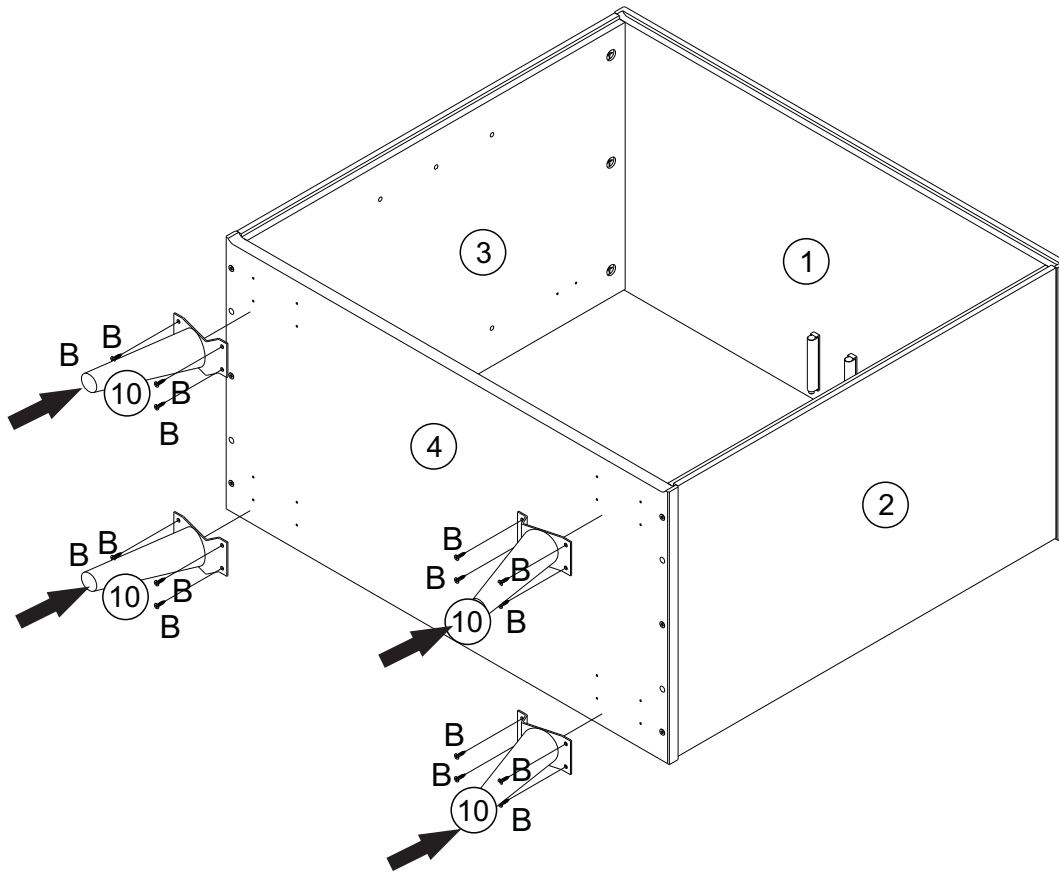


Connect part (10) to part (11) using bolt (A) hex key (K) and Screw (B)

# Step 05

B

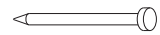
16 mm



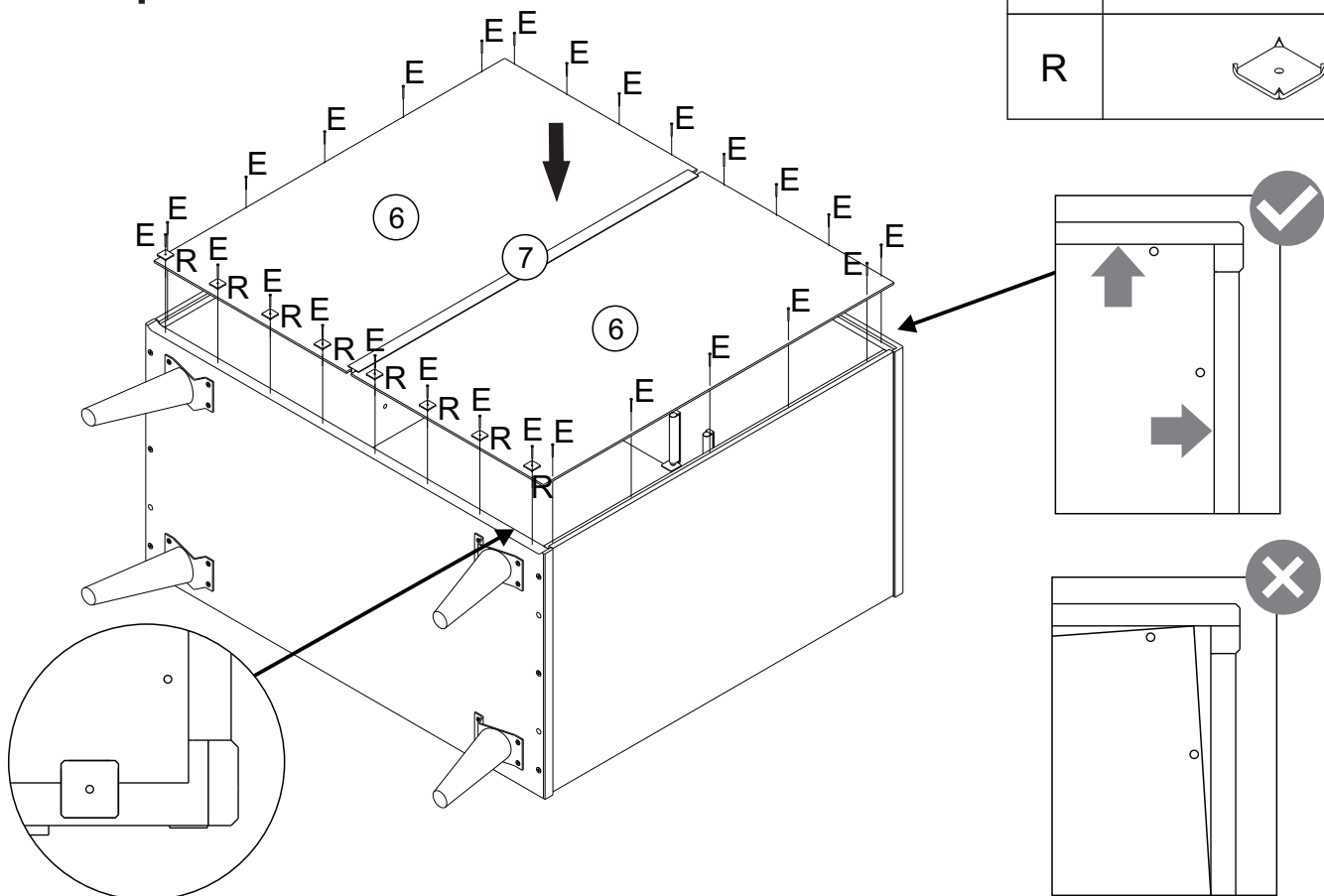
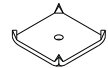
Secure parts (10,11) to part (4) using screw (B).

# Step 06

E



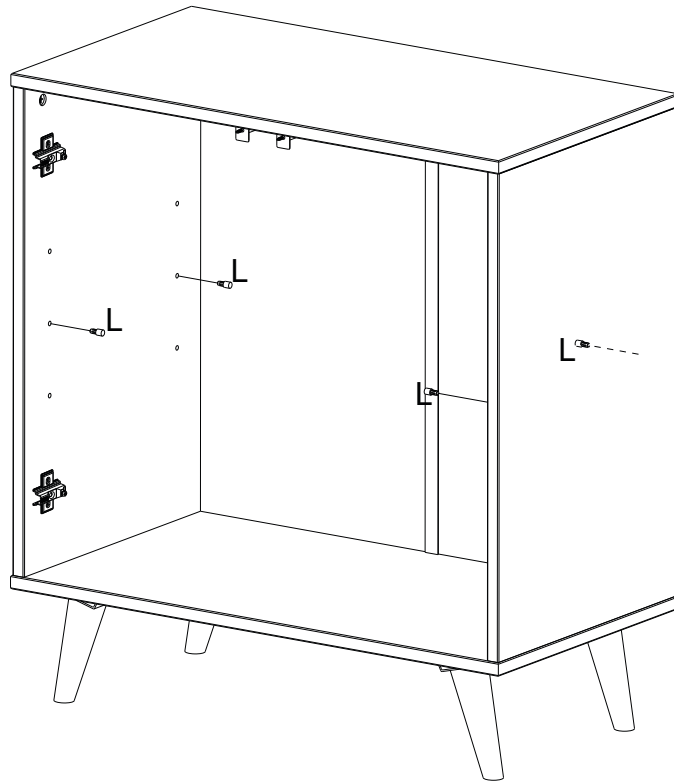
R



Fixing parts (6) to part (7) an attach using nail (E)

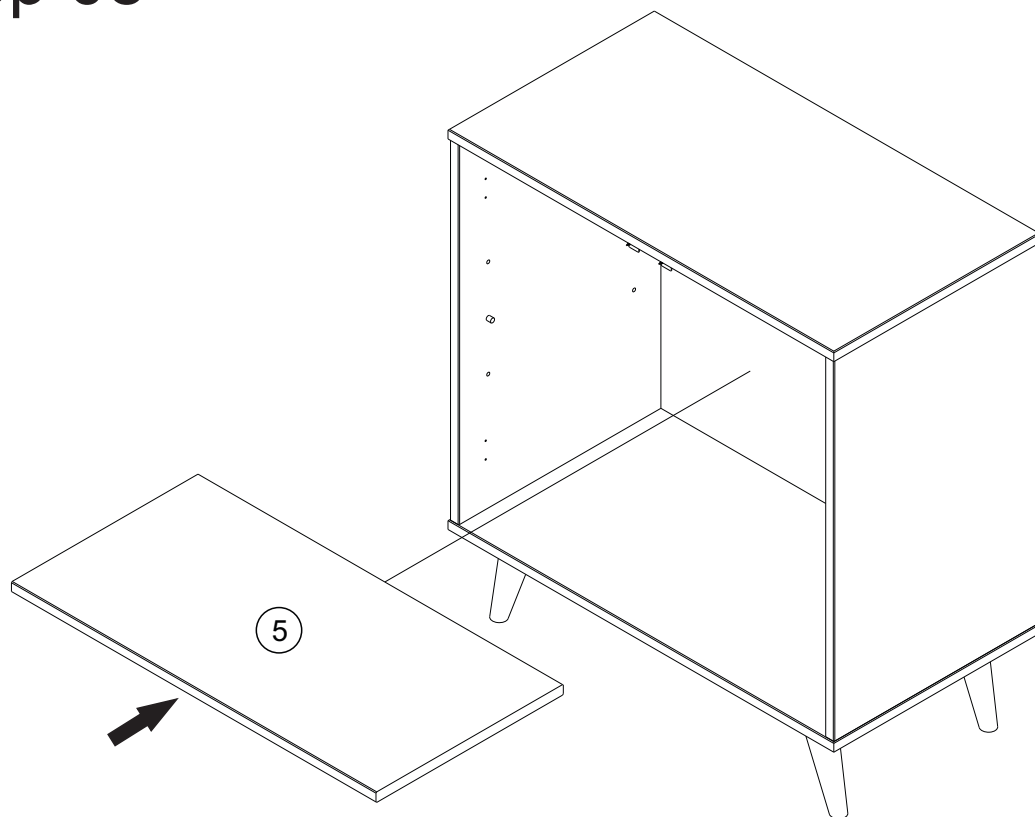
# Step 07

L





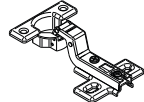
Fixing the shelf support (L)

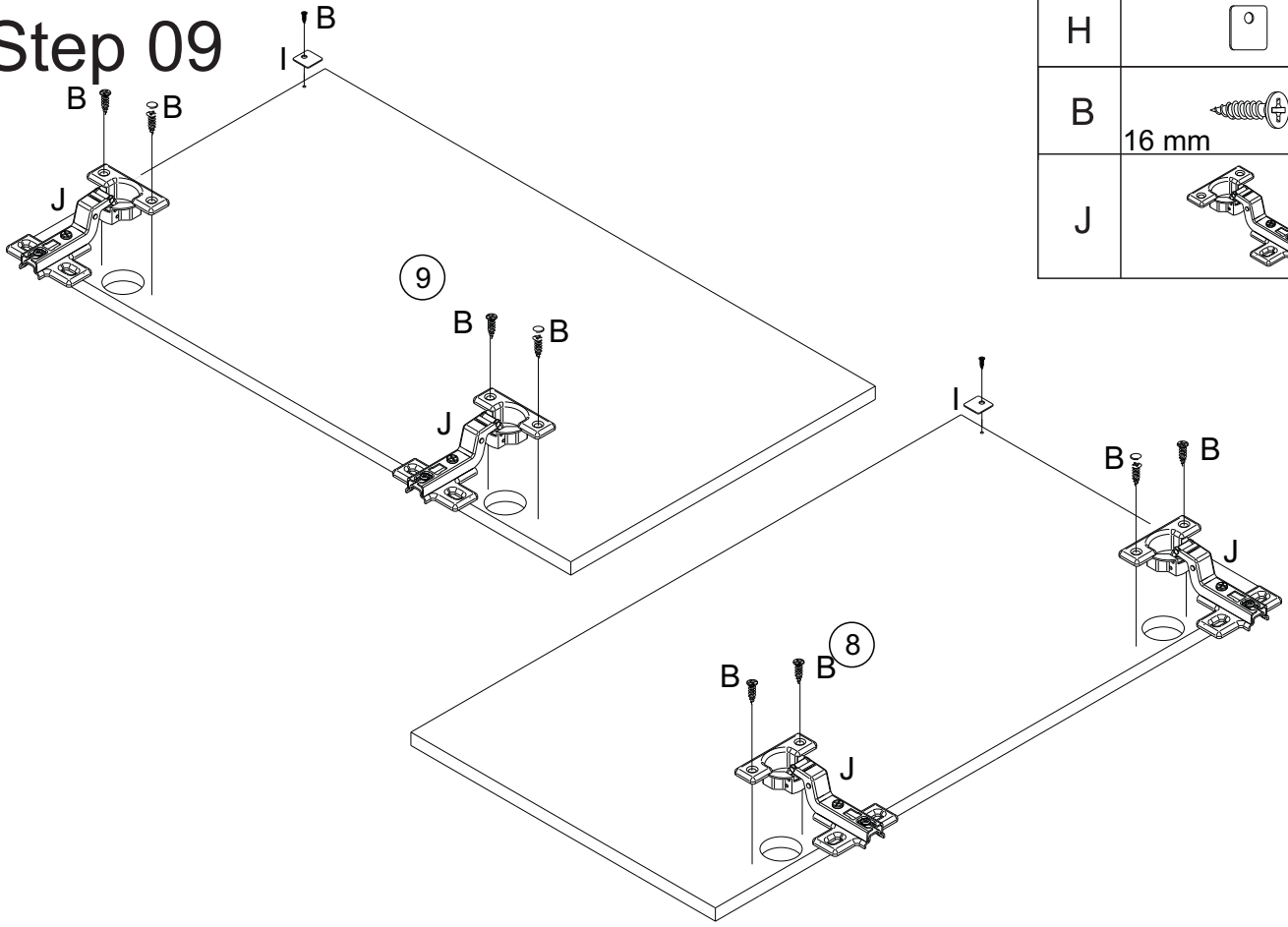
# Step 08



Insert part (5) on the shelf support (L)


# Step 09

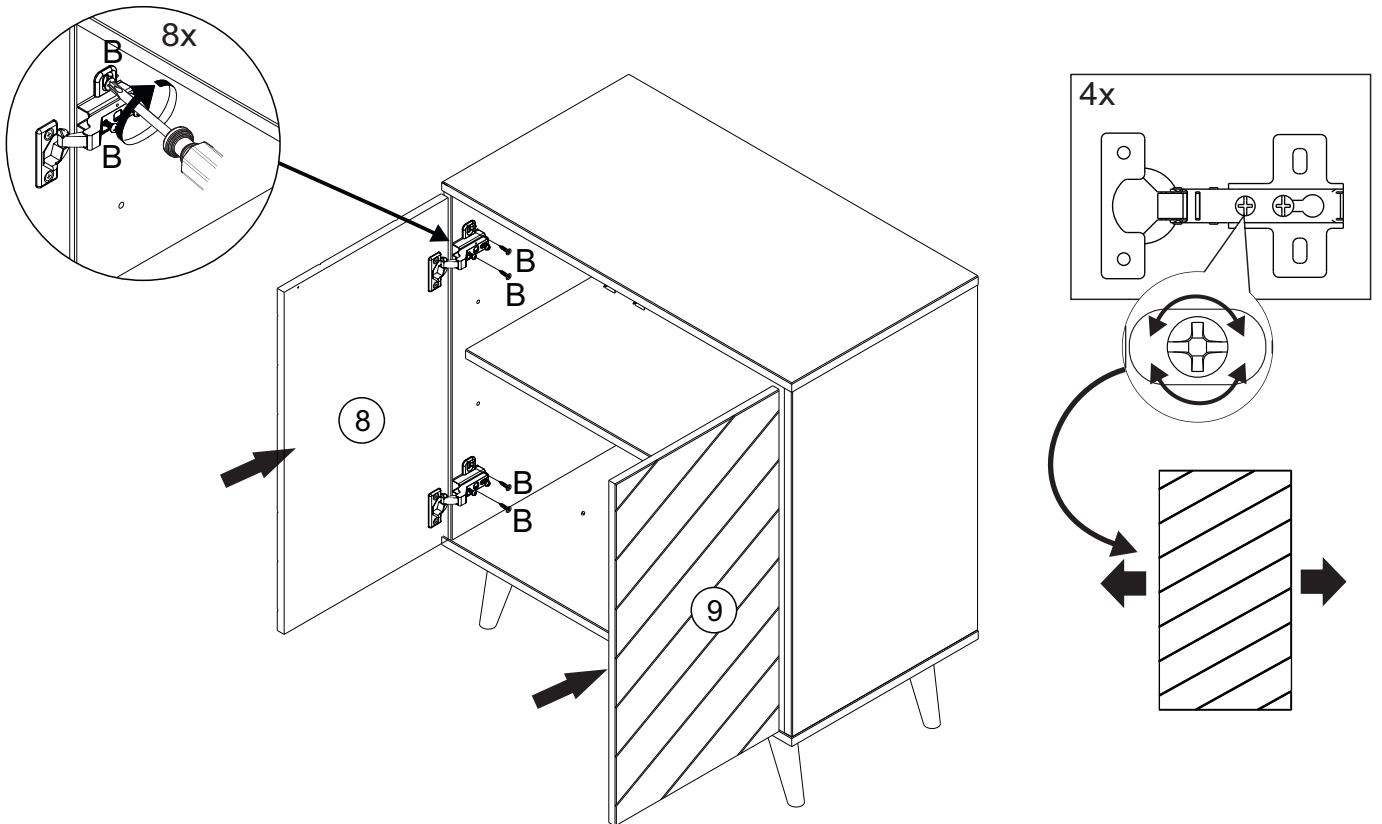
H	
B	 16 mm
J	



Attach de hinge soft close (4) using screw (B0).

# Step 10

B	 16 mm
---	--

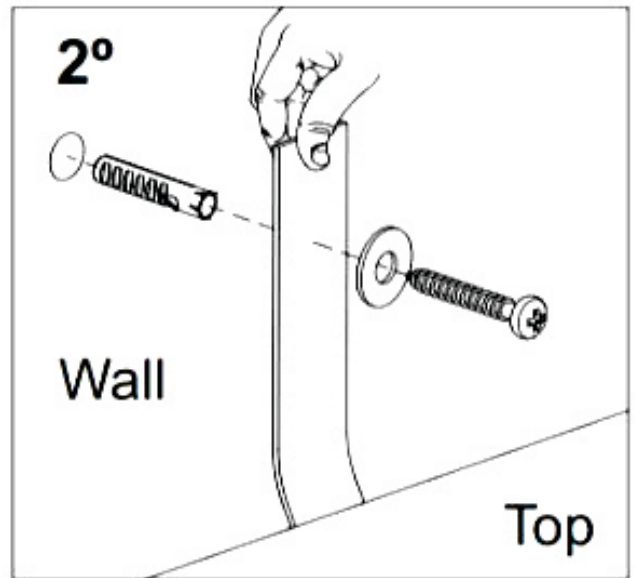
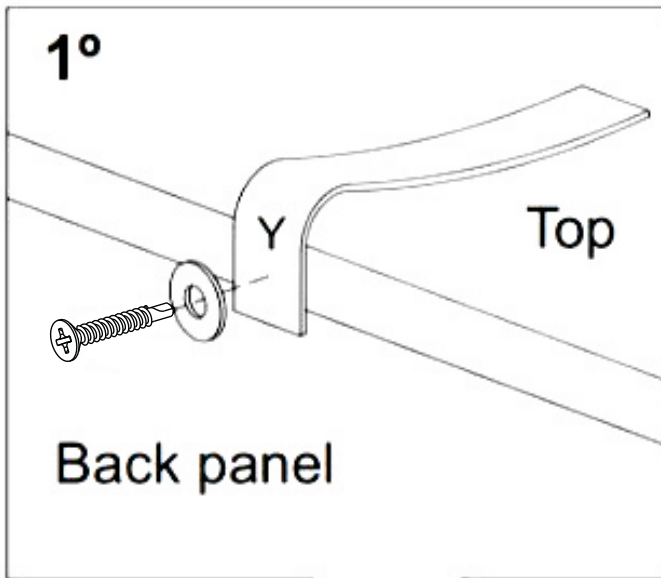


Attach de doors (8,9) using the hinge screw.


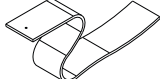

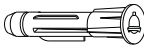

# WARNING

Serious or fatal injuries can occur from furniture tipping over. To prevent the furniture from tipping over we recommend that it is permanently fixed to the wall.

Wall anchor and hardware are included with this product. please make sure hardware is suitable for your walls before installing, as different wall materials may require different types of anchors.



## Hardware of Wall Anchor

 Ø3,5x20mm	01
	01
	02
	01
 Ø4,5x60mm	01

