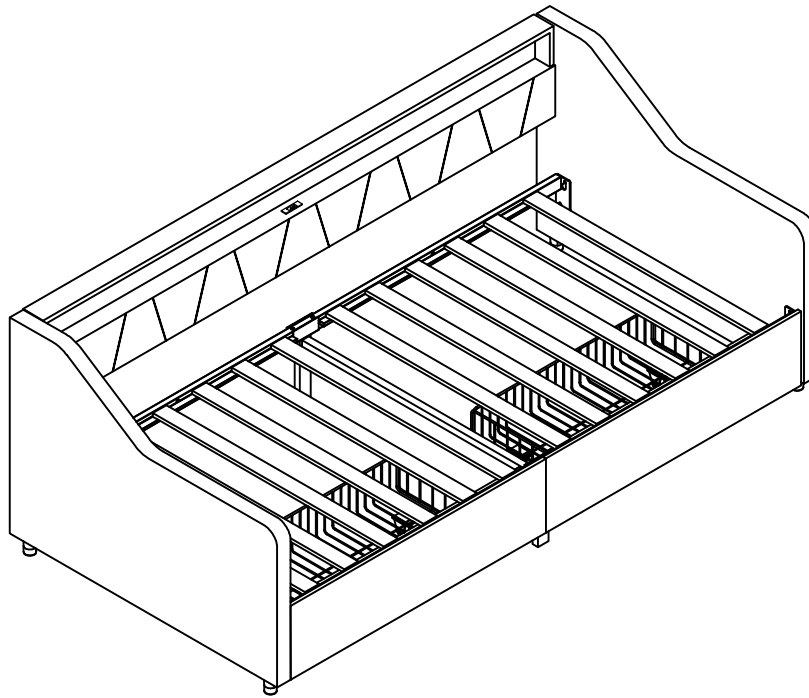


Assembly Instruction

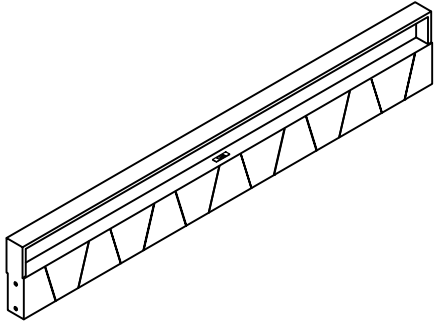
N652P381050 N652P381051



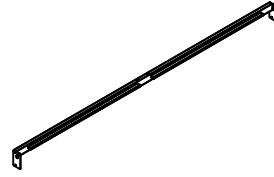
TIPS

- 1.This product is divided into 2 parcels for delivery. They may not arrive at the same time. Please wait patiently.
- 2.Please read the instructions fully before assembly. These instructions include important information which could ensure correct assembly. We have been working on providing high quality products for you. However, in the rare instance that your product is defective,missing parts or there are some issues, please don't hesitate to contact our customer service to submit parts requirements, assembly suggestion,or warranty claims, and we will give the best solution as soon as possible. If necessary, we need you to provide some more clear pictures of the issue.
- 3.Insert the screws in holes and tighten the screws, but not too tight, 70%~80% is ok, finally tighten all the screws. If some issues happened that some screws can not target to the hole or some parts are difficult to install, please adjust the tightness of the screws.
- 4.2 people are recommended to finish.

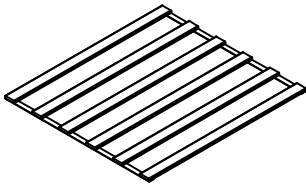
N652P381050



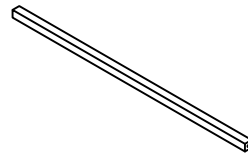
3
X1



4
X2

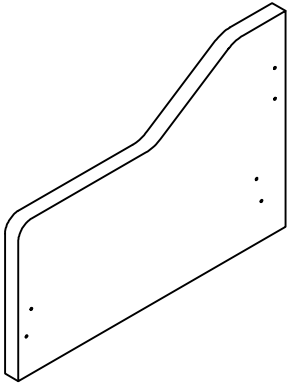


6
X2

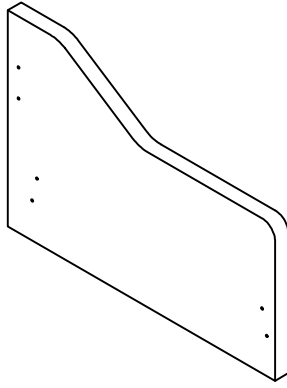


9
X1

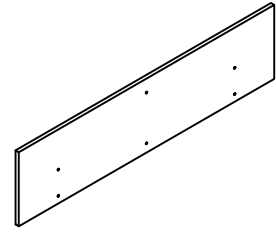
N652P381051



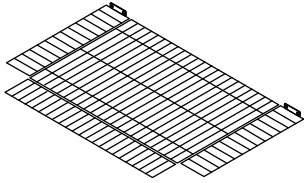
1
X1



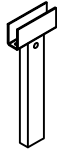
2
X1



5
X2



7
X2



8
X2



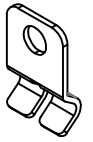
10
X4



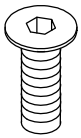
11
X8



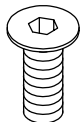
12
X4



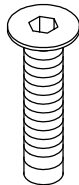
13
X2



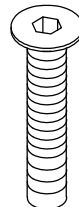
A
M6*15
X12+2



B
M8*25
X8+1



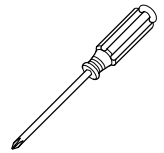
C
M8*40
X2+1



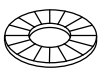
D
M8*45
X8+1



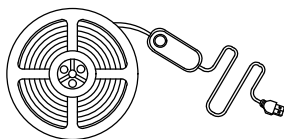
E
M5
X1



F
X1



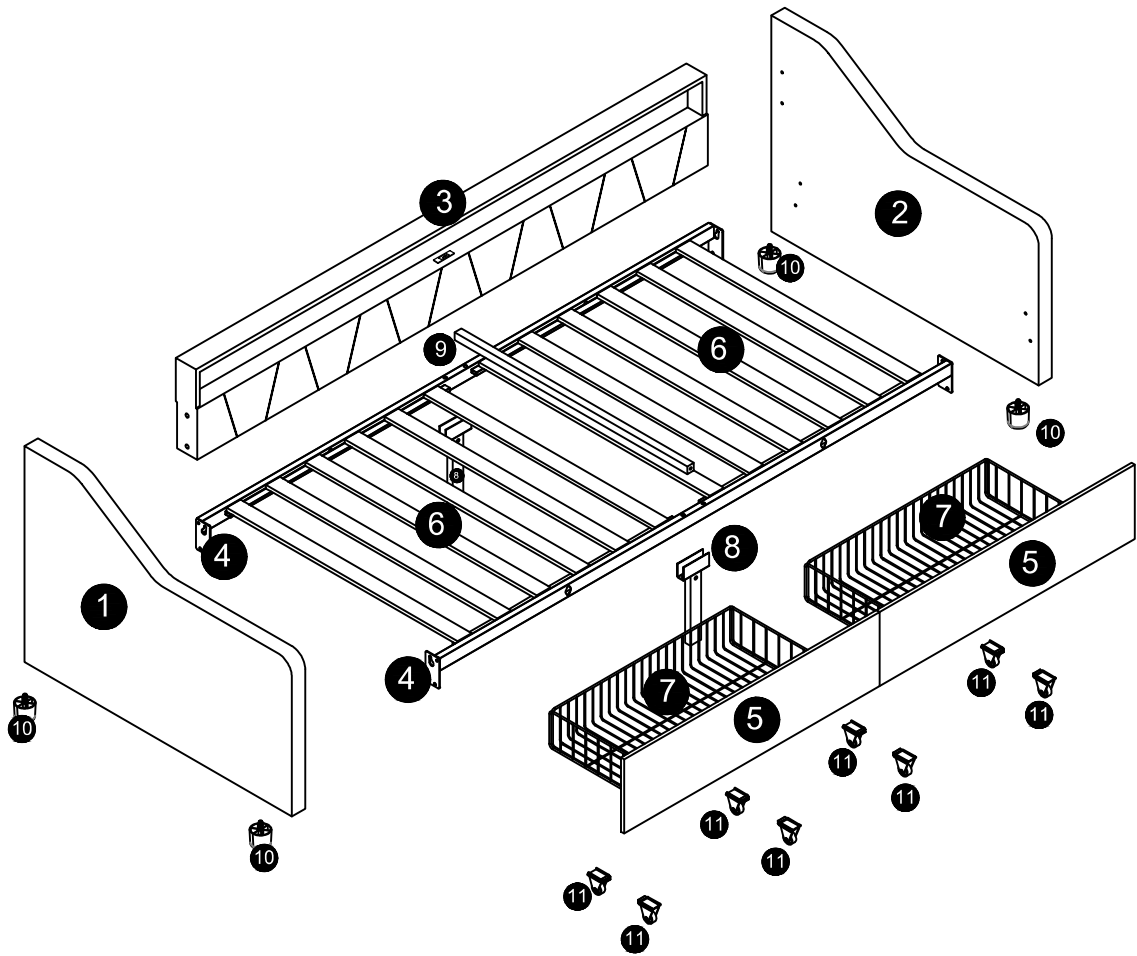
14
X4



LIGHT STRIP


Assembly Instruction


OVERVIEW

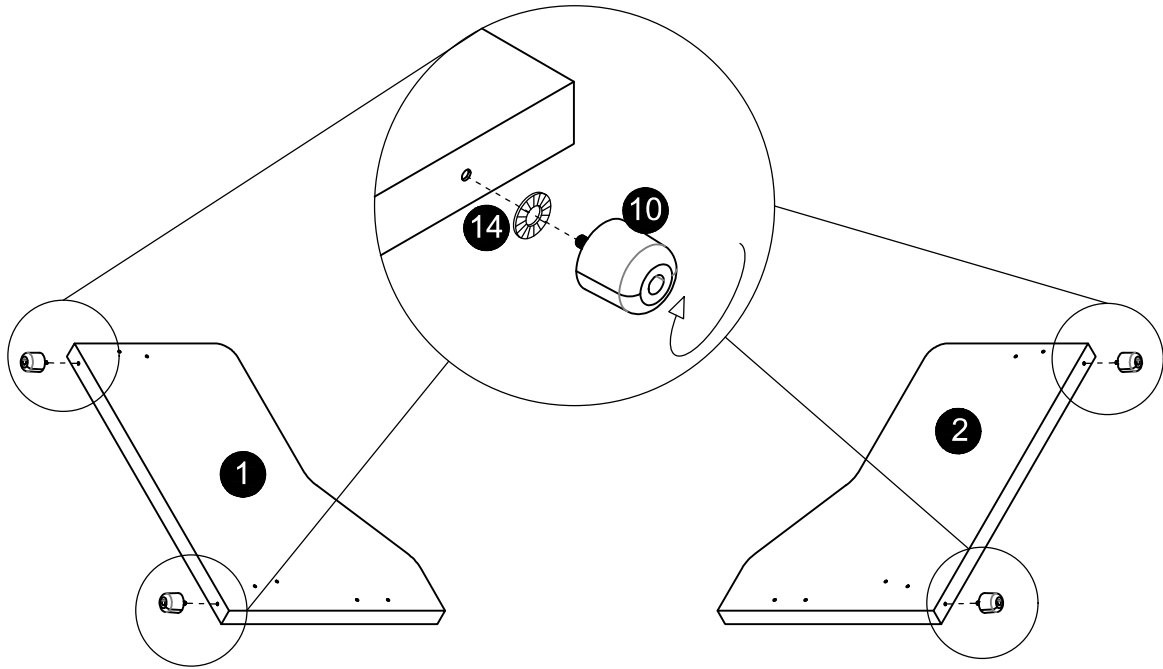


Assembly Instruction

1

10  X4

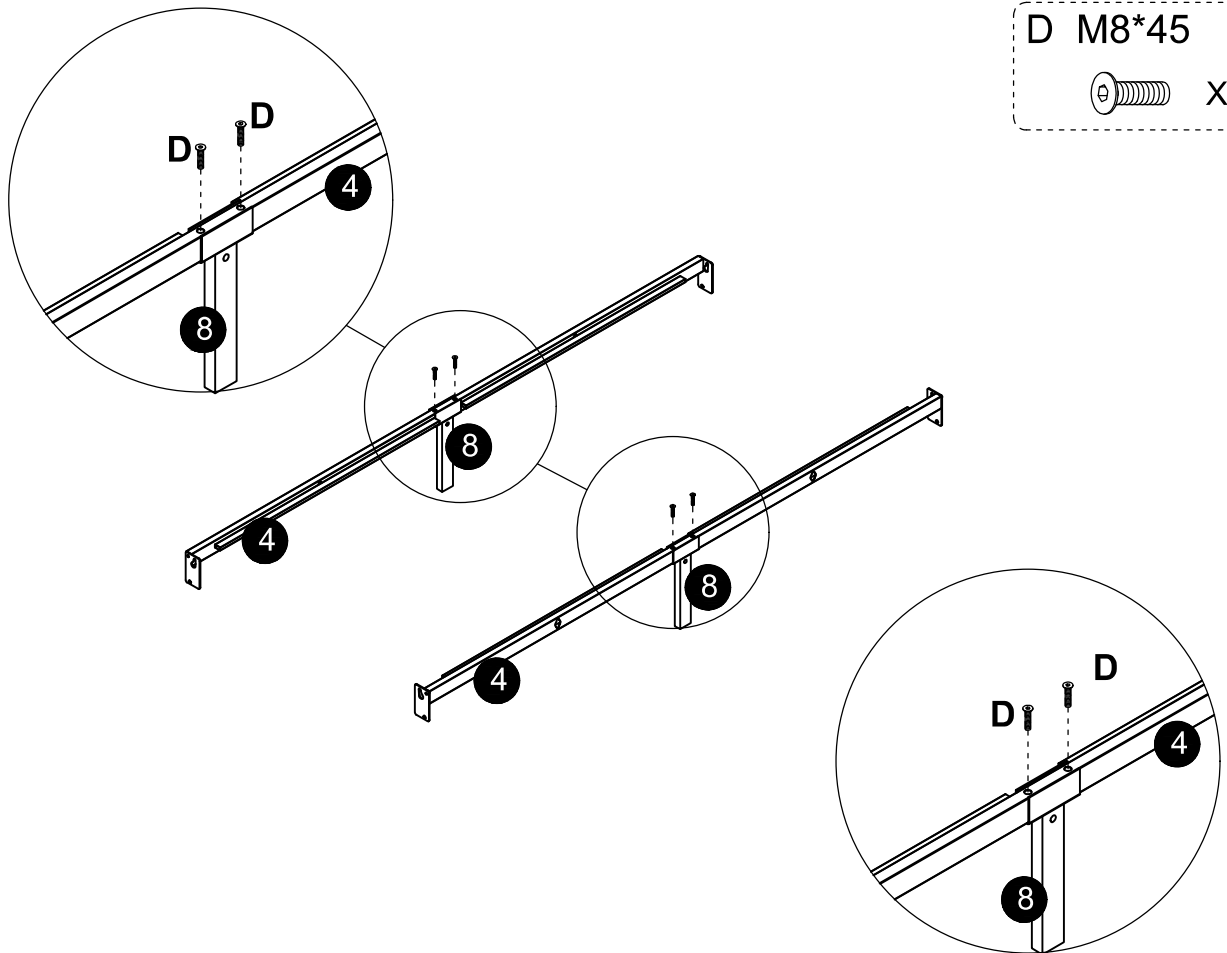
14  X4



2

D M8*45

 X4

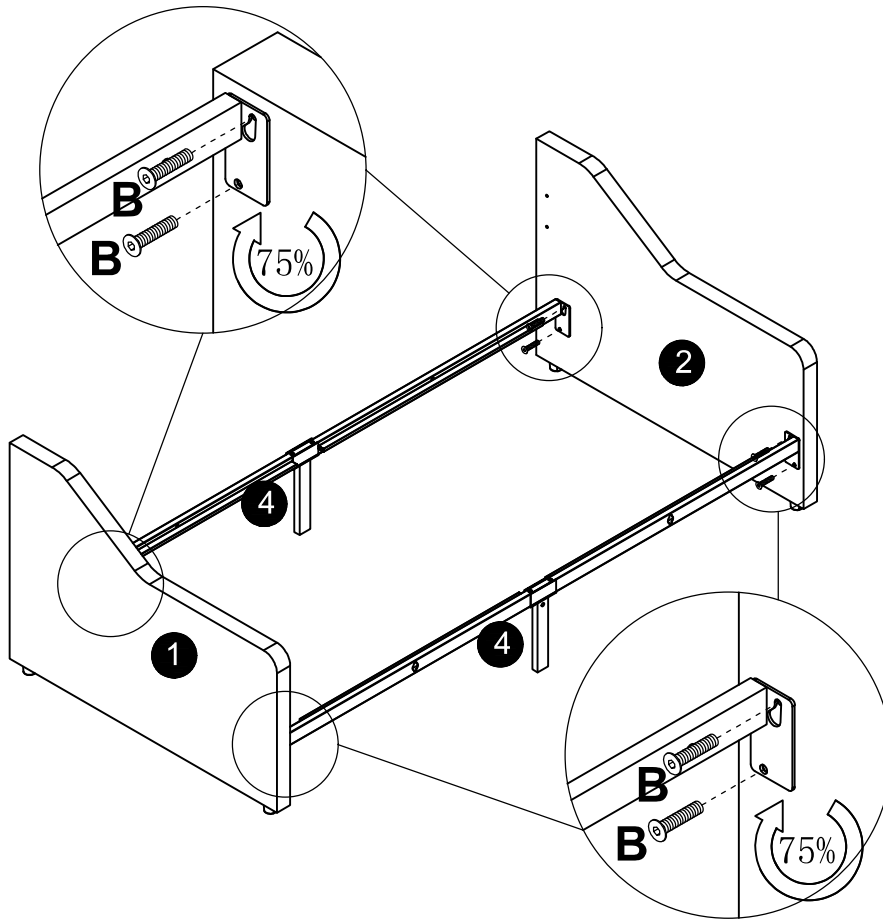


Assembly Instruction

3

B M8*25

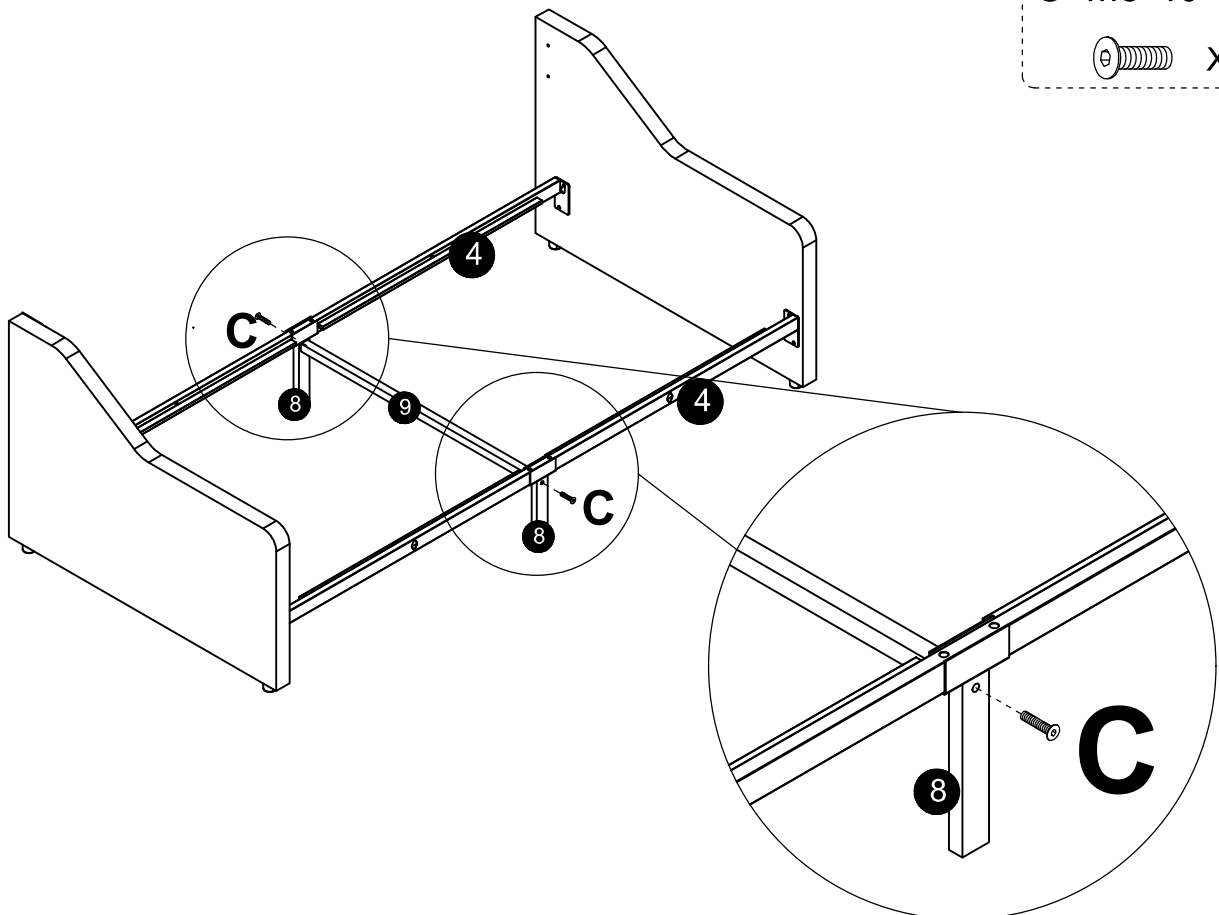
 X8



4

C M8*40

 X2

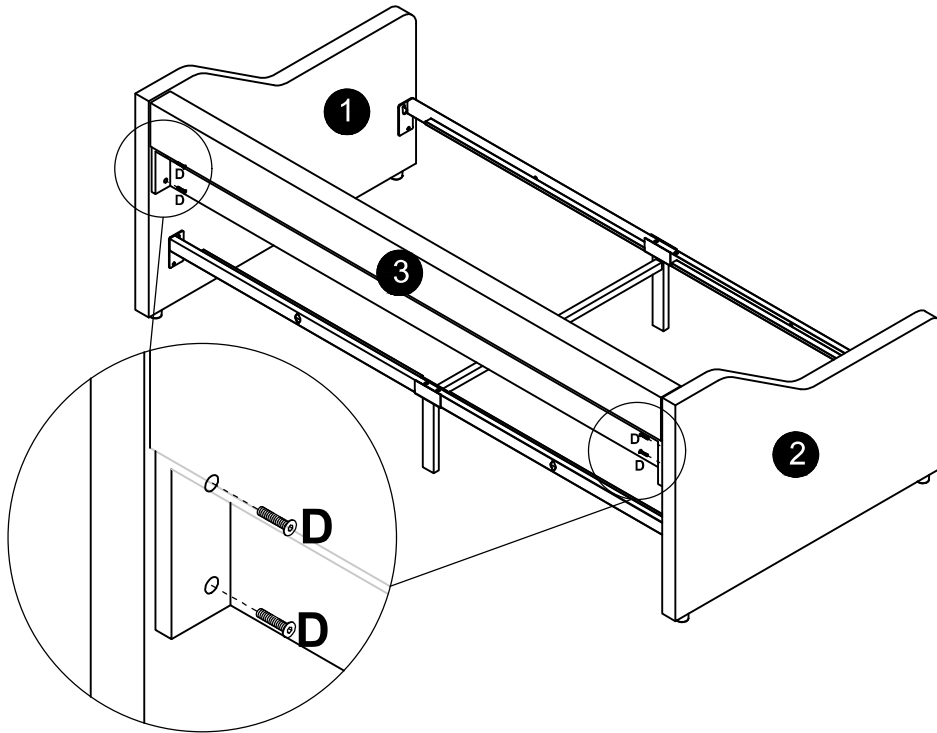


Assembly Instruction

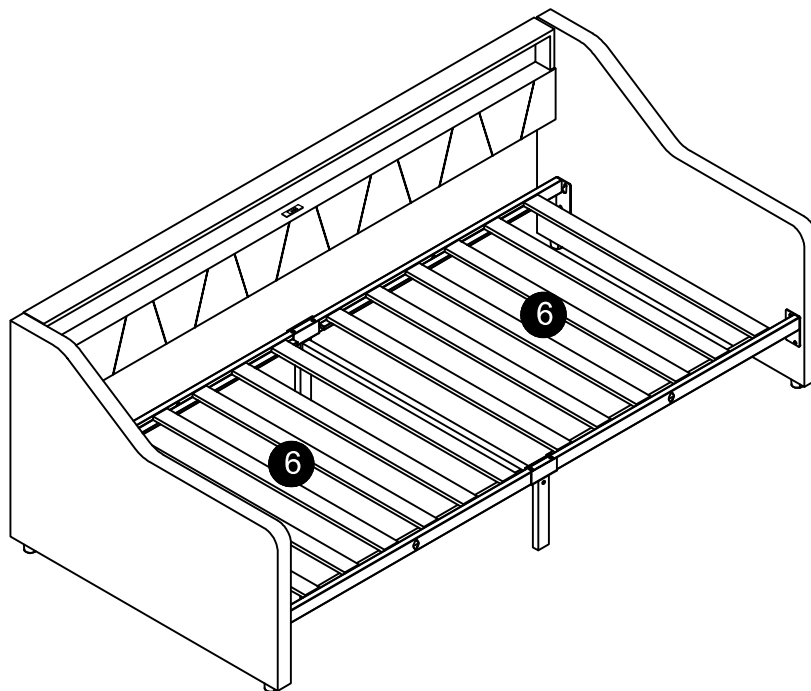
5

D M8*45

 X4

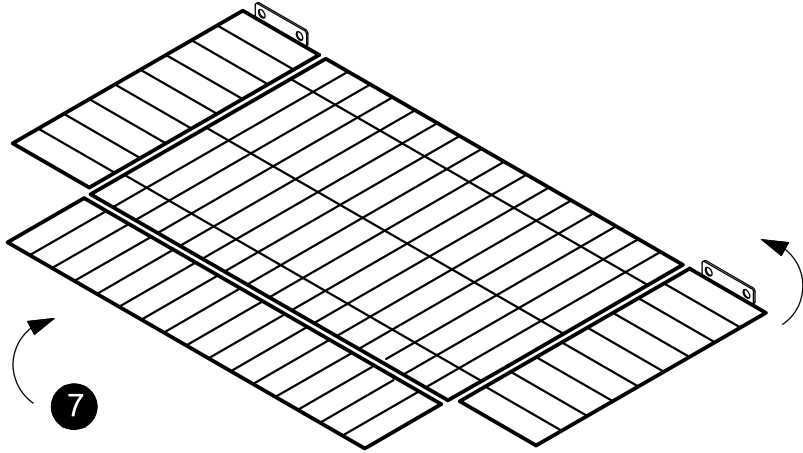


6



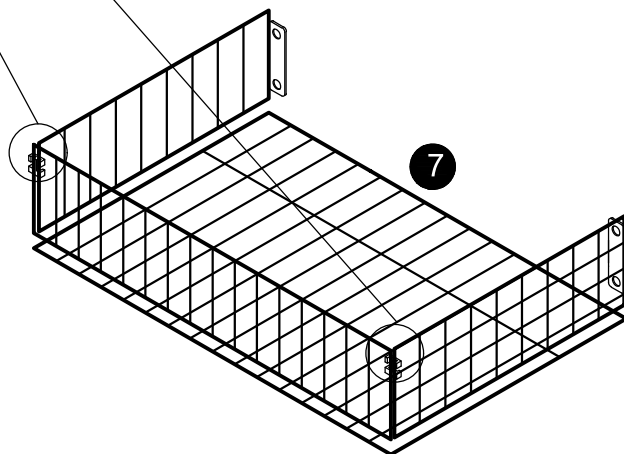
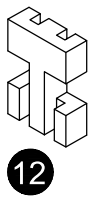
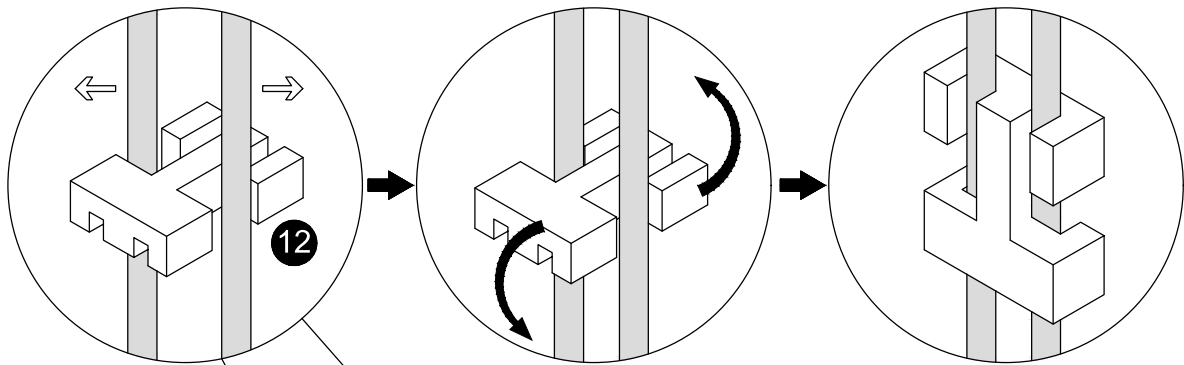
Assembly Instruction

7



X2

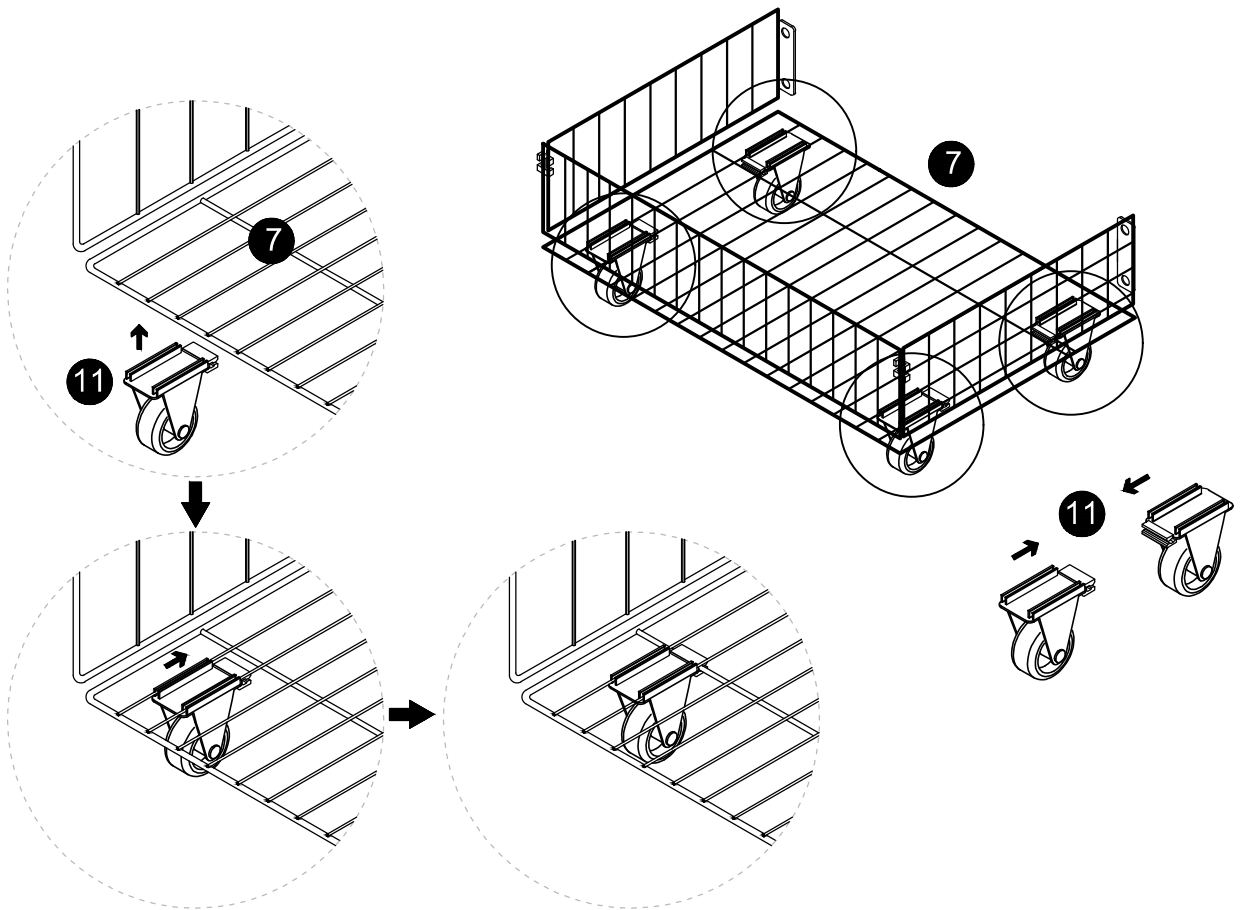
8



X2

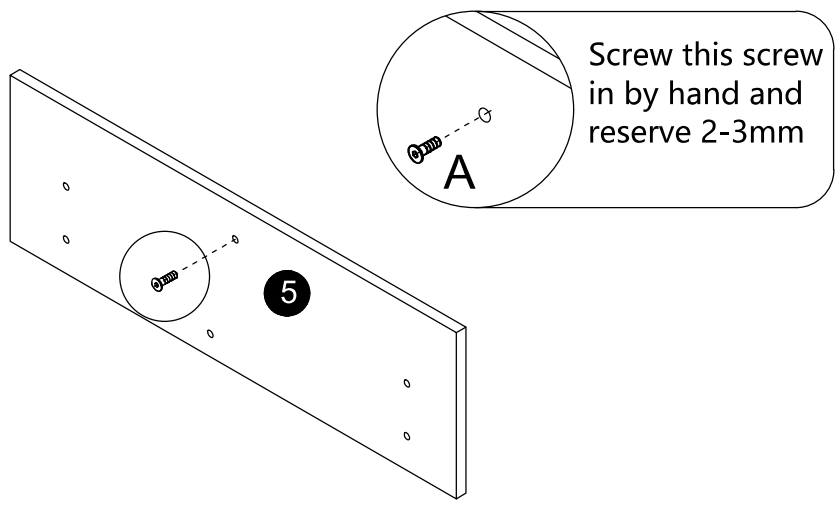
Assembly Instruction

9



10

A M6*15
X2



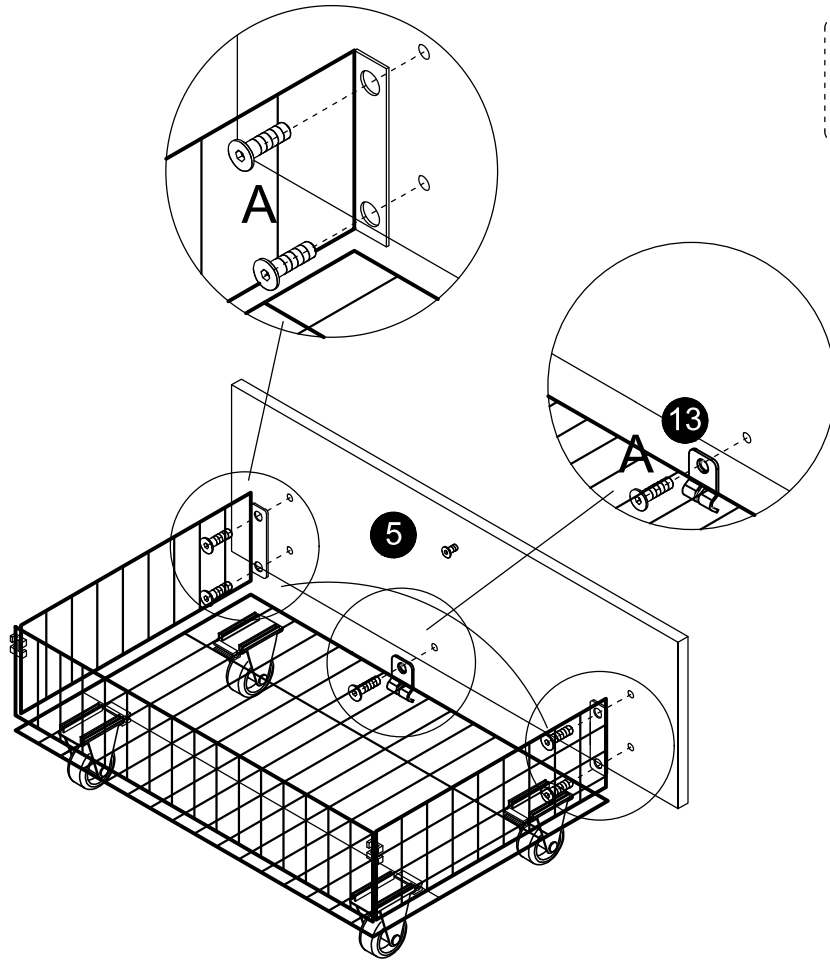
X2

Assembly Instruction

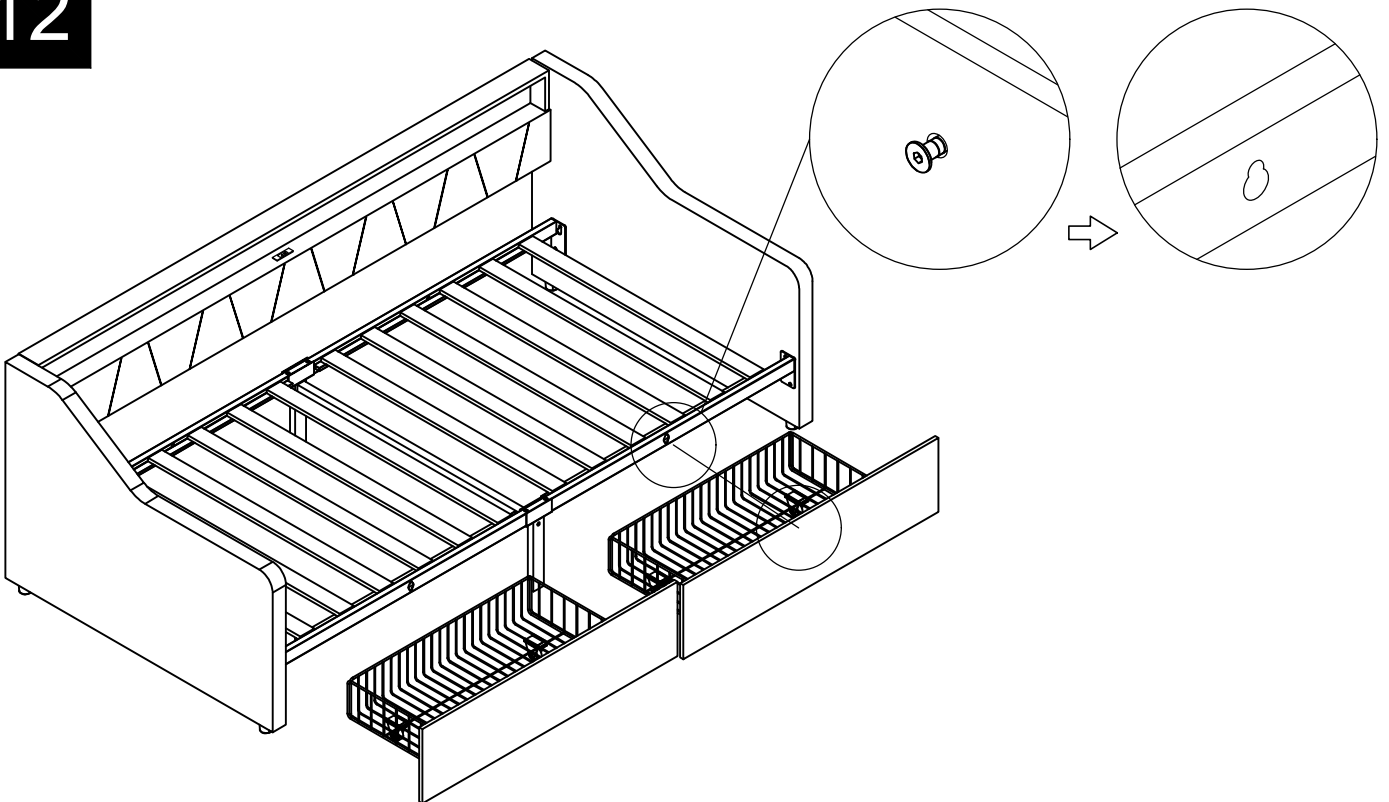
11

A M6*15
X10

X2

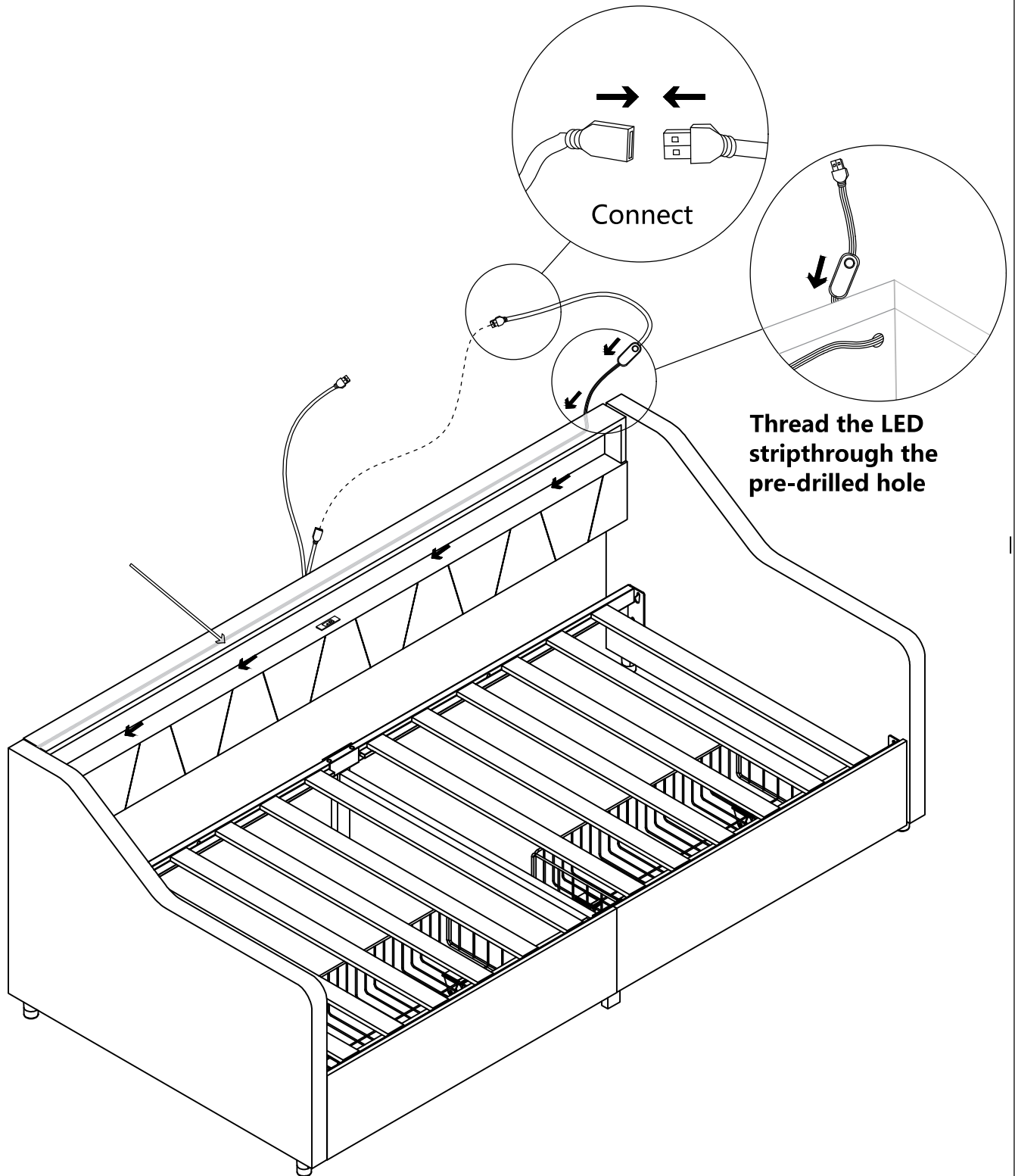


12



Assembly Instruction

13



Attestation of Compliance



Attestation No. : LCSA08094161E

Approval Holder : Shenzhen Pinchengxin Technology Co., Ltd

Address : 3rd floor, 8 building Yuanling industrial zon, No. 39 Yuanlingcun road, Shiyen street, Bao'an district, Shenzhen

Manufacturer : Shenzhen Pinchengxin Technology Co., Ltd

Address : 3rd floor, 8 building Yuanling industrial zon, No. 39 Yuanlingcun road, Shiyen street, Bao'an district, Shenzhen

Brand Name : N/A

Product : 5050 RGB LED Strip Lights with Bluetooth App Controller

Type/Model Name : 5050 RGB

H/S Version : HW: 1.0
SW: 1.0

Attestation of the technical design of the radio equipment according to the following essential requirements set out in article 3 of the RED 2014/53/EU:

Article 3.1a): Health and Safety	Conform
Article 3.1b): Electromagnetic Compatibility	Conform
Article 3.2: Effective Use of the Radio Spectrum	Conform
CE-marking	

Marking Example (Class 1)



This attestation is issued in accordance with the Directive 2014/53/EU of the European Parliament and of the Council of 16 April 2014 on the harmonisation of the laws of the Member States relating to the making available on the market of radio equipment.

September 18, 2024

Date of issue



Manager

Shenzhen LCS Compliance Testing Laboratory Ltd.
Room 101, 201, Building A and Room 301, Building C, Juji Industrial Park, Yabianxueziwei, Shajing Street,
Bao'an District, Shenzhen, Guangdong, China
Tel: (86)0755-82591330 Fax: (86)0755-82591332
Http://www.lcs-cert.com Email: webmaster@lcs-cert.com



Shenzhen ZKT Technology Co., Ltd.
 1/F, No. 101, Building B, No. 6, Tangwei Community Industrial Avenue,
 Fuhai Street, Bao'an District, Shenzhen, China



Certificate of Compliance

Certificate Number: ZKT-2405094943C

- Certificate' s Holder** : Shenzhen Pinchengxin Technology Co., Ltd
 3rd Floor, 8th Building Yuanling Industrial Zone, No. 39
 Yuanlingcun Road, Shiyan Street, Bao'an District,
 Shenzhen
- Manufacturer** : Shenzhen Pinchengxin Technology Co., Ltd
 3rd Floor, 8th Building Yuanling Industrial Zone, No. 39
 Yuanlingcun Road, Shiyan Street, Bao'an District,
 Shenzhen
- Trade Mark** : N/A
- Product** : 5050 RGB LED Strip Lights with Bluetooth App Controller
 and 2.4G Remote
- Model(s)** : 5050 RGB LED Strip Lights
- Test Standard** :

Art.3.1(a)	Safety	BS EN IEC 62368-1:2020+A11:2020
Art.3.1(a)	Health	BS EN IEC 62311:2020 BS EN 50665:2017
Art.3.1(b)	EMC	ETSI EN 301 489-1 V2.2.3 (2019-11) ETSI EN 301 489-17 V3.2.4 (2020-09)
Art.3.2	Radio	ETSI EN 300 328 V2.2.2 (2019-07)

This Attestation of Compliance is issued on a voluntary basis for electrical equipment below the voltage limits of Radio Equipment Directive (RED) SI 2017 No.1206. The essential requirement are fulfilled accordingly based on the technical specifications applicable at the time of issuance.



This Certificate of Conformity is based on single evaluation of the submitted sample(s) of the above mentioned product. It does not imply an assessment of the whole product and relevant Directives to be observed.

Shenzhen Pinchengxin Technology Co., Ltd

Federal Communications Commission
Authorization and Evaluation Division
Equipment Authorization Branch
7435 Oakland Mills Road
Columbia, MD 21046

9/2/2024

U.S. Agent Designation

Shenzhen Pinchengxin Technology Co., Ltd acknowledges their consent for the following contact located in the United States to act as their agent for service of process for the equipment for which authorization is sought (FCC ID: **2BKKLPCX-977**):

Name and company of U.S. agent: FCC US Agent, LLC
Physical U.S. address of agent: 3722 Illinois Avenue, Saint Charles, IL, 60174, USA
FRN of U.S. agent: 0033402884
Email address of U.S. agent: Support@FCCUSAgent.com

FCC US Agent, LLC acknowledges their obligation to accept service of process on behalf of **Shenzhen Pinchengxin Technology Co., Ltd**.

Shenzhen Pinchengxin Technology Co., Ltd with the FRN 0035866896 accepts its obligation to maintain an agent for service of process in the United States for no less than one year after either the grantee has permanently terminated all marketing and importation of the applicable equipment within the U.S., or the conclusion of any Commission-related administrative or judicial proceeding involving the equipment, whichever is later.

By signing this form, we confirm the above and that we are aware of the application requirements listed under § 2.911(d)(7).

The information provided in this letter is based on the referenced rule parts of Title 47 of the CFR as well as KDB 986446 D01.

An expiration date for this letter does not exist. In case the U.S. agent changes, the grantee is obligated to notify the FCC within 30 days via the granting TCB.

Sincerely,

CHENG ZHANG

Signature
CHENG ZHANG
Manager
Shenzhen Pinchengxin Technology Co., Ltd

Tim Payne
Digitally signed by Tim Payne
DN: cn=Tim Payne, o=FCC US Agent, LLC, ou=FCC US Agent, LLC, email=support@fccagent.com, c=US
Date: 2024.09.02 10:24:00 -0400

Signature
Tim Payne
Manager
FCC US Agent, LLC

Registration No. : WTN25N04079438
Reference No. : WTN25N04079438E
Applicant : Guangdong Zhangong Electric Technology Co., LTD
Address : 701, Building 29, Zhifuyuan Industrial Zone, Xingtan Town, Shunde District, Foshan City, Guangdong Province
Manufacturer : Same as applicant
Address : Same as applicant
Product : Furniture socket
Model No. : ZG-USB-O01A, other details see attachment
Technical data : 250 Vac, 50 / 60 Hz, other details see attachment



Test Standards:

EN 55032:2015+A1:2020
EN 55035:2017+A11:2020
EN IEC 61000-3-2:2019+A1:2021+A2:2024
EN 61000-3-3:2013+A1:2019+A2:2021

The above product has been tested by us with the listed standards and found in compliance with the European Electromagnetic Compatibility Directive 2014/30/EU. It is possible to use CE marking to demonstrate the compliance with this EMC Directive.

EN 55032: Electromagnetic compatibility of multimedia equipment - Emission Requirements
EN 55035: Electromagnetic compatibility of multimedia equipment - Immunity requirements
EN IEC 61000-3-2: Electromagnetic compatibility (EMC) - Part 3-2: Limits - Limits for harmonic current emissions (equipment input current ≤ 16 A per phase)
EN 61000-3-3: Electromagnetic compatibility (EMC) -Part 3-3: Limits -Limitation of voltage changes, voltage fluctuations and flicker in public low-voltage supply systems, for equipment with rated current ≤ 16 A per phase and not subject to conditional connection

The referred test report(s) show that the product complies with standard(s) recognized as giving presumption of compliance with the essential requirements in the above mentioned EU Directive. Other relevant Directives have to be observed.

After preparation of the necessary technical documentation as well as the EU Declaration of Conformity, the CE marking as shown below can be affixed on the equipment under the sole responsibility of the manufacturer.



The statement is based on a single evaluation of the sample of above mentioned product. It does not imply an assessment of the whole production.

Waltek Testing Group (Ningbo) Co., Ltd.

Hotline: 400-840-2288 E-mail: nb@waltek.com.cn

Http://www.waltek.com.cn

Ver.10.24, WALTEK is registered trademark. Utilization and application requires prior approval.

Attachment

Model list



Reference No: WTN25N04079438E

No.	Model	Rated Input	Rated Output Voltage	Max Output Current	Max Power
1.	ZG-USB-O01A	250 Vac, 50 / 60 Hz	5 Vdc	2.1 A	10 W
2.	ZG-USB-Y01A	250 Vac, 50 / 60 Hz	5 Vdc	2.1 A	10 W
3.	ZG-USB-O02A	250 Vac, 50 / 60 Hz	5 Vdc	2.1 A	10 W
4.	ZG-USB-Y02A	250 Vac, 50 / 60 Hz	5 Vdc	2.1 A	10 W
5.	ZG-USB-O01B	250 Vac, 50 / 60 Hz	5 Vdc	2.1 A	10 W
6.	ZG-USB-Y01B	250 Vac, 50 / 60 Hz	5 Vdc	2.1 A	10 W
7.	ZG-USB-O02B	250 Vac, 50 / 60 Hz	5 Vdc	2.1 A	10 W
8.	ZG-USB-Y02B	250 Vac, 50 / 60 Hz	5 Vdc	2.1 A	10 W

