

Parts and Damage Replacement Procedure

1. Please inspect your purchase immediately.
2. This procedure covers product purchased from an authorized Roundhill Reseller and was received in its originally sealed carton.
3. If you find a part missing or damaged, you have a 30-day window in which to order a replacement part from the date on your purchase receipt.
4. You have 3 ways to do this. You will need a copy of your purchase receipt.
 - a. By Fax: Fax the parts order form below and along with your receipt
 - b. By Email: Email the order form and along with your receipt
 - c. By Mail: Fill out the parts order form below and along with a copy of your receipt send it
5. Once this order is sent in, you will be notified if the part(s) you are requesting can or cannot be shipped within 7-10 business days.

CARING FOR YOUR FURNITURE

Protect your investment

- The beauty of furniture care is that it helps to protect your investment, as fine furniture is an important purchase
- Proper care will help maintain your furniture's finish and ensure that it looks great year after year

• Caring for furniture

- Caring furniture is easy. Following a few simple guidelines will help extend the life of your furniture

- Always dust with a cloth moistened with polish. Polish cushions the cloth, eliminating the scratching that occurs with dry dusting. Dust will scratch furniture if not removed quickly. Use a soft clean cloth that won't scratch the surface. Avoid coarse or scratchy materials or fabrics
- Avoid using soap and water on furniture. Water can penetrate the finish and raise the grain on wood that cause damage to furniture.

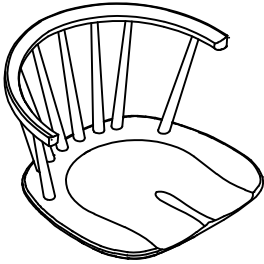
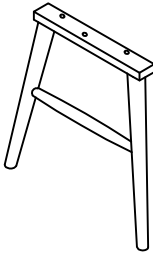
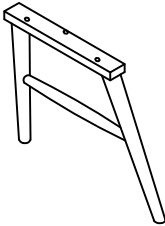
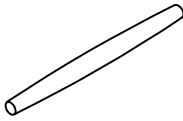


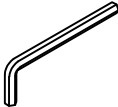

• The Enemies Of Furniture

- Many common problems in furniture care are caused by the elements. If you are aware of these trouble makers the resulting damage can easily be avoided

- Sunlight's ultraviolet rays can damage wood finishes. Arrange furniture out of direct sunlight use sun screening intense sunlight hours rotate furniture in place and room arrangement
- Liquid spills will damage furniture if not removed promptly. Use coasters under beverage glasses and saucers under cups and flowerpots. If a spill occurs. Immediately blow it gently without rubbing the surface.
- Heat creates a chemical change in the furniture finish. Which can result in a white spot. Use protective mats under hot dishes, utensils or cooking appliances
- Cyclic changes in temperature can damage furniture. Placing furniture near to central heating radiator and air dust should be avoided because this causes extreme localized drying of the wood

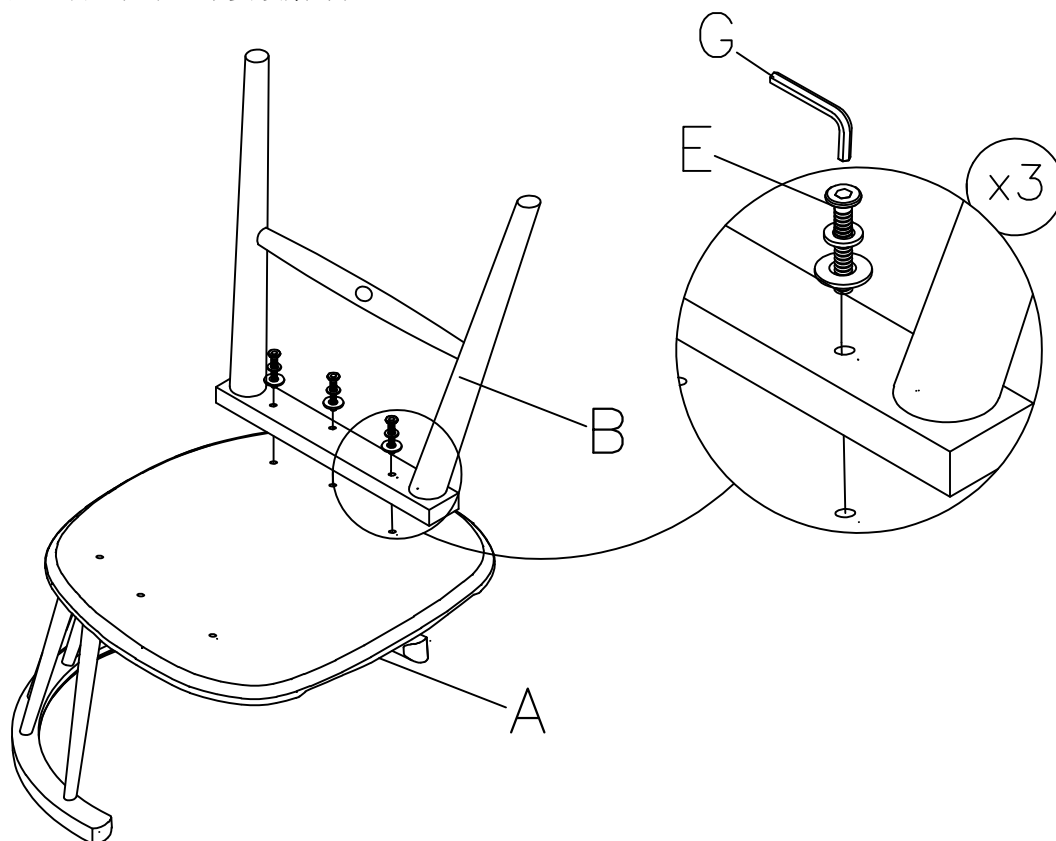
• Tips For Better Dusting

- Be sure to use the same type of polish consistently. Your furniture will appear cloudy or streaky if oil based or wax based polishes are interchange
- Always use a fine furniture polish when dusting. Never dry dust as it could cause scratches on your furniture's surface. Remember to change dusting cloths frequently since a dirty cloth may scratch your furniture's surface.
- Spray your furniture surface evenly but not too generously. Wipe in a circular motion with a soft clean cloth.
- Then buff until completely dry for a beautiful shine and smudge free finish. For wood trim spray polish on the cloth first then dust.

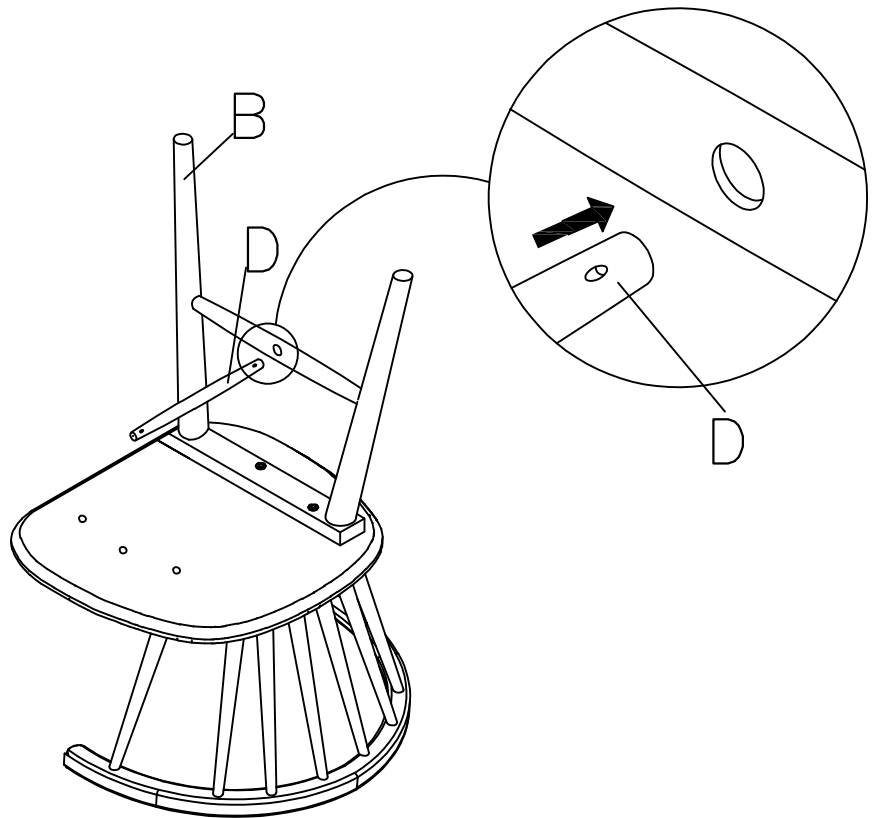
<p>A x 1</p> 	<p>B x 1</p> 	<p>C x 1</p> 	<p>D x 1</p> 
<p>E x 6</p>  <p>1/4"x35mm</p>	<p>F x 2</p>  <p>#4x30mm</p>	<p>G x 1</p>  <p>4mm</p>	 <p>Not Included No Se Adjunto Non Indus 不提供此工具</p>

- ⚠ NOTE: UNIT SHOULD BE ASSEMBLED BY TWO OR MORE PEOPLE. DO NOT TIGHTEN ANY BOLTS UNTIL ALL BOLTS HAVE BEEN STARTED!
- ⚠ NOTA: IESTA UNIDAD DEBE SER ARMADA POR 2 O MAS PERSONAS! NO APRIETE NINGUN PERNO HASTA QUE TODOS ESTEN EN SU LUGAR!
- ⚠ REMARQUE: LE MEUBLE DOIT ETRE ASSEMBLÉ PAR DEUX PERSONNES OU PLUS. NE BLOQUER AUCUNE VIS TANT QUE VOUS N'AVEZ PAS COMMENCE A TOUTES LES DEMARRER!
- ⚠ 注意：产品应由两个或者两个以上的人员组装。在产品组装过程中，不要锁紧螺栓！

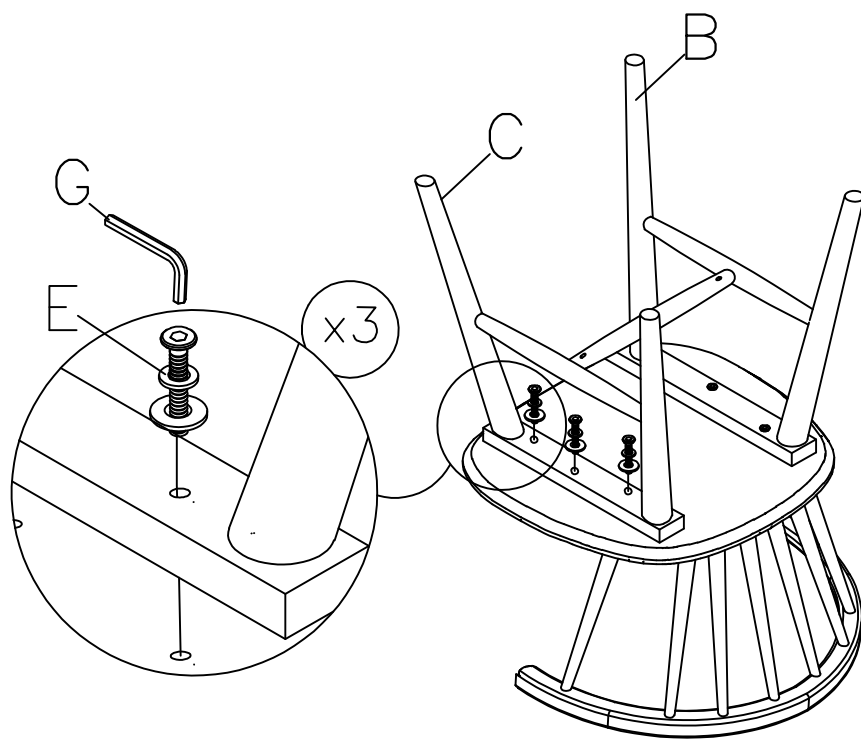
1



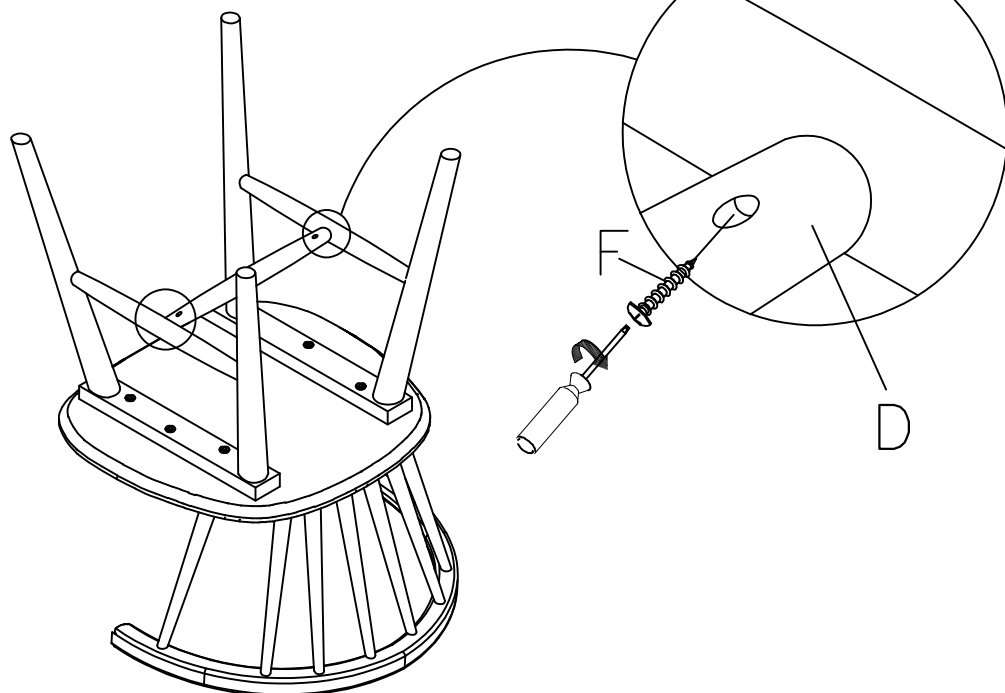
2



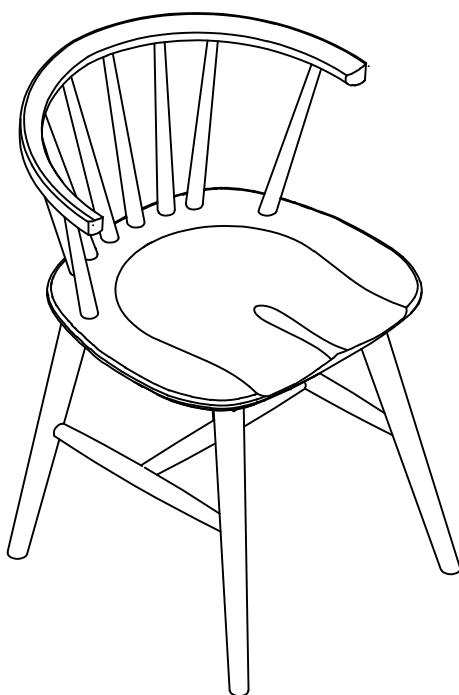
3



④



⑤



NOTE: Level the chair and tighten all bolts with the allen wrench.

NOTA: Nivele la silla y aprete todos los pernos con la llave allen.

REMARQUE: Mettez la chaise droite et serrez tous les boulons avec les clés allen.

注意：如果发现椅子不稳，请用内六角扳手拧紧所有螺杆。