

ASSEMBLY INSTRUCTION

Before beginning

! Unpack all parts and hardware to ensure you have all needed components for assembly.

! Read this guide cover before beginning assembly.

! Assemble this item on a soft surface such as carpet to protect finish.

! Proper assembly of this item requires 2 people & 20 minutes to assembly.

CARE INSTRUCTIONS

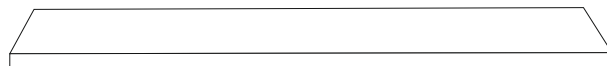
Wipe with a soft, dry cloth. To protect finish, avoid the use of chemicals and household cleaners, Any liquid spilled in the table should

Be cleaned up immediately with a damp cloth.

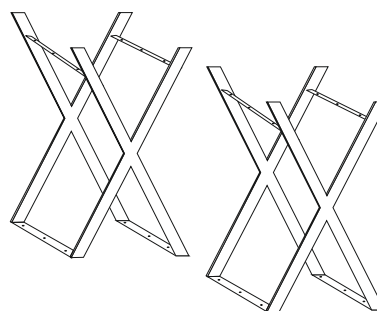
A



B



C



HOW TO ASSEMBLY

STEP-1 Place the Cocktail Table top upside down on rug.




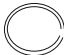
STEP-2 Match marking A with A,C with C respectively

STEP-3 Insert allen bolt E with spring washer G and flat washer F then tighten with allen key D.

STEP-4 Match marking B with A,C with B respectively

STEP-5 Insert allen bolt E with spring washer G and flat washer F then tighten with allen key D.

STEP-6 Turn the Cocktail Table upside down
Cocktail Table is ready to use.

No.	Sketch	Description.	Size (IN)	Qty.	Ext.
D		ALLEN KEY	0.19	1	1
E		ALLEN BOLT	0.31X0.18	24	1
F		WASHER	0.35X1	24	1
G		SPRING WASHER	0.35X0.5	24	1

Tip for leveling of product:
When the product rests on an uneven floor surface
it will appear to be unbalanced. To aid in leveling, try
adjusting the levelers on the bottom of each foot.

